



Drywall Contura
Perimeter Trims

Installation Instructions



PART 1 - STORAGE AND HANDLING

1. After receiving materials, transfer material immediately to a safe, dry, climate-controlled place where it will not be damaged during storage.
 - a. Do not store Gordon, Inc. product or components outdoors.
 - b. Store Crates and / or Cartons flat in a dry location away from activity.
 - c. Do not store near corrosive material such as acids, salt, fertilizer, etc.
 - d. All materials should be protected during site storage to prevent damage to the finished work from other trades.
 - e. Store materials inside a well-insulated area, away from concrete and masonry and protected from the weather, moisture, soiling, abrasion, extreme temperatures and humidity.
 - f. Protect the strippable protective covering on metal panels from exposure to sunlight, heat, and high humidity.
 - g. Store product in Gordon's unopened packaging until installation of product.
 - h. Prevent contact with material that may cause discoloration, staining, or corrosion.
 - i. Store in flat, fully supported position.
 - j. Store to prevent twisting, bending, abrasion, scratching, and denting.
 - k. Do not drop or stand containers on edges or corners.
 - l. Gordon, Inc. components and systems are not packaged to receive the load of any other material stored or stacked upon it. Therefore, **DO NOT DOUBLE STACK OR STORE OTHER MATERIAL** on top of the packages or crates.
2. Inspect all material prior to installation. Do not install any substandard or unacceptable material. Gordon, Inc. will not be responsible for the cost of repair or removal, or costs resulting from removal of rejected material, or the installation of replacement material.
3. Material should be cleaned thoroughly prior to installation.

PART 2 - INSTALLATION

Drywall Contura shall be installed in accordance with ASTM C-636, "Installation of Metal Ceiling Suspension Systems for Acoustical Tile and Lay-In Ceilings". Below is recommended installation sequence.

NOTE: Drywall Contura features a tapered, grooved, perforated fin for bonding of drywall compound that is post-applied to a gypsum board surface. Drywall Contura offers concealed fastening of protective and decorative aluminum trim edging and the method of installation is detailed in Section 2.03

2.01 - APPLICABLE CODES AND STANDARDS FOR INSTALLATION

1. Project specifications
2. Architect approved shop drawings
3. American Society for Testing and Materials (ASTM)
 - ASTM C-636: Installation of Metal Ceiling Suspension Systems for Acoustical Tile and Lay-In Ceilings

2.02 - SPECIAL TOOLS REQUIRED

- Compound miter saw fitted with a carbide-tipped blade designed for cutting non-ferrous metals

2.03 - INSTALLATION SEQUENCE

Step 1:

Insert the splice plates at the ends of the trim at the vertical trim bosses. Ensure that the splice plates are centered on the joint for the connection to the next trim piece, and tighten the allen set screw.

Step 2:

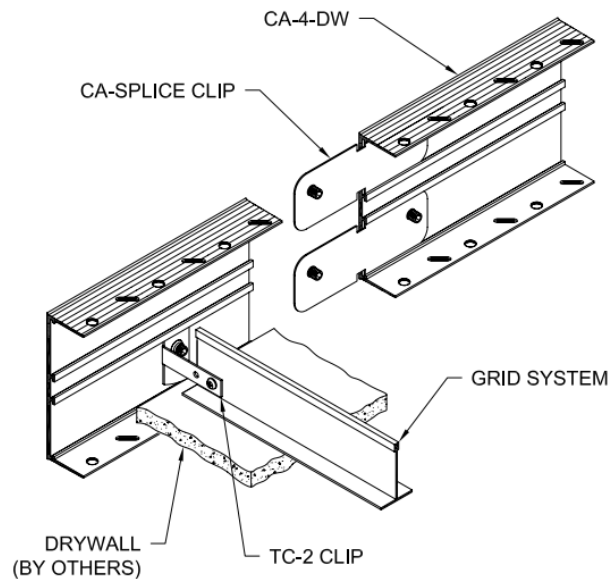
The ceiling grid should already be installed using the typical installation methods according to the reflected ceiling plan (RCP). The ends of the grid should be cut to the appropriate length in order to accept the Drywall Contura trim.

Step 3:

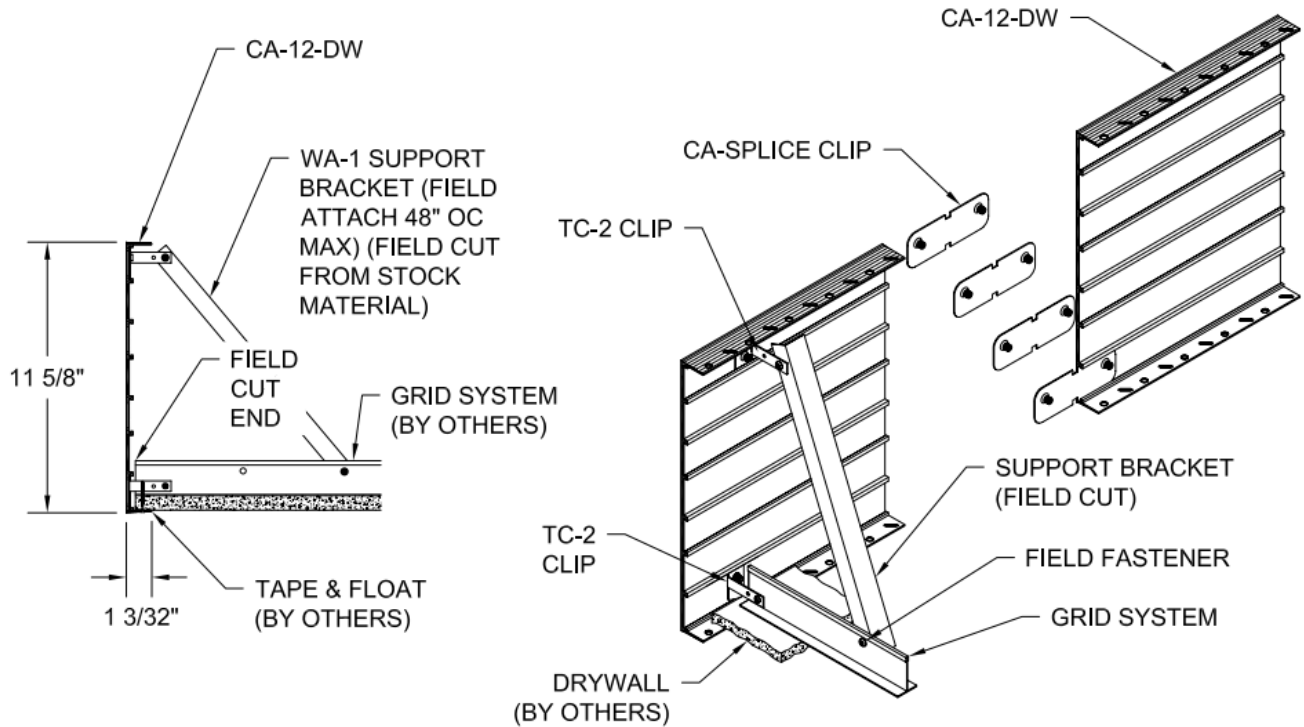
Twist in the TC-2 clip into the boss at the appropriate locations in order to secure attachment to the grid.

Step 4:

Position the grid to rest inside the horizontal flange of the trim. Ensure there is proper space for drywall panel (gypsum board) to fit between the Drywall Contura Taping Flange and the grid. Attach the TC-2 clip to the grid with a TEK screw.



When installing Drywall Contura profiles that are 8" or taller, it is recommended to utilize additional bracing. A wall angle can be supplied and field cut. Support brackets should be positioned at 48" O.C. as shown in figure below.



Step 5:

Tighten the allen set screw onto the TC-2 clip in the trim boss.

Step 6:

The grid is typically suspended with hanger wire approximately 5" from the end of the grid and the perimeter trim. Drywall Contura should be level when installed.

Step 7:

Position edge of drywall (gypsum board) panels between the Drywall Contura taping flange and the grid. Screw-attach the drywall (gypsum board) panels to the suspension grid.

Step 8:

Attach the Drywall Contura taping flange to the drywall (gypsum board) panels with screws applied through round holes 8" – 24" O.C. maximum with standard bugle head drywall screws. Screws should tap suspension grid where possible. Use screws 5/8" minimum

longer than thickness of drywall (gypsum board) panels. Heavy duty staples may also be used. Check for protrusion of screw heads by drawing a finishing knife across the entire surface length

Step 9:

Wipe metal with dry cloth or thinner to remove dust, dirt, or oils picked up in transit, handling, or installation prior to taping, mudding, and painting.

Step 10:

Tape with fiberglass tape and bed with standard drywall joint procedures. Take care to assure that tape does not overlap the Drywall Contura Taping Flange shoulder.

Step 11:

After proper curing of initial coat (usually 24 hours), apply final skim coat with an 8" wide flexible metal trowel. Run one edge of the trowel along the shoulder of the Taping Flange and the other edge along the gypsum board surface to obtain a flat appearance. Three (3) coats of drywall mud are generally recommended.

Step 12:

Clean excess compound from exposed portion of Trim. Finish sand and "feather" joint with #220 grit sandpaper.

Step 13:

Apply paint or wall covering according to Manufacturers' instructions.

2.04 - IF FIELD CUTTING IS REQUIRED

Step 1:

If field cutting is required, utilize a fine-tooth metal cutting saw blade on a chop saw that is capable of turning 4,000 rpm and making a square cut across an 8" surface. Be sure to use a wax stick or similar type lubricant on the saw blade prior to cutting.

Step 2:

Apply masking tape to the Drywall Contura at the approximate location where you are cutting and draw the cut line on the tape. This is done in order to reduce finish damage due to the saw blade.

Step 3:

Make the cut and remove the masking tape.

Step 4:

Use the optional touch-up kit if needed if the material has any damage to the factory paint finish. Factory-welded 90-degree inside and outside corners are available if you need them.

GORDON[®]
ARCHITECTURAL+ENGINEERED SOLUTIONS

5023 HAZEL JONES ROAD
BOSSIER CITY, LA 71111
800-747-8954

WWW.GORDON-INC.COM
SALES@GORDON-INC.COM

