



ACOUSTICEL™
ACOUSTICAL SECURITY WALLS

INSTALLATION INSTRUCTIONS

GORDON
ARCHITECTURAL+ENGINEERED SOLUTIONS



PART 1 - STORAGE AND HANDLING

1. After receiving materials, transfer material immediately to a safe, dry, climate-controlled place where it will not be damaged during storage.
 - a. Do not store Gordon, Inc. product or components outdoors.
 - b. Store Crates and / or Cartons flat in a dry location away from activity.
 - c. Do not store near corrosive material such as acids, salt, fertilizer, etc.
 - d. All materials should be protected during site storage to prevent damage to the finished work from other trades.
 - e. Store materials inside a well-insulated area, away from concrete and masonry and protected from the weather, moisture, soiling, abrasion, extreme temperatures and humidity.
 - f. Protect the strippable protective covering on metal panels from exposure to sunlight, heat, and high humidity.
 - g. Store product in Gordon's unopened packaging until installation of product.
 - h. Prevent contact with material that may cause discoloration, staining, or corrosion.
 - i. Store in flat, fully supported position.
 - j. Store to prevent twisting, bending, abrasion, scratching, and denting.
 - k. Do not drop or stand containers on edges or corners.
 - l. Gordon, Inc. components and systems are not packaged to receive the load of any other material stored or stacked upon it. Therefore, **DO NOT DOUBLE STACK OR STORE OTHER MATERIAL** on top of the packages or crates.
2. Inspect all material prior to installation. Do not install any substandard or unacceptable material. Gordon, Inc. will not be responsible for the cost of repair or removal, or costs resulting from removal of rejected material, or the installation of replacement material.
3. Material should be cleaned thoroughly prior to installation.

PART 2 - INSTALLATION

Acoustical materials shall conform to the latest edition of reference standards or construction documents listed below, and to applicable codes and requirements of local authorities having jurisdiction. Whenever a conflict occurs, consult the project architect as to which requirements shall apply.

2.01 - APPLICABLE CODES AND STANDARDS FOR INSTALLATION

1. Project specifications
2. Architect approved shop drawings

2.02 - FIELD CUTTING

AcustiCel™ can be cut with the use of the following tools:

- Industrial use circular saw with metal cutting wheel
- "Port-a-band" saw
- Hand-held nibblers or shears

SAFETY PRECAUTIONS:

- Refer to tool manufacturer's detailed guides for proper selection and safe operation of all tools and equipment.
- Gloves should be worn to prevent injury while handling panels.
- Safety glasses should be worn to prevent eye injury when cutting or drilling steel or aluminum panels.

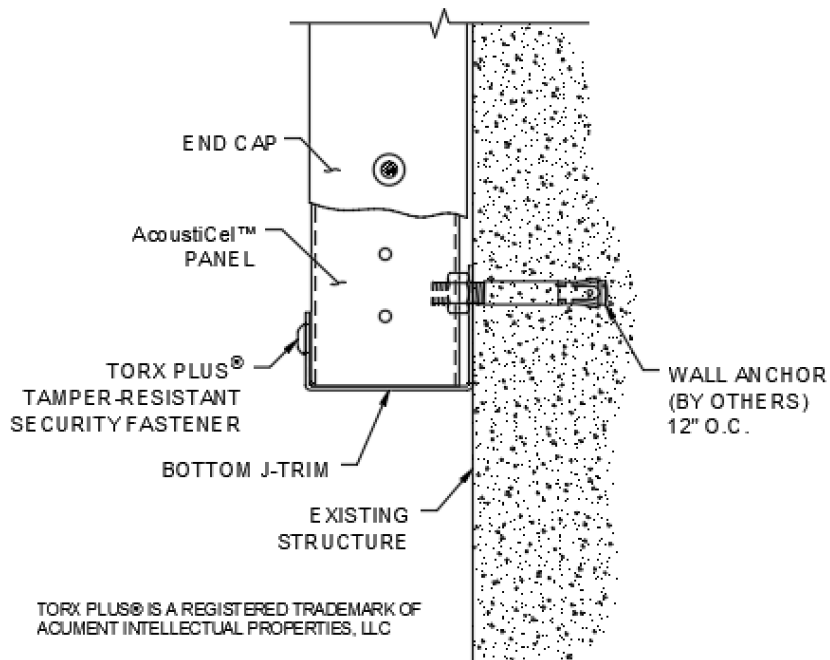
2.03 - TOUCH-UP PAINT

- Touch-up paint is available by request, contact Gordon, Inc. at 800-747-8954.
- Use of touch-up paint on powder coated AcoustiCel™ materials should be limited and avoided where possible, as this air-dry, water-based paint is not as durable, and may appear slightly different in color and gloss level than the original finish.

2.04 - TYPICAL ACOUSTICEL™ MODULE:

1. Review completely and comply with the contract documents, the approved shop drawings, and Gordon, Inc.'s AcoustiCel™ Installation Instructions.
2. Secure Bottom J-Mount 12" on center at planned height above floor using correct fasteners for substrate. Fasteners provided by installing contractor.
3. Mount hanger strip 3" lower than Top J-Trim outside finish dimension. Example: Installed height of Top J-Trim 96" install bottom of hanger at 93" above Bottom J-Trim. (See Figure A).
4. Place acoustical pads inside panels.
5. Place panels consecutively in Bottom J- Trim. Use one Temporary Clip per panel to secure panel to hanger strip.
6. After all panels are placed in Bottom J-Trim and abutting, use strapping/bracing (by others) of some kind to secure all panels to wall.
7. Remove temporary clips.
8. Place Top J-Trim over panels and slide downward until completely engaged with hanger strip.
9. Remove strapping/bracing.
10. Secure panels through face of top and bottom J-trims using supplied Torx Plus® screws 6" on center.
11. Secure end caps to each side of end panels using supplied Torx Plus® screws 24" on center.
12. Clean and touch-up finished material as required.

PART 3 – ILLUSTRATIONS:



BOTTOM J-TRIM DETAIL

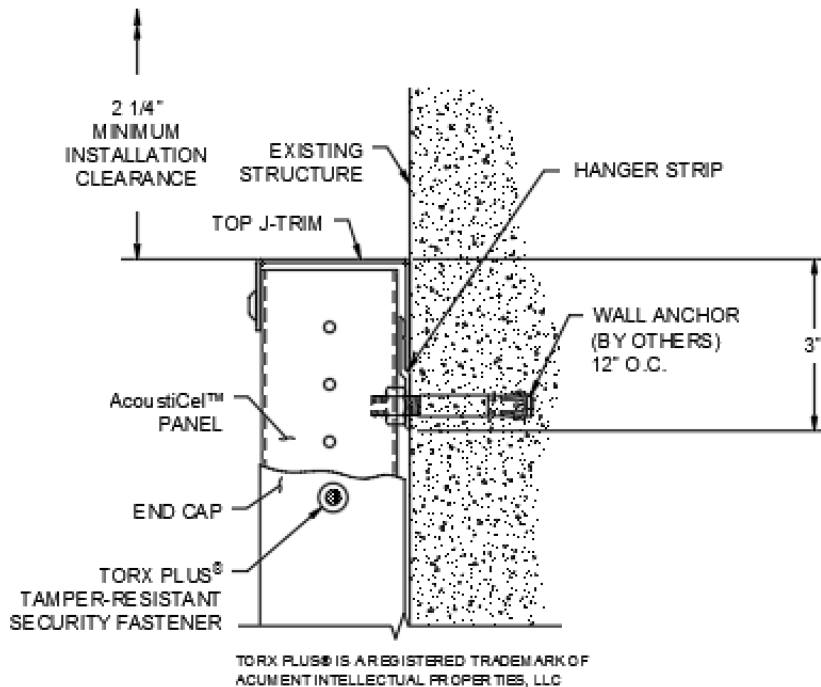
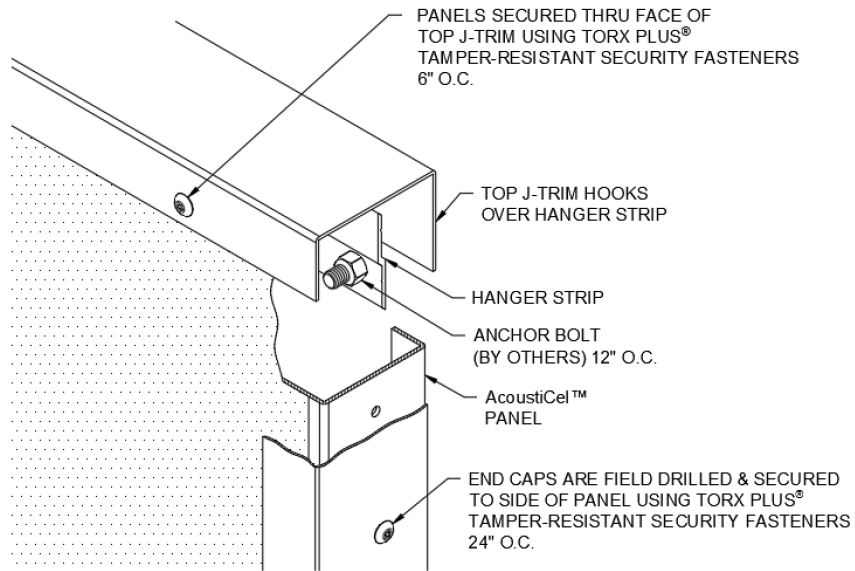
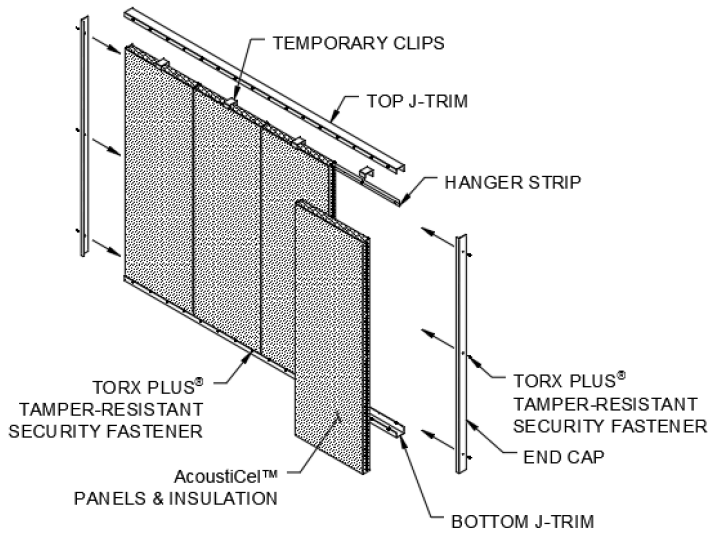


Figure A: LOCATING HANGER STRIP TOP J-TRIM DETAIL



TORX PLUS® IS A REGISTERED TRADEMARK OF ACUMENT INTELLECTUAL PROPERTIES, LLC

TYPICAL AcoustiCel™ ISOMETRIC TOP



TORX PLUS® IS A REGISTERED TRADEMARK OF ACUMENT INTELLECTUAL PROPERTIES, LLC

NOTE: BEFORE REMOVING TEMPORARY CLIPS TO INSTALL TOP J-TRIM, PANELS SHOULD BE HELD IN PLACE WITH STRAPPING / BRACING (BY OTHERS)

TYPICAL OVERALL AcoustiCel™™ ASSEMBLY

GORDON[®]
ARCHITECTURAL+ENGINEERED SOLUTIONS

5023 HAZEL JONES ROAD
BOSSIER CITY, LA 71111
800-747-8954

WWW.GORDON-INC.COM
SALES@GORDON-INC.COM

