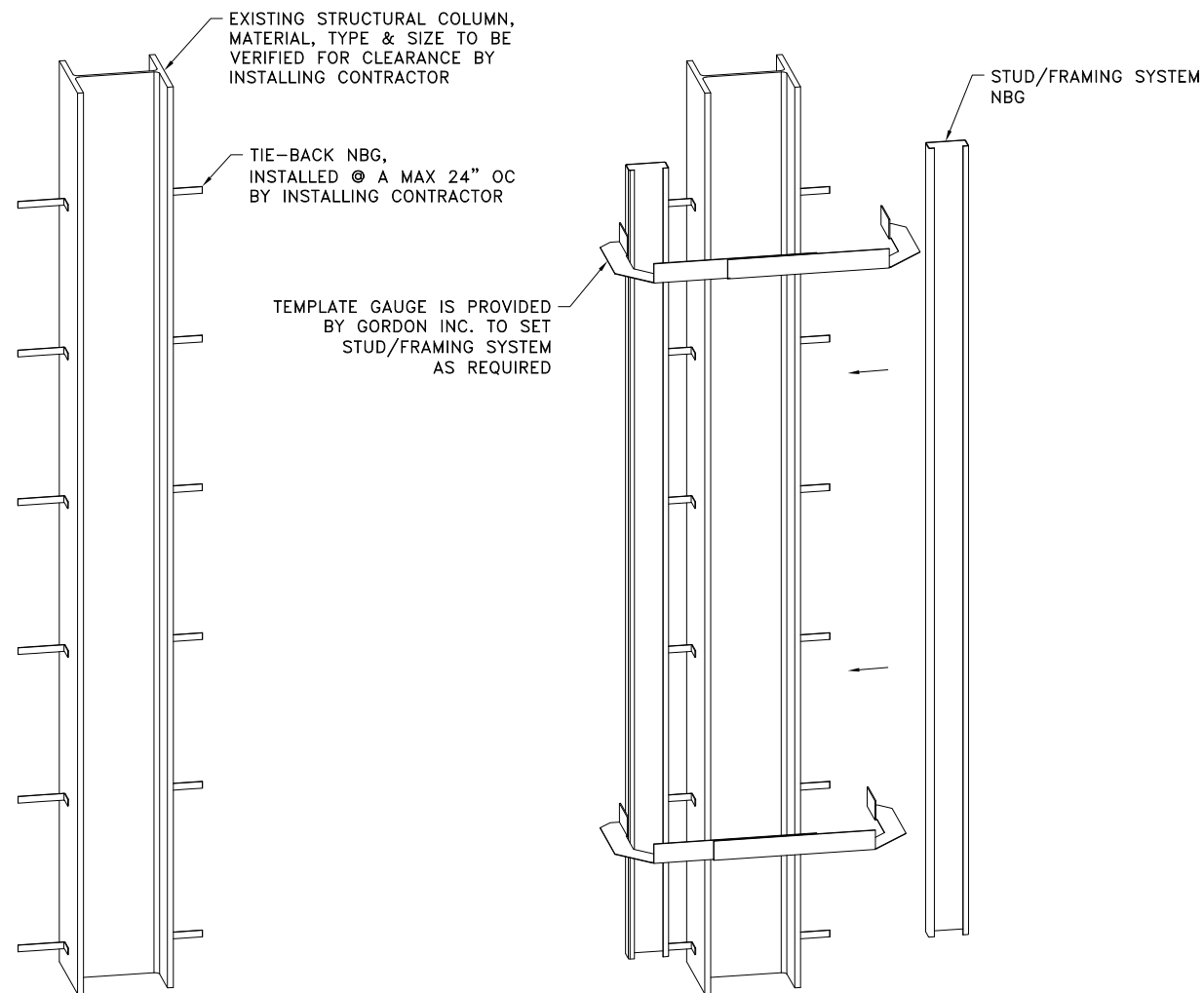


PLAN VIEW  
NOT TO SCALE



STEP 1

INSTALL FIELD TIE BACKS @ A MAX 24" OC BY INSTALLING CONTRACTOR

STEP 2

USE TEMPLATE GAUGE TO ALIGN AND SET STUD/FRAMING SYSTEM

STEP 3

SECURE STUD/FRAMING SYSTEM TO TIE-BACKS AS REQUIRED BY INSTALLING CONTRACTOR

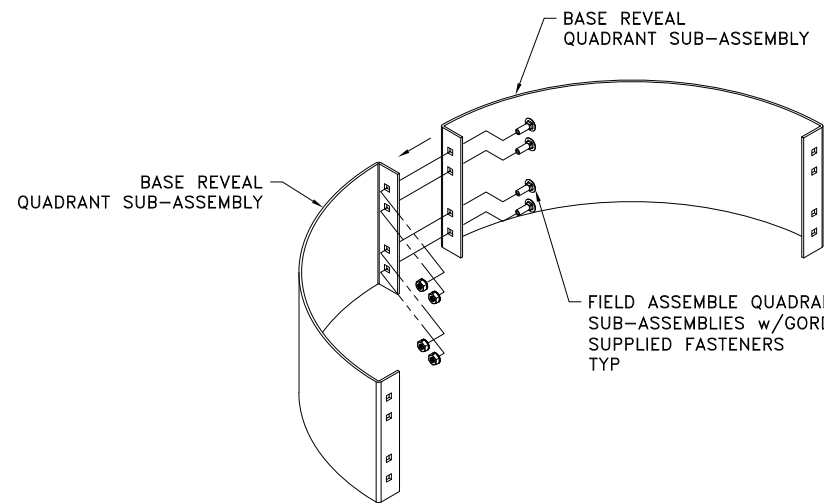
GENERAL NOTES:

- ABBREVIATIONS:  
VIF = VERIFY IN FIELD  
UNO = UNLESS NOTED OTHERWISE  
TYP = TYPICAL  
REF = REFERENCE  
OD = OUTSIDE DIMENSION  
ID = INSIDE DIMENSION  
NBG = NOT BY GORDON  
OC = ON CENTER
- FRACTIONAL DIMENSIONS REPRESENTED TO 1/32"

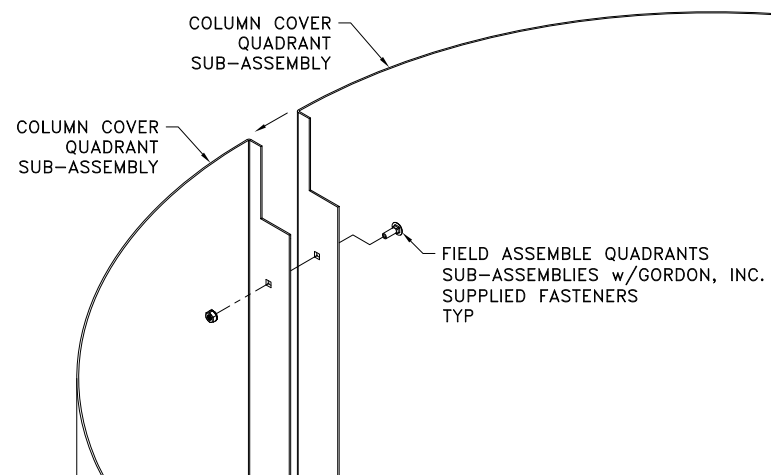
eConnect™ IS A  
TRADEMARK OF GORDON, INC.

THE DESIGN AND CONCEPTS REPRESENTED BY THIS PRINT AND ACCOMPANYING DOCUMENTS ARE THE SOLE PROPERTY OF GORDON, INC. AND MAY NOT BE USED, COPIED, OR REPRODUCED WITHOUT PRIOR WRITTEN CONSENT OF SAID OFFICE.

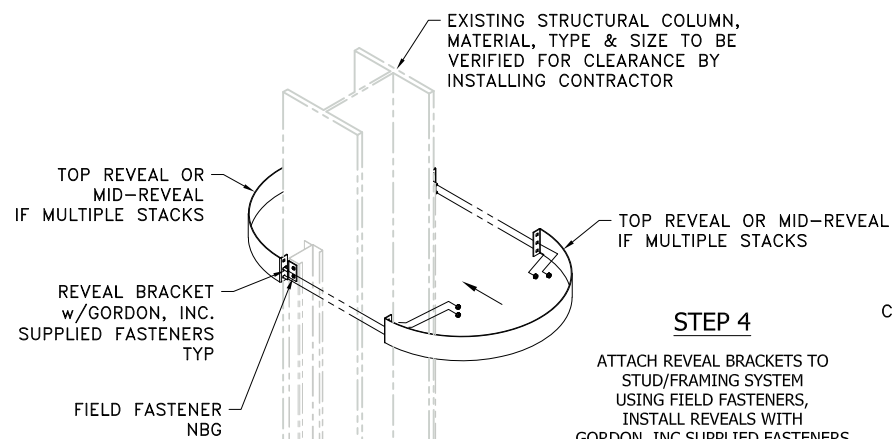
	SALES CODE	SHEET TITLE eConnect™ INSTALLATION INSTRUCTIONS, ROUND		PROJECT # PJ			
	SALES DIE #	JOB NAME		SHEET 1 OF 3	SALES ORDER	PATH & DRAWING NUMBER C:\_GORDON_TESTVAULT\DESIGNS\STANDARD DRAWINGS\COLUMN ENCLOSURES	
ARCHITECT	CUSTOMER	COMP DATE 11/15/19	DRAWN BY WRO	APRVD BY WRO	REL DATE 02/17/20	DRAWING SCALE AS NOTED	PLOTTED SCALE 1:2
5023 Hazel Jones Rd. Bossier City, LA 71111 900.747.8954 GORDON-INC.COM sales@gordon-inc.com						SOFTWARE USED AutoCAD	REVISION -



**TYPICAL QUADRANT FIELD ASSEMBLY OF BASE REVEAL**  
 (TOP REVEAL AND MID-REVEAL PRE-ASSEMBLY WILL BE SIMILAR)  
 PRE-ASSEMBLE REVEAL QUADRANTS USING GORDON, INC.  
 SUPPLIED FASTENERS TO CREATE 180° HALVES  
 NOT TO SCALE



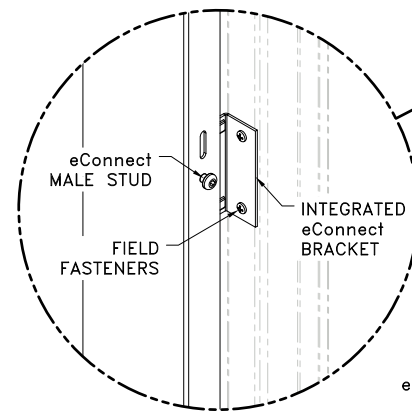
**TYPICAL QUADRANT FIELD ASSEMBLY OF COLUMN COVER**  
 PRE-ASSEMBLE COLUMN COVER QUADRANTS USING GORDON, INC.  
 SUPPLIED FASTENERS TO CREATE 180° HALVES.  
 NOT TO SCALE



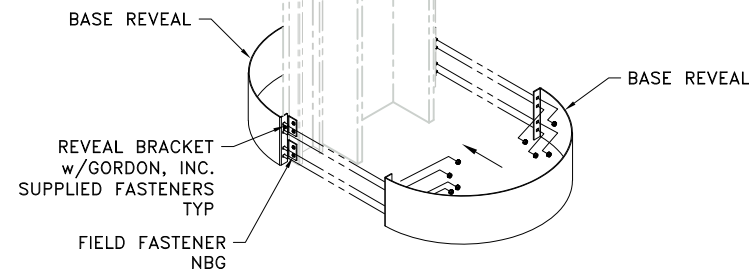
**STEP 4**

ATTACH REVEAL BRACKETS TO STUD/FRAMING SYSTEM USING FIELD FASTENERS, INSTALL REVEALS WITH GORDON, INC SUPPLIED FASTENERS NOT TO SCALE

STUD/FRAMING SYSTEM NBG



TYPICAL eConnect DETAIL  
 NOT TO SCALE



**STEP 5**

ATTACH REVEAL BRACKETS TO STUD/FRAMING SYSTEM USING FIELD FASTENERS, INSTALL REVEALS WITH GORDON, INC SUPPLIED FASTENERS NOT TO SCALE

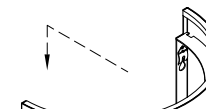
COLUMN MALE COVER

INTEGRATED eConnect BRACKET TYP  
 FIELD FASTENER NBG

**STEP 6**

INSTALL MALE COLUMN COVER TO STUD/FRAMING SYSTEM @ INTEGRATED eConnect BRACKETS USING FIELD FASTENERS NOT TO SCALE

ASSEMBLED TOP REVEAL OR MID-REVEAL IF MULTIPLE STACKS



**STEP 7**

INSTALL FEMALE COLUMN COVER TO INSTALLED MALE COLUMN COVER USING eConnect SYSTEM NOT TO SCALE

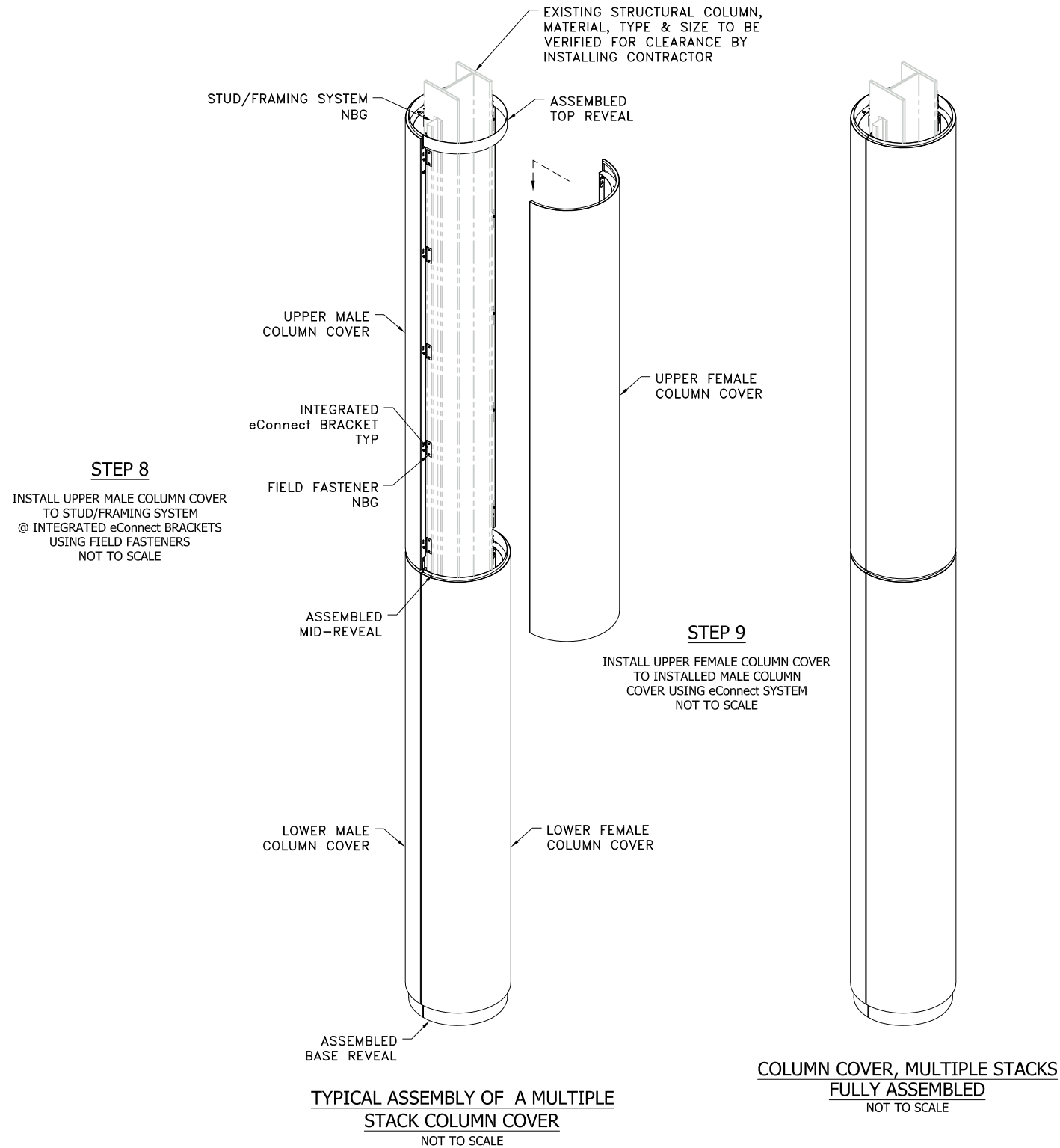


**COLUMN COVER, SINGLE STACK FULLY ASSEMBLED**  
 NOT TO SCALE

eConnect™ IS A TRADEMARK OF GORDON, INC.

THE DESIGN AND CONCEPTS REPRESENTED BY THIS PRINT AND ACCOMPANYING DOCUMENTS ARE THE SOLE PROPERTY OF GORDON, INC. AND MAY NOT BE USED, COPIED, OR REPRODUCED WITHOUT PRIOR WRITTEN CONSENT OF SAID OFFICE.

	SALES CODE	SHEET TITLE eConnect™ INSTALLATION INSTRUCTIONS, ROUND		PROJECT # PJ			
	SALES DIE #	JOB NAME		SHEET 2 OF 3	SALES ORDER	PATH & DRAWING NUMBER C:\GORDON_TEST\VAULT\DESIGNS\STANDARD DRAWINGS\COLUMN ENCLOSURES	
	ARCHITECT	CUSTOMER		REL DATE 11/15/19	DRAWN BY WRO	APRVD BY WRO	REL DATE 02/17/20
5023 Hazel Jones Rd. Bossier City, LA 71111 900.747.8954 GORDON-INC.COM sales@gordon-inc.com				DRAWING SCALE AS NOTED	PLOTTED SCALE 1:2	SOFTWARE USED AutoCAD	REVISION -



eConnect™ IS A  
TRADEMARK OF GORDON, INC.

THE DESIGN AND CONCEPTS REPRESENTED BY THIS PRINT AND ACCOMPANYING DOCUMENTS ARE THE SOLE PROPERTY OF GORDON, INC. AND MAY NOT BE USED, COPIED, OR REPRODUCED WITHOUT PRIOR WRITTEN CONSENT OF SAID OFFICE.

	SALES CODE	SHEET TITLE eConnect™ INSTALLATION INSTRUCTIONS, ROUND		PROJECT # PJ			
	SALES DIE #	JOB NAME		SHEET 3 OF 3	SALES ORDER	PATH & DRAWING NUMBER C:\_GORDON_TESTVAULT\DESIGNS\STANDARD DRAWINGS\COLUMN ENCLOSURES	
	ARCHITECT	CUSTOMER		REL DATE 02/17/20	DRAWING SCALE AS NOTED	PLOTTED SCALE 1:2	SOFTWARE USED AutoCAD
5023 Hazel Jones Rd. Bossier City, LA 71111 800.747.8954 GORDON-INC.COM sales@gordon-inc.com	COMP DATE 11/15/19	DRAWN BY WRO	APRVD BY WRO	REVISION -			