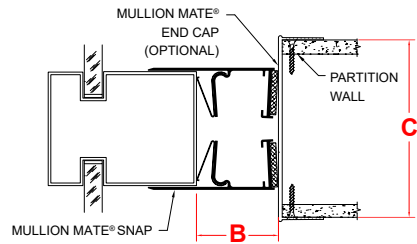
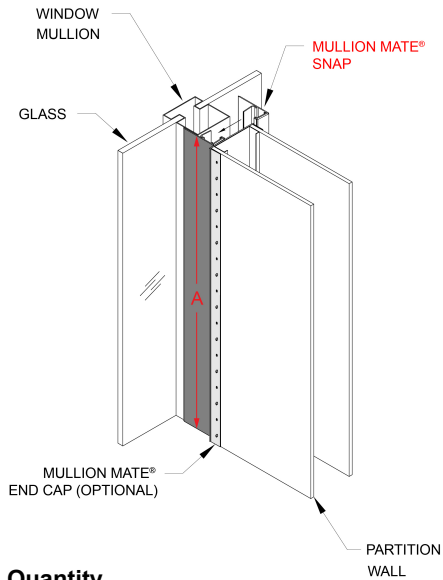


#### Project Information

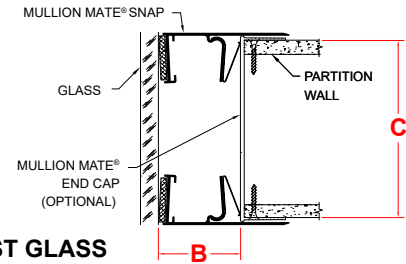
<b>Project Name:</b>
<b>Architect/Location:</b>
<b>Jobsite Address:</b>
<b>Requested Delivery Date:</b>

#### Contractor Information

<b>Name:</b>
<b>Email:</b>
<b>Phone:</b>
<b>Delivery Address:</b>



**AGAINST MULLION**



**AGAINST GLASS**

**Quantity**  
(Number of Locations)      **Dimension A**      **Dimension B**

Mullion Mate®			

Partition End Caps	<b>Quantity</b>	<b>Dimension A</b>	<b>Dimension C (Standard)</b>	<b>Dimension C (Custom)</b>
		120"		
		120"		
		120"		
		120"		
		120"		

**Finish:**

<input type="checkbox"/> Standard Color Powder Coating	<input type="checkbox"/> Custom Color Powder Coating	<input type="checkbox"/> Clear Anodized	<input type="checkbox"/> Paintable
--------------------------------------------------------	------------------------------------------------------	-----------------------------------------	------------------------------------

**Dimension A: (Length of Unit)**

Distance from floor to ceiling or the desired length between window frame. Maximum length of Mullion Mate® Snap is 16'. Maximum length of End Cap is 10'. For lengths greater than the maximums, contact factory.

**Dimension B: (Gap Size)**

Distance from partition wall to window mullion or glass. Must be a minimum of 1" and a maximum of 2".

**Dimension C: (Optional End Cap)**

For standard sizes, choose from selector. Contact factory for custom sizes.

\_\_\_\_\_  
Authorized Signature

Click Here to Submit: [sales@mullionmate.com](mailto:sales@mullionmate.com)