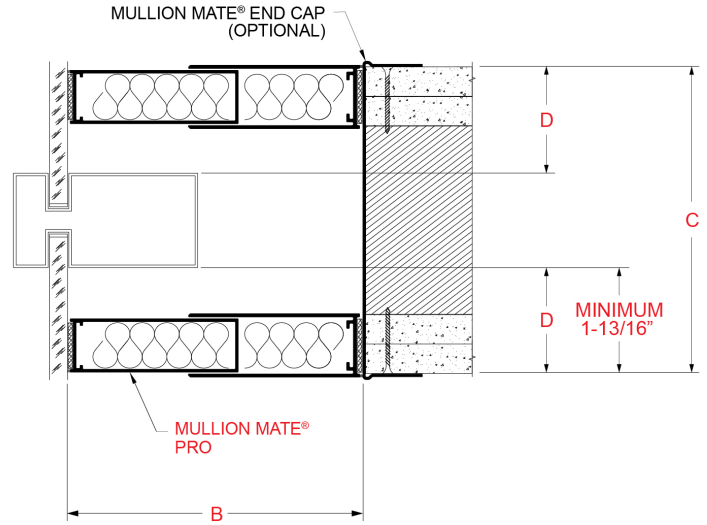
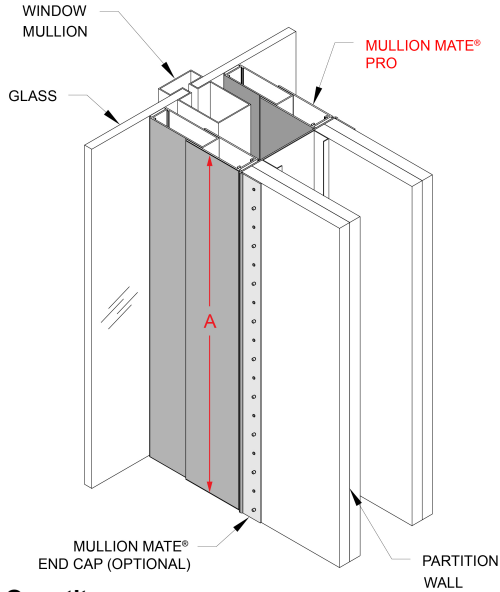


Project Information

Project Name:
Architect/Location:
Jobsite Address:
Requested Delivery Date:

Contractor Information

Name:
Email:
Phone:
Delivery Address:



Quantity (Number of Locations)	Dimension A	Dimension B	Dimension D

Mullion Mate®

Partition End Caps

Quantity	Dimension A	Dimension C (Standard)	Dimension C (Custom)
	120"		
	120"		
	120"		
	120"		
	120"		

Finish:

Standard Color Powder Coating
 Custom Color Powder Coating
 Clear Anodized
 Paintable

Dimension A: (Length of Unit)
 Distance from floor to ceiling or the desired length between window frame. Maximum length of Mullion Mate® Pro is 16'. Maximum length of End Cap is 10'. For lengths greater than the maximums, contact factory.

Dimension B: (Gap Size)
 Distance from partition wall to window mullion or glass. Must be a minimum of 4" and a maximum of 8-1/2".

Dimension C: (Optional End Cap)
 For standard sizes, choose from selector. Contact factory for custom sizes.

Dimension D:
 Distance from the Edge of Window Mullion to Edge of Partition Wall. Must be a minimum of 1-13/16"

 Authorized Signature