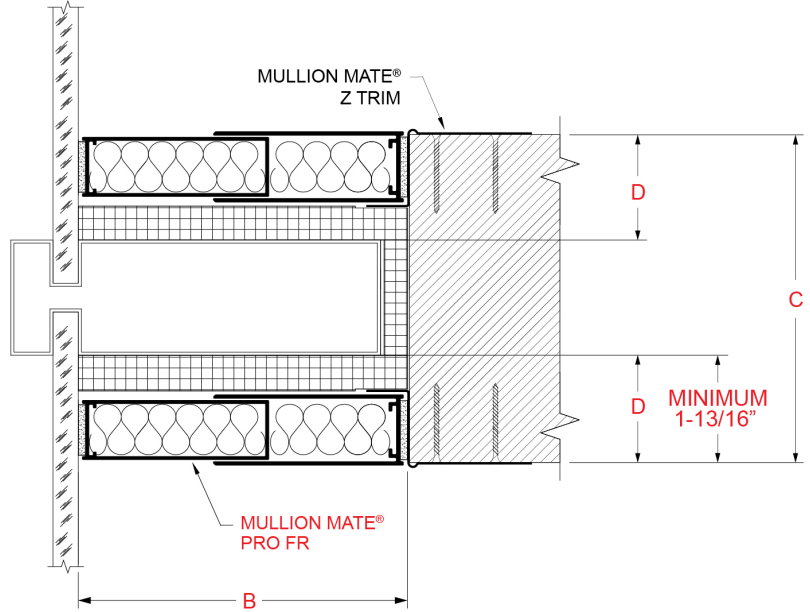
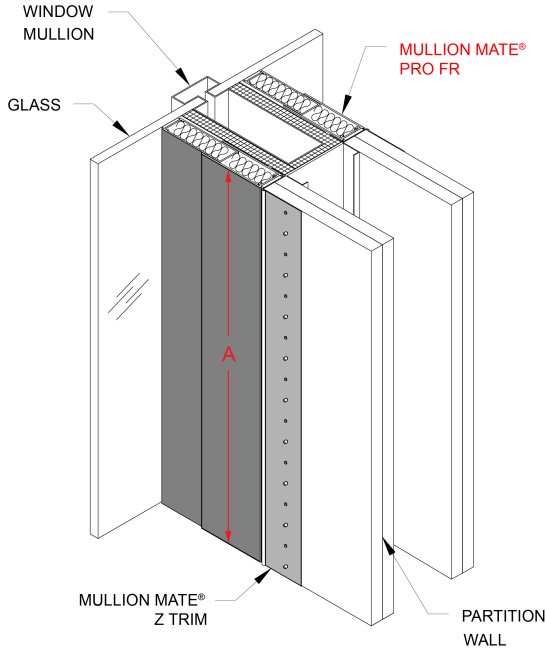


#### Project Information

<b>Project Name:</b>
<b>Architect/Location:</b>
<b>Jobsite Address:</b>
<b>Requested Delivery Date:</b>

#### Contractor Information

<b>Name:</b>
<b>Email:</b>
<b>Phone:</b>
<b>Delivery Address:</b>



**Quantity**  
(Number of Locations)

**Dimension A**

**Dimension B**

**Dimension D**

Mullion Mate®

Quantity (Number of Locations)	Dimension A	Dimension B	Dimension D

#### Finish:

Standard Color Powder Coating

Custom Color Powder Coating

Clear Anodized



#### Dimension A: (Length of Unit)

Distance from floor to ceiling or the desired length between window frame. Maximum length of Mullion Mate® Pro FR is 16'. Maximum length of End Cap is 10'. For lengths greater than the maximums, contact factory.

#### Dimension B: (Gap Size)

Distance from partition wall to window mullion or glass. Must be a minimum of 4" and a maximum of 8-1/2".

#### Dimension C: (Optional End Cap)

For standard sizes, choose from selector. Contact factory for custom sizes.

#### Dimension D:

Distance from the Edge of Window Mullion to Edge of Partition Wall. **Must** be a minimum of 1-13/16".

\_\_\_\_\_  
Authorized Signature

Click Here to Submit: [sales@mullionmate.com](mailto:sales@mullionmate.com)