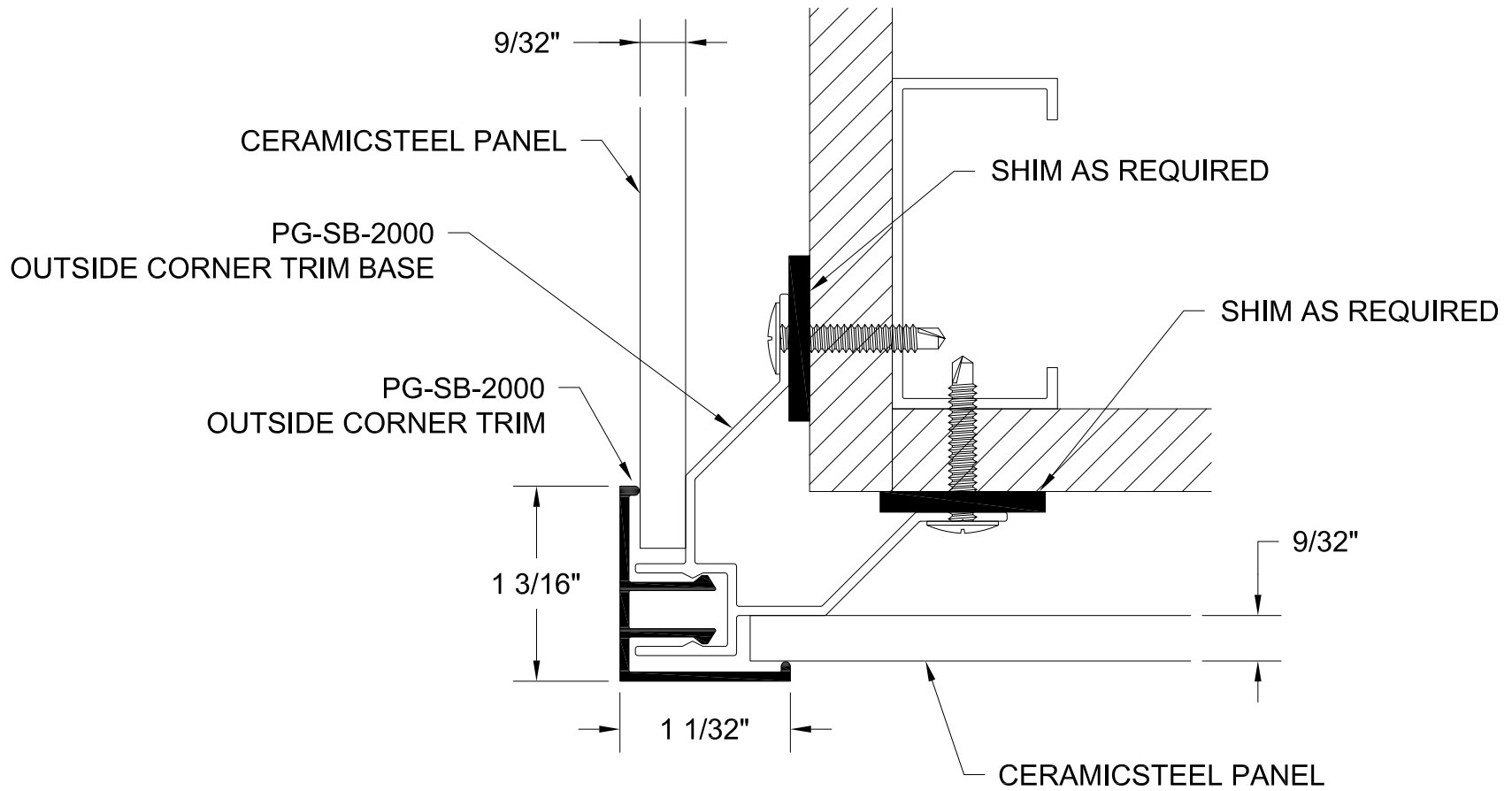
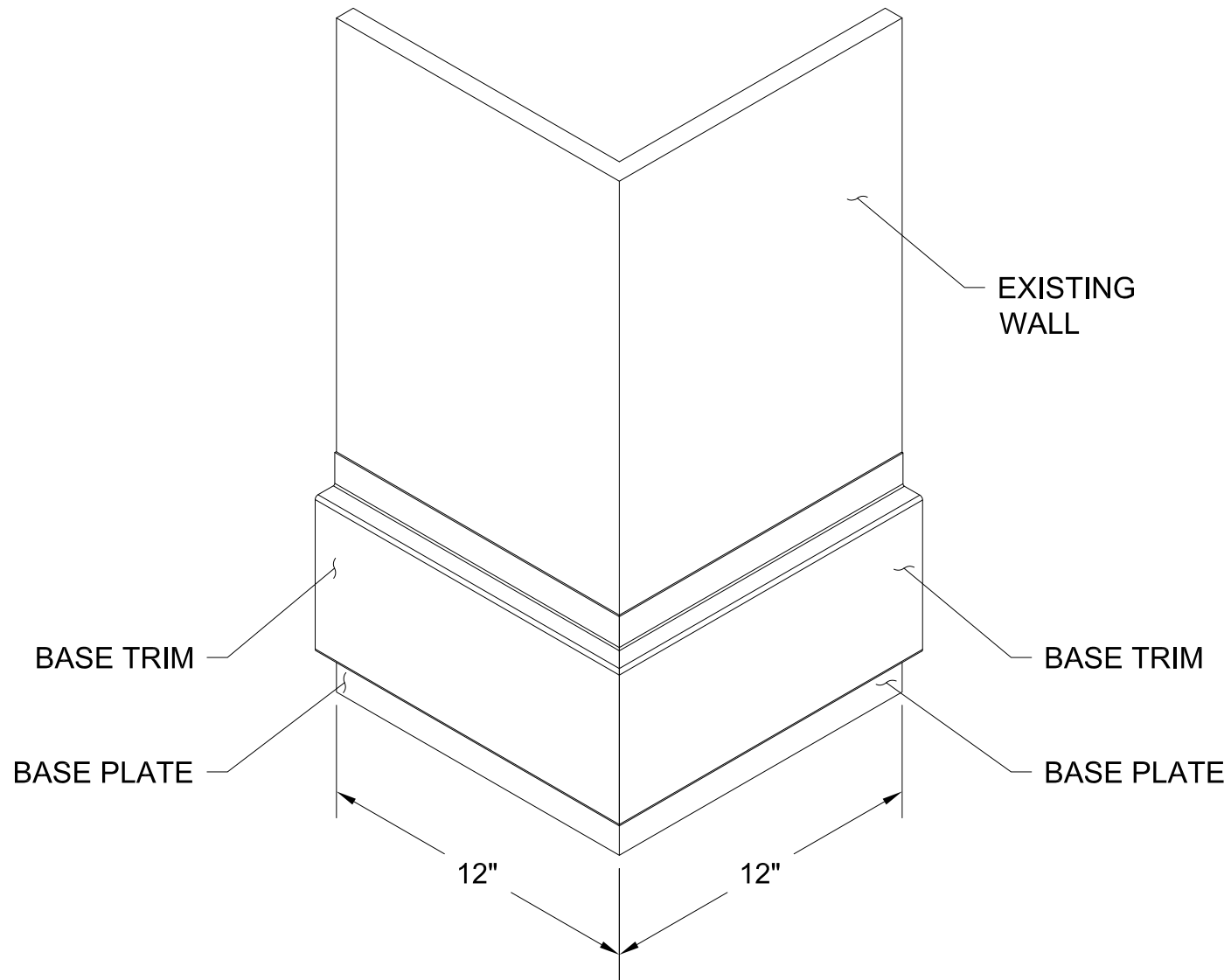


GORDON® ARCHITECTURAL+ENGINEERED SOLUTIONS

5023 Hazel Jones Rd.
 Bossier City, LA 71111
 800.747.8954
 GORDON-INC.COM
 sales@gordon-inc.com

CERAMICSTEEL WALLS
 PG SB - 2000 SERIES
 ISOMETRIC BASE ASSEMBLY

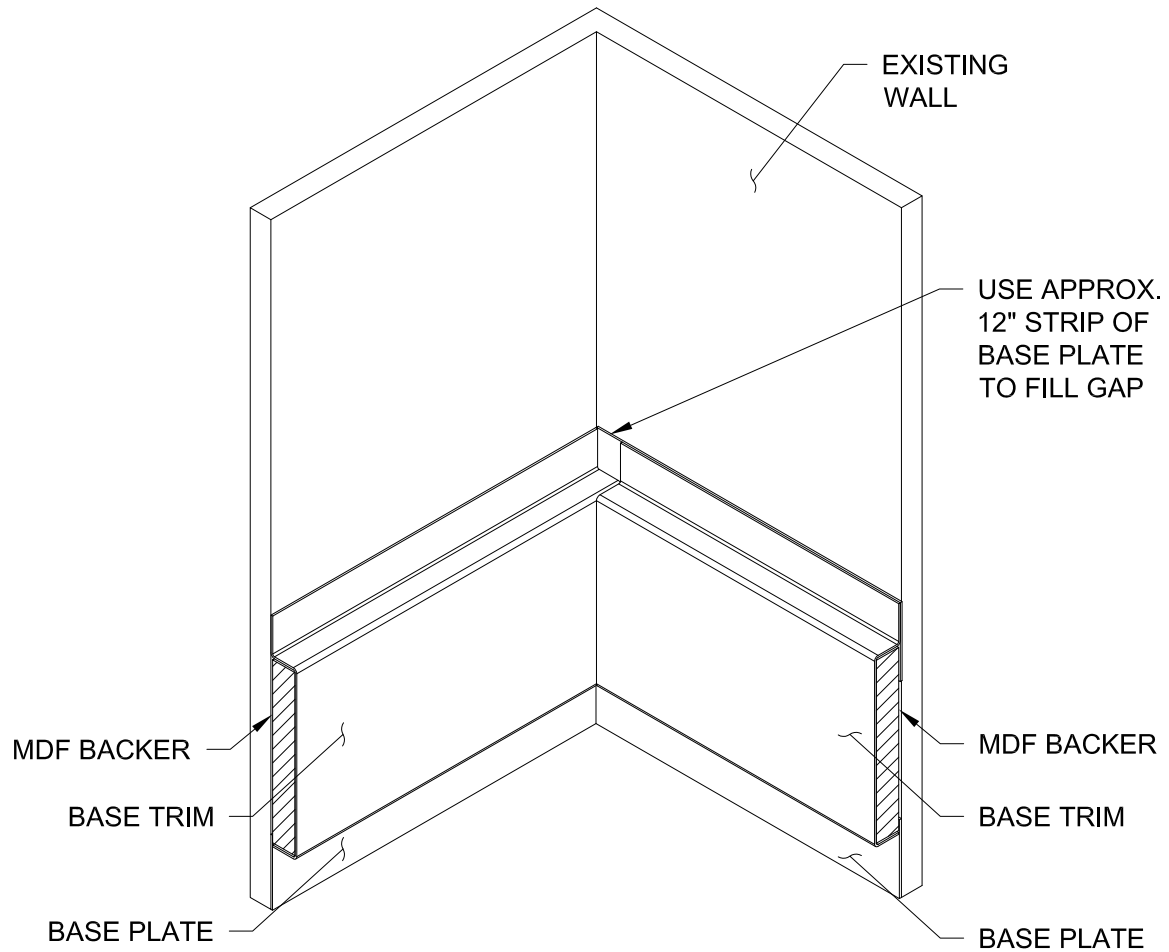


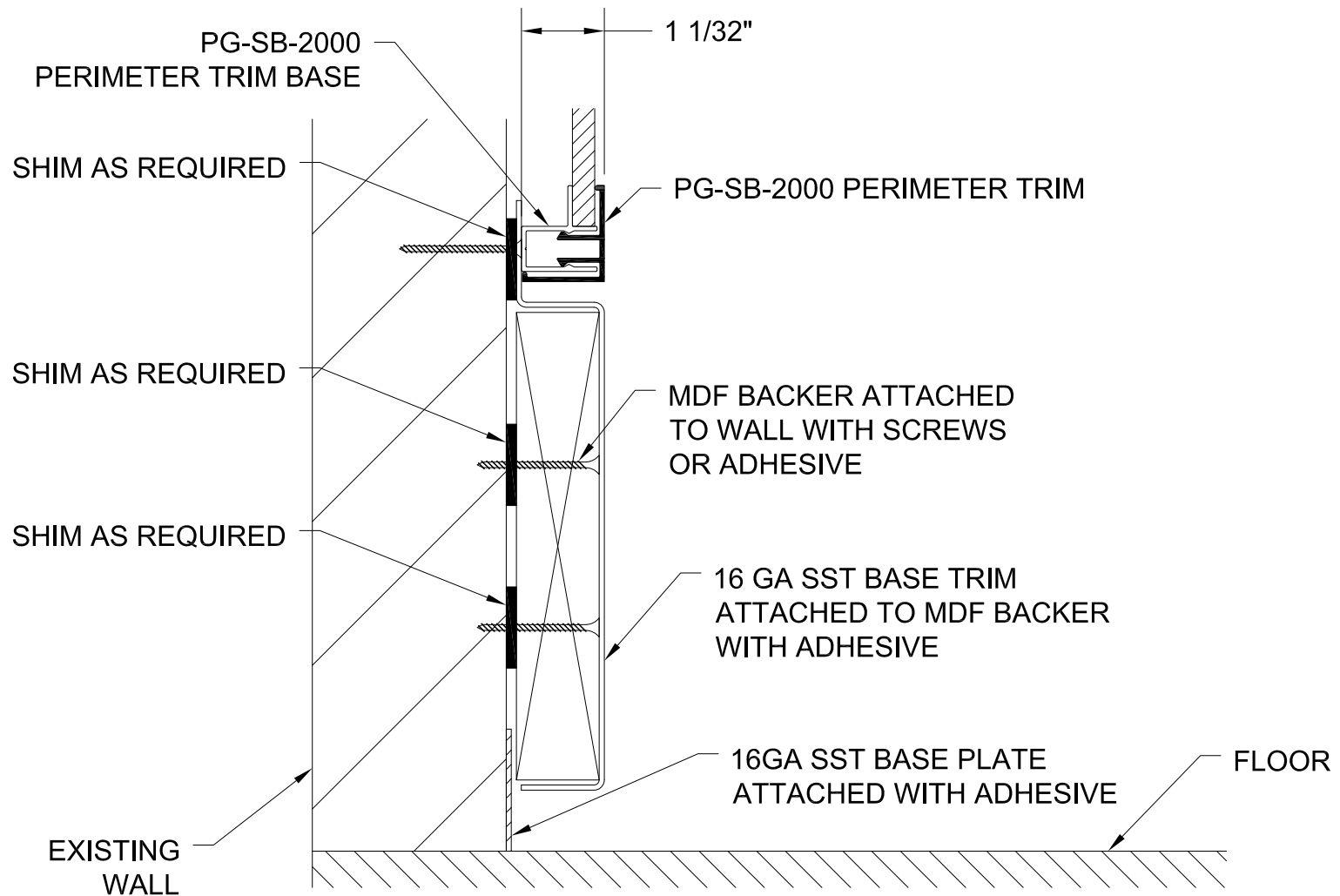


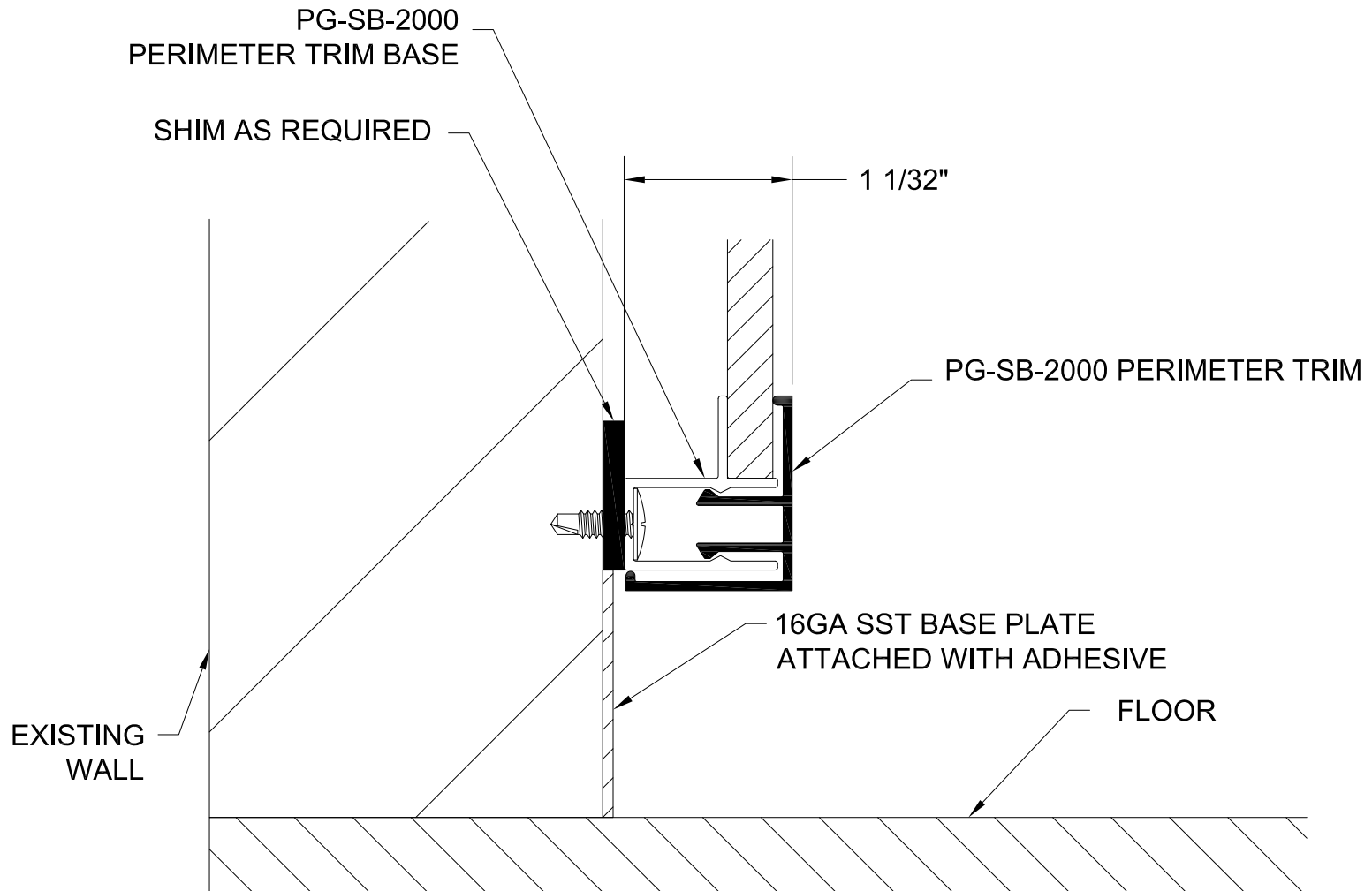
GORDON[®]
ARCHITECTURAL+ENGINEERED SOLUTIONS

5023 Hazel Jones Rd.
Bossier City, LA 71111
800.747.8954
GORDON-INC.COM
sales@gordon-inc.com

CERAMICSTEEL WALLS
PG SB - 2000 SERIES
BASE OUTSIDE CORNER ISO







GORDON®
 ARCHITECTURAL+ENGINEERED SOLUTIONS

5023 Hazel Jones Rd.
 Bossier City, LA 71111
 800.747.8954
 GORDON-INC.COM
 sales@gordon-inc.com

CERAMICSTEEL WALLS
 PG SB - 2000 SERIES
 BASE PLATE WITH TRIM

PG-SB-2000
PANEL-TO-PANEL TRIM BASE

SHIM AS REQUIRED

CERAMICSTEEL PANEL

9/32" TYP

1 3/16"

PG-SB-2000
PANEL-TO-PANEL TRIM

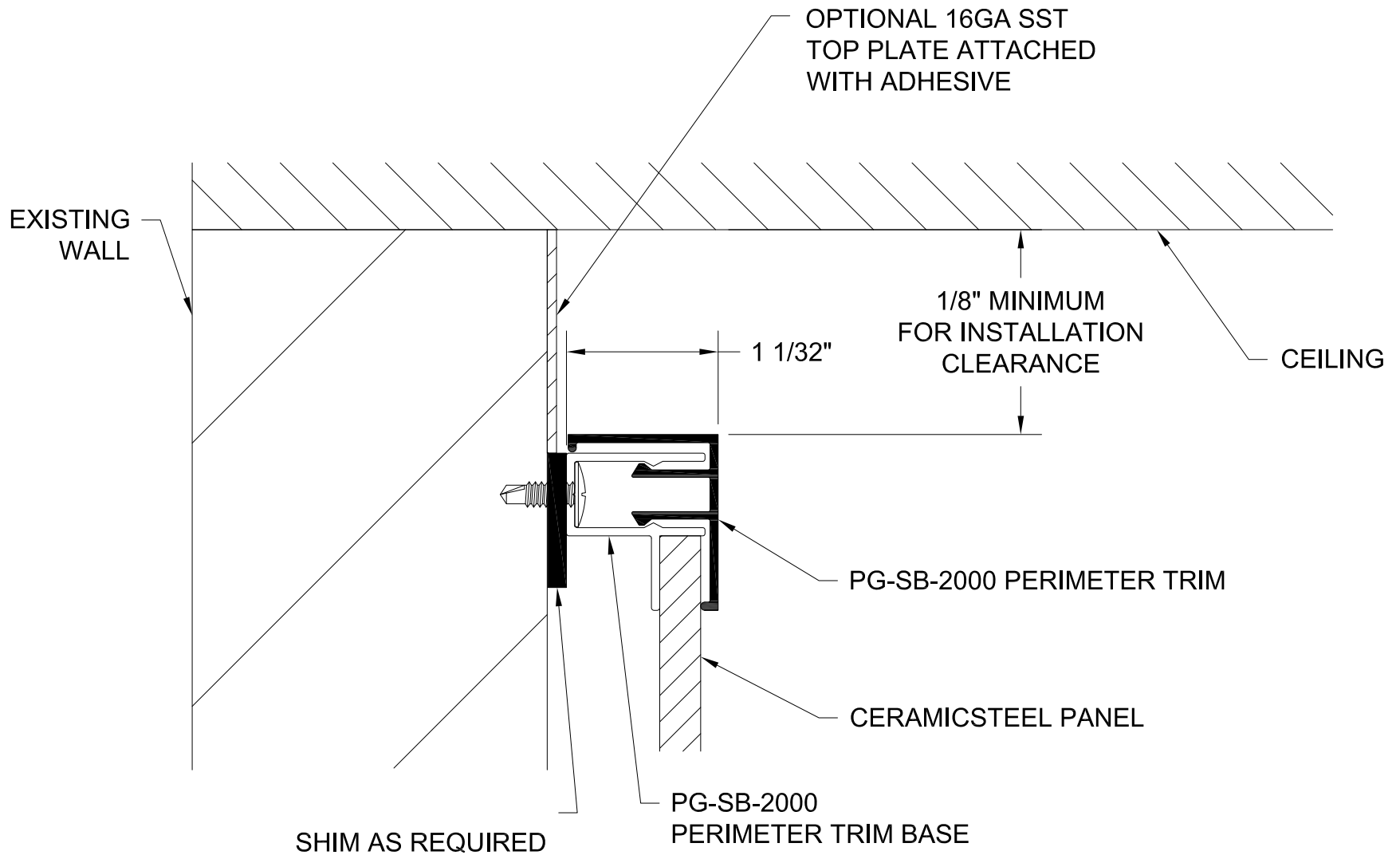
1 1/32"

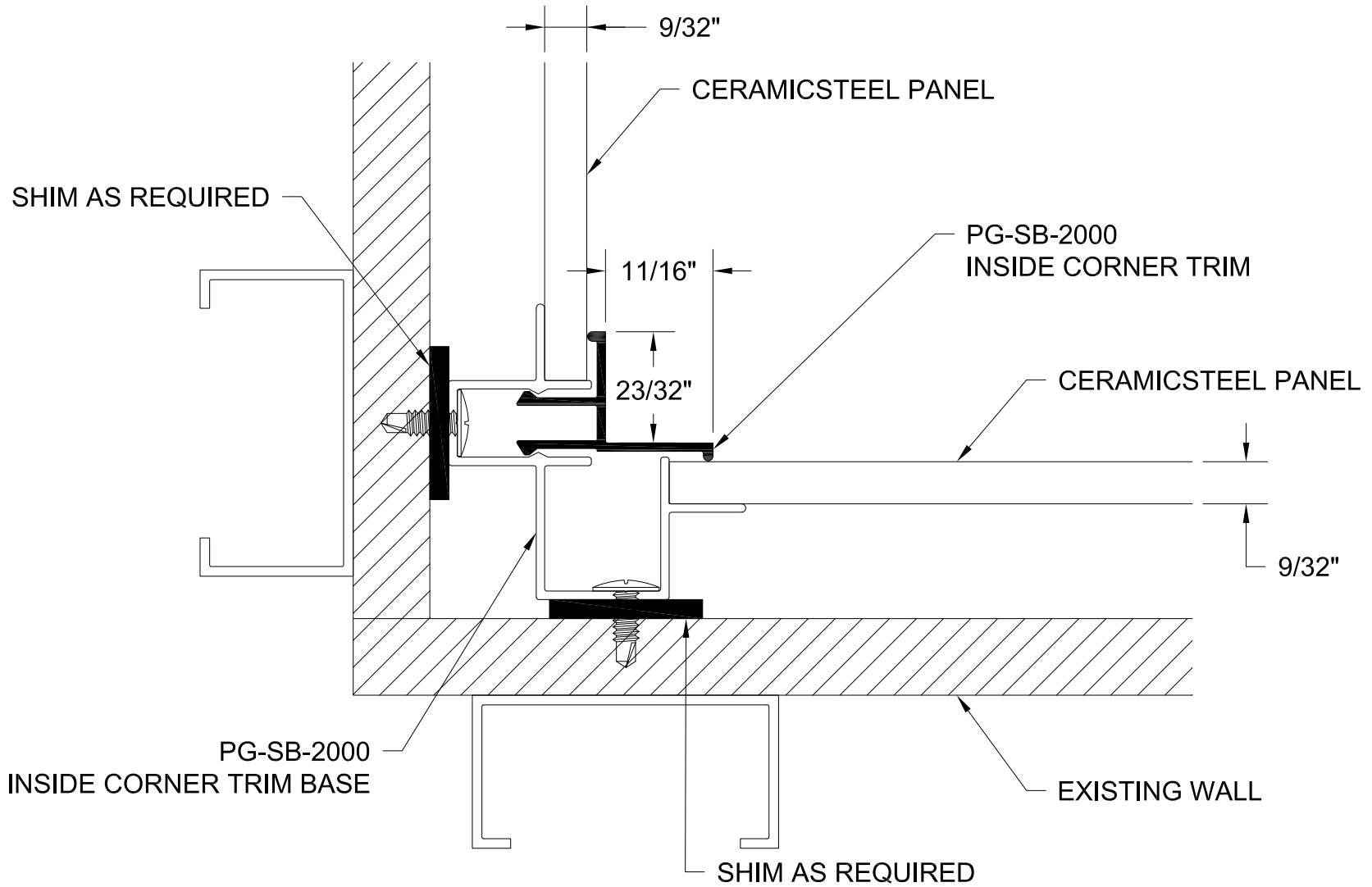
CERAMICSTEEL PANEL

GORDON®
ARCHITECTURAL+ENGINEERED SOLUTIONS

5023 Hazel Jones Rd.
Bossier City, LA 71111
800.747.8954
GORDON-INC.COM
sales@gordon-inc.com

CERAMICSTEEL WALLS
PG SB - 2000 SERIES
HORIZONTAL REVEAL



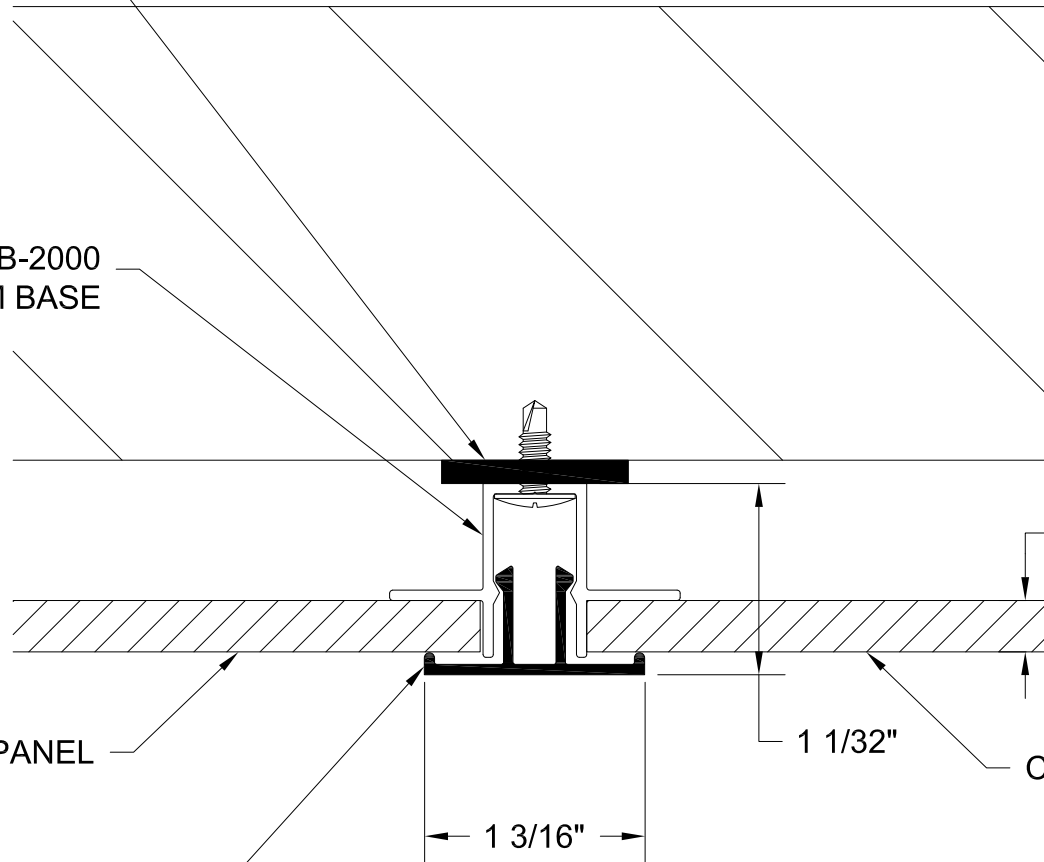


SHIM AS REQUIRED

PG-SB-2000
PANEL-TO-PANEL TRIM BASE

CERAMICSTEEL PANEL

PG-SB-2000
PANEL-TO-PANEL TRIM



9/32" TYP

1 1/32"

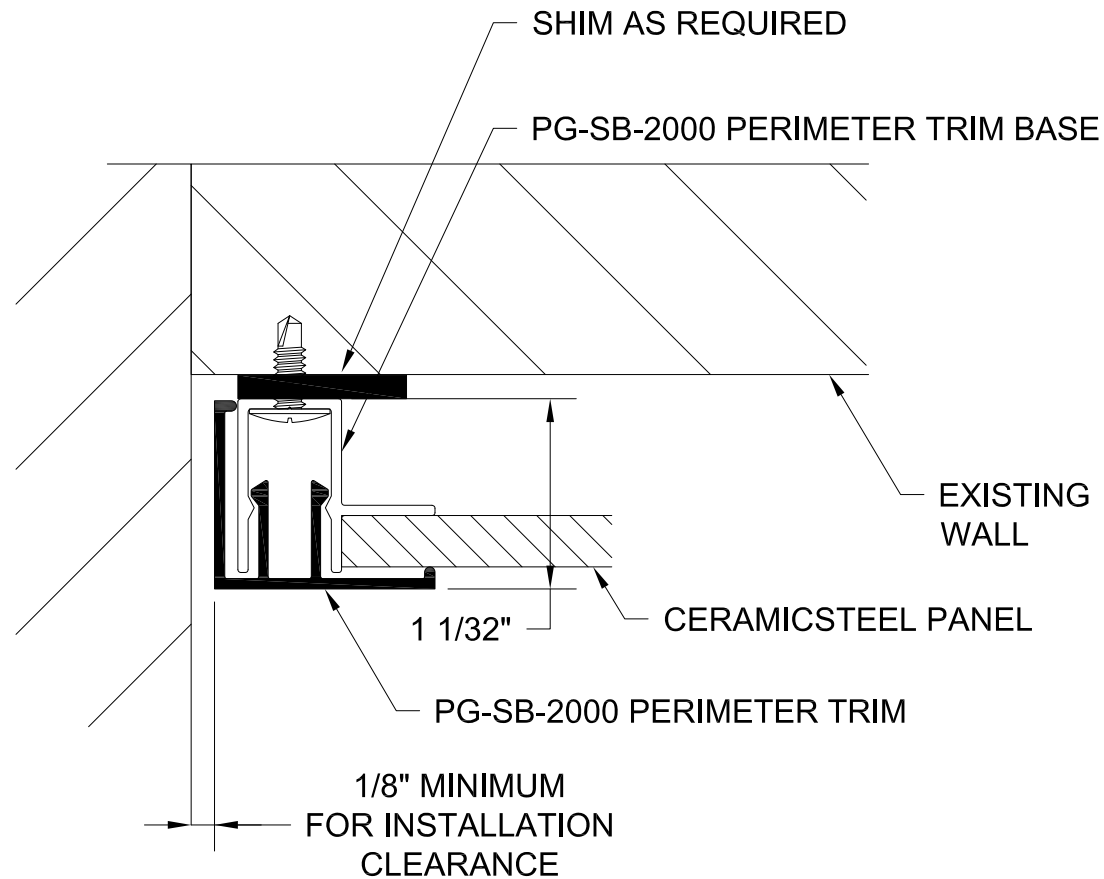
CERAMICSTEEL PANEL

1 3/16"

GORDON®
ARCHITECTURAL+ENGINEERED SOLUTIONS

5023 Hazel Jones Rd.
Bossier City, LA 71111
800.747.8954
GORDON-INC.COM
sales@gordon-inc.com

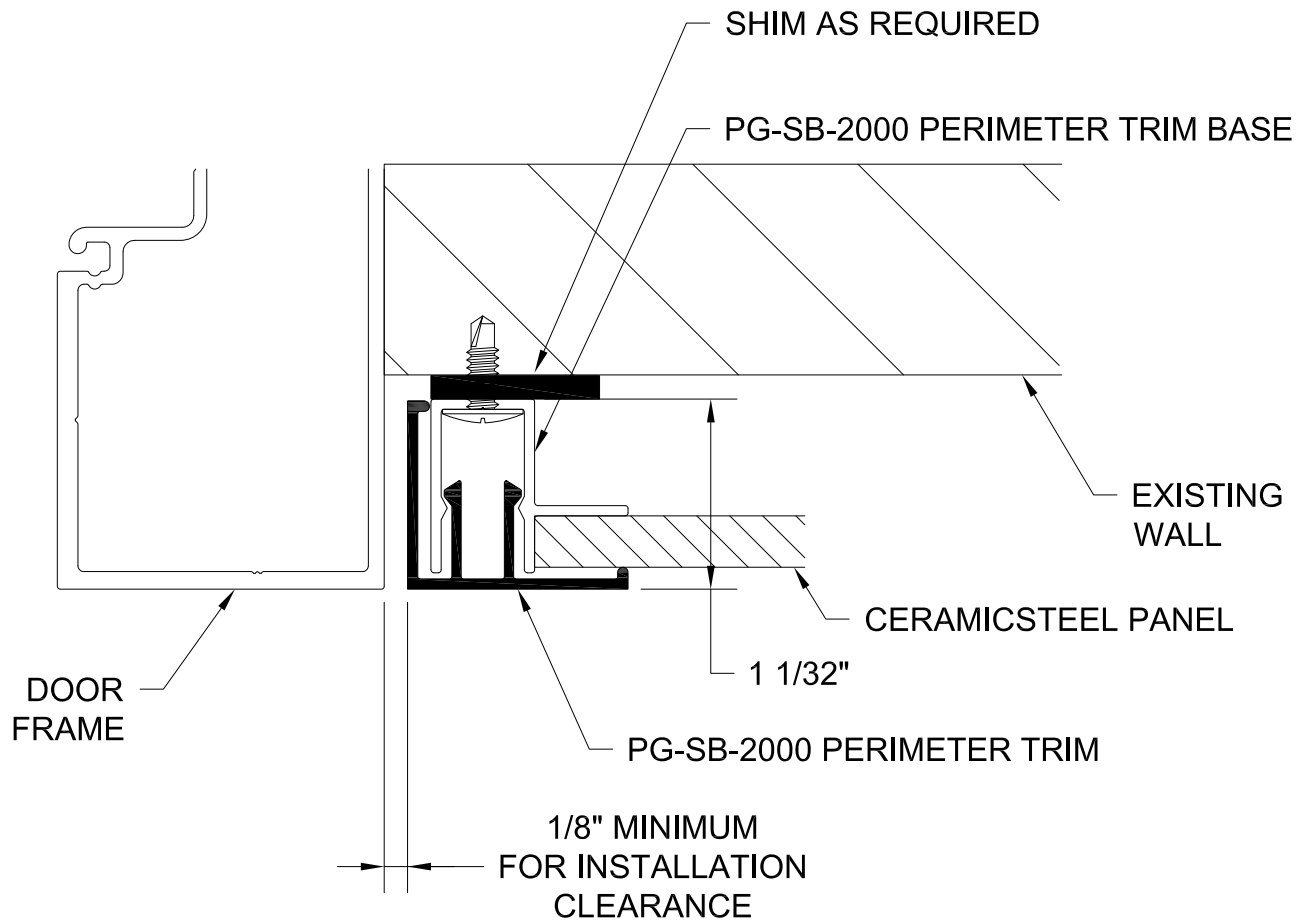
CERAMICSTEEL WALLS
PG SB - 2000 SERIES
VERTICAL REVEAL



GORDON®
ARCHITECTURAL+ENGINEERED SOLUTIONS

5023 Hazel Jones Rd.
Bossier City, LA 71111
800.747.8954
GORDON-INC.COM
sales@gordon-inc.com

CERAMICSTEEL WALLS
PG SB - 2000 SERIES
WALL TERMINATION



GORDON[®]
 ARCHITECTURAL+ENGINEERED SOLUTIONS

5023 Hazel Jones Rd.
 Bossier City, LA 71111
 800.747.8954
 GORDON-INC.COM
 sales@gordon-inc.com

CERAMICSTEEL WALLS
 PG SB - 2000 SERIES
 SECTION AT DOOR FRAME