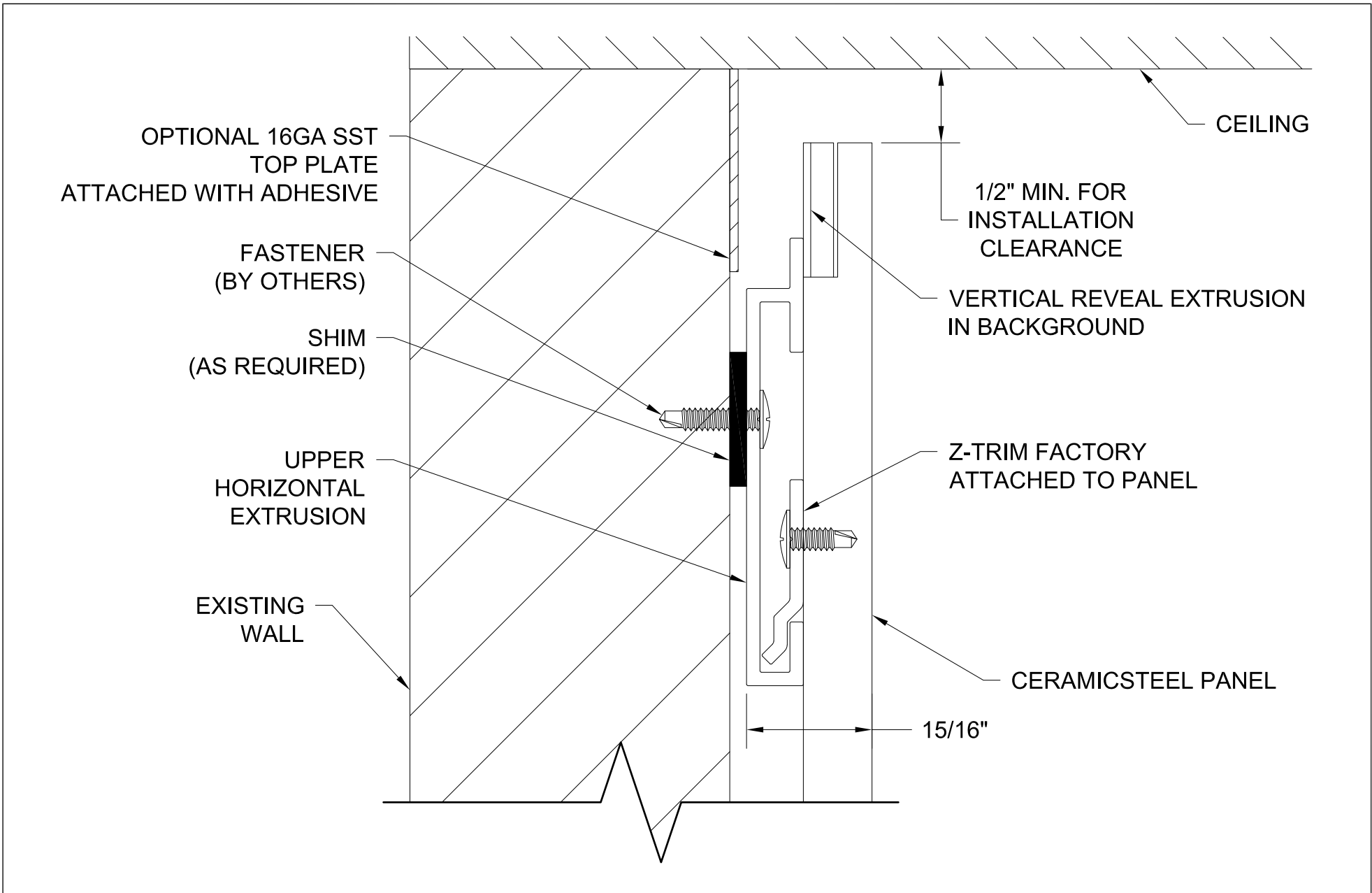


**GORDON**  
ARCHITECTURAL+ENGINEERED SOLUTIONS

5023 Hazel Jones Rd.  
Bossier City, LA 71111  
800.747.8954  
GORDON-INC.COM  
sales@gordon-inc.com

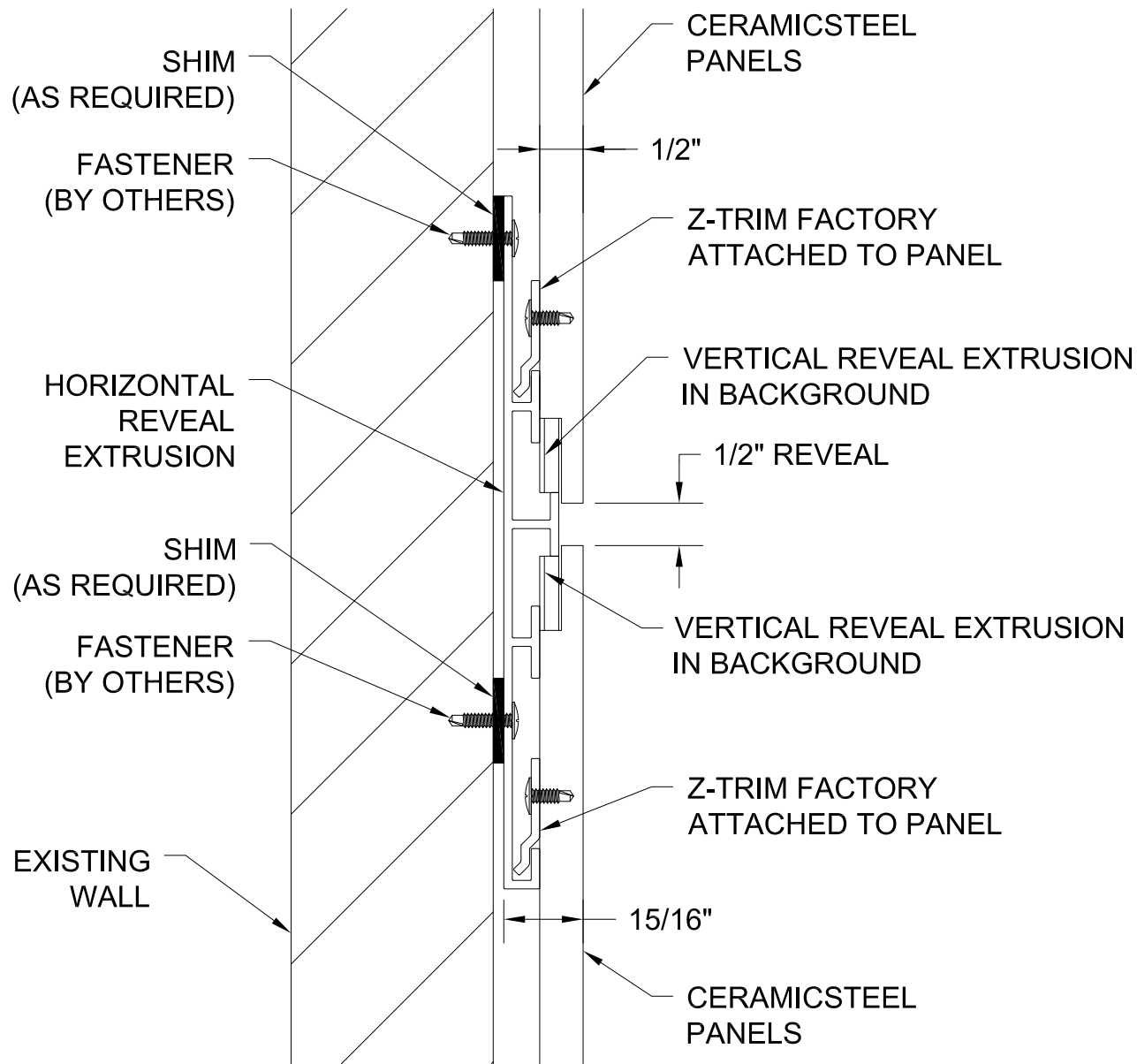
**CERAMICSTEEL WALLS  
PG MR - 1000 SERIES  
ISOMETRIC ASSEMBLY**



**GORDON**  
ARCHITECTURAL+ENGINEERED SOLUTIONS

5023 Hazel Jones Rd.  
Bossier City, LA 71111  
800.747.8954  
GORDON-INC.COM  
sales@gordon-inc.com

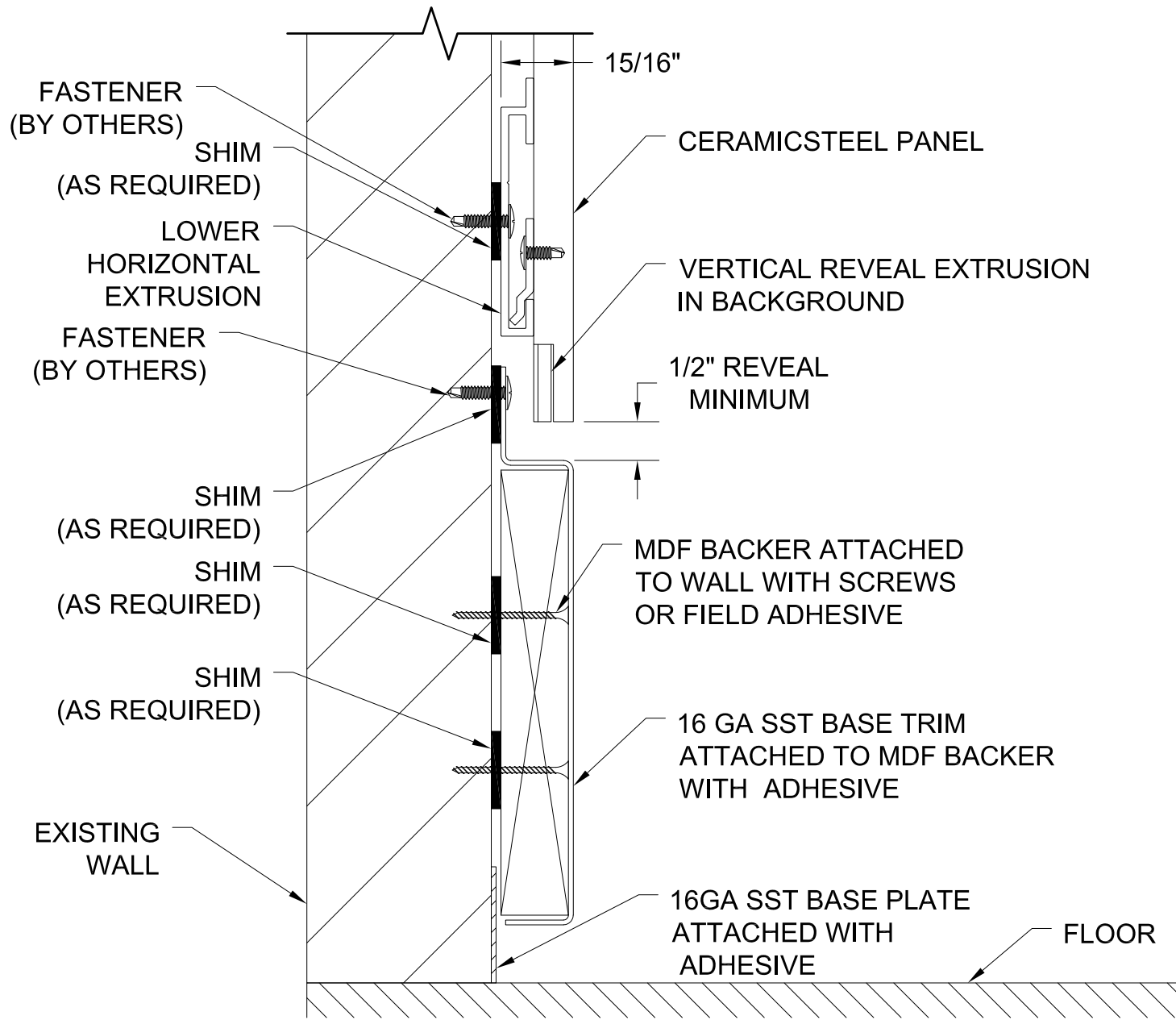
WEB-PATH  
PG MR - 1000 SERIES  
TOP - SECTION A

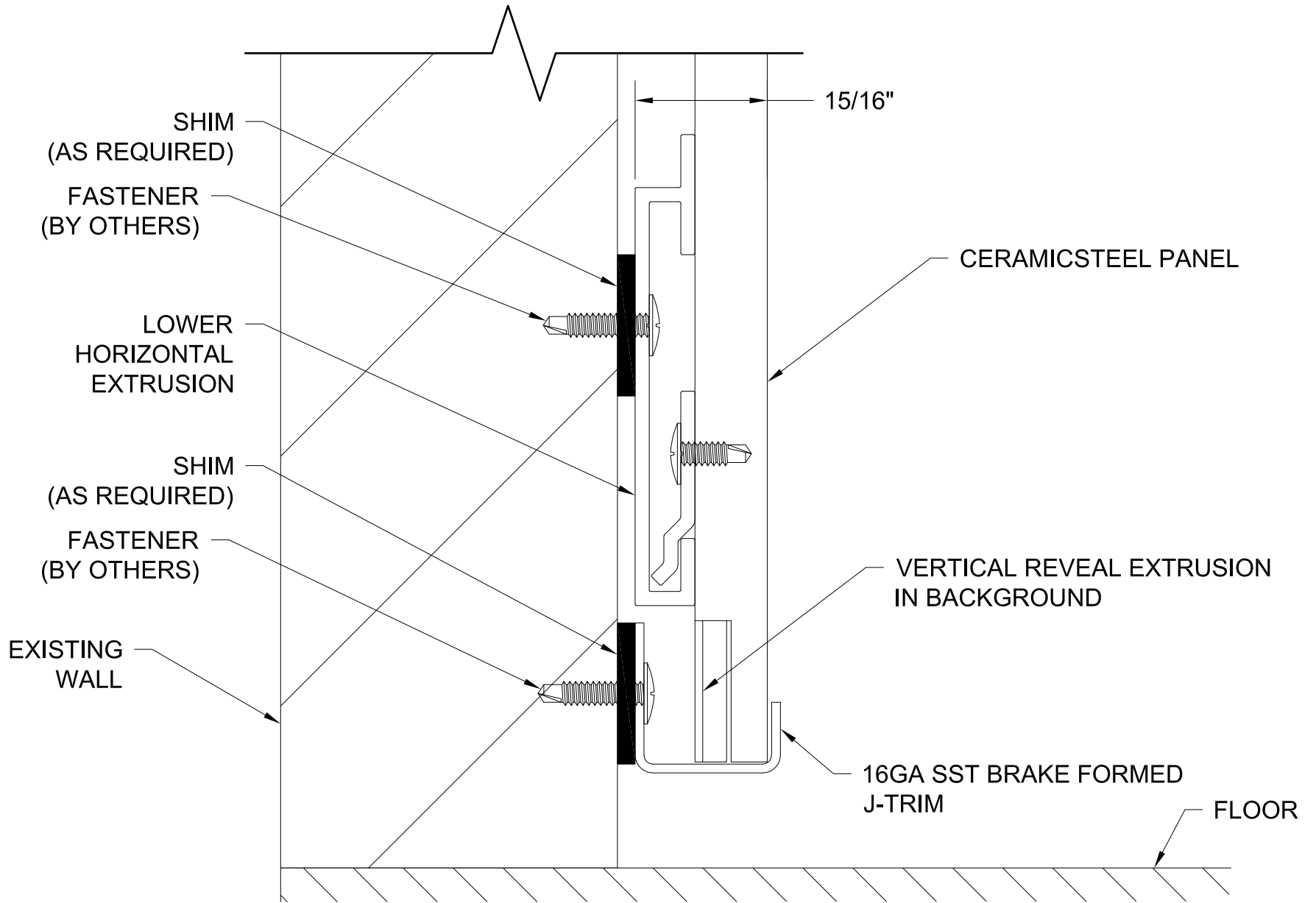


**GORDON**®  
ARCHITECTURAL+ENGINEERED SOLUTIONS

5023 Hazel Jones Rd.  
Bossier City, LA 71111  
800.747.8954  
GORDON-INC.COM  
sales@gordon-inc.com

CERAMICSTEEL WALLS  
PG MR - 1000 SERIES  
HORIZONTAL JOINT - SECTION B

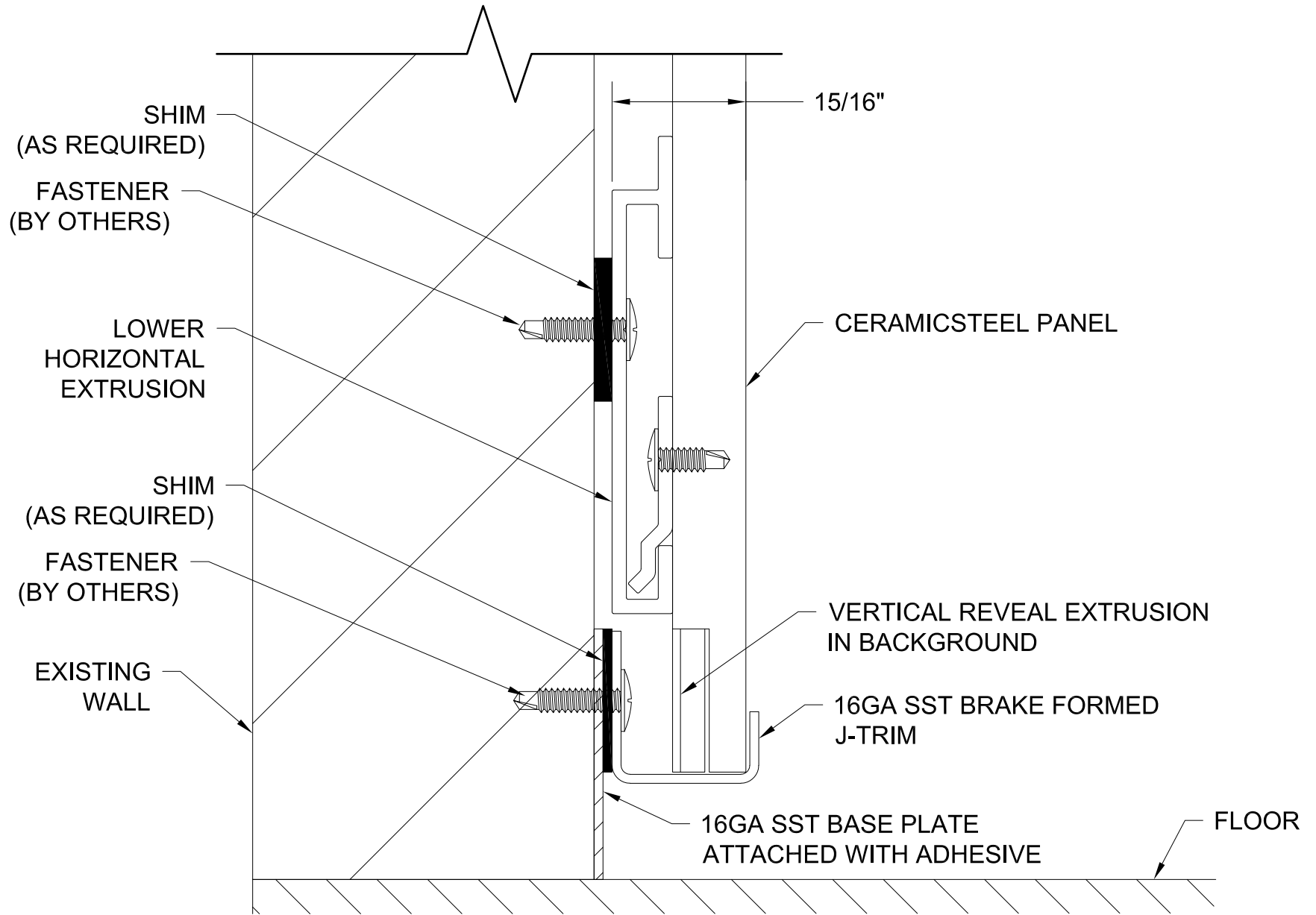




**GORDON**  
ARCHITECTURAL+ENGINEERED SOLUTIONS

5023 Hazel Jones Rd.  
Bossier City, LA 71111  
800.747.8954  
GORDON-INC.COM  
sales@gordon-inc.com

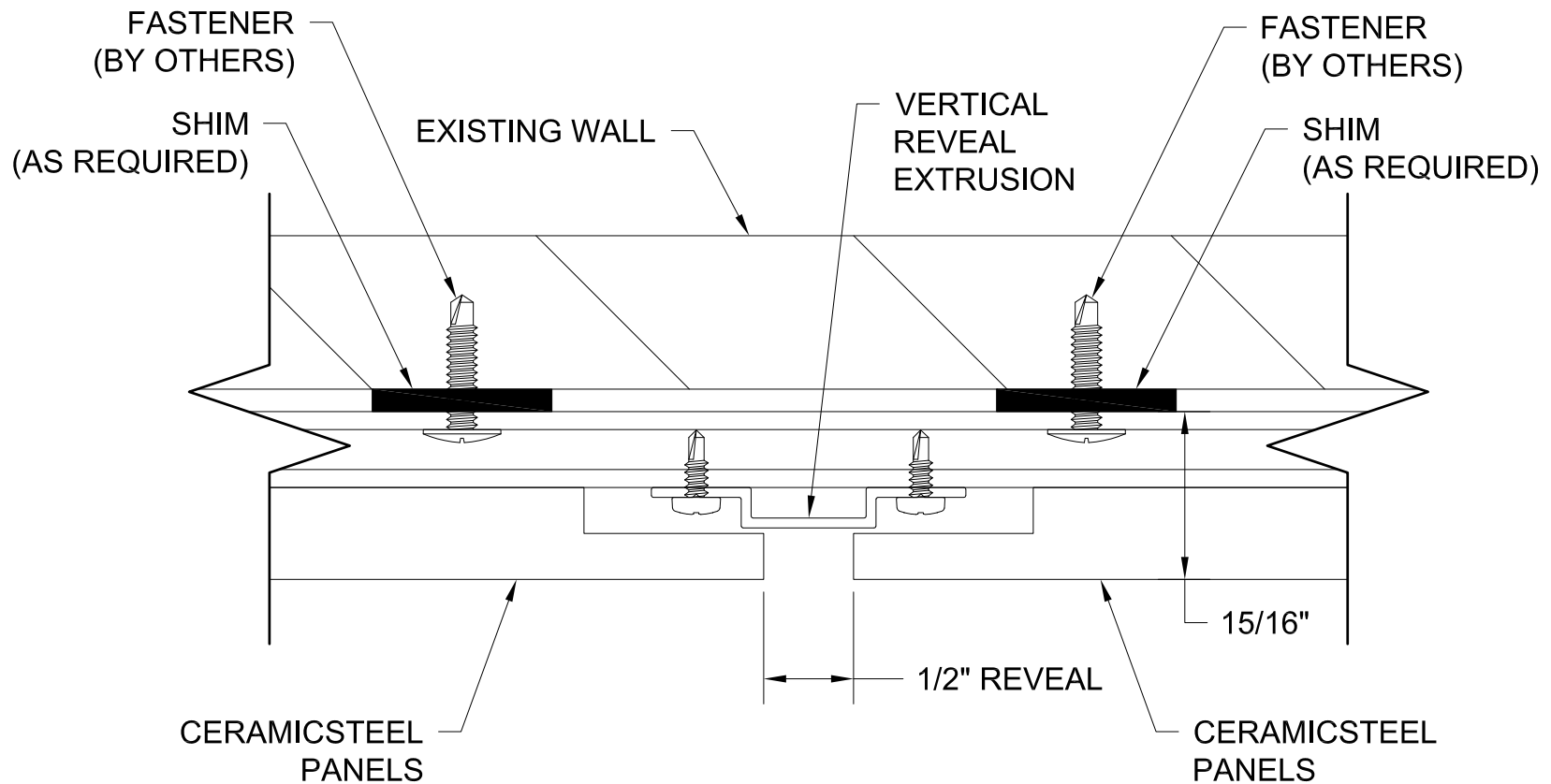
**CERAMICSTEEL WALLS  
PG MR - 1000 SERIES  
BASE - SECTION C1**



**GORDON**  
ARCHITECTURAL+ENGINEERED SOLUTIONS

5023 Hazel Jones Rd.  
Bossier City, LA 71111  
800.747.8954  
GORDON-INC.COM  
sales@gordon-inc.com

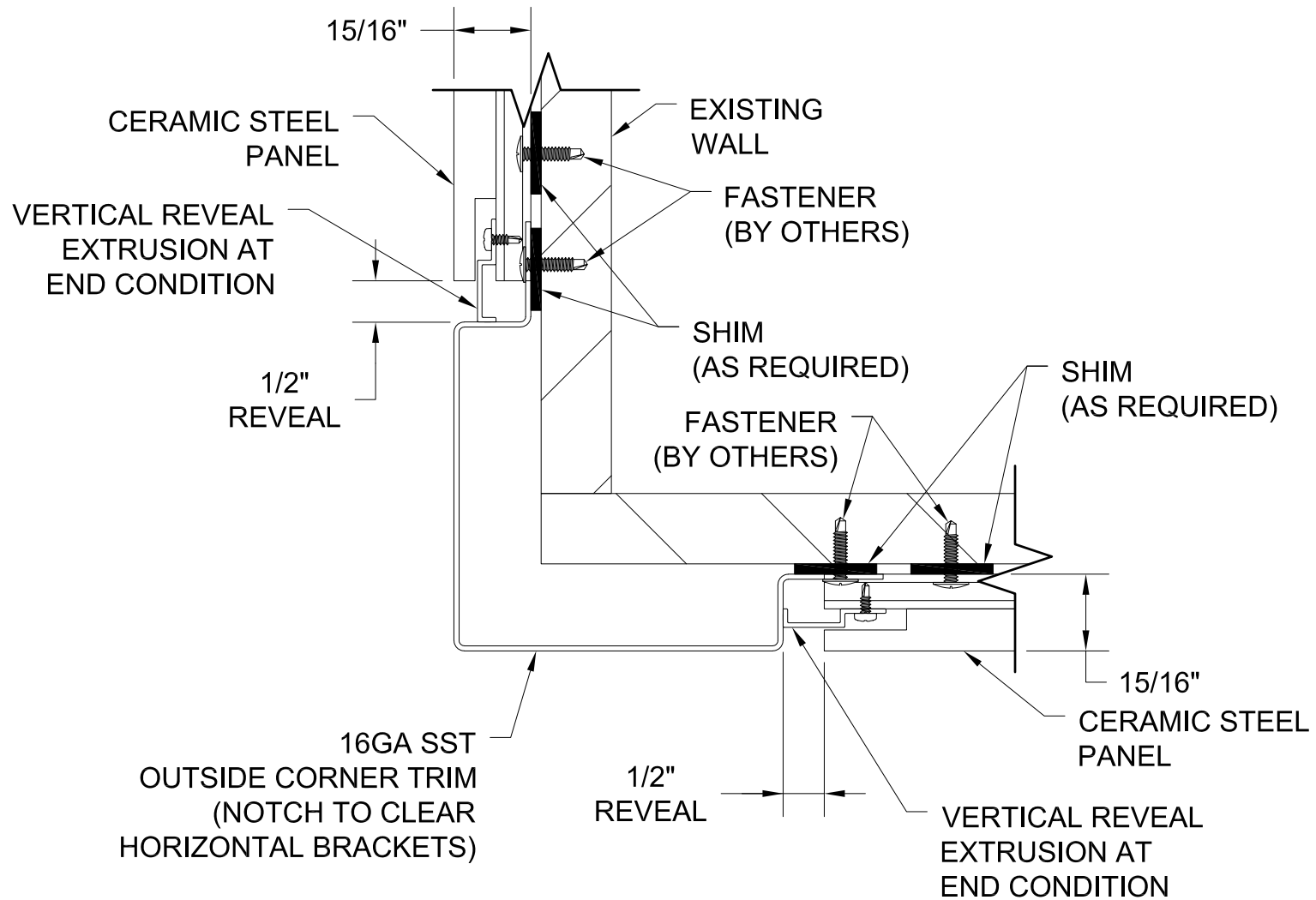
**CERAMICSTEEL WALLS  
PG MR - 1000 SERIES  
BASE - SECTION C2**



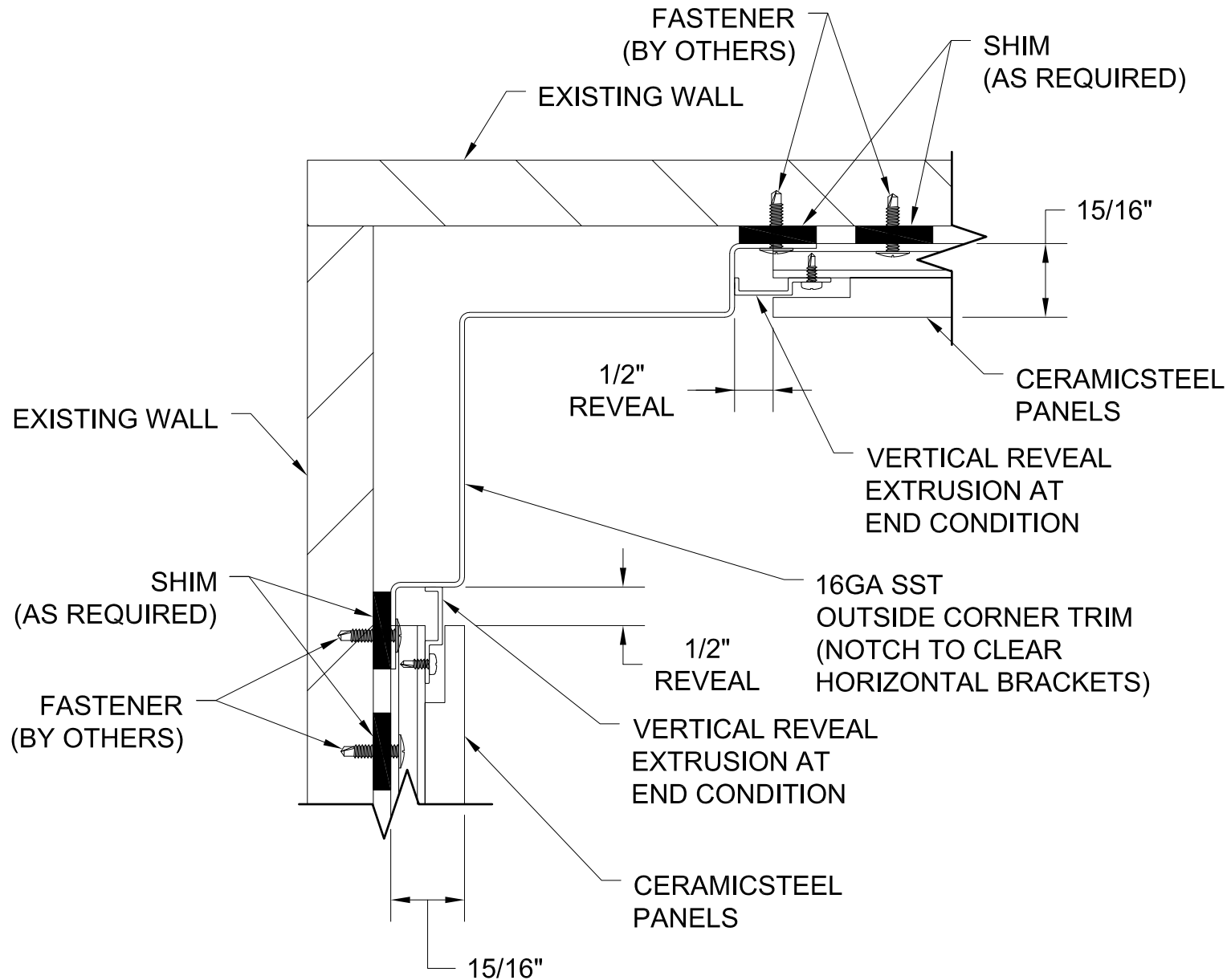
**GORDON**®  
ARCHITECTURAL+ENGINEERED SOLUTIONS

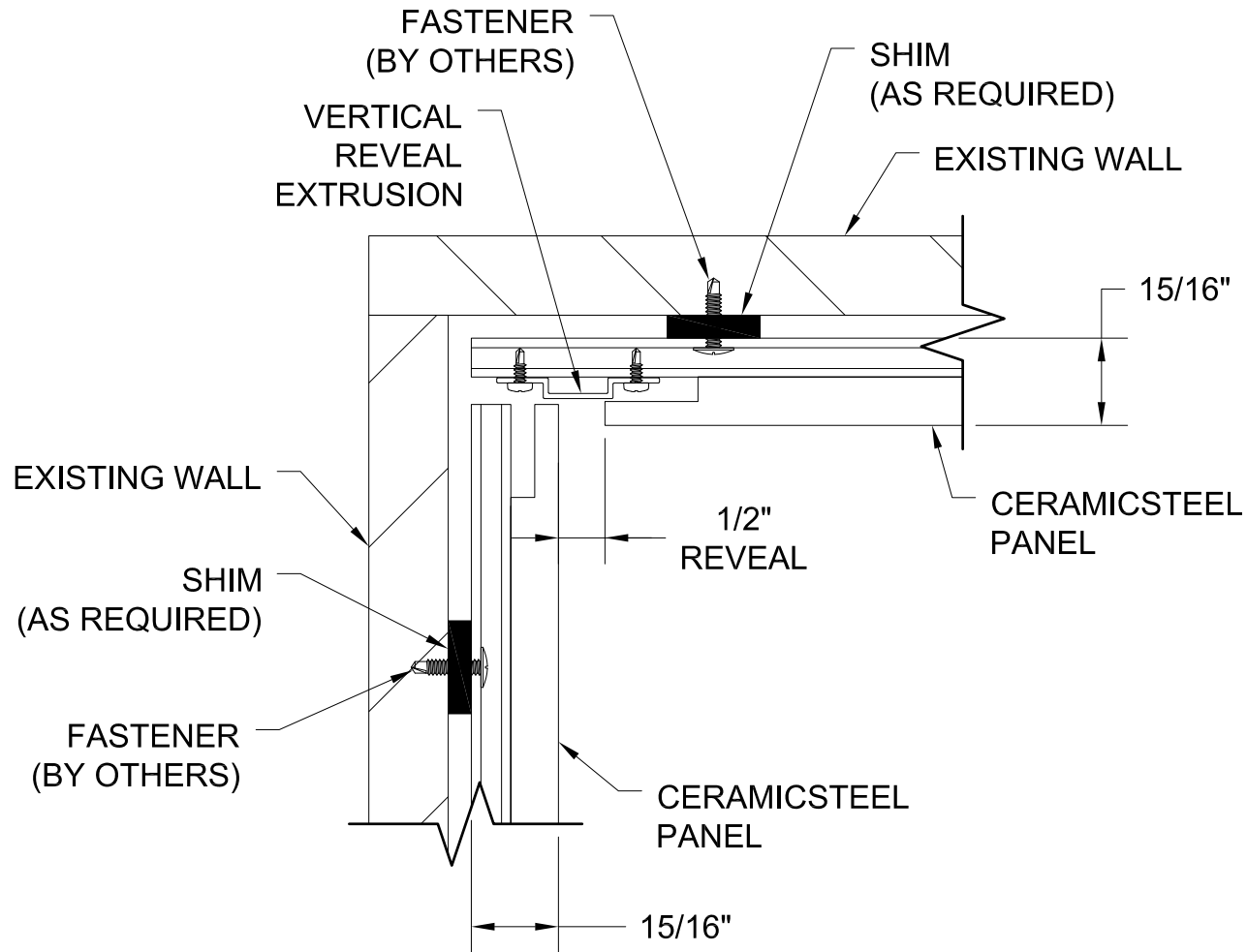
5023 Hazel Jones Rd.  
Bossier City, LA 71111  
800.747.8954  
GORDON-INC.COM  
sales@gordon-inc.com

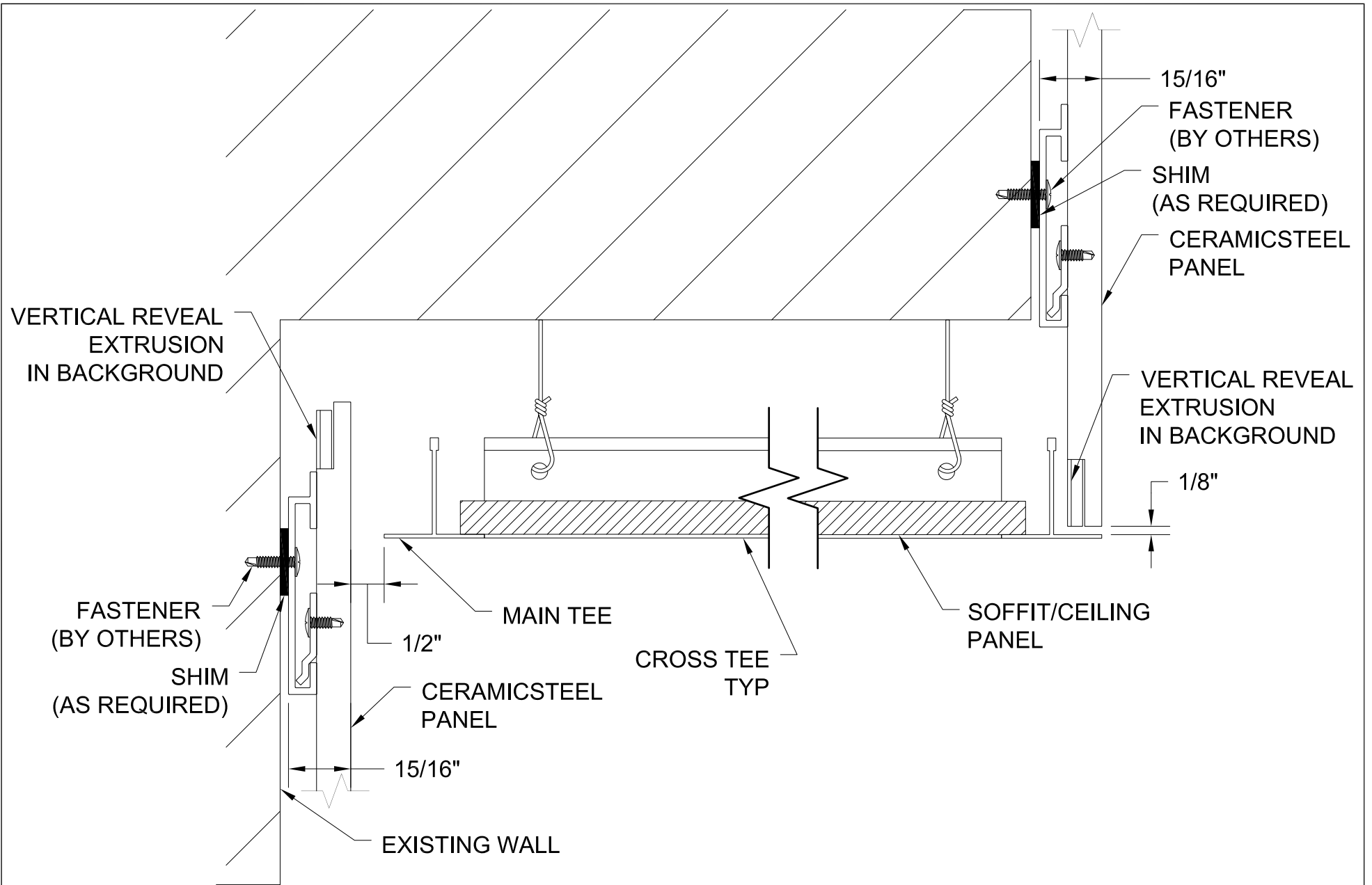
CERAMICSTEEL WALLS  
PG MR - 1000 SERIES  
VERTICAL JOINT - SECTION D







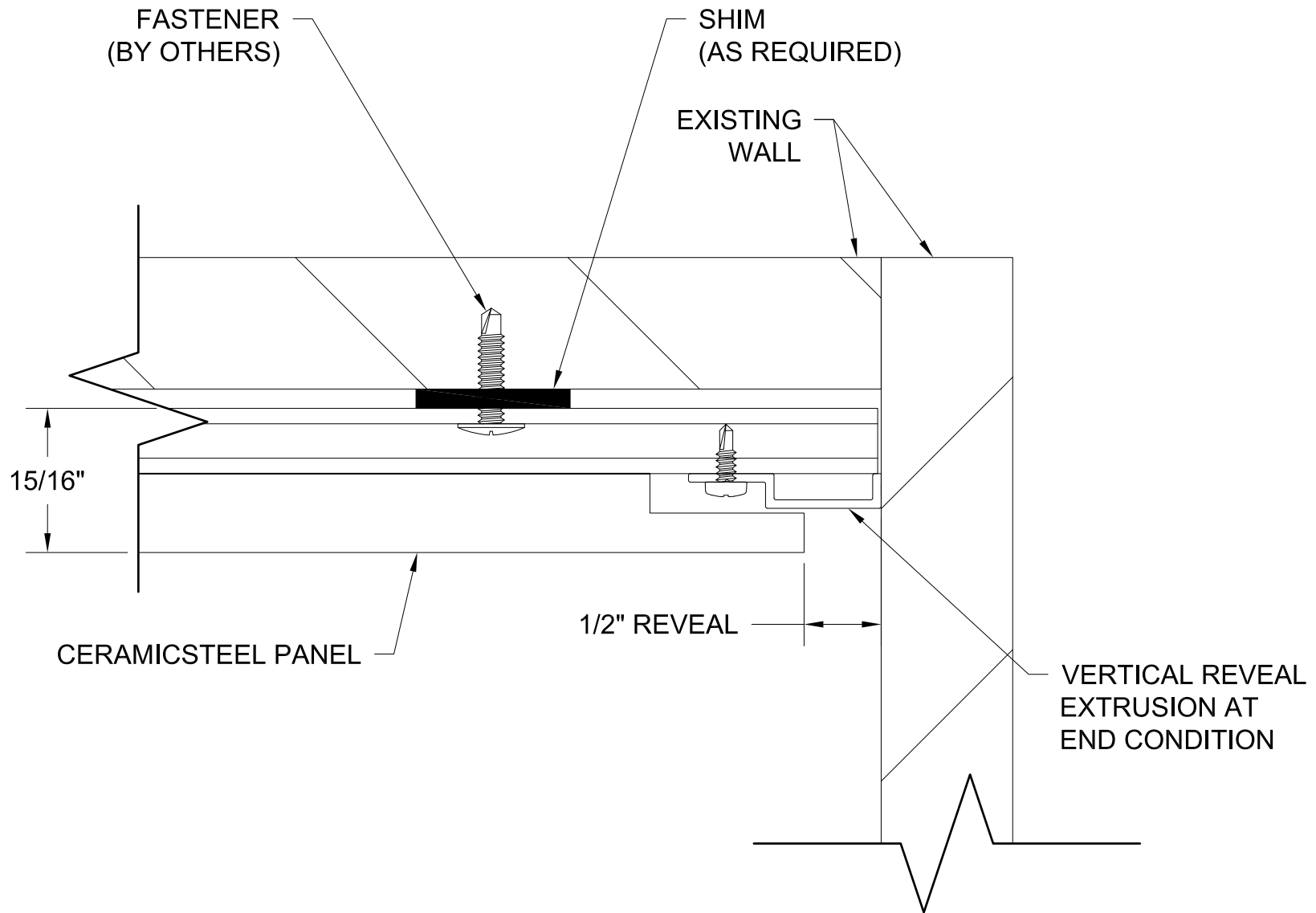




**GORDON**®  
 ARCHITECTURAL+ENGINEERED SOLUTIONS

5023 Hazel Jones Rd.  
 Bossier City, LA 71111  
 800.747.8954  
 GORDON-INC.COM  
 sales@gordon-inc.com

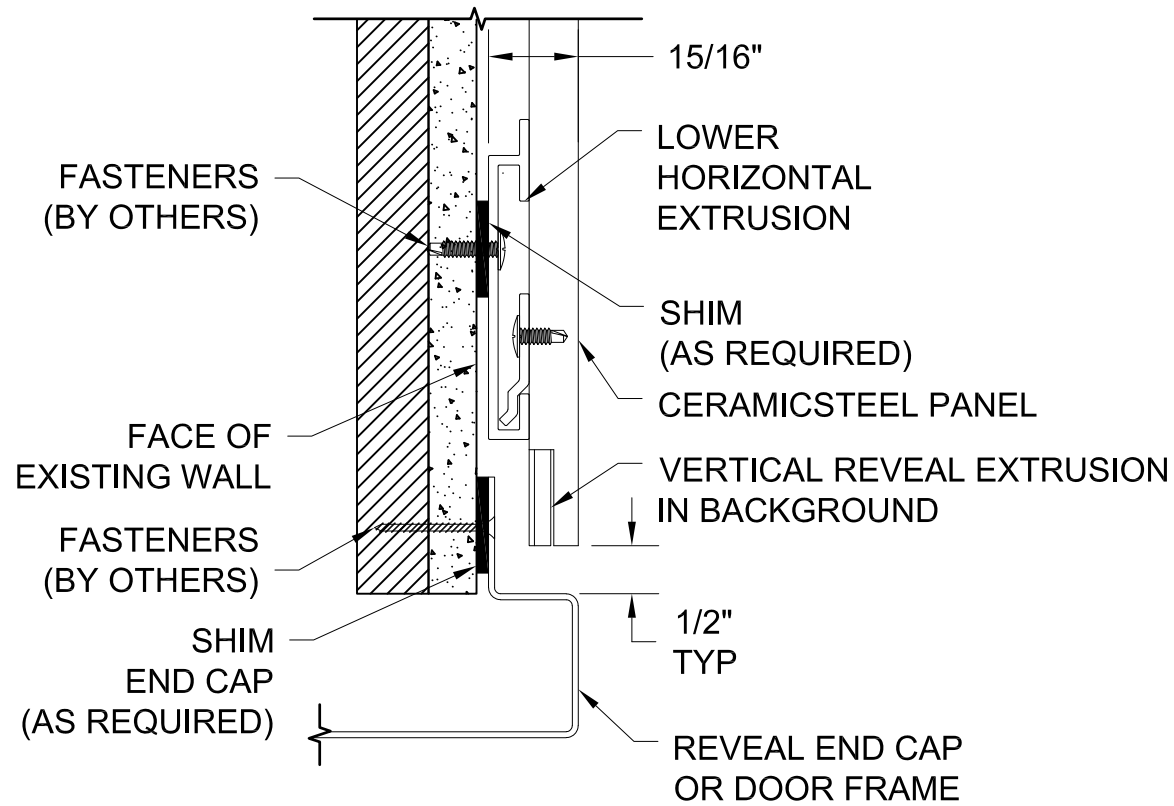
**CERAMICSTEEL WALLS**  
**PG MR - 1000 SERIES**  
**SOFFIT TO FASCIA - SECTION G**

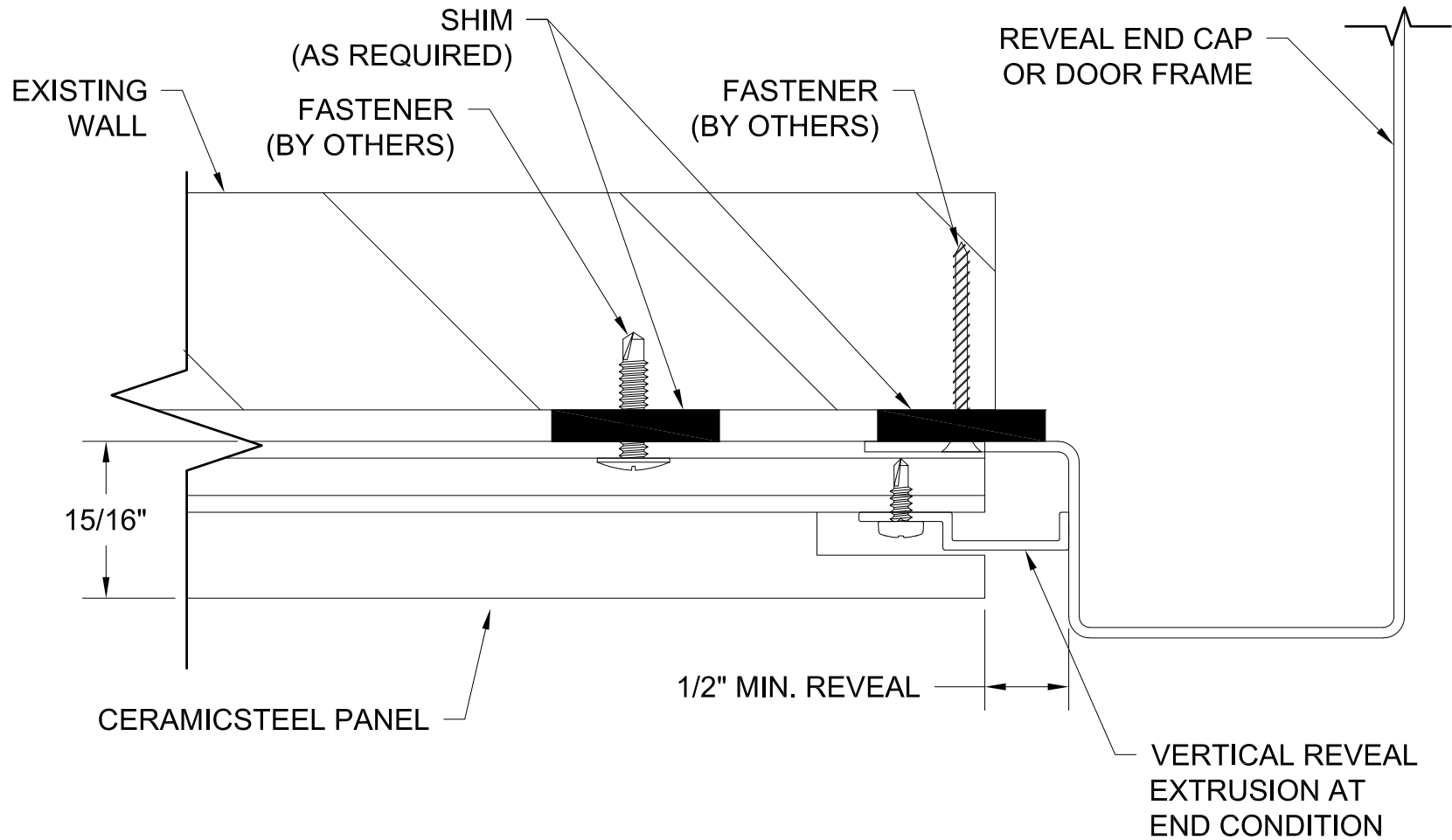


**GORDON**®  
ARCHITECTURAL+ENGINEERED SOLUTIONS

5023 Hazel Jones Rd.  
Bossier City, LA 71111  
800.747.8954  
GORDON-INC.COM  
sales@gordon-inc.com

CERAMICSTEEL WALLS  
PG MR - 1000 SERIES  
END WALL - SECTION H

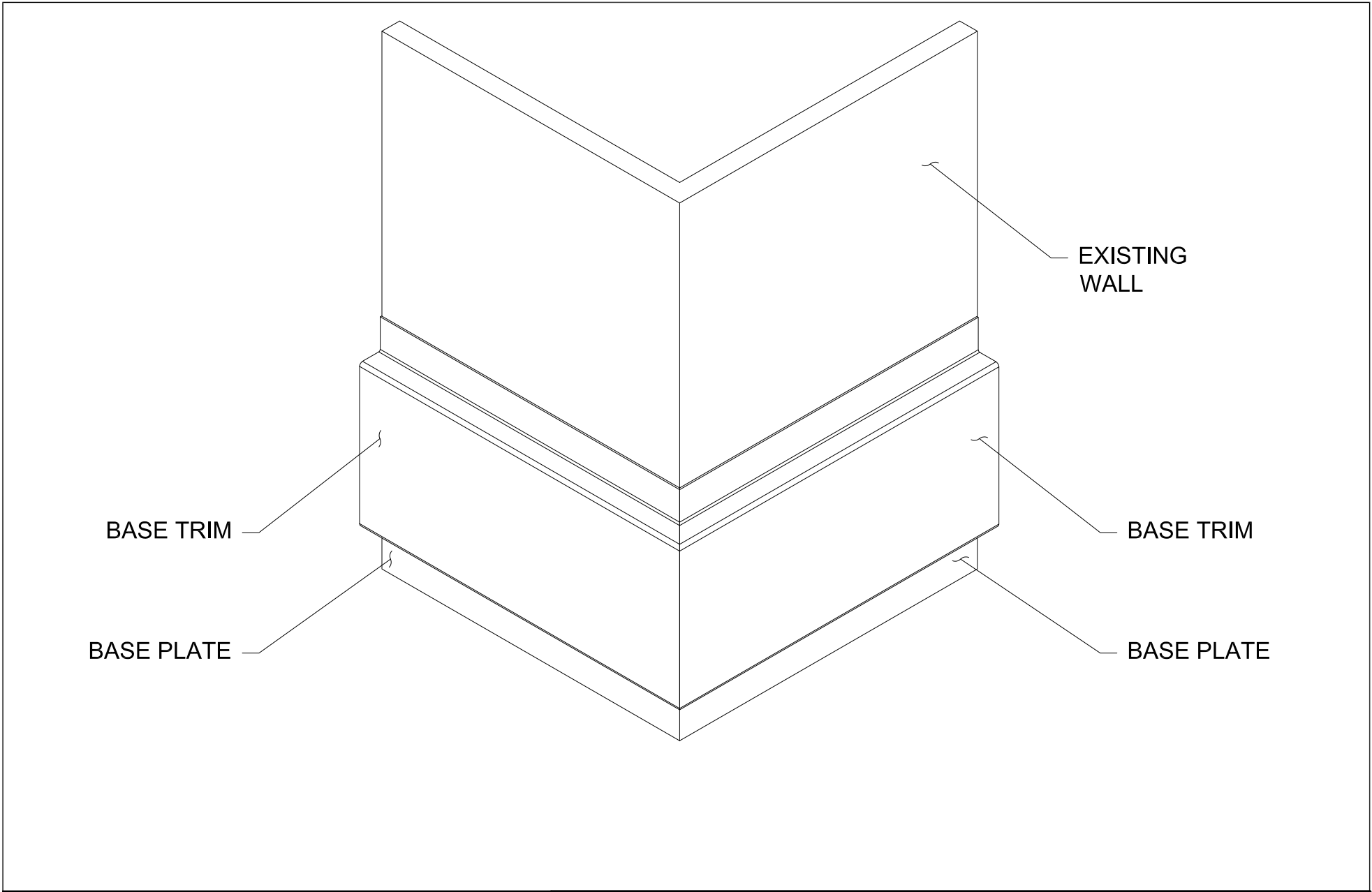




**GORDON**®  
ARCHITECTURAL+ENGINEERED SOLUTIONS

5023 Hazel Jones Rd.  
Bossier City, LA 71111  
800.747.8954  
GORDON-INC.COM  
sales@gordon-inc.com

CERAMICSTEEL WALLS  
PG MR - 1000 SERIES  
END WALL - SECTION K



BASE TRIM

EXISTING WALL

BASE TRIM

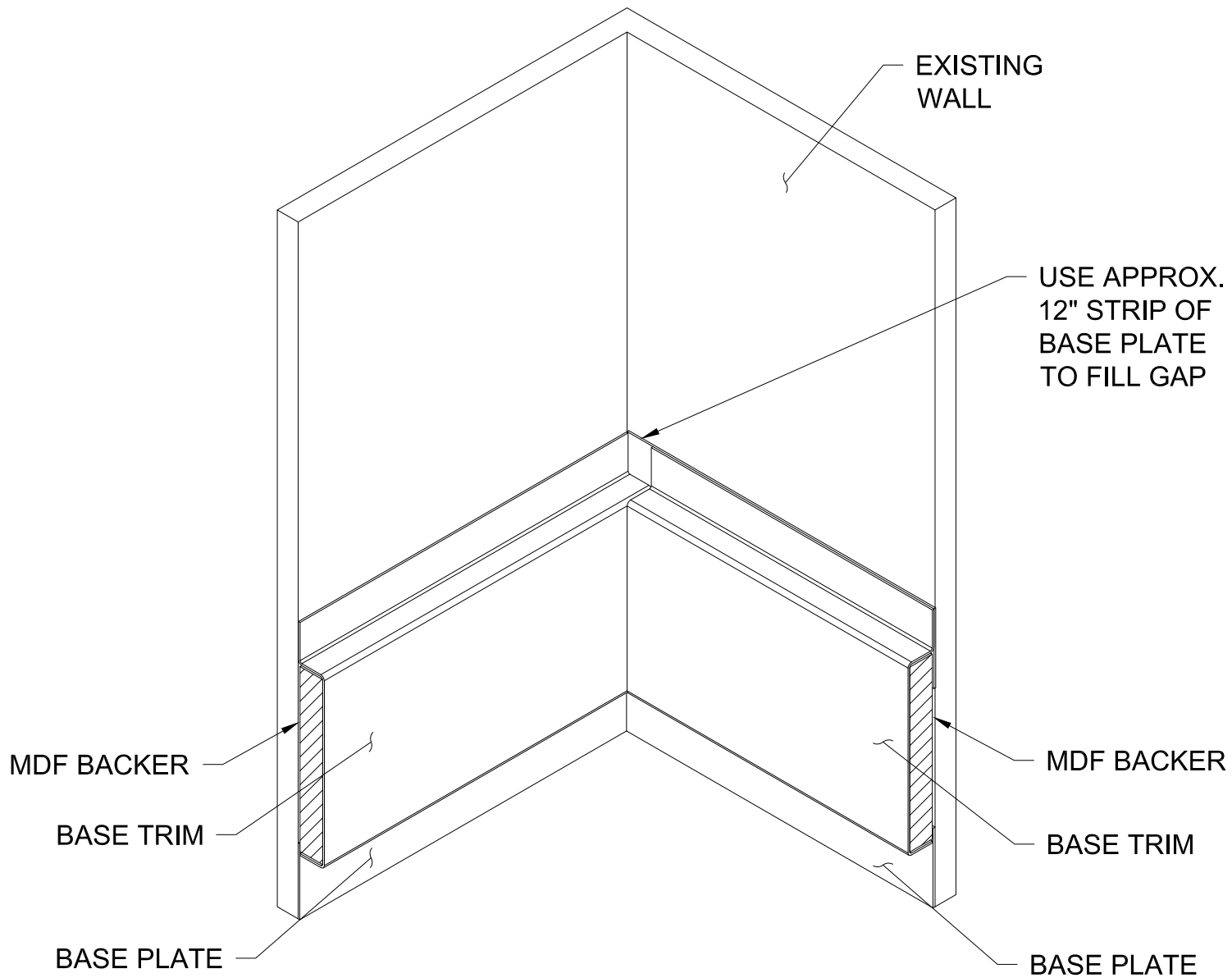
BASE PLATE

BASE PLATE

**GORDON**®  
ARCHITECTURAL+ENGINEERED SOLUTIONS

5023 Hazel Jones Rd.  
Bossier City, LA 71111  
800.747.8954  
GORDON-INC.COM  
sales@gordon-inc.com

CERAMICSTEEL WALLS  
PG MR - 1000 SERIES  
BASE OUTSIDE CORNER - DETAIL M



**GORDON**<sup>®</sup>  
 ARCHITECTURAL+ENGINEERED SOLUTIONS

5023 Hazel Jones Rd.  
 Bossier City, LA 71111  
 800.747.8954  
 GORDON-INC.COM  
 sales@gordon-inc.com

CERAMICSTEEL WALLS  
 PG MR - 1000 SERIES  
 BASE INSIDE CORNER - DETAIL N