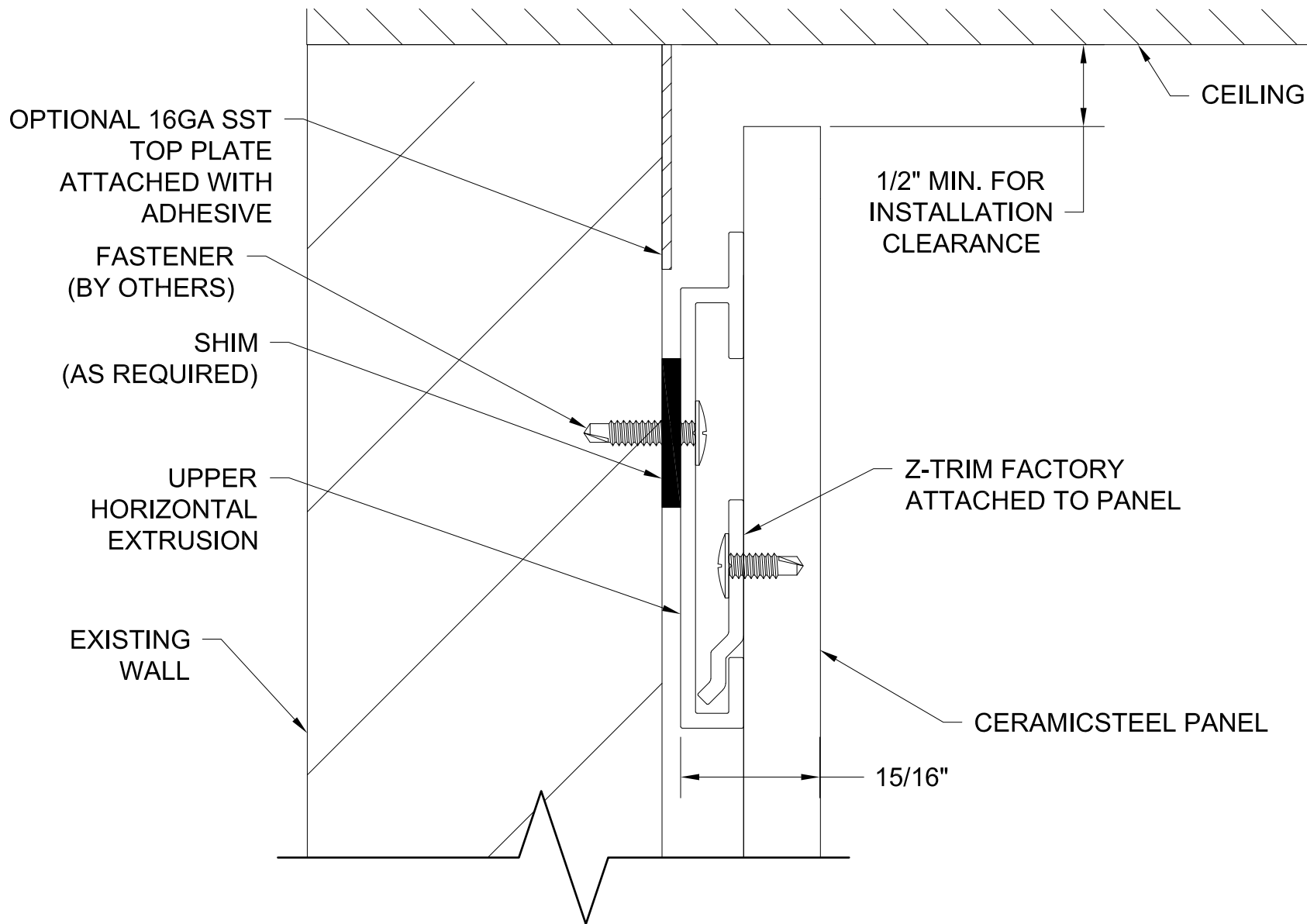
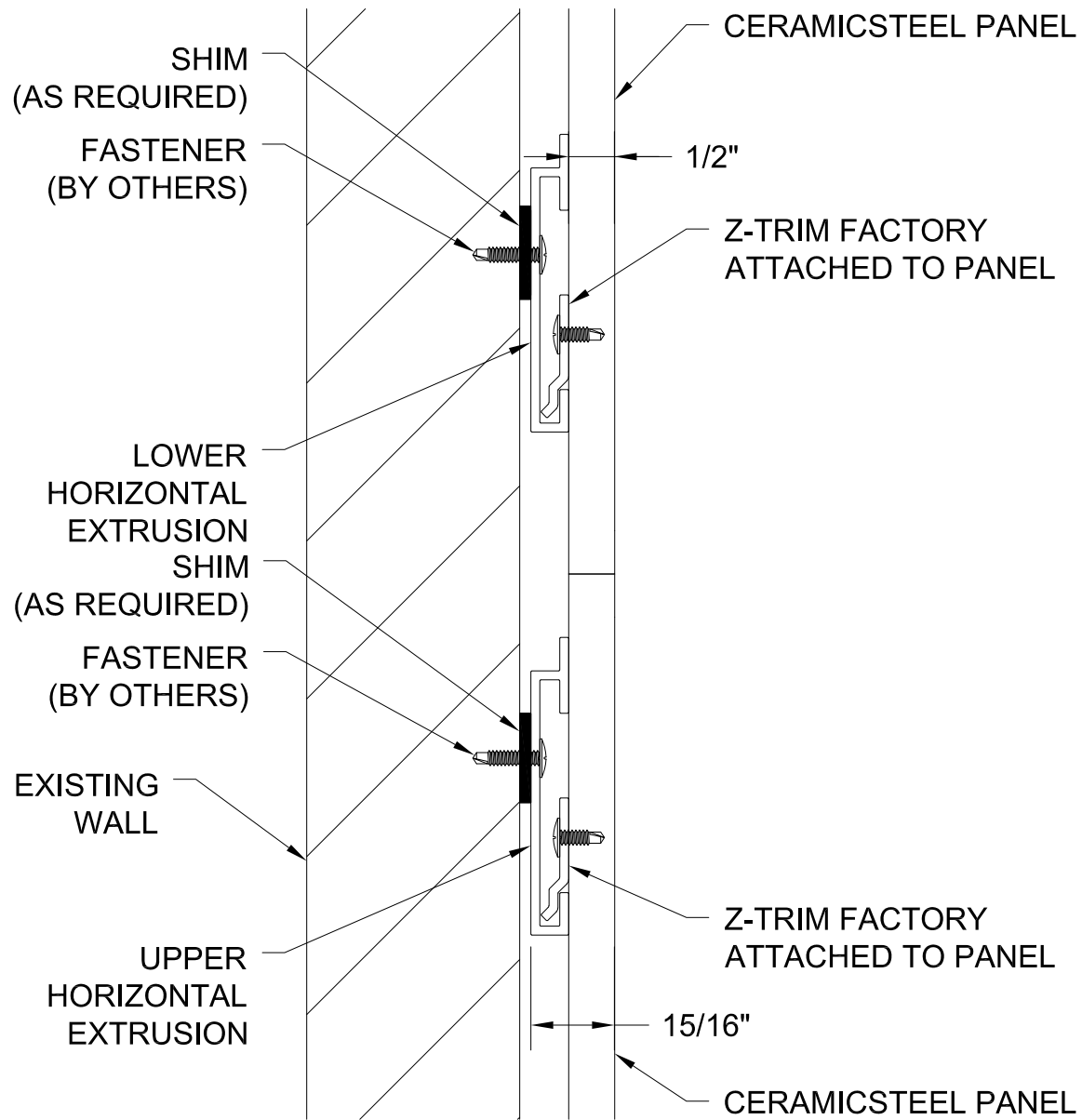


GORDON
ARCHITECTURAL+ENGINEERED SOLUTIONS

5023 Hazel Jones Rd.
Bossier City, LA 71111
800.747.8954
GORDON-INC.COM
sales@gordon-inc.com

CERAMICSTEEL WALLS
PG MC - 1000 SERIES
ISOMETRIC ASSEMBLY

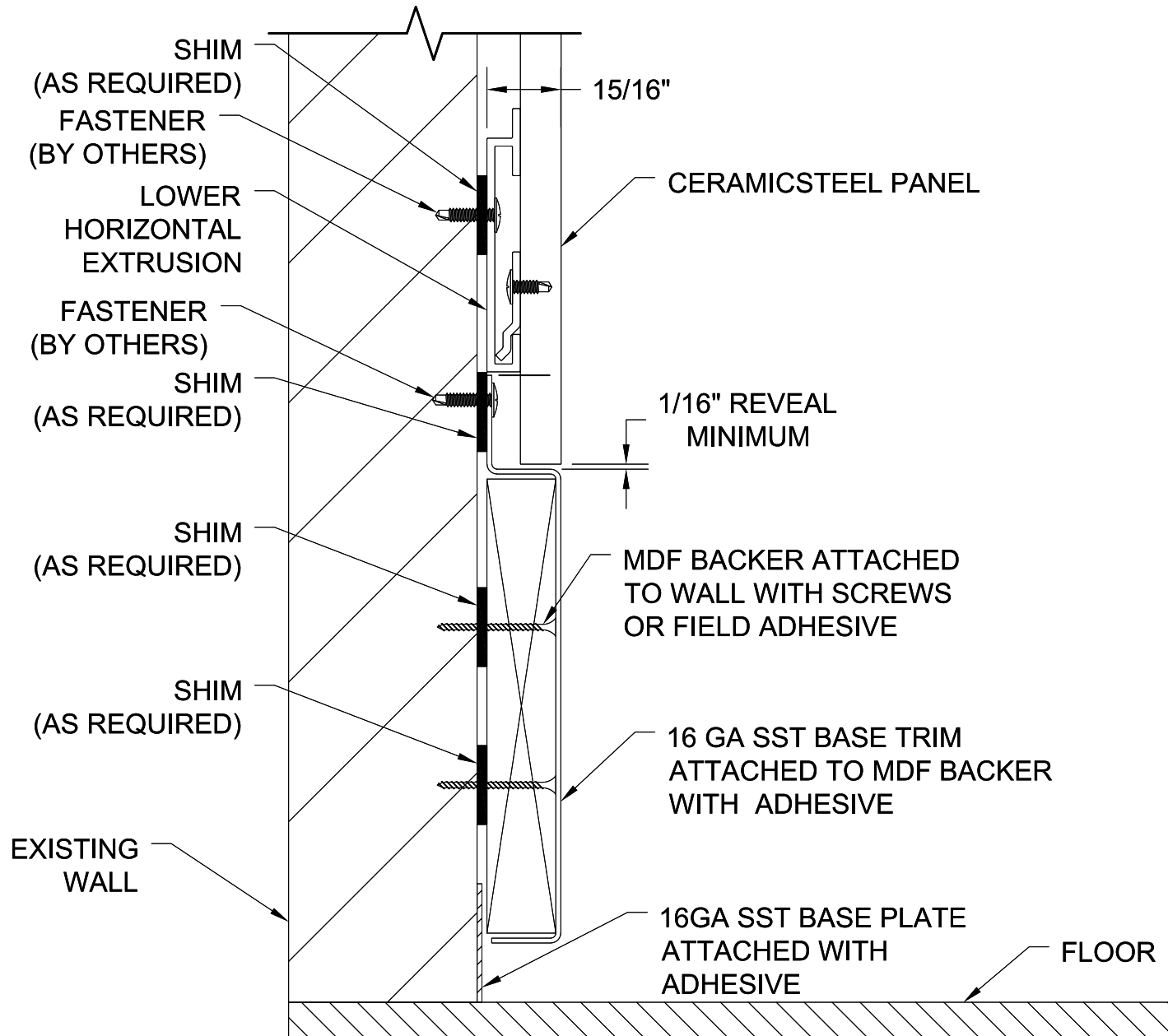




GORDON
ARCHITECTURAL+ENGINEERED SOLUTIONS

® 5023 Hazel Jones Rd.
Bossier City, LA 71111
800.747.8954
GORDON-INC.COM
sales@gordon-inc.com

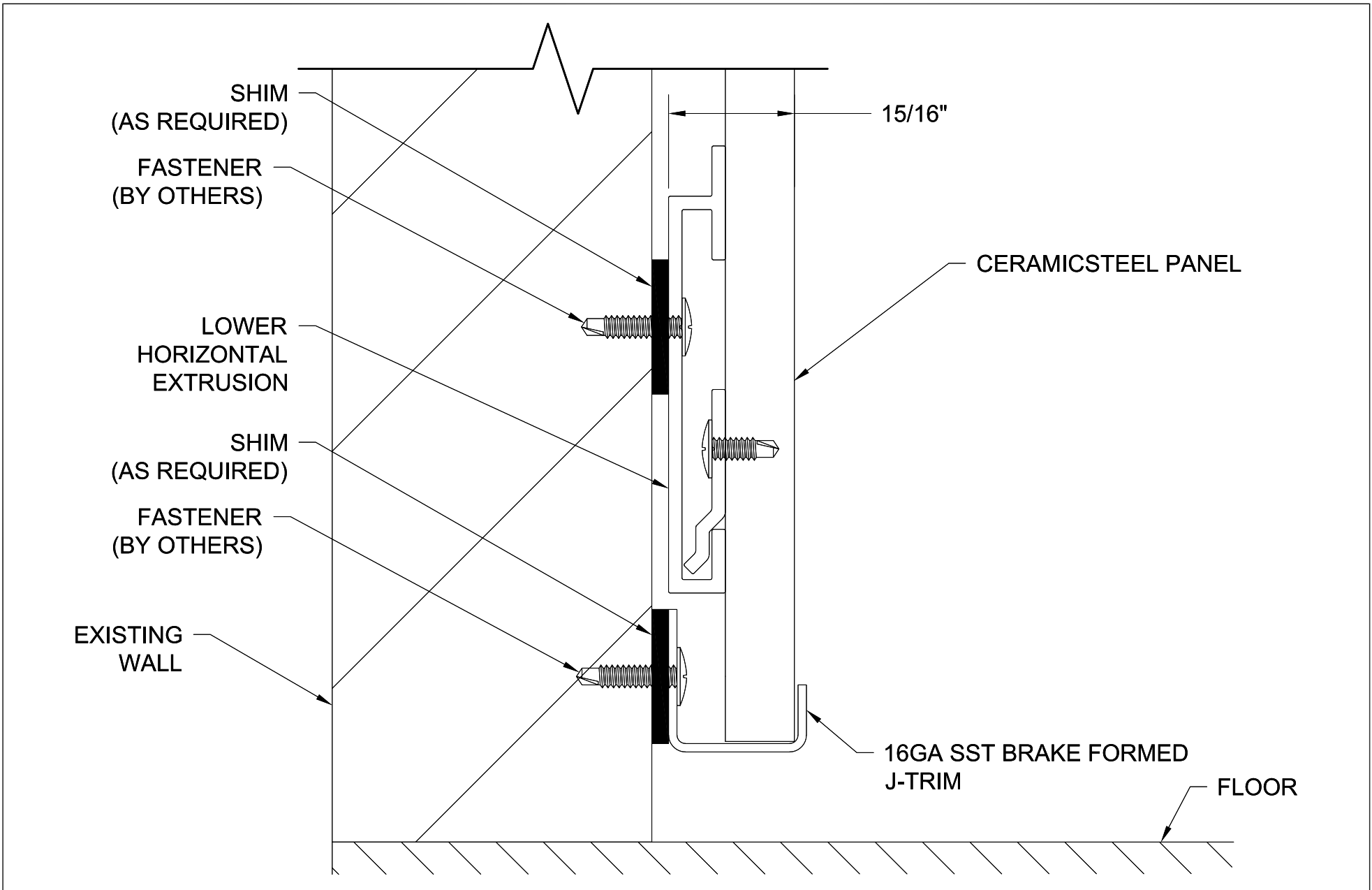
CERAMICSTEEL WALLS
PG MC - 1000 SERIES
HORIZONTAL JOINT - SECTION B



GORDON
ARCHITECTURAL+ENGINEERED SOLUTIONS

5023 Hazel Jones Rd.
Bossier City, LA 71111
800.747.8954
GORDON-INC.COM
sales@gordon-inc.com

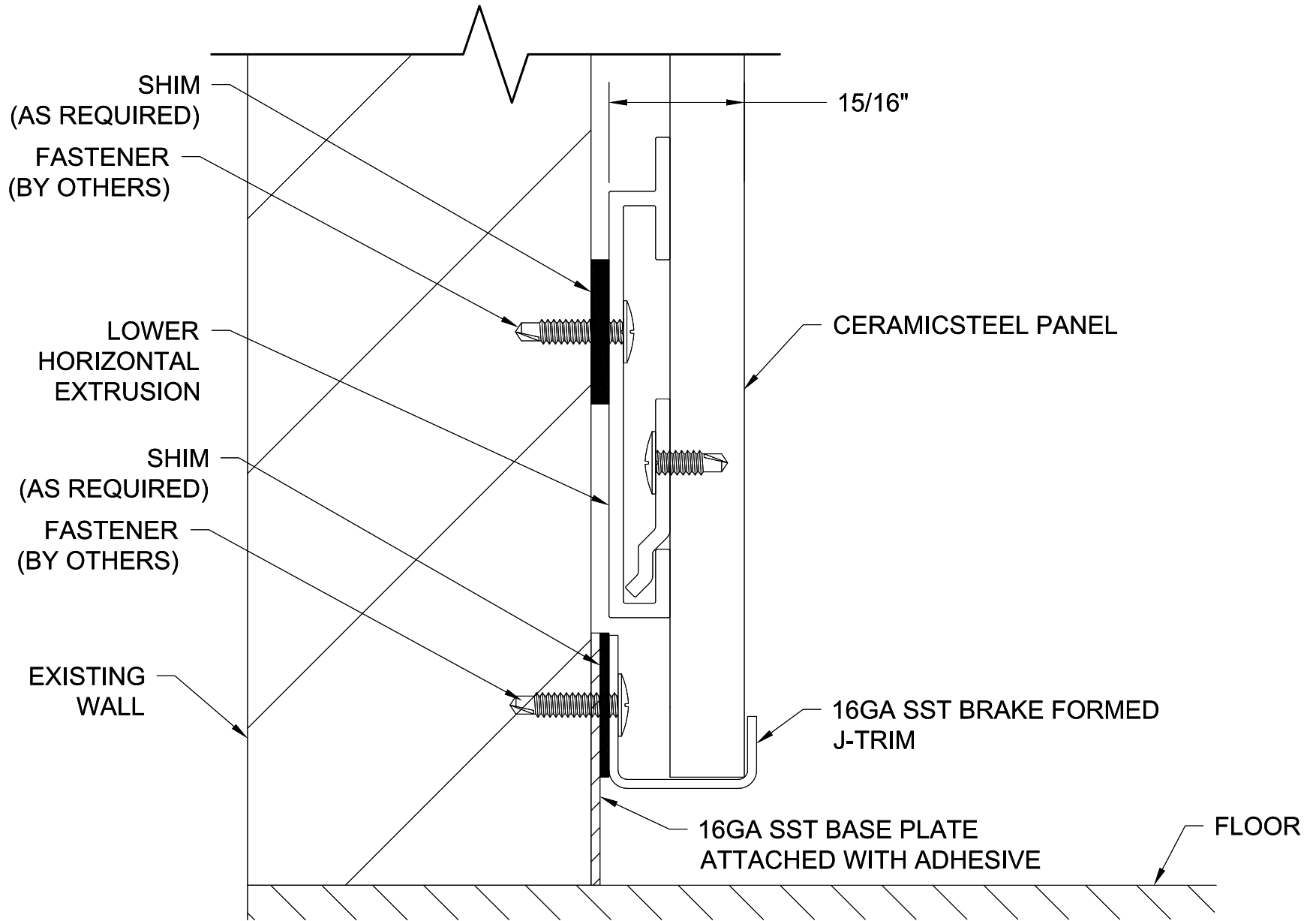
**CERAMICSTEEL WALLS
PG MC - 1000 SERIES
BASE - SECTION C**



GORDON
ARCHITECTURAL+ENGINEERED SOLUTIONS

5023 Hazel Jones Rd.
Bossier City, LA 71111
800.747.8954
GORDON-INC.COM
sales@gordon-inc.com

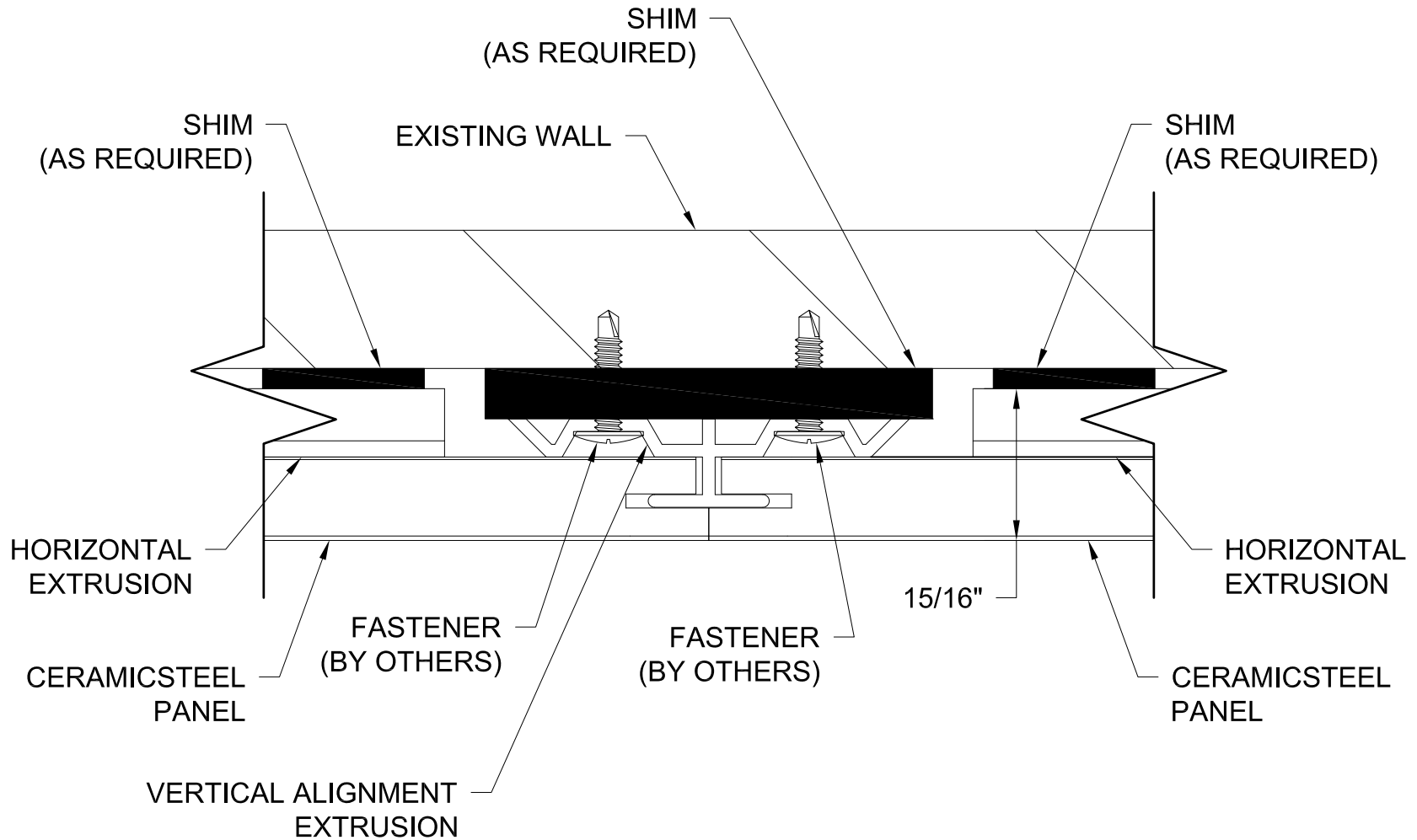
**CERAMICSTEEL WALLS
PG MC - 1000 SERIES
BASE - SECTION C1**



GORDON®
ARCHITECTURAL+ENGINEERED SOLUTIONS

5023 Hazel Jones Rd.
Bossier City, LA 71111
800.747.8954
GORDON-INC.COM
sales@gordon-inc.com

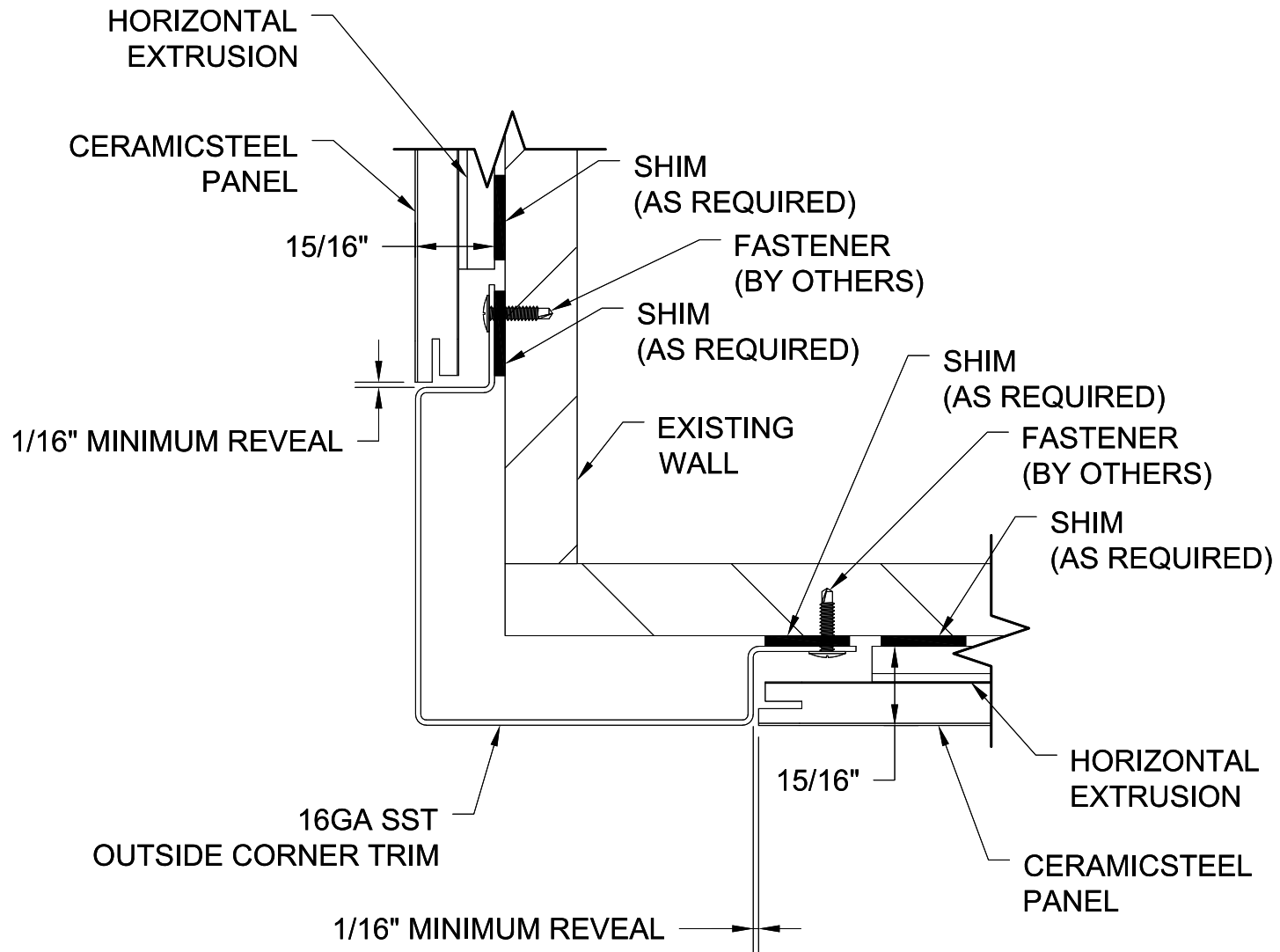
CERAMICSTEEL WALLS
PG MC - 1000 SERIES
BASE - SECTION C2

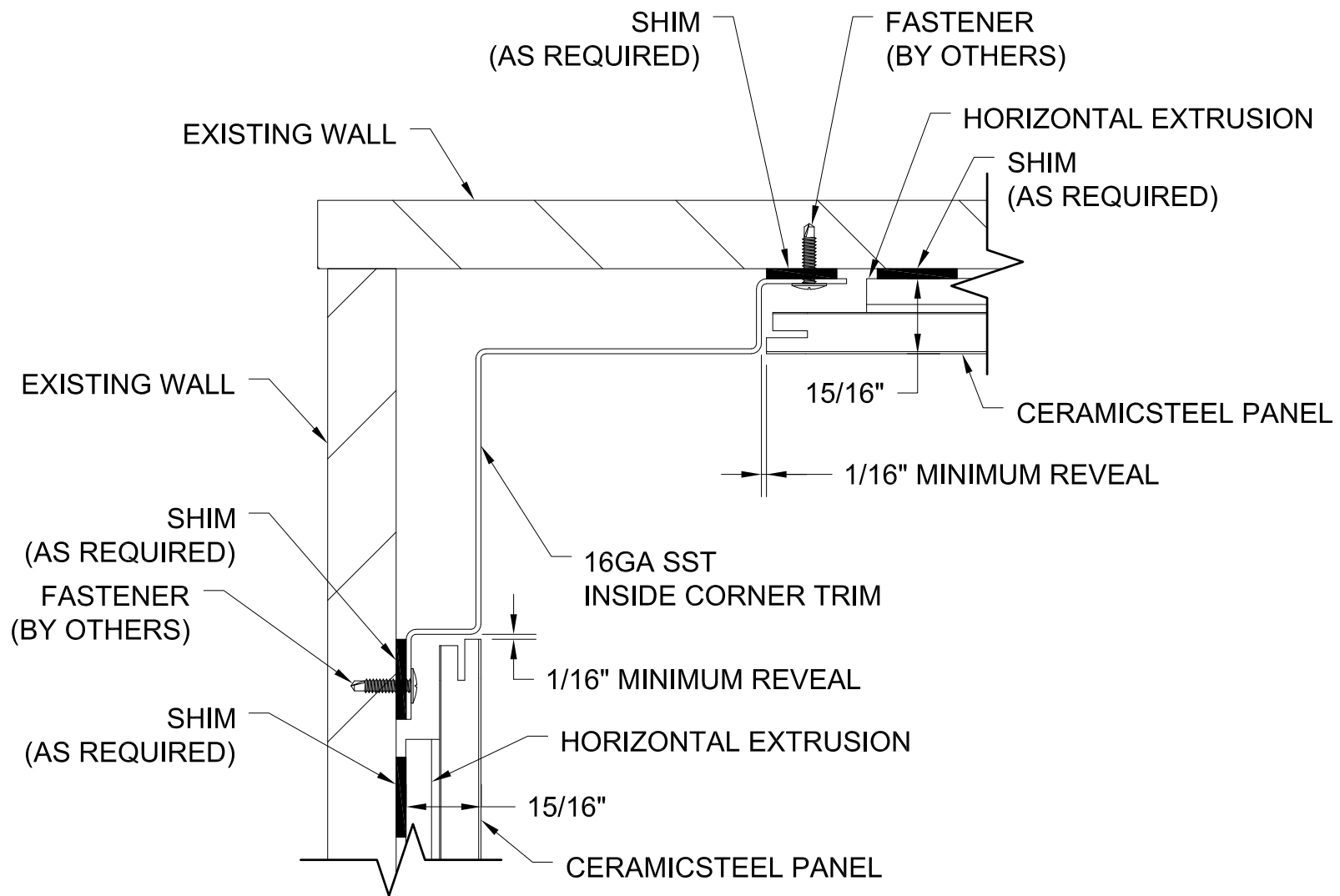


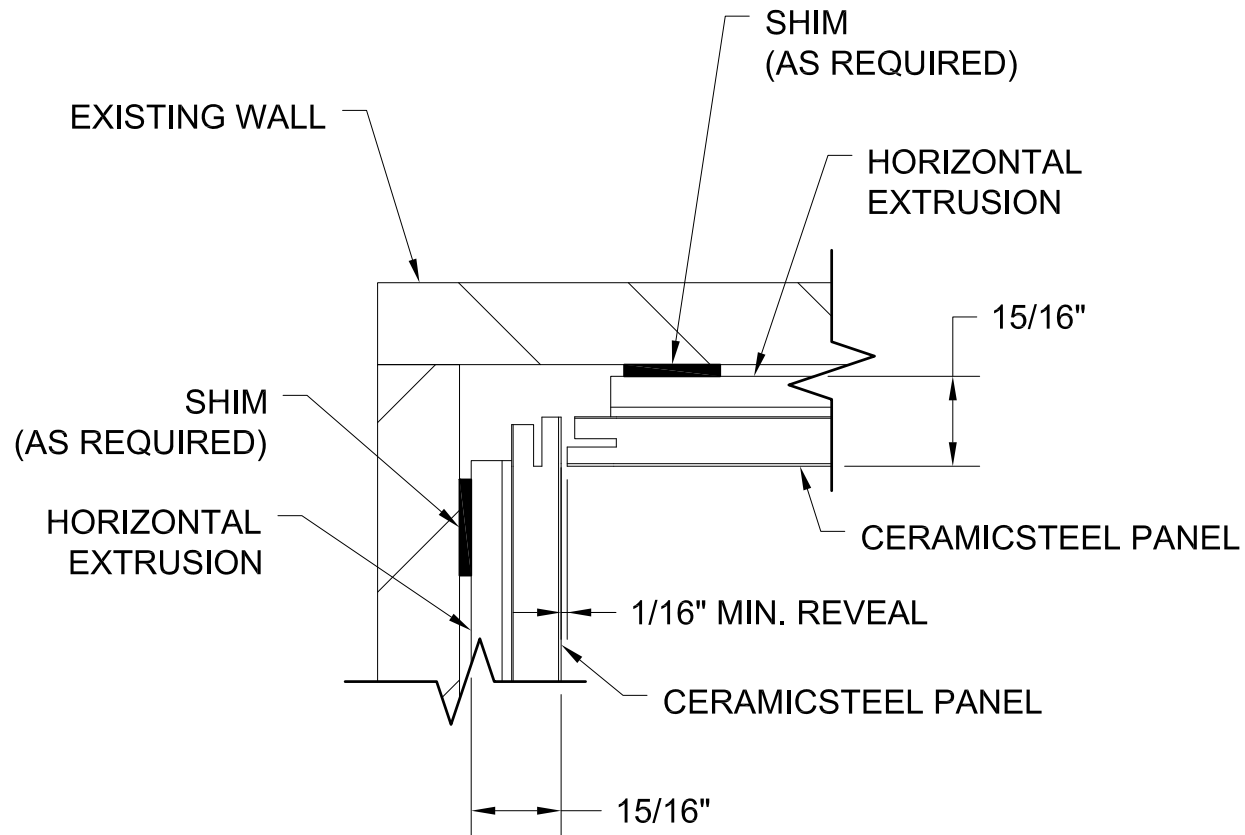
GORDON
ARCHITECTURAL+ENGINEERED SOLUTIONS

© 5023 Hazel Jones Rd.
Bossier City, LA 71111
800.747.8954
GORDON-INC.COM
sales@gordon-inc.com

**CERAMICSTEEL WALLS
PG MC - 1000 SERIES
VERTICAL JOINT - SECTION D**



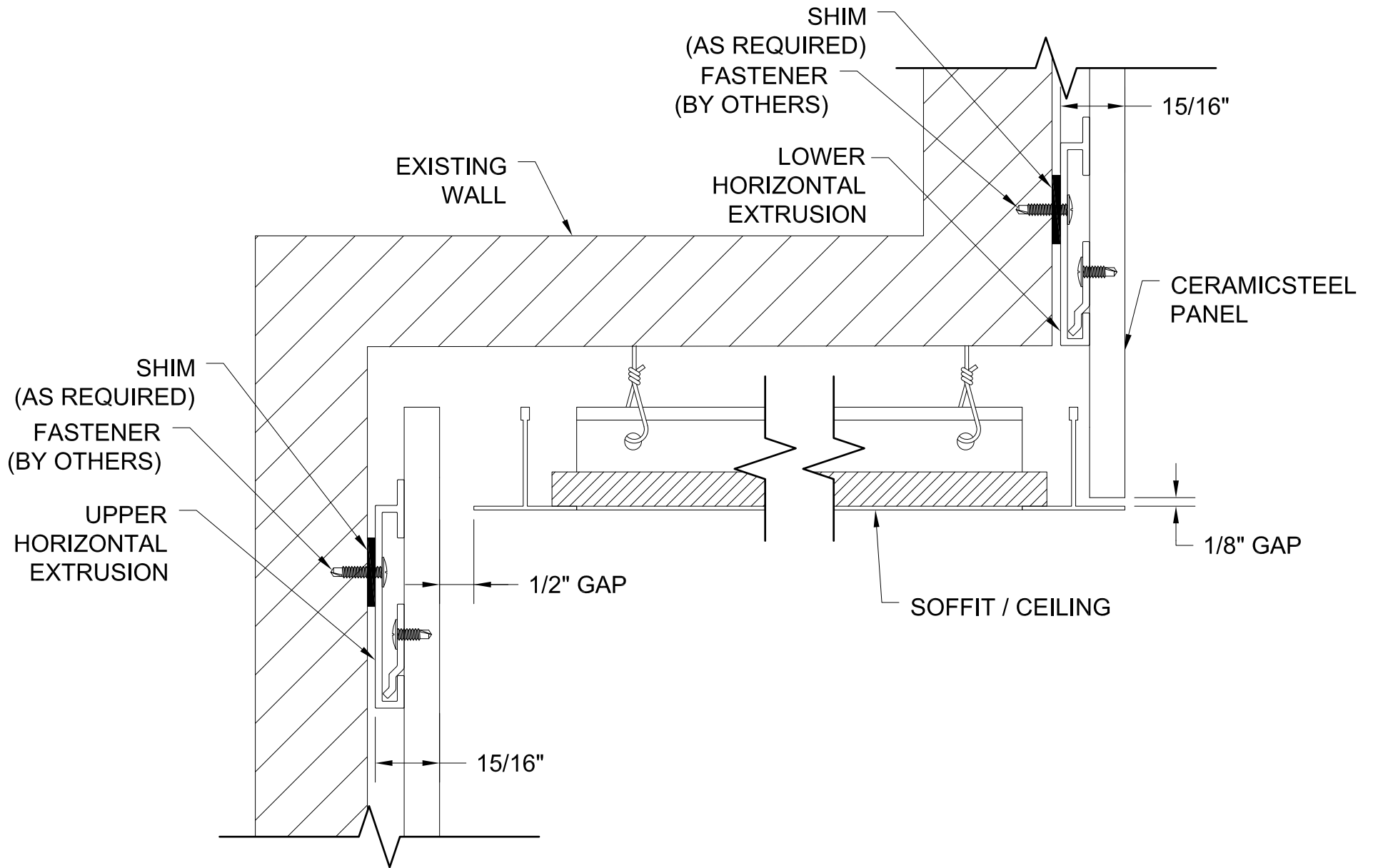




GORDON®
ARCHITECTURAL+ENGINEERED SOLUTIONS

5023 Hazel Jones Rd.
Bossier City, LA 71111
800.747.8954
GORDON-INC.COM
sales@gordon-inc.com

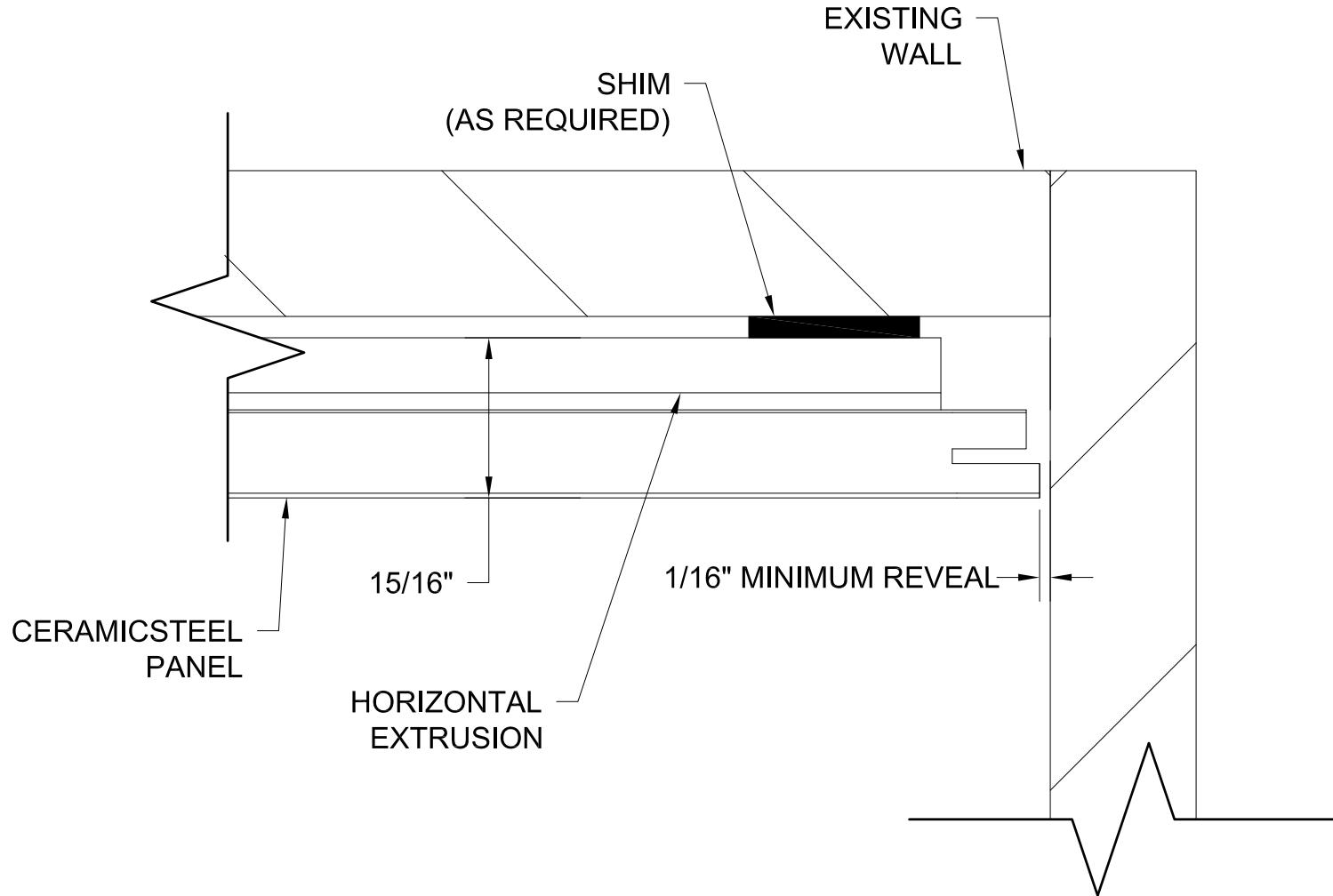
CERAMICSTEEL WALLS
PG MC - 1000 SERIES
INSIDE CORNER - SECTION F1



GORDON
ARCHITECTURAL+ENGINEERED SOLUTIONS

© 5023 Hazel Jones Rd.
Bossier City, LA 71111
800.747.8954
GORDON-INC.COM
sales@gordon-inc.com

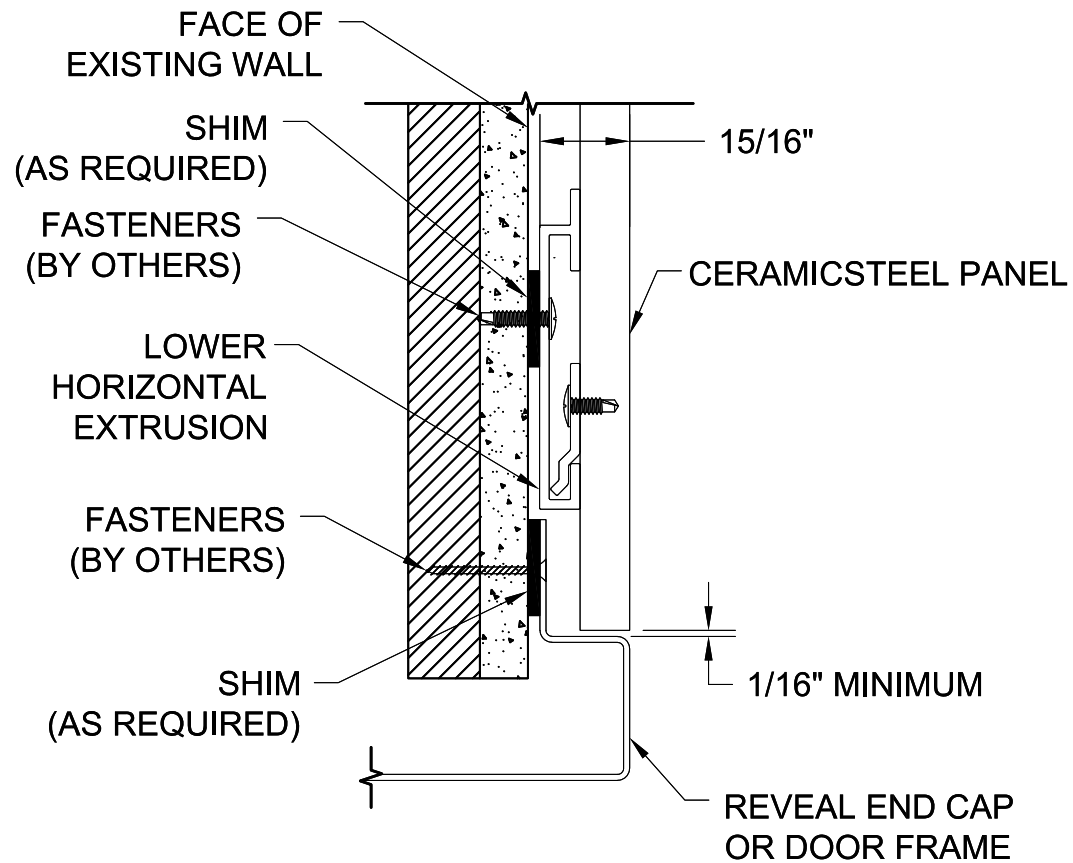
CERAMICSTEEL WALLS
PG MC - 1000 SERIES
SOFFIT TO FASCIA - SECTION G



GORDON®
ARCHITECTURAL+ENGINEERED SOLUTIONS

5023 Hazel Jones Rd.
Bossier City, LA 71111
800.747.8954
GORDON-INC.COM
sales@gordon-inc.com

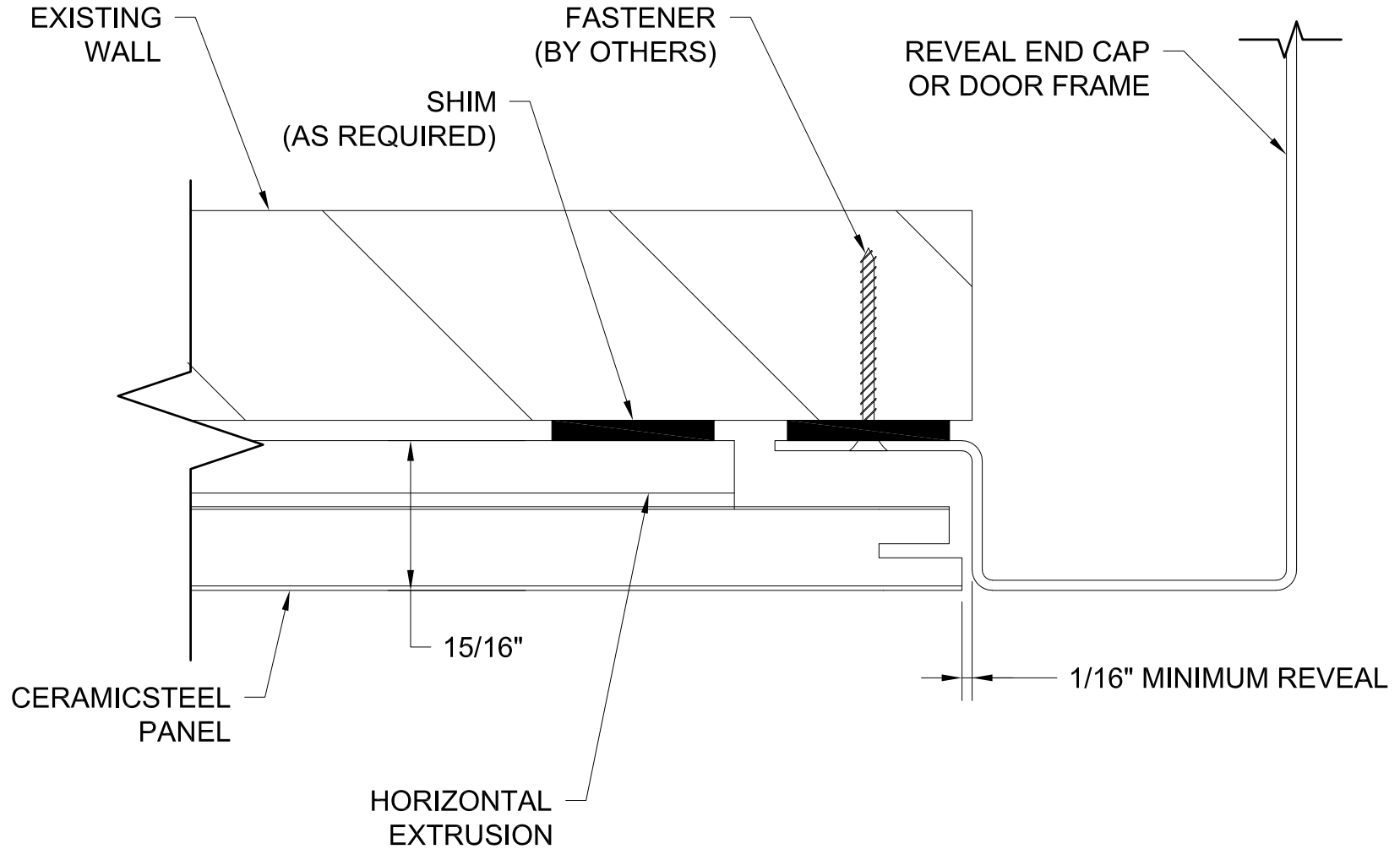
CERAMICSTEEL WALLS
PG MC - 1000 SERIES
END WALL - SECTION H



GORDON
ARCHITECTURAL+ENGINEERED SOLUTIONS

© 5023 Hazel Jones Rd.
Bossier City, LA 71111
800.747.8954
GORDON-INC.COM
sales@gordon-inc.com

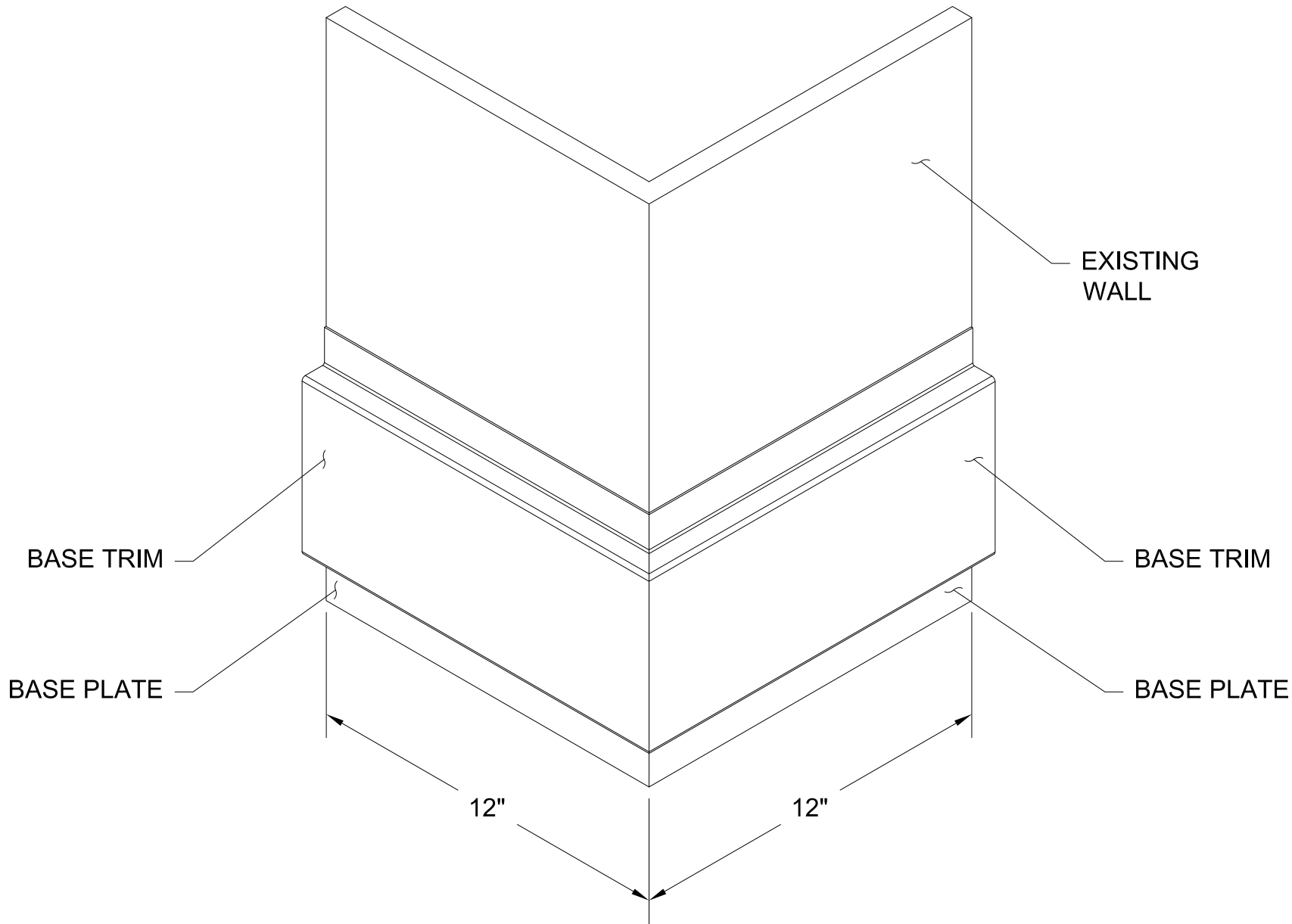
CERAMICSTEEL WALLS
PG MC - 1000 SERIES
ABOVE DOOR - SECTION J



GORDON®
ARCHITECTURAL+ENGINEERED SOLUTIONS

5023 Hazel Jones Rd.
Bossier City, LA 71111
800.747.8954
GORDON-INC.COM
sales@gordon-inc.com

CERAMICSTEEL WALLS
PG MC- 1000 SERIES
END WALL - SECTION K



GORDON
ARCHITECTURAL+ENGINEERED SOLUTIONS

5023 Hazel Jones Rd.
Bossier City, LA 71111
800.747.8954
GORDON-INC.COM
sales@gordon-inc.com

CERAMICSTEEL WALLS
PG MC- 1000 SERIES
BASE OUTSIDE CORNER - DETAIL M

