

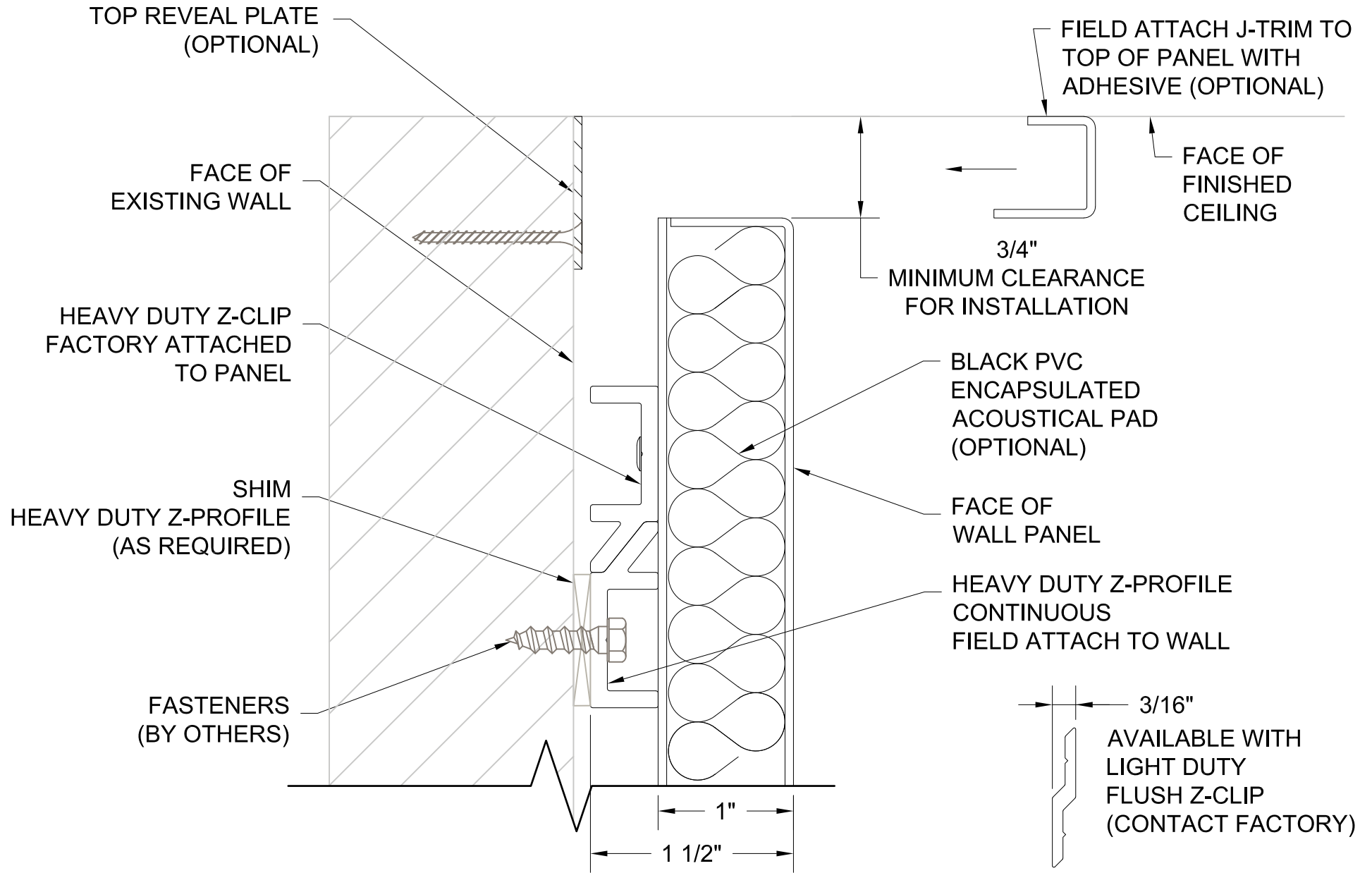
DETAIL N

DETAIL M

GORDON®
ARCHITECTURAL+ENGINEERED SOLUTIONS

5023 Hazel Jones Rd.
Bossier City, LA 71111
800.747.8954
GORDON-INC.COM
sales@gordon-inc.com

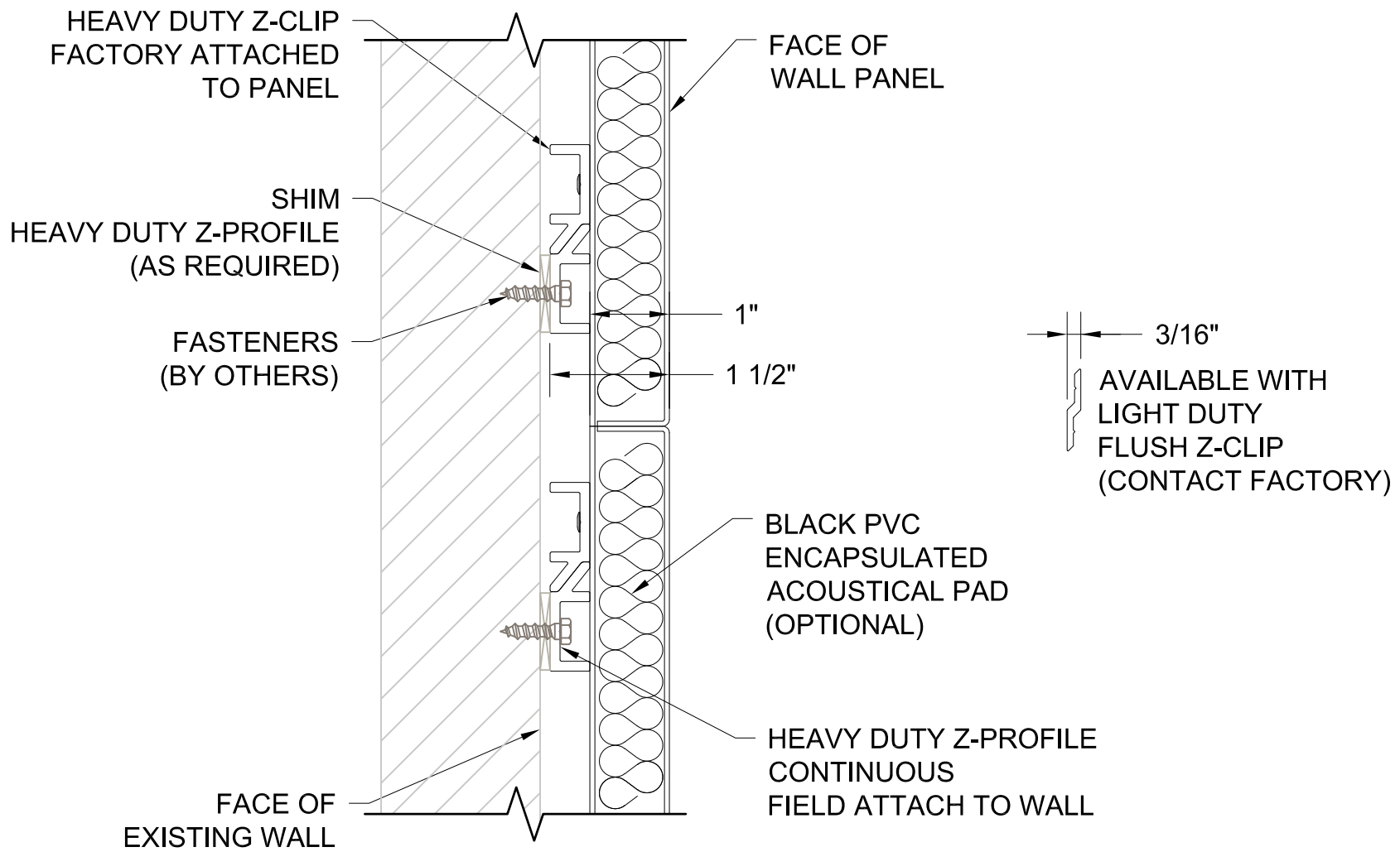
WALLS / CLADDINGS
WP MC - SOFT "V" FLUSH JOINT
ISOMETRIC VIEW



GORDON
 ARCHITECTURAL+ENGINEERED SOLUTIONS

© 5023 Hazel Jones Rd.
 Bossier City, LA 71111
 800.747.8954
 GORDON-INC.COM
 sales@gordon-inc.com

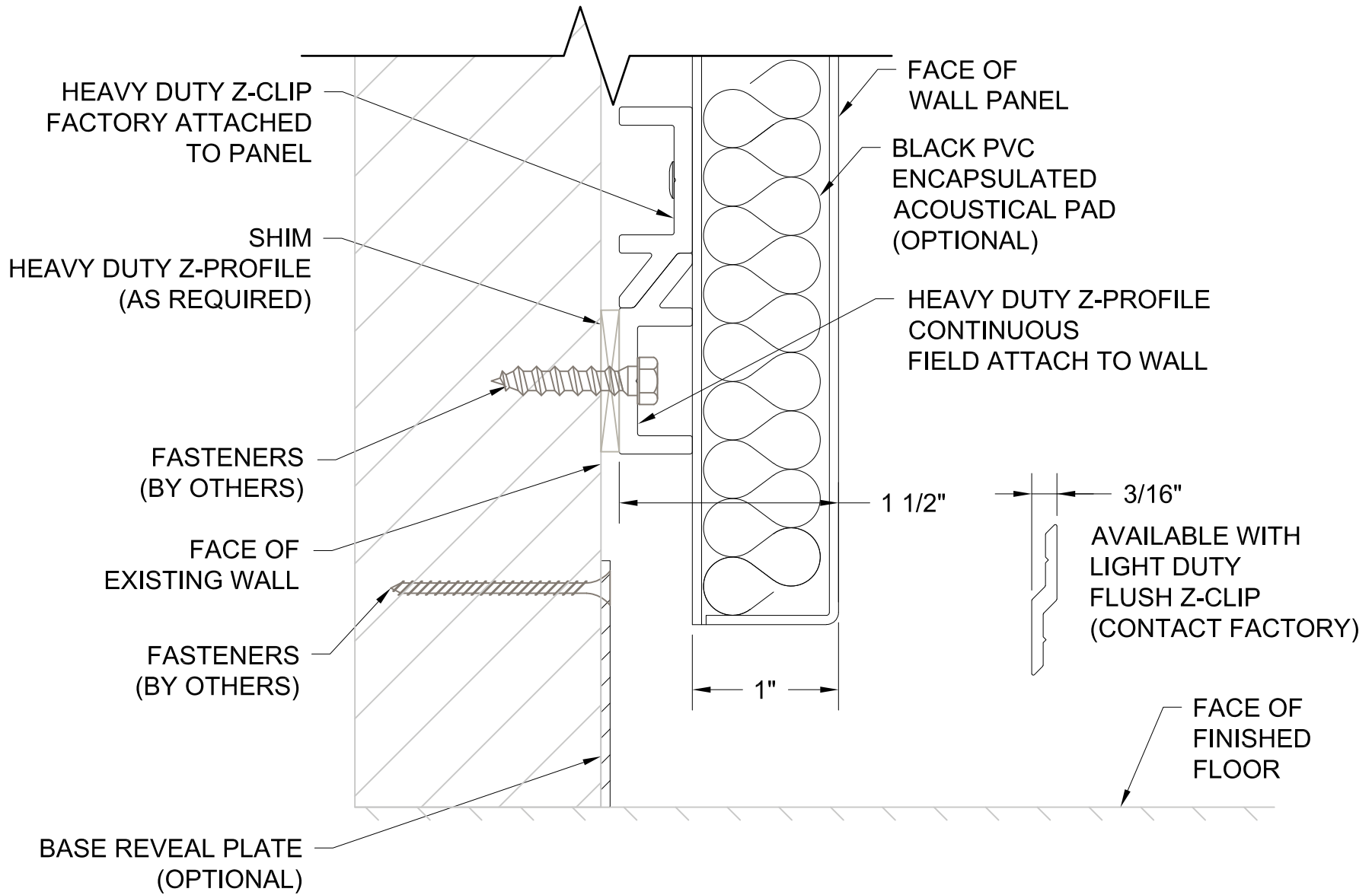
WALLS / CLADDINGS
 WP MC - SOFT "V" FLUSH JOINT
 TOP - SECTION A



GORDON[®]
ARCHITECTURAL+ENGINEERED SOLUTIONS

5023 Hazel Jones Rd.
Bossier City, LA 71111
800.747.8954
GORDON-INC.COM
sales@gordon-inc.com

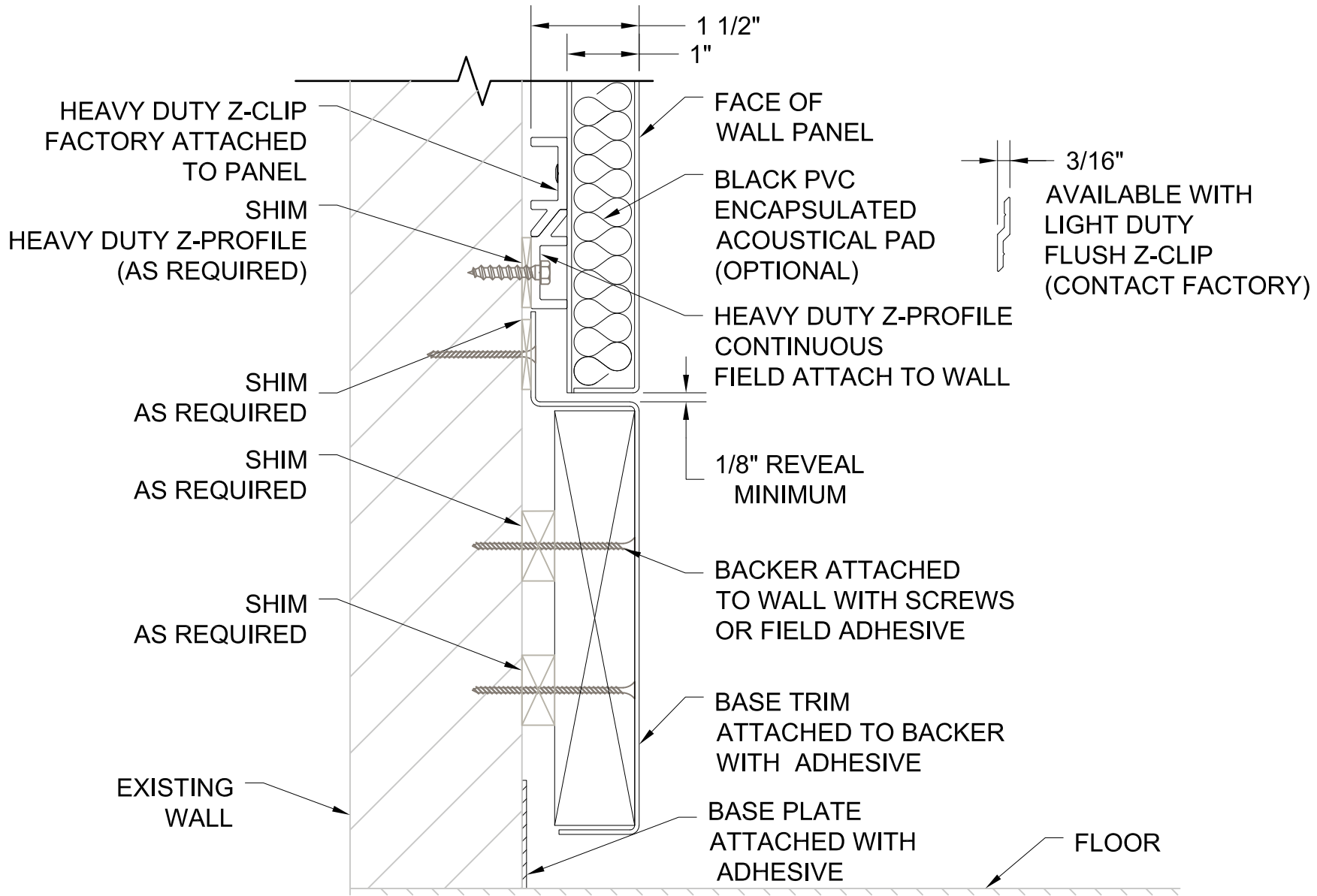
WALLS / CLADDINGS
WP MC - SOFT "V" FLUSH JOINT
HORIZONTAL JOINT - SECTION B

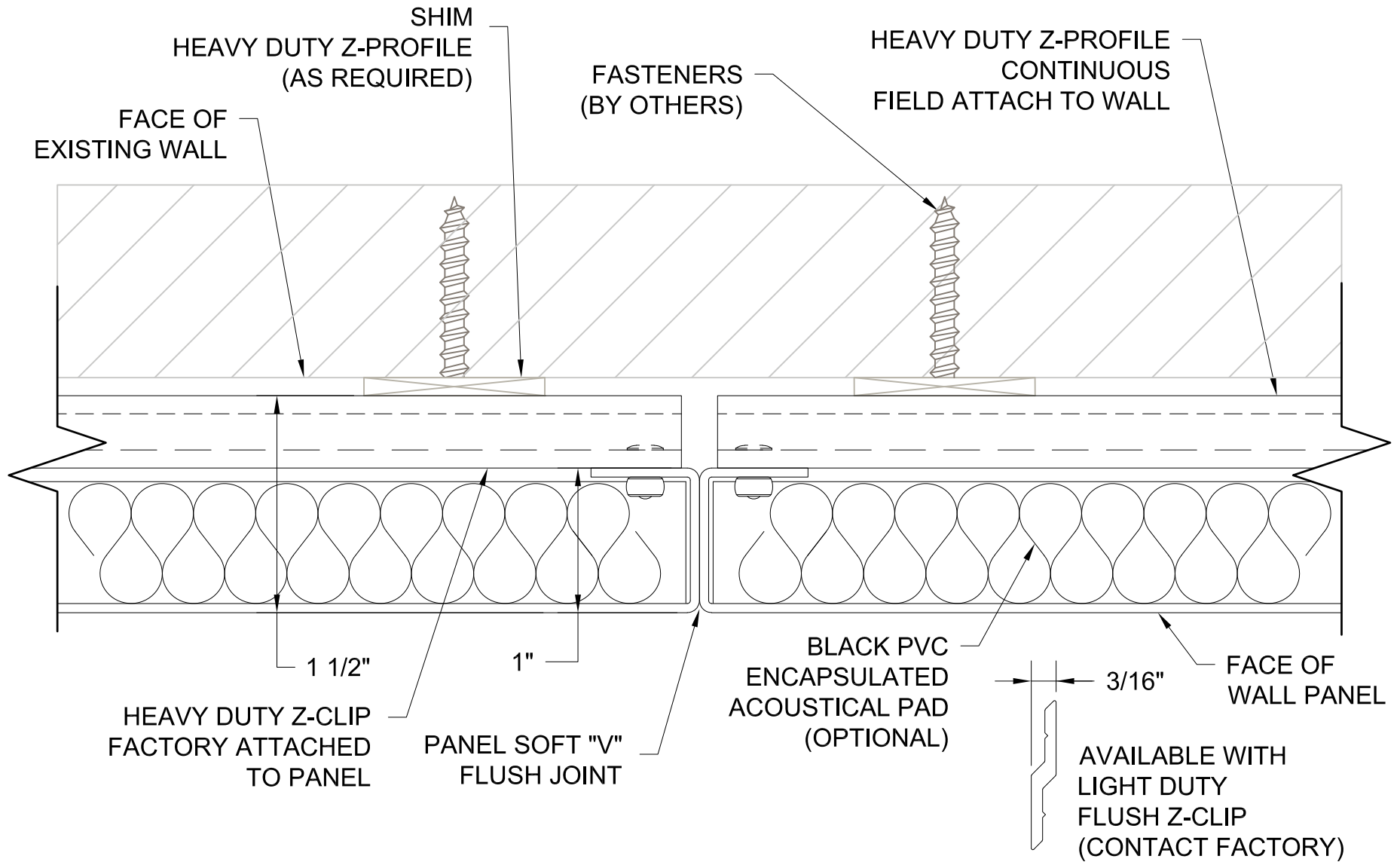


GORDON
ARCHITECTURAL+ENGINEERED SOLUTIONS

5023 Hazel Jones Rd.
Bossier City, LA 71111
800.747.8954
GORDON-INC.COM
sales@gordon-inc.com

WALLS / CLADDINGS
WP MC - SOFT "V" FLUSH JOINT
BASE - SECTION C

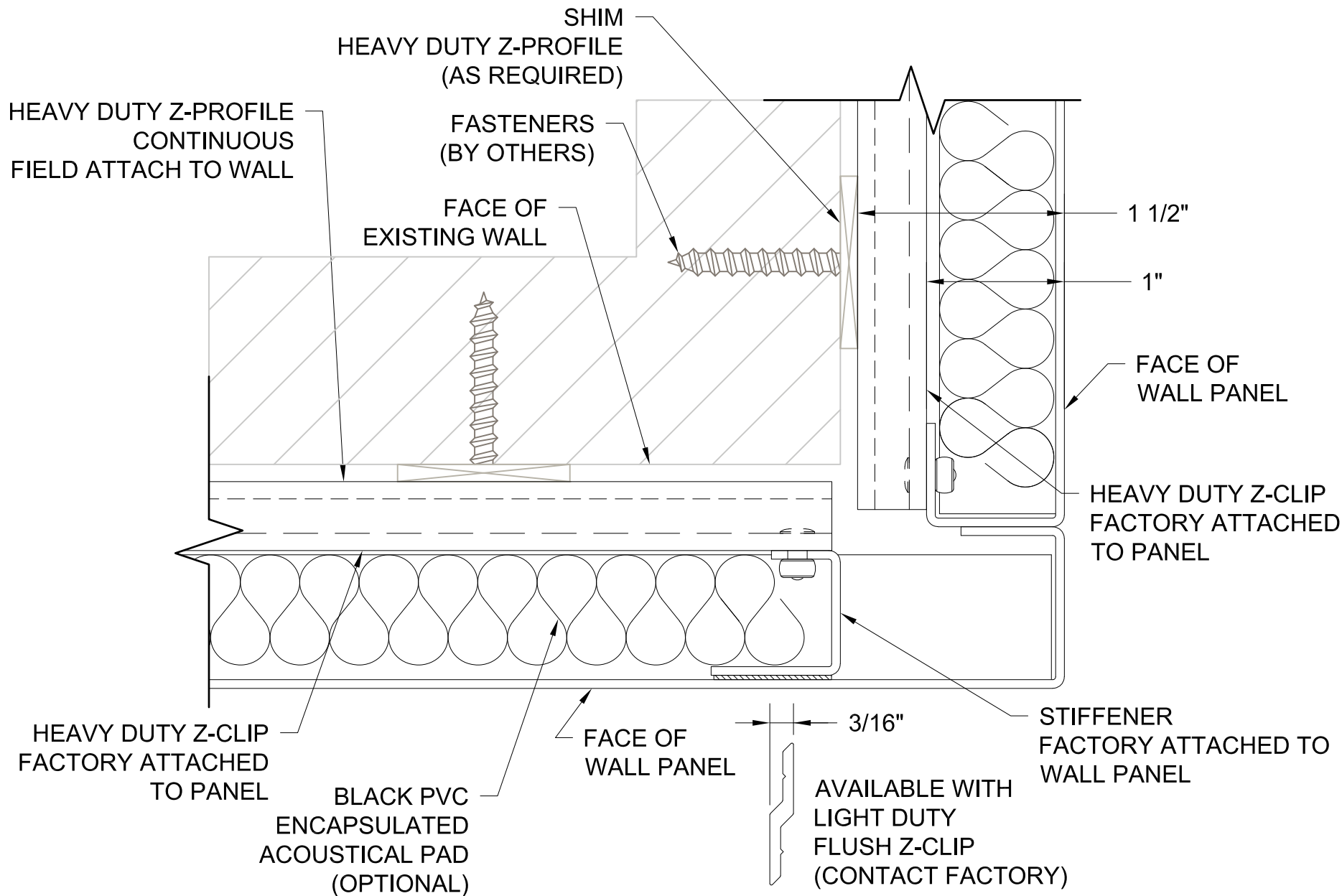




GORDON®
ARCHITECTURAL+ENGINEERED SOLUTIONS

5023 Hazel Jones Rd.
Bossier City, LA 71111
800.747.8954
GORDON-INC.COM
sales@gordon-inc.com

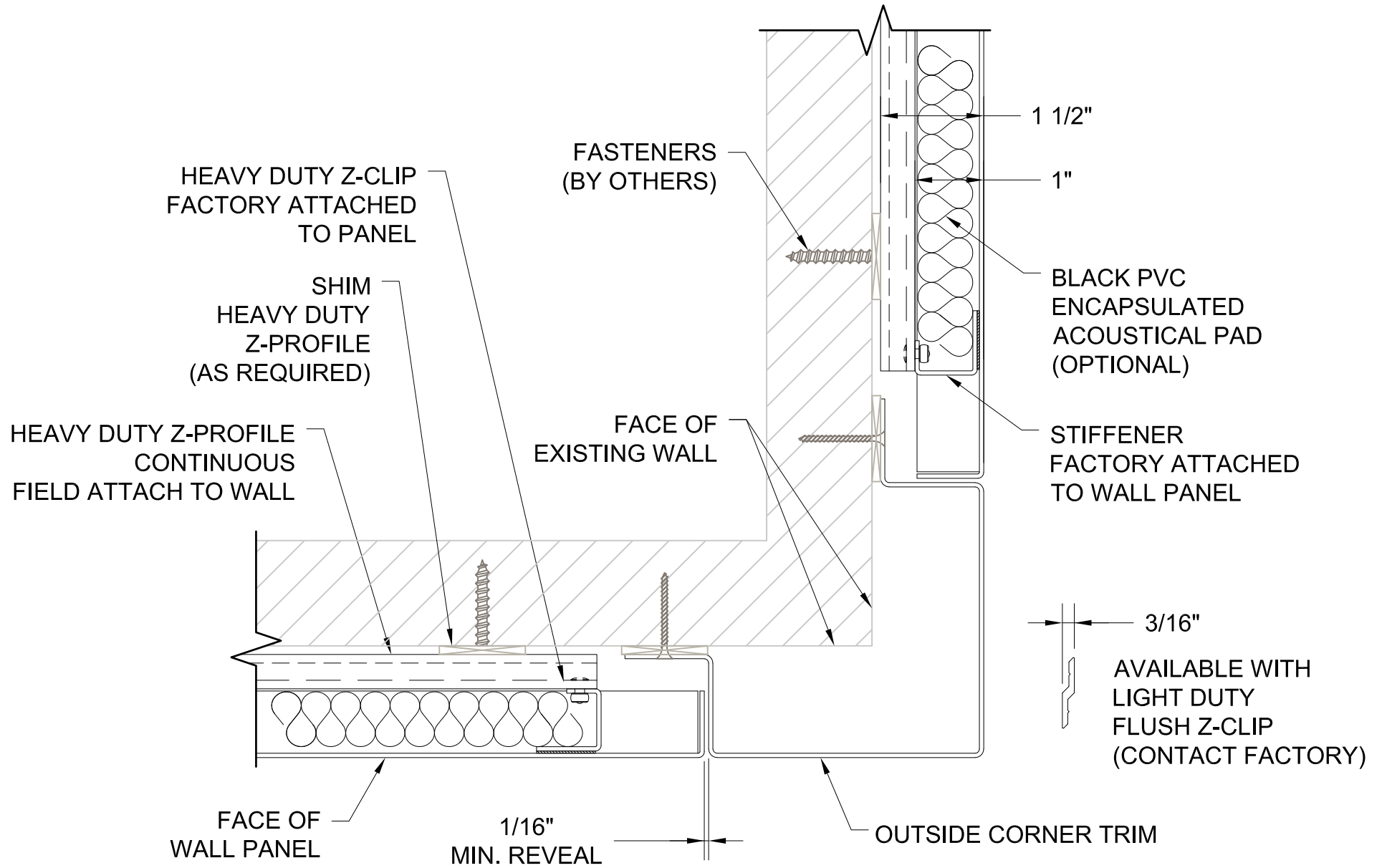
WALLS / CLADDINGS
WP MC - SOFT "V" FLUSH JOINT
VERTICAL JOINT - SECTION D



GORDON®
ARCHITECTURAL+ENGINEERED SOLUTIONS

5023 Hazel Jones Rd.
Bossier City, LA 71111
800.747.8954
GORDON-INC.COM
sales@gordon-inc.com

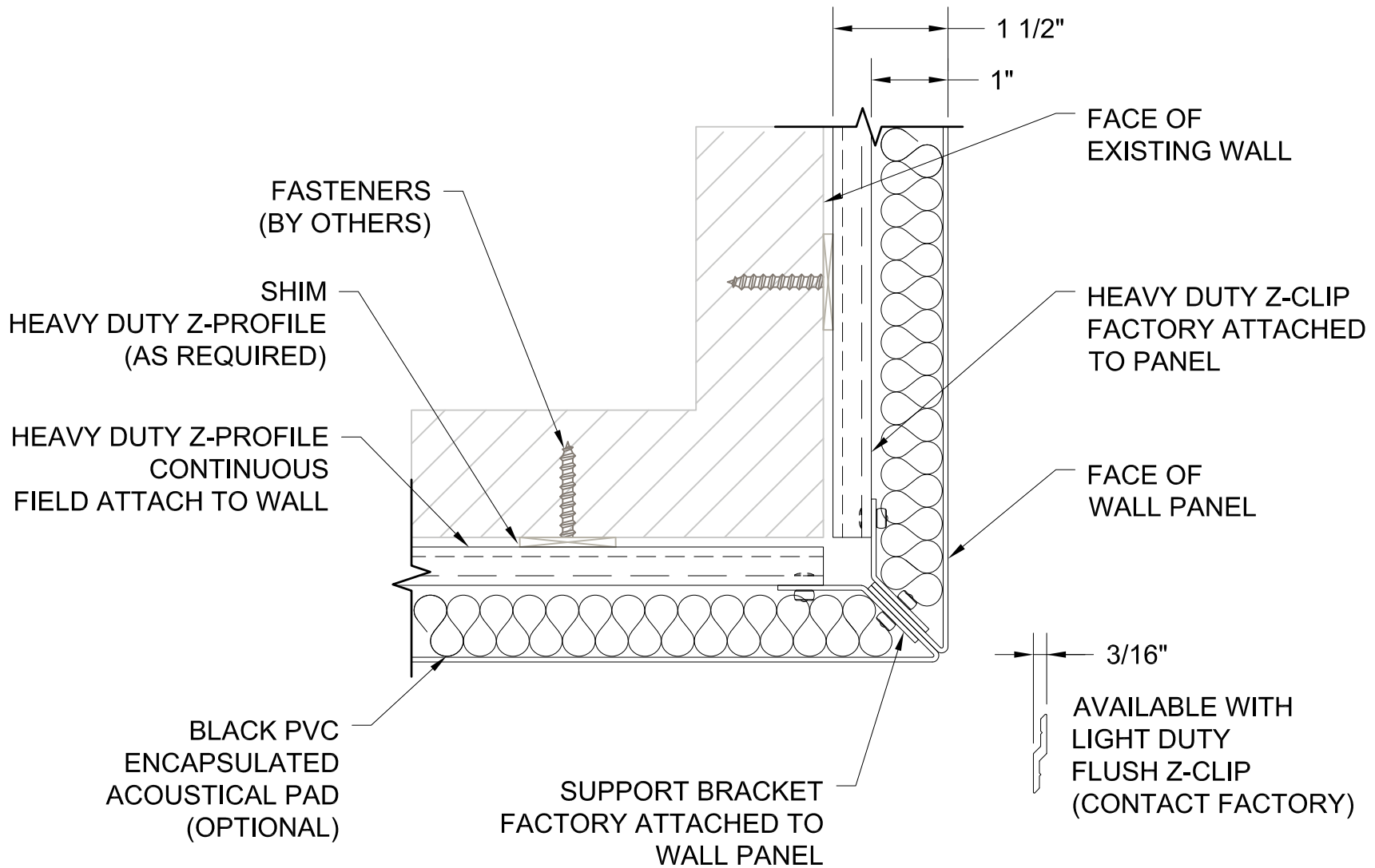
WALLS / CLADDINGS
WP MC - SOFT "V" FLUSH JOINT
OUTSIDE CORNER - SECTION E



GORDON®
ARCHITECTURAL+ENGINEERED SOLUTIONS

5023 Hazel Jones Rd.
Bossier City, LA 71111
800.747.8954
GORDON-INC.COM
sales@gordon-inc.com

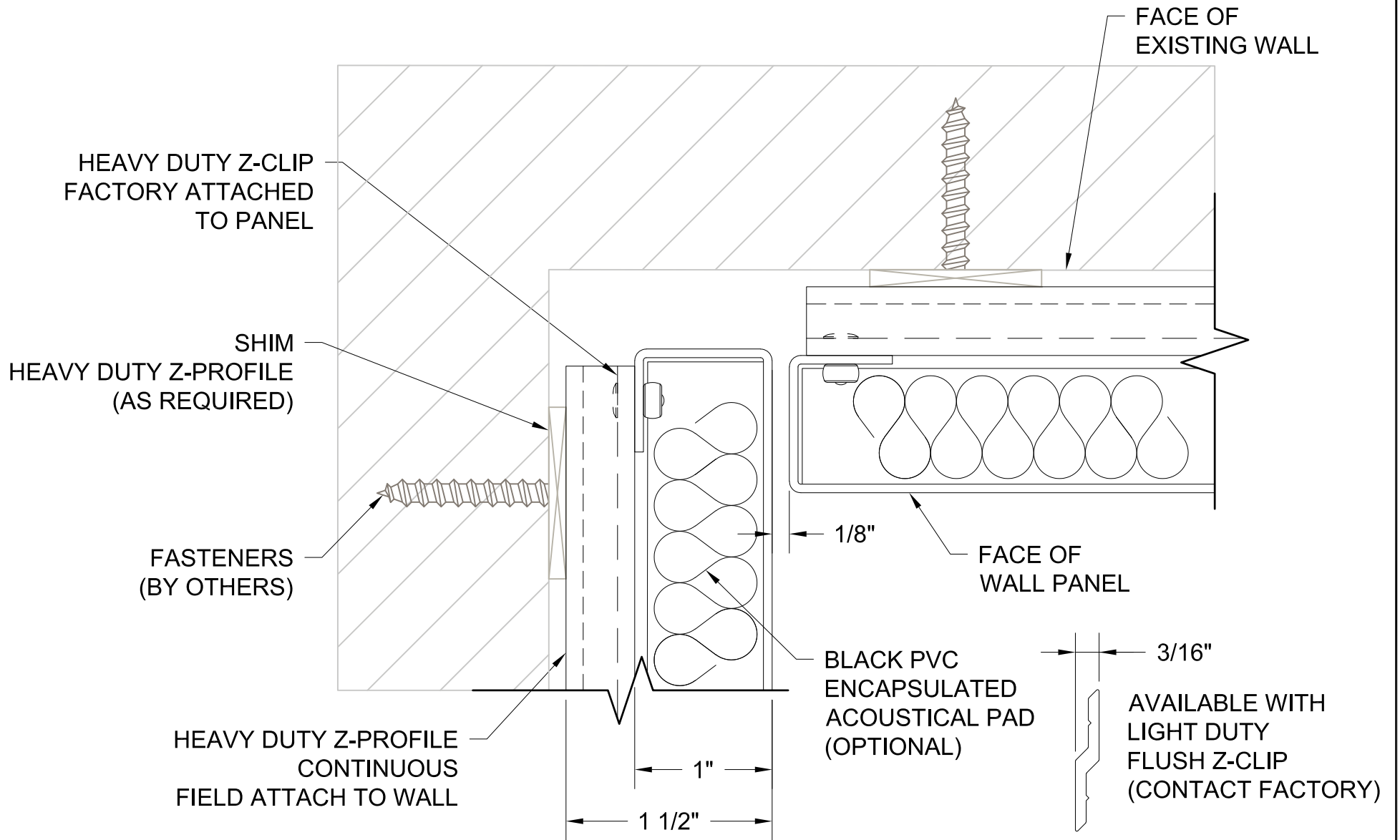
WALLS / CLADDINGS
WP MC - SOFT "V" FLUSH JOINT
OUTSIDE CORNER - SECTION E1



GORDON®
ARCHITECTURAL+ENGINEERED SOLUTIONS

5023 Hazel Jones Rd.
Bossier City, LA 71111
800.747.8954
GORDON-INC.COM
sales@gordon-inc.com

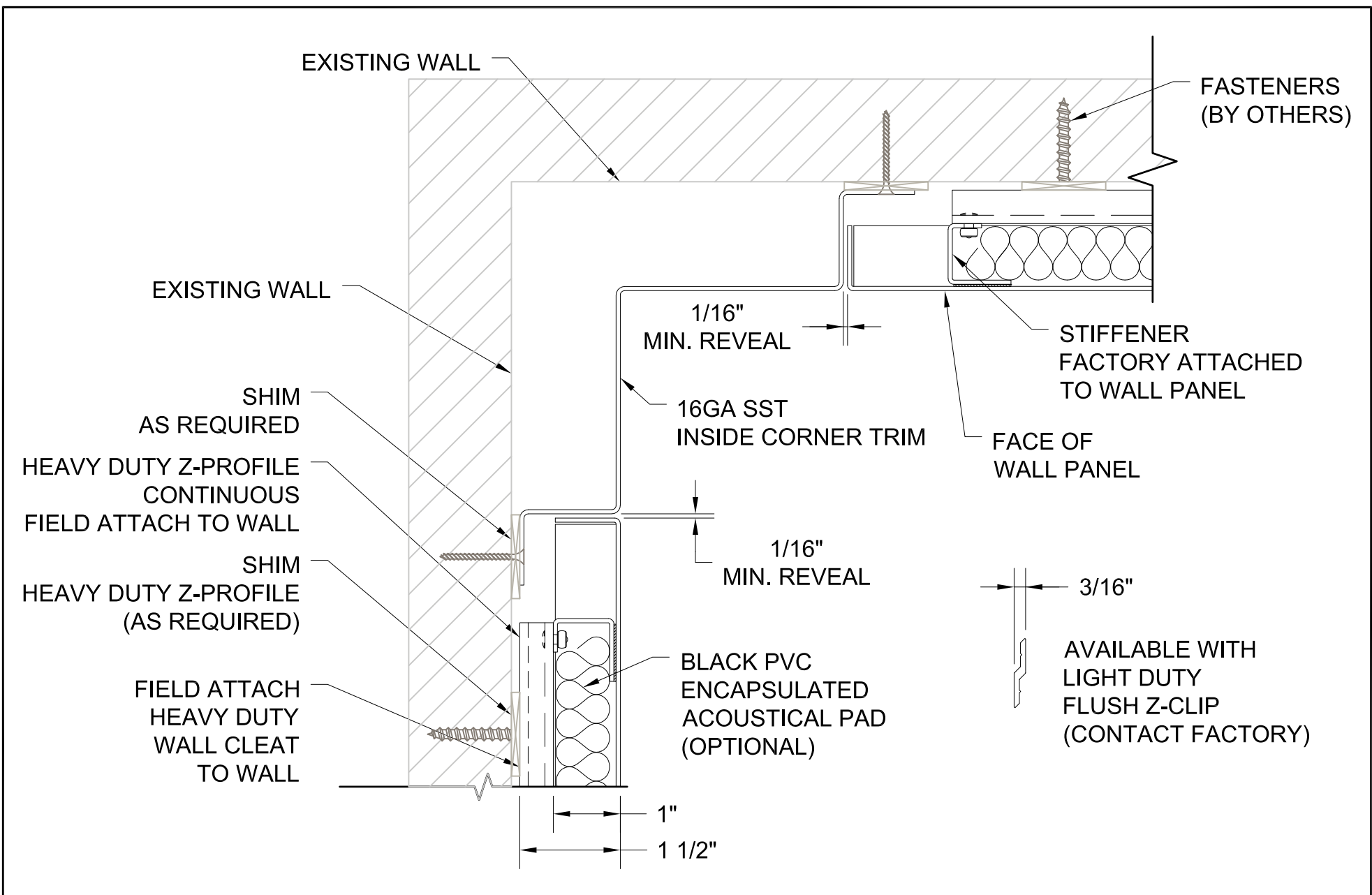
WALLS / CLADDINGS
WP MC - SOFT "V" FLUSH JOINT
OUTSIDE CORNER - SECTION E2



GORDON®
ARCHITECTURAL+ENGINEERED SOLUTIONS

5023 Hazel Jones Rd.
Bossier City, LA 71111
800.747.8954
GORDON-INC.COM
sales@gordon-inc.com

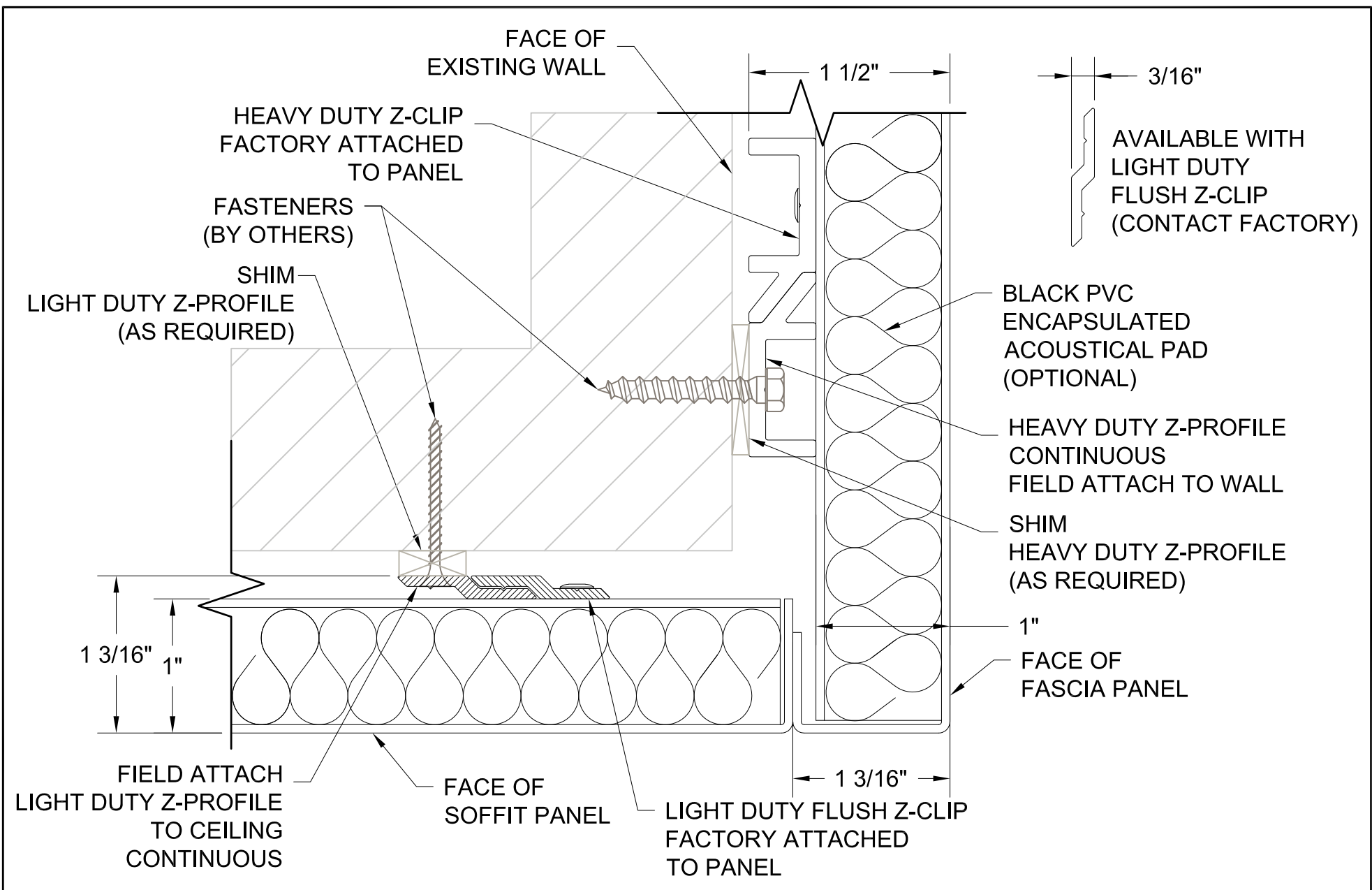
WALLS / CLADDINGS
WP MC - SOFT "V" FLUSH JOINT
INSIDE CORNER - SECTION F



GORDON®
ARCHITECTURAL+ENGINEERED SOLUTIONS

5023 Hazel Jones Rd.
Bossier City, LA 71111
800.747.8954
GORDON-INC.COM
sales@gordon-inc.com

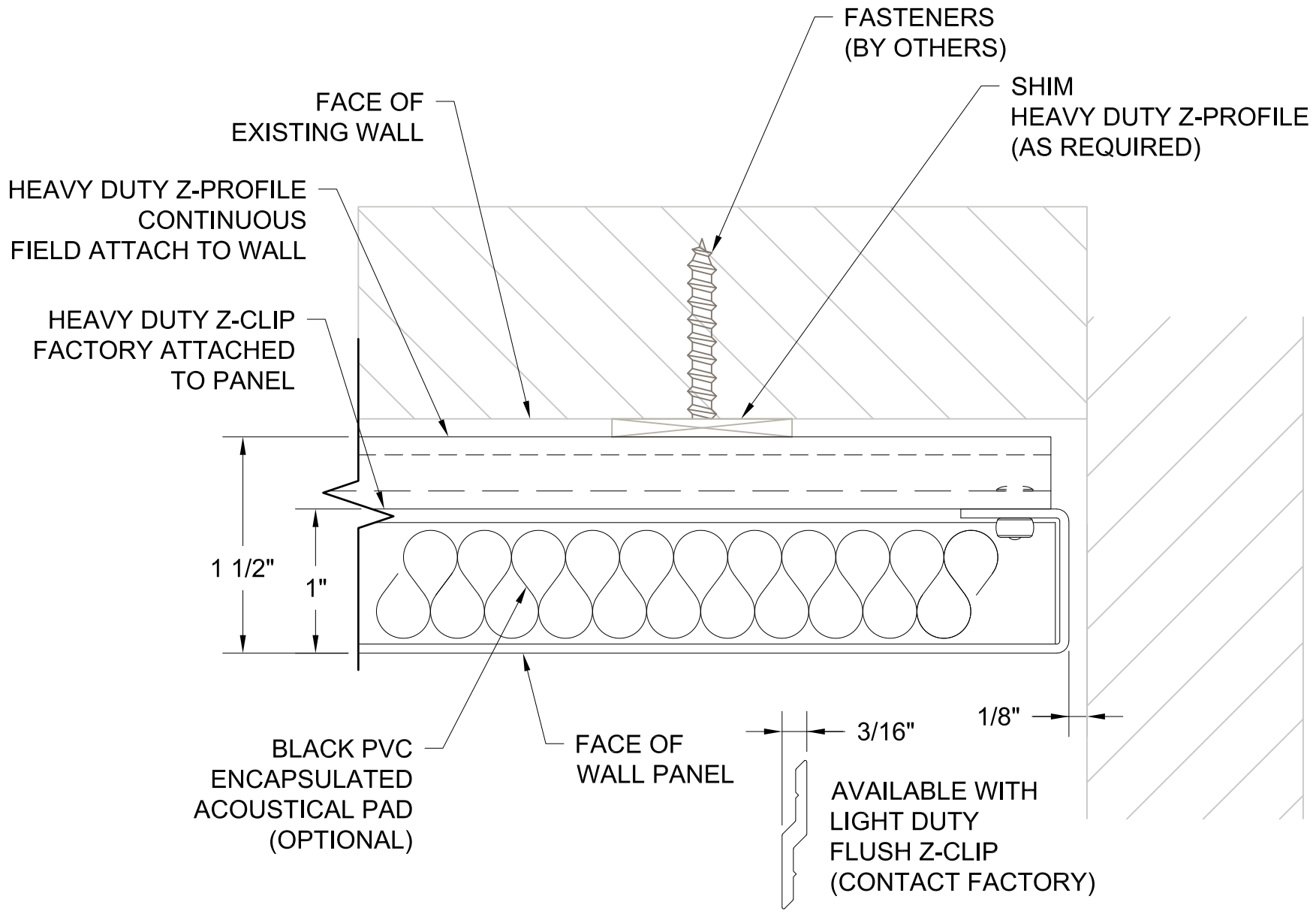
WALLS / CLADDINGS
WP MC - SOFT "V" FLUSH JOINT
INSIDE CORNER - SECTION F1



GORDON
ARCHITECTURAL+ENGINEERED SOLUTIONS

5023 Hazel Jones Rd.
Bossier City, LA 71111
800.747.8954
GORDON-INC.COM
sales@gordon-inc.com

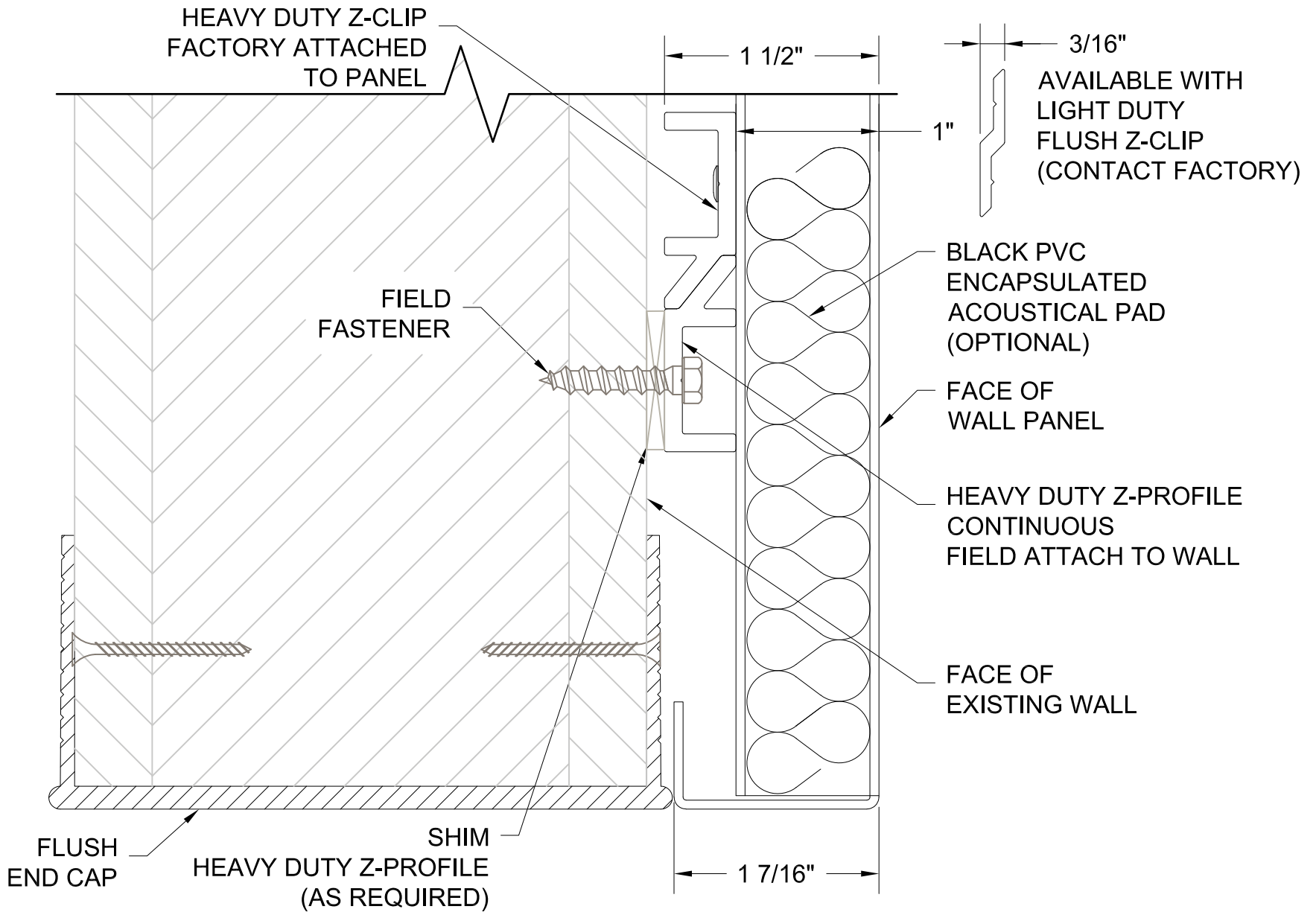
WALLS / CLADDINGS
WP MC - SOFT "V" FLUSH JOINT
SOFFIT TO FASCIA - SECTION G



GORDON
ARCHITECTURAL+ENGINEERED SOLUTIONS

5023 Hazel Jones Rd.
Bossier City, LA 71111
800.747.8954
GORDON-INC.COM
sales@gordon-inc.com

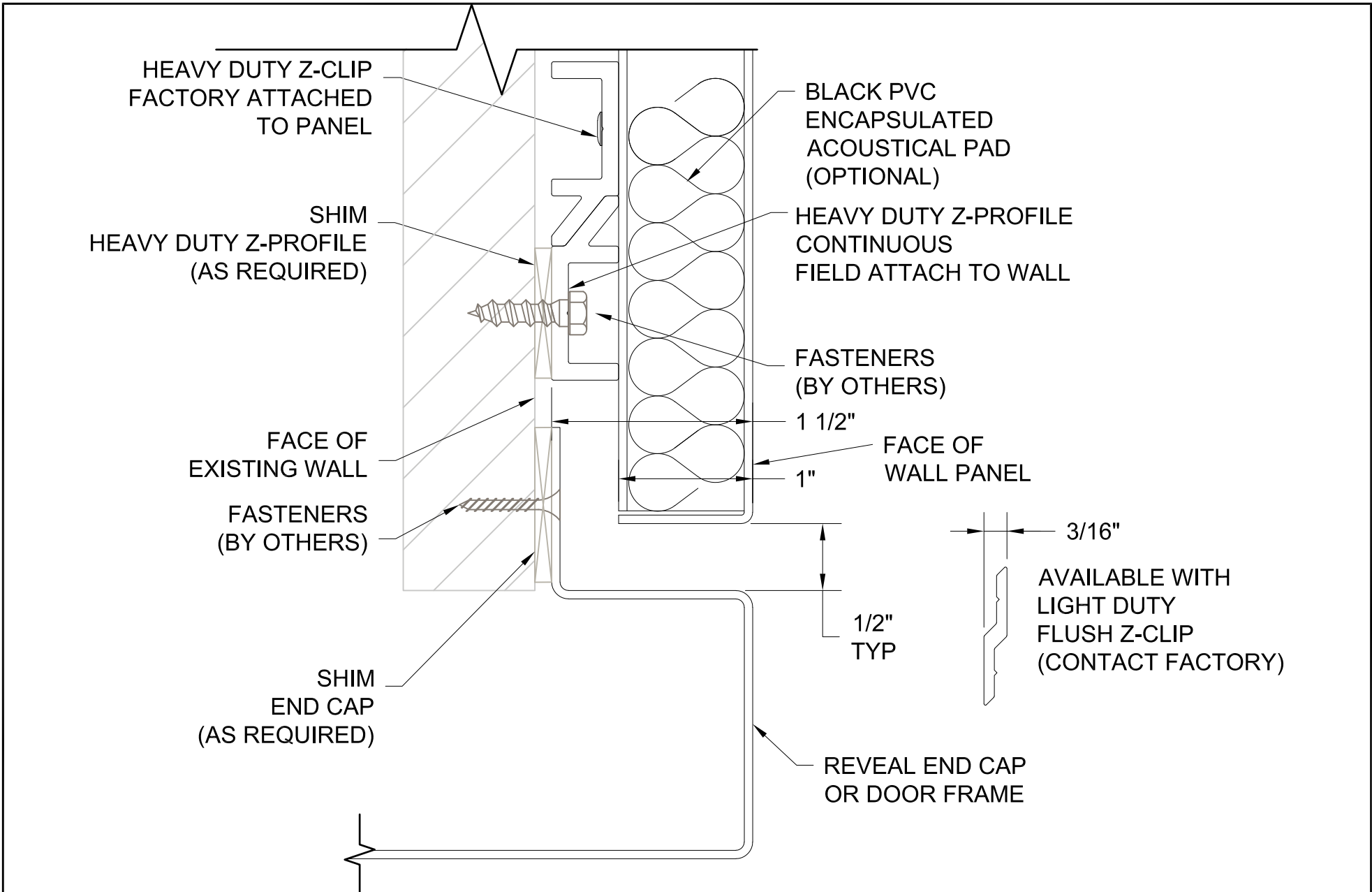
WALLS / CLADDINGS
WP MC - SOFT "V" FLUSH JOINT
END WALL - SECTION H



GORDON
ARCHITECTURAL+ENGINEERED SOLUTIONS

© 5023 Hazel Jones Rd.
Bossier City, LA 71111
800.747.8954
GORDON-INC.COM
sales@gordon-inc.com

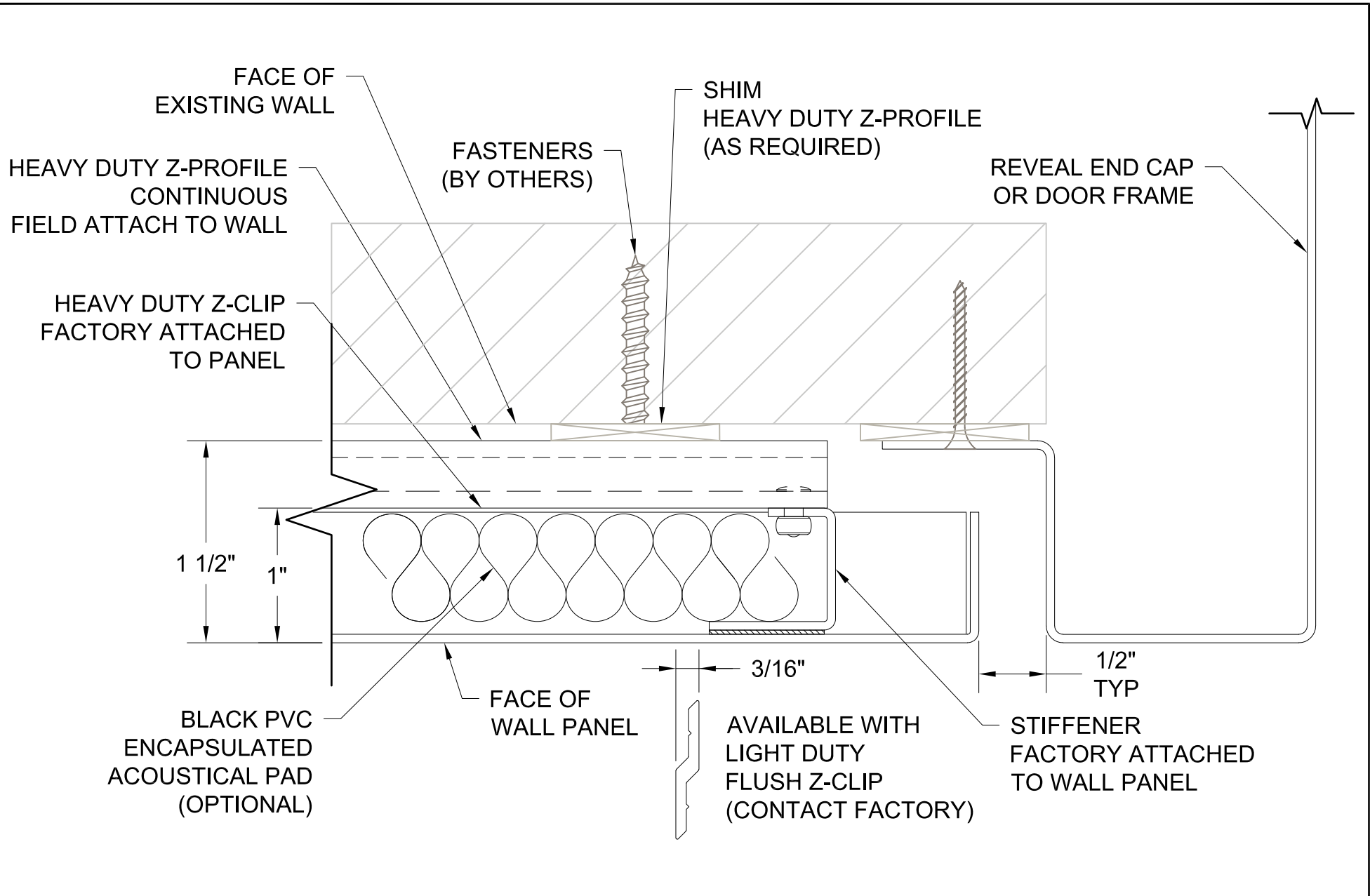
WALLS / CLADDINGS
WP MC - SOFT "V" FLUSH JOINT
ABOVE DOOR - SECTION J



GORDON
ARCHITECTURAL+ENGINEERED SOLUTIONS

5023 Hazel Jones Rd.
Bossier City, LA 71111
800.747.8954
GORDON-INC.COM
sales@gordon-inc.com

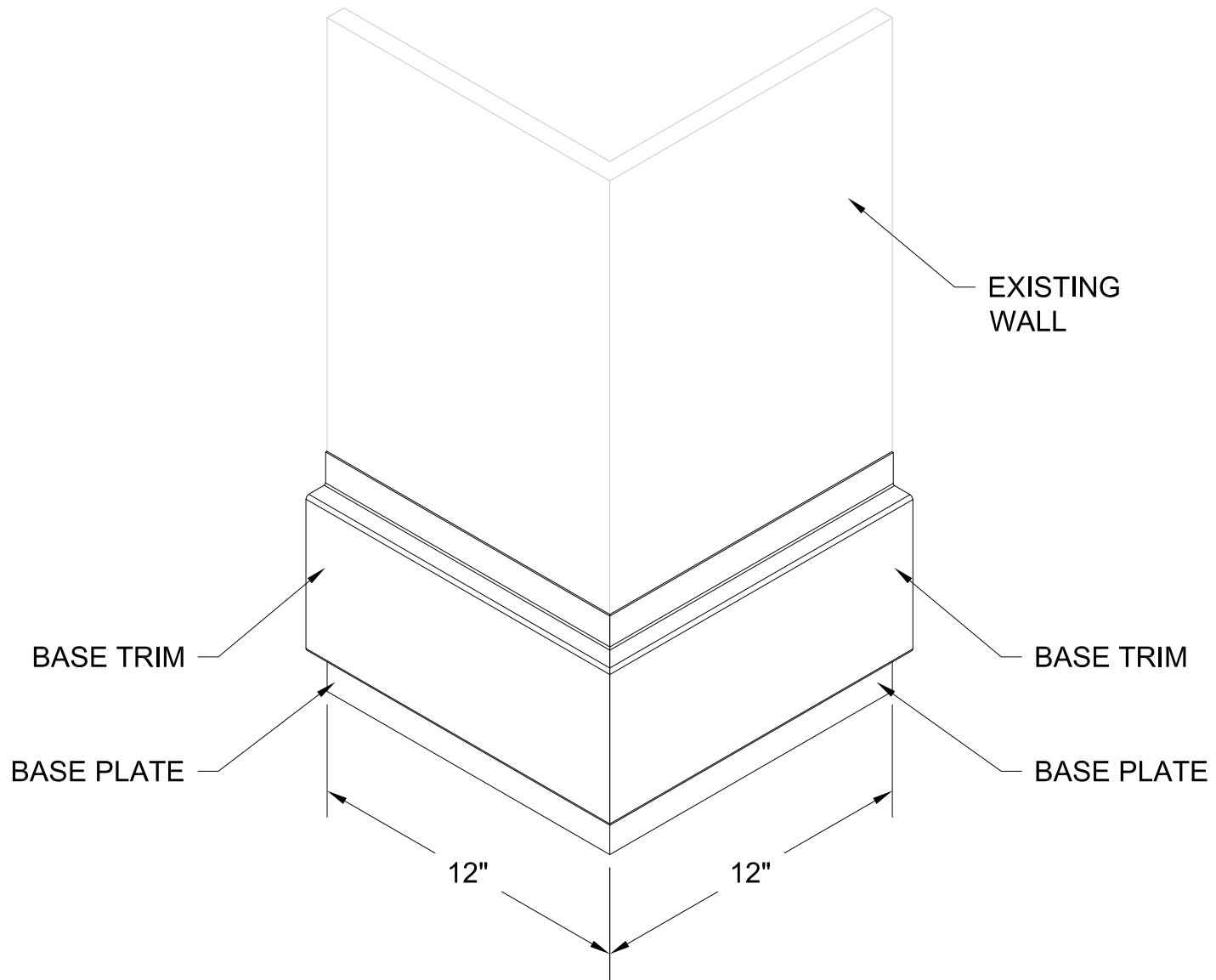
WALLS / CLADDINGS
WP MC - SOFT "V" FLUSH JOINT
ABOVE DOOR - SECTION J1



GORDON®
ARCHITECTURAL+ENGINEERED SOLUTIONS

5023 Hazel Jones Rd.
Bossier City, LA 71111
800.747.8954
GORDON-INC.COM
sales@gordon-inc.com

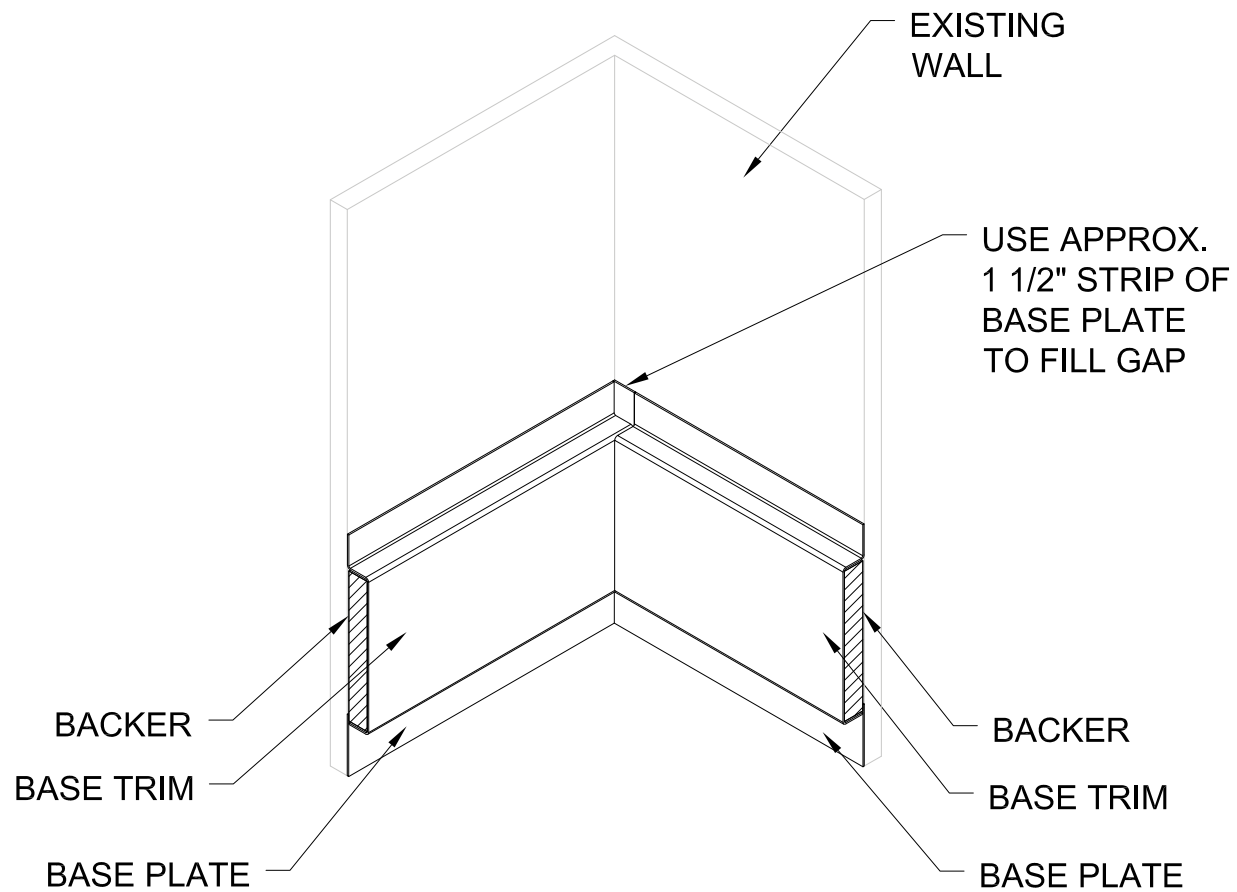
WALLS / CLADDINGS
WP MC - SOFT "V" FLUSH JOINT
END WALL - SECTION K



GORDON®
ARCHITECTURAL+ENGINEERED SOLUTIONS

5023 Hazel Jones Rd.
Bossier City, LA 71111
800.747.8954
GORDON-INC.COM
sales@gordon-inc.com

WALLS / CLADDINGS
WP MC - SOFT "V" FLUSH JOINT
BASE OUTSIDE CORNER - DETAIL M



GORDON[®]
ARCHITECTURAL+ENGINEERED SOLUTIONS

5023 Hazel Jones Rd.
Bossier City, LA 71111
800.747.8954
GORDON-INC.COM
sales@gordon-inc.com

WALLS / CLADDINGS
WP MC - SOFT "V" FLUSH JOINT
BASE INSIDE CORNER - DETAIL N