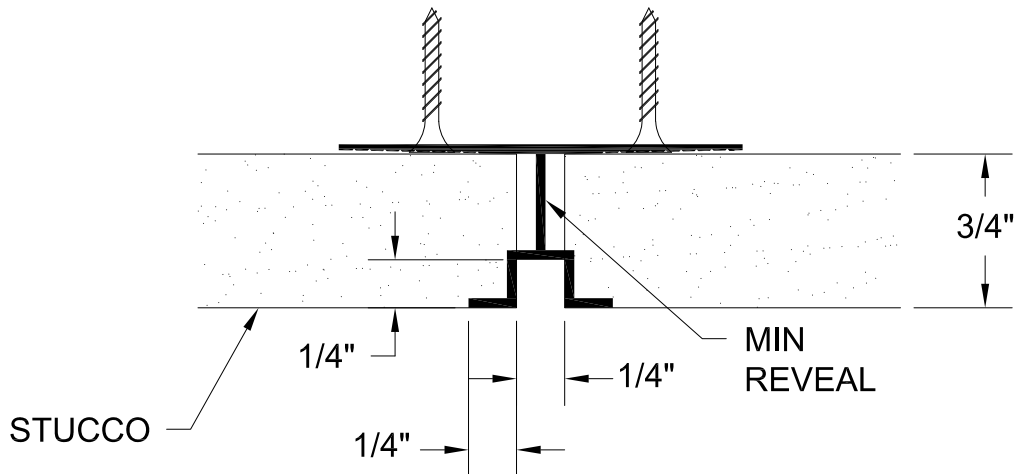


PART #
SMR 25-25-75



**GORDON**®  
ARCHITECTURAL+ENGINEERED SOLUTIONS

5023 Hazel Jones Rd.  
Bossier City, LA 71111  
800.747.8954  
GORDON-INC.COM  
sales@gordon-inc.com

TRUFORM PROFILES  
STUCCO REVEALS  
MIN REVEAL