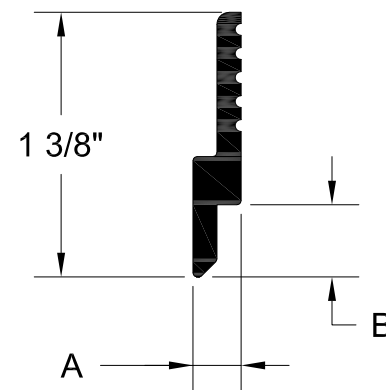
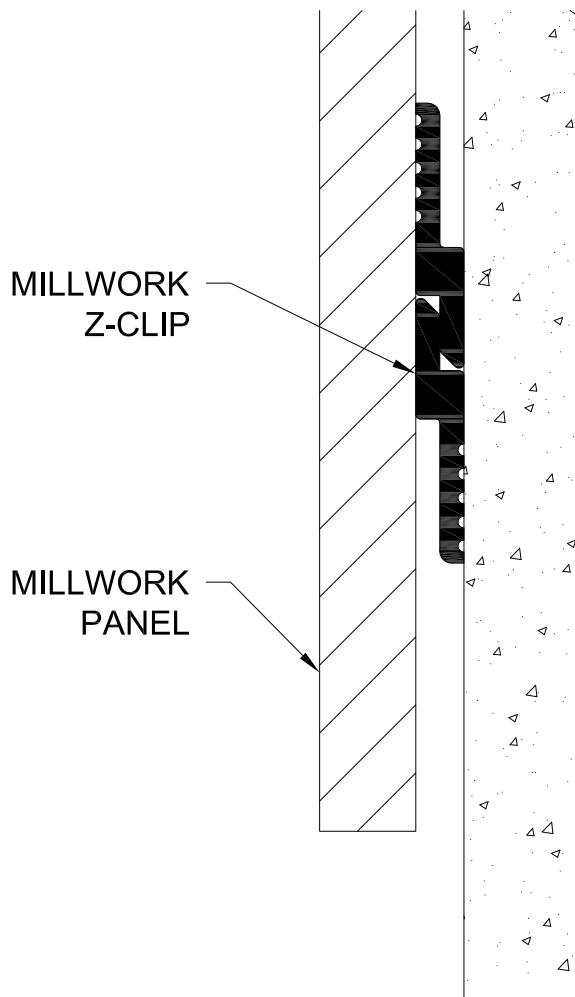


PART #	A DEPTH	B LIFT-OFF
* MZ 25-375	1/4"	3/8"

* USED TO FLUSH 1/2" OR 3/4" PANELS WITH TOP OF MILLWORK PROFILES



GORDON®
ARCHITECTURAL+ENGINEERED SOLUTIONS

5023 Hazel Jones Rd.
Bossier City, LA 71111
800.747.8954
GORDON-INC.COM
sales@gordon-inc.com

TRUFORM PROFILES
MILLWORK TRIMS
Z-CLIP