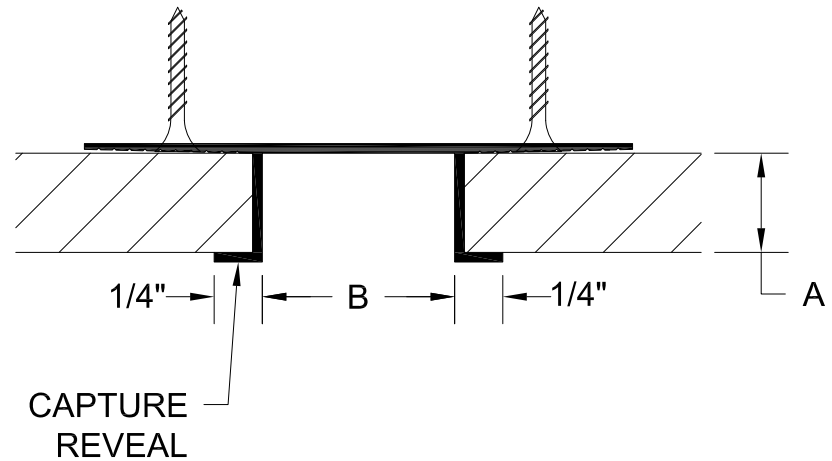


PART #	A DEPTH	B WIDTH
MCR 50-50	1/2"	1/2"
MCR 50-100	1/2"	1"
MCR 625-50	5/8"	1/2"
MCR 625-75	5/8"	3/4"
MCR 625-100	5/8"	1"
MCR 625-200	5/8"	2"
MCR 75-75	3/4"	3/4"
MCR 75-100	3/4"	1"
MCR 75-150	3/4"	1-1/2"
MCR 75-200	3/4"	2"
MCR 75-300	3/4"	3"
MCR 75-600	3/4"	6"
MCR 100-100	1"	1"
MCR 100-300	1"	3"



CAPTURE  
REVEAL

**GORDON**  
ARCHITECTURAL+ENGINEERED SOLUTIONS

© 5023 Hazel Jones Rd.  
Bossier City, LA 71111  
800.747.8954  
GORDON-INC.COM  
sales@gordon-inc.com

TRUFORM PROFILES  
MILLWORK REVEALS  
CAPTURE REVEAL