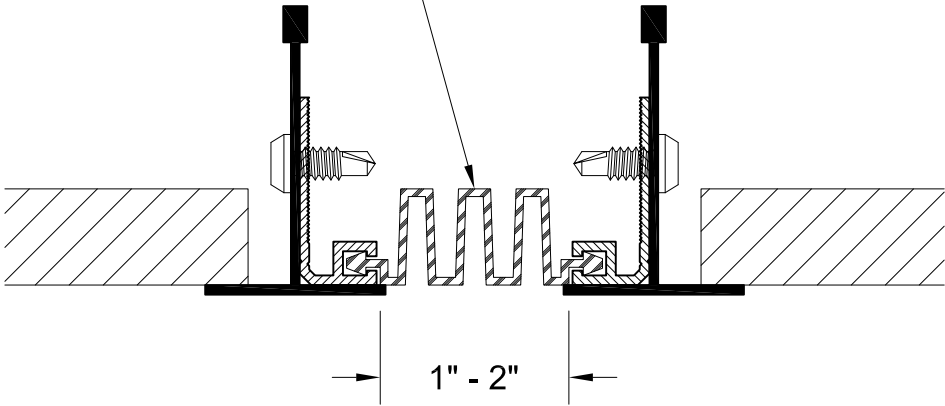


PART #
GX200

ACOUSTICAL  
EXPANSION JOINT



**GORDON**®  
ARCHITECTURAL+ENGINEERED SOLUTIONS

5023 Hazel Jones Rd.  
Bossier City, LA 71111  
800.747.8954  
GORDON-INC.COM  
sales@gordon-inc.com

TRUFORM PROFILES  
EXPANSION JOINT  
ACOUSTICAL CEILING JOINT