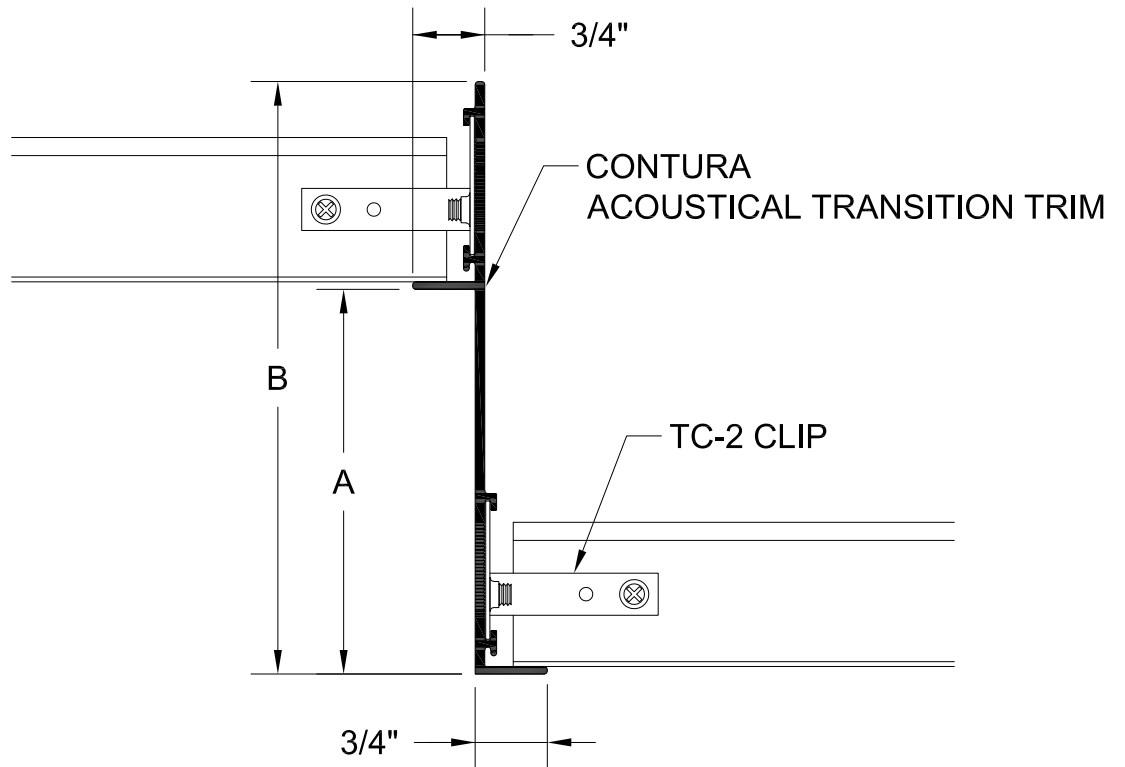


PART #	A HEIGHT	B HEIGHT
CA20TRN	2"	4-3/16"
CA40TRN	4"	6-3/16"
CA60TRN	6"	8-3/16"



GORDON
ARCHITECTURAL+ENGINEERED SOLUTIONS

5023 Hazel Jones Rd.
Bossier City, LA 71111
800.747.8954
GORDON-INC.COM
sales@gordon-inc.com

TRUFORM PROFILES
CEILING TRIM PROFILES - ACOUSTICAL
CONTURA ACOUSTICAL TRANSITION TRIM