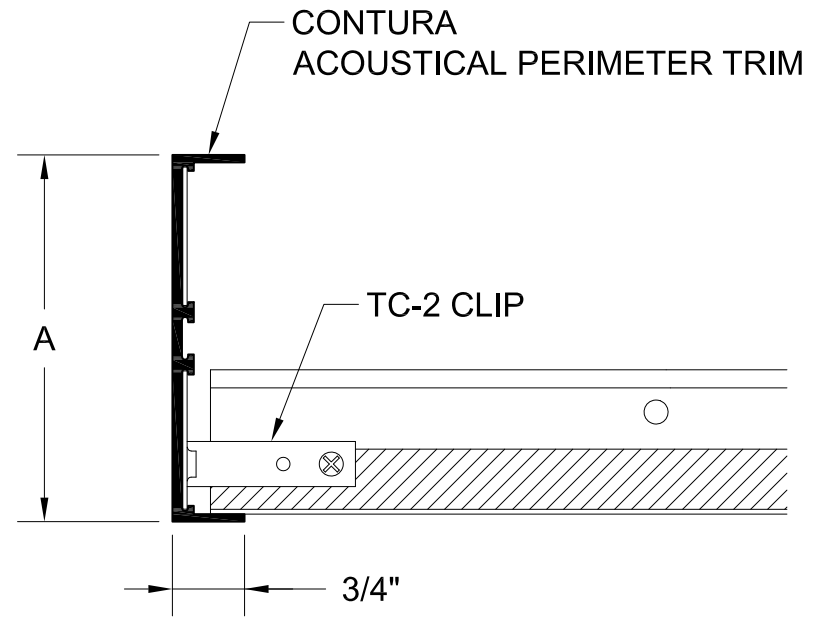


PART #	A HEIGHT
CA20 *	2-3/16"
CA30 *	3"
CA40	3-13/16"
CA60	5-13/16"
CA80	7-13/16"

* ONLY 1 SPLICE BOSS
(UNLIKE PROFILE DISPLAYED)



GORDON®
ARCHITECTURAL+ENGINEERED SOLUTIONS

5023 Hazel Jones Rd.
Bossier City, LA 71111
800.747.8954
GORDON-INC.COM
sales@gordon-inc.com

TRUFORM PROFILES
CEILING TRIM PROFILES - ACOUSTICAL
CONTURA ACOUSTICAL PERIMETER TRIM