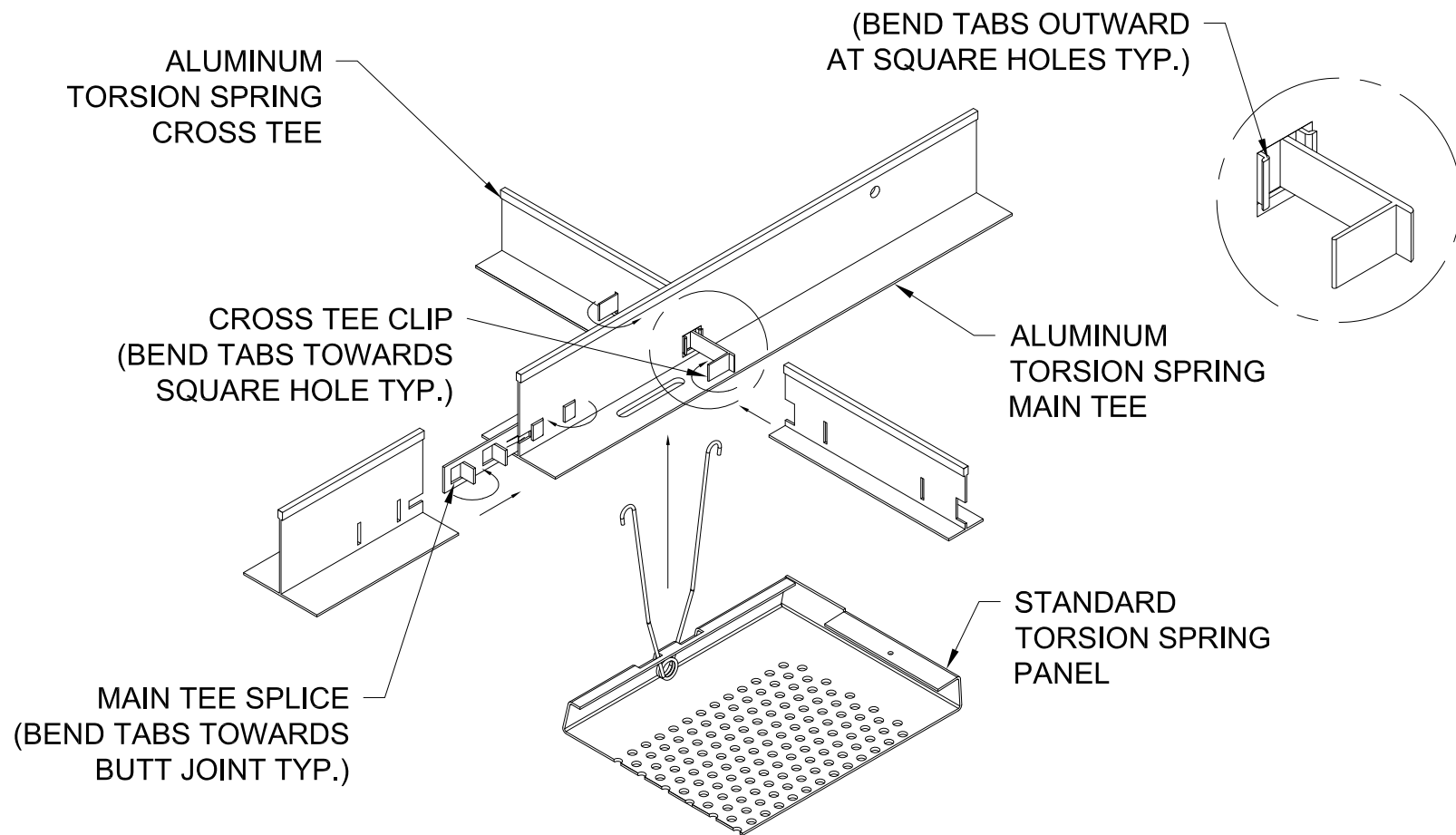


GORDON[®]
ARCHITECTURAL+ENGINEERED SOLUTIONS

5023 Hazel Jones Rd.
Bossier City, LA 71111
800.747.8954
GORDON-INC.COM
sales@gordon-inc.com

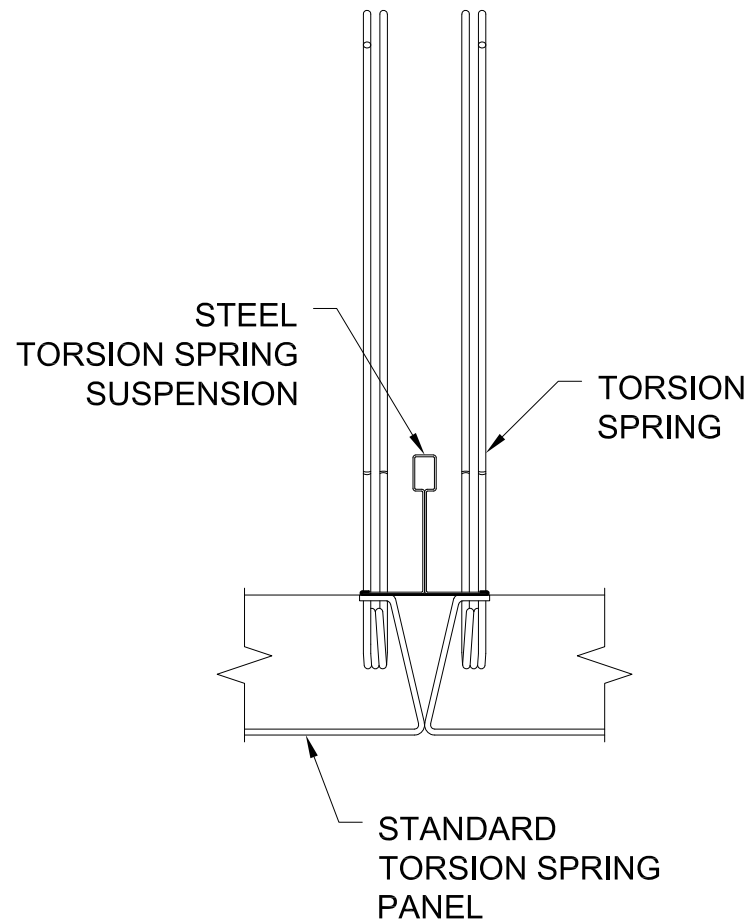
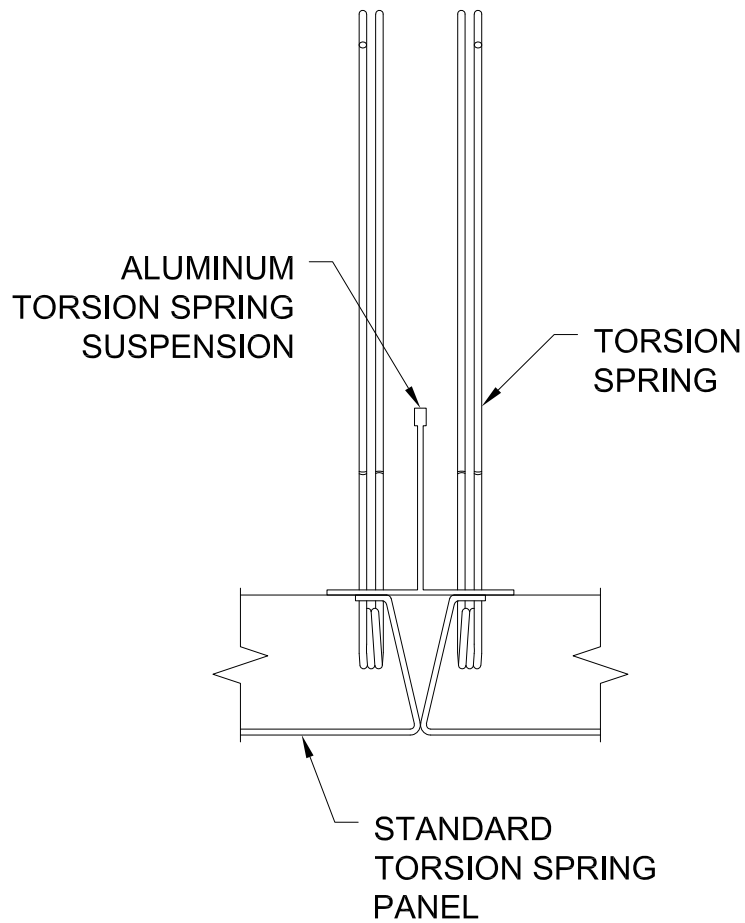
CEILINGS PLANKS & TILES - TORSION SPRING STANDARD CEILING (STEEL SUSPENSION)

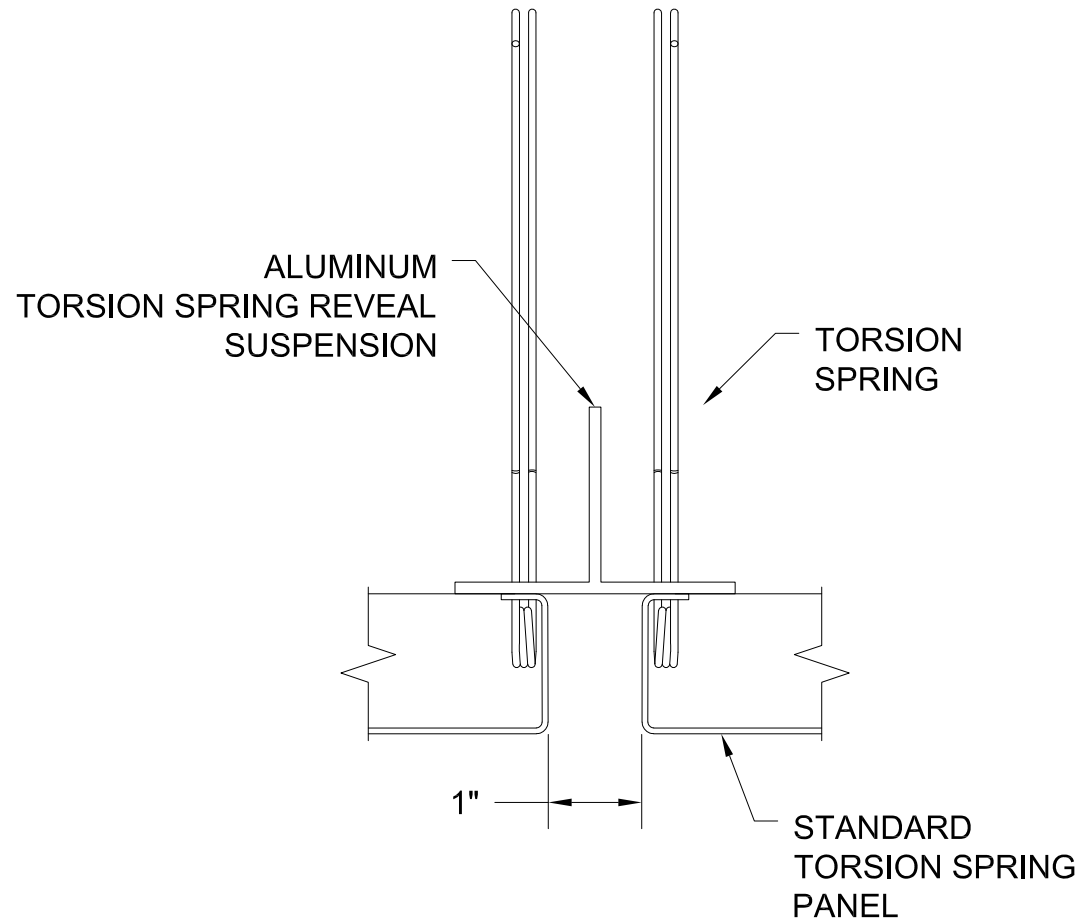


GORDON[®]
ARCHITECTURAL+ENGINEERED SOLUTIONS

5023 Hazel Jones Rd.
Bossier City, LA 71111
800.747.8954
GORDON-INC.COM
sales@gordon-inc.com

CEILING
PLANKS & TILES - TORSION SPRING
STANDARD CEILING (ALUMINUM SUSPENSION)

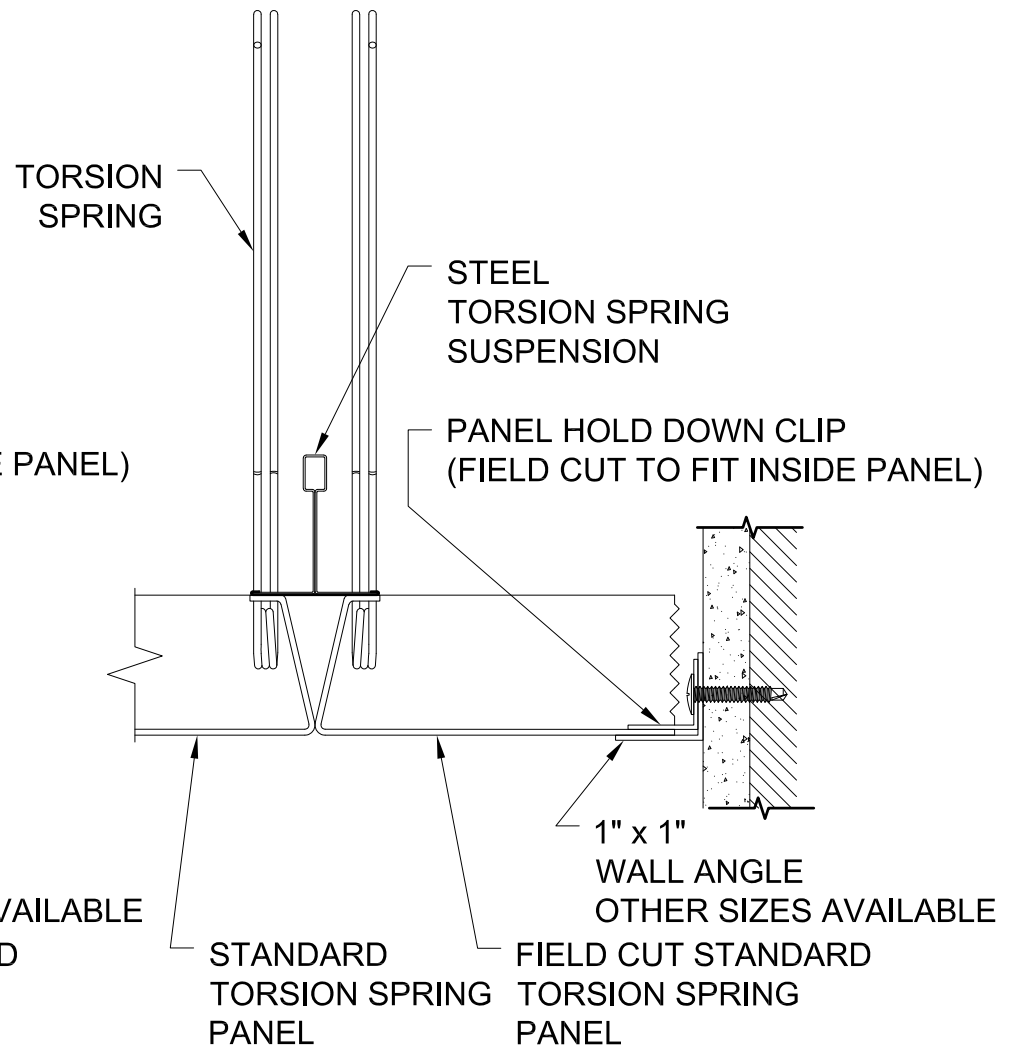
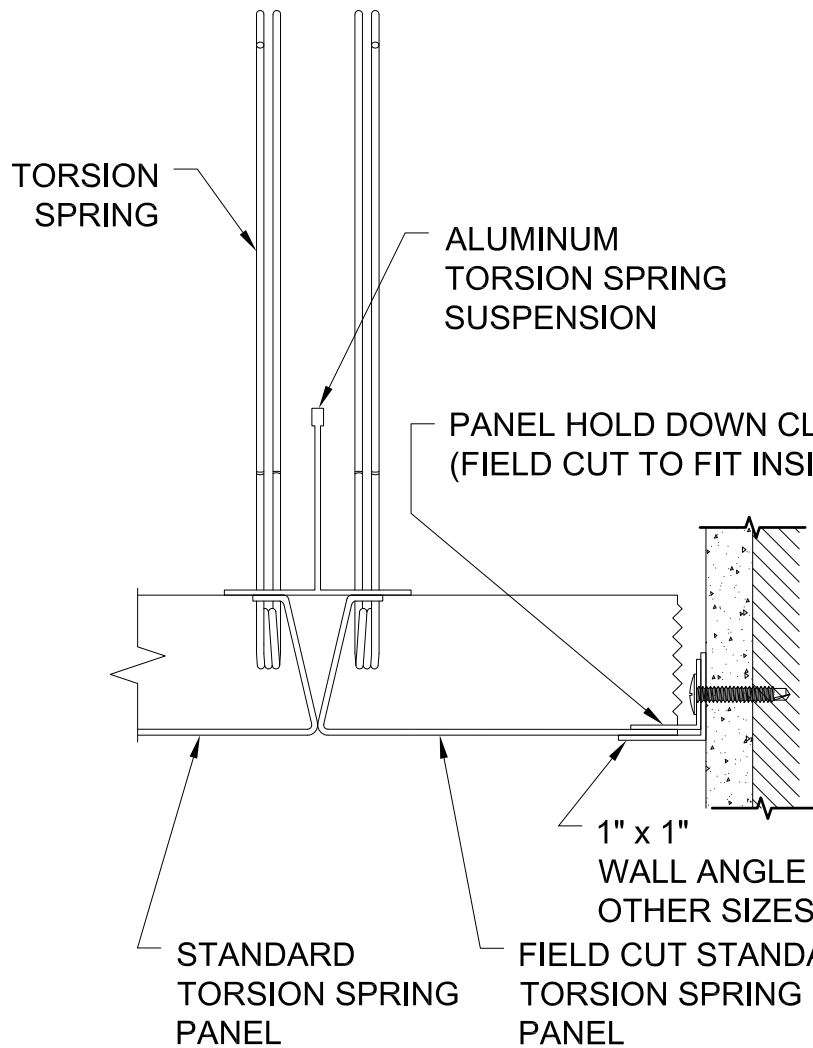


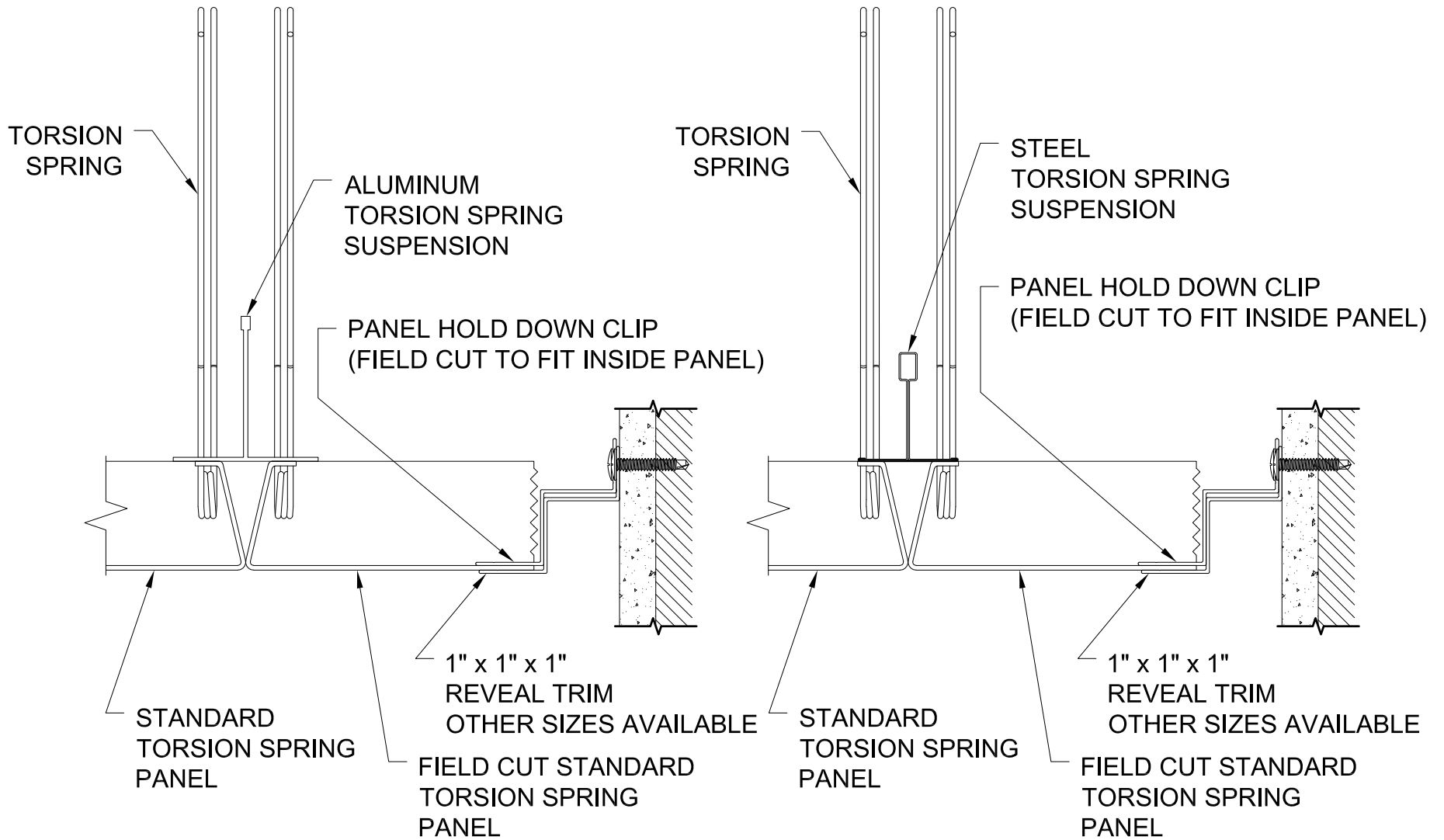


GORDON[®]
 ARCHITECTURAL+ENGINEERED SOLUTIONS

5023 Hazel Jones Rd.
 Bossier City, LA 71111
 800.747.8954
 GORDON-INC.COM
 sales@gordon-inc.com

CEILING
PLANKS & TILES - TORSION SPRING
STANDARD CEILING REVEAL JOINT





GORDON[®]
ARCHITECTURAL+ENGINEERED SOLUTIONS

5023 Hazel Jones Rd.
Bossier City, LA 71111
800.747.8954
GORDON-INC.COM
sales@gordon-inc.com

**CEILING
PLANKS & TILES - TORSION SPRING
STANDARD CEILING REVEAL PERIMETER**

