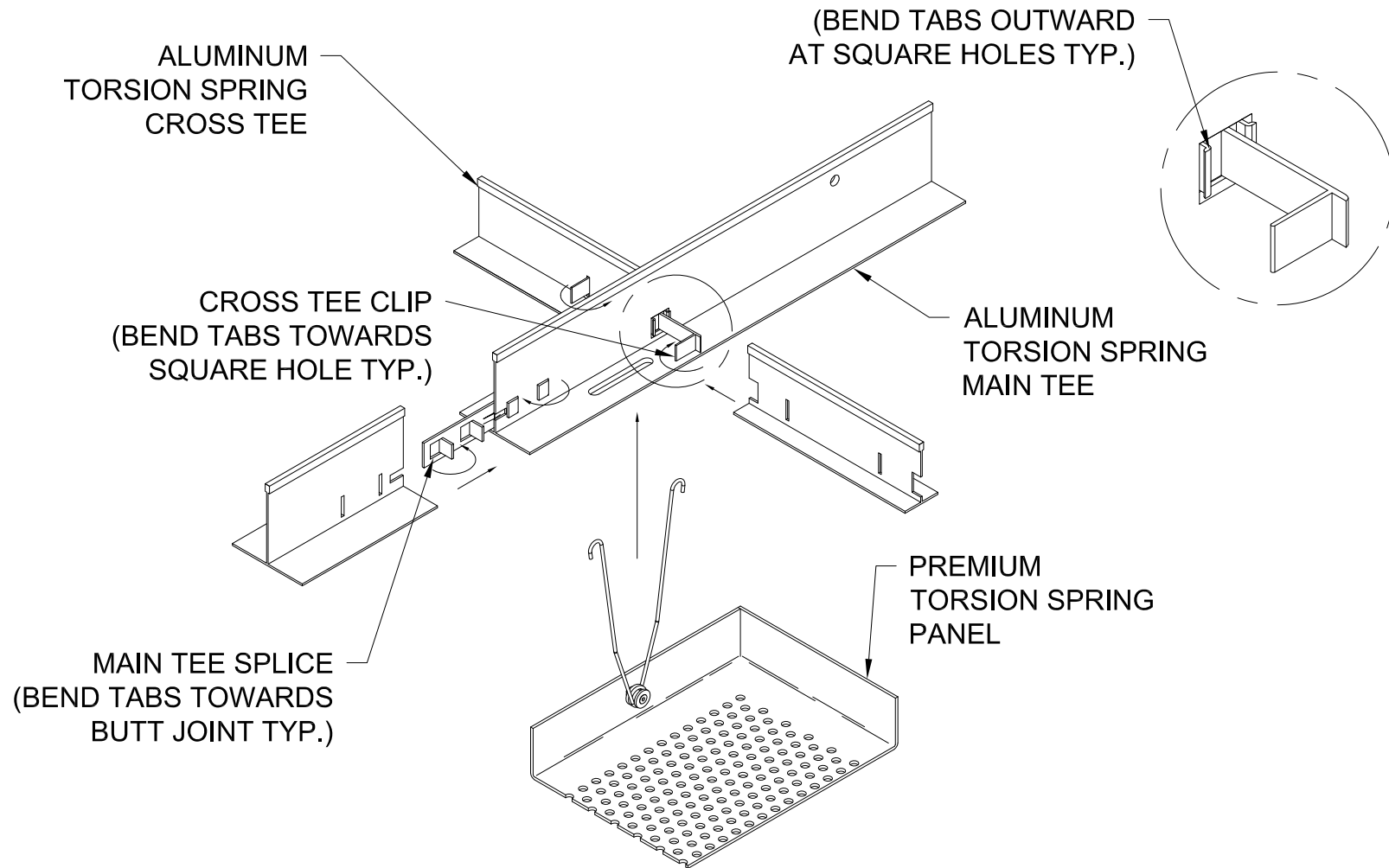


GORDON[®]
ARCHITECTURAL+ENGINEERED SOLUTIONS

5023 Hazel Jones Rd.
Bossier City, LA 71111
800.747.8954
GORDON-INC.COM
sales@gordon-inc.com

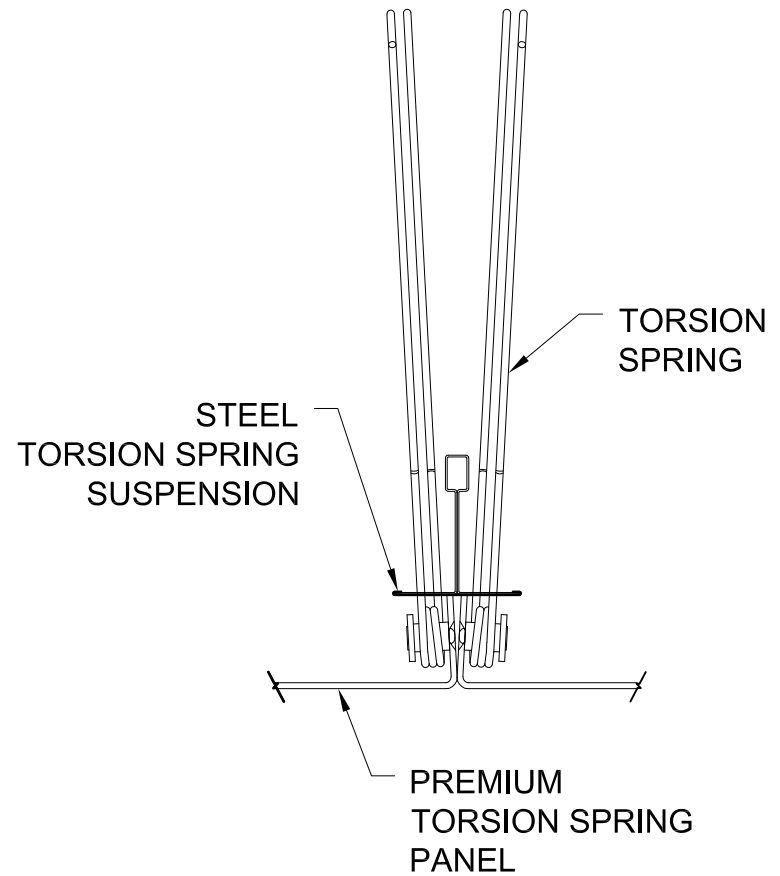
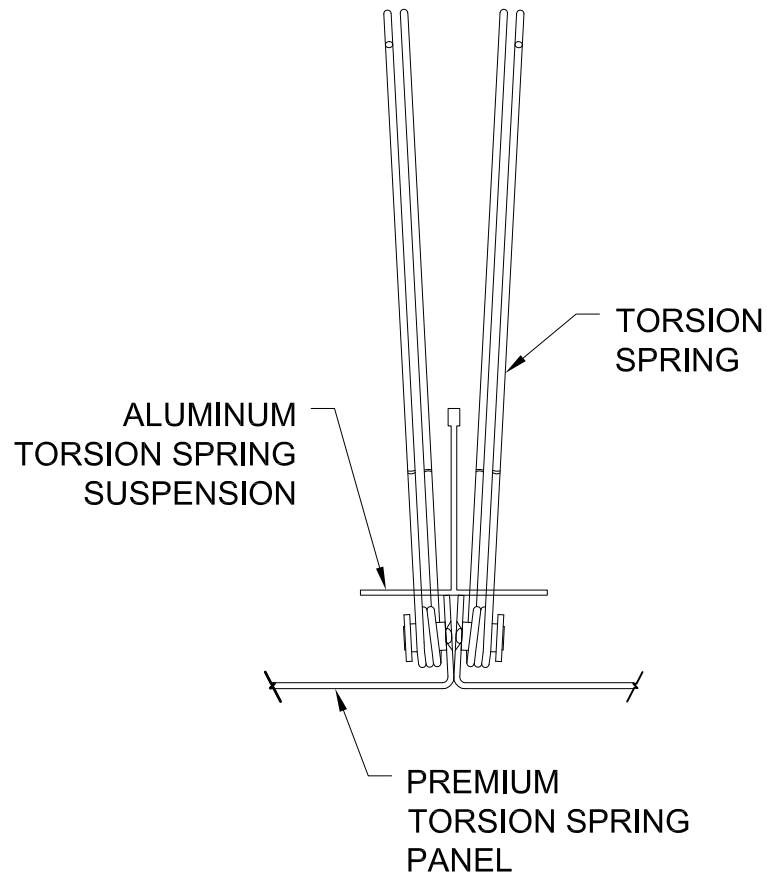
CEILINGS
PLANKS & TILES - TORSION SPRING
PREMIUM CEILING (STEEL SUSPENSION)

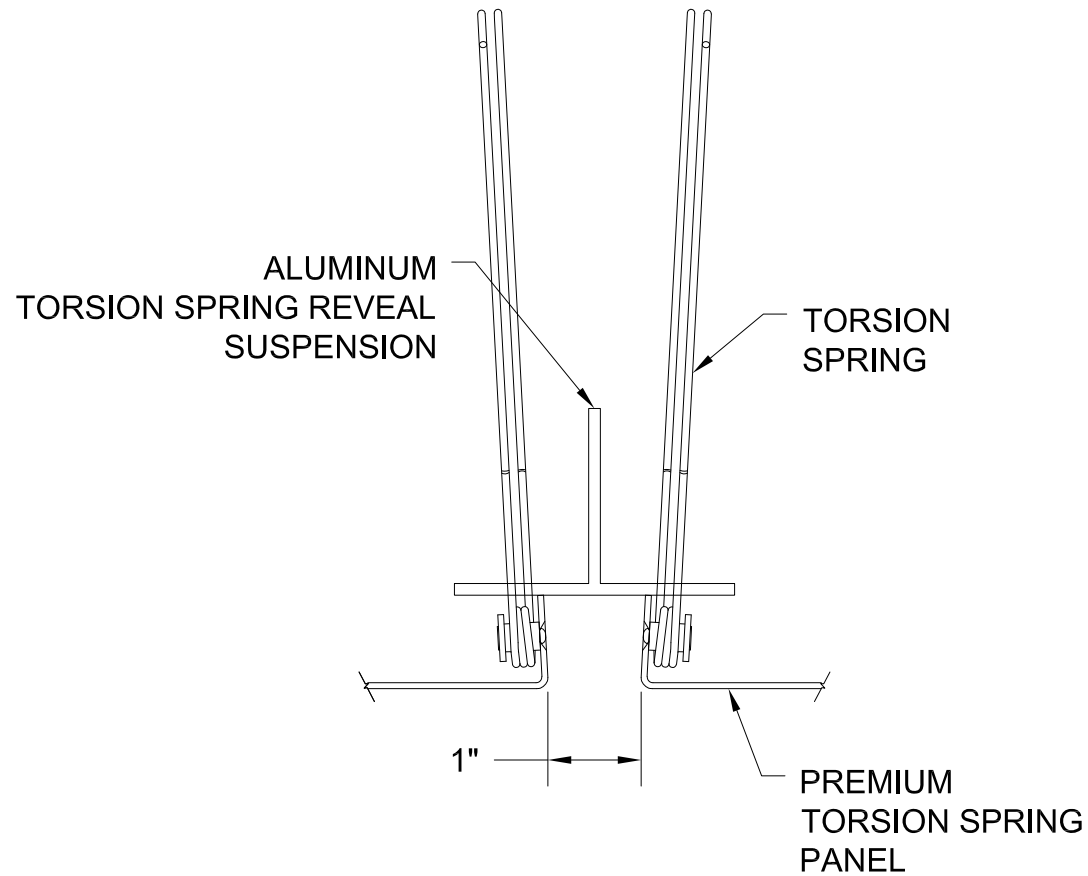


GORDON[®]
ARCHITECTURAL+ENGINEERED SOLUTIONS

5023 Hazel Jones Rd.
Bossier City, LA 71111
800.747.8954
GORDON-INC.COM
sales@gordon-inc.com

CEILINGS
PLANKS & TILES - TORSION SPRING
PREMIUM CEILING (ALUMINUM SUSPENSION)

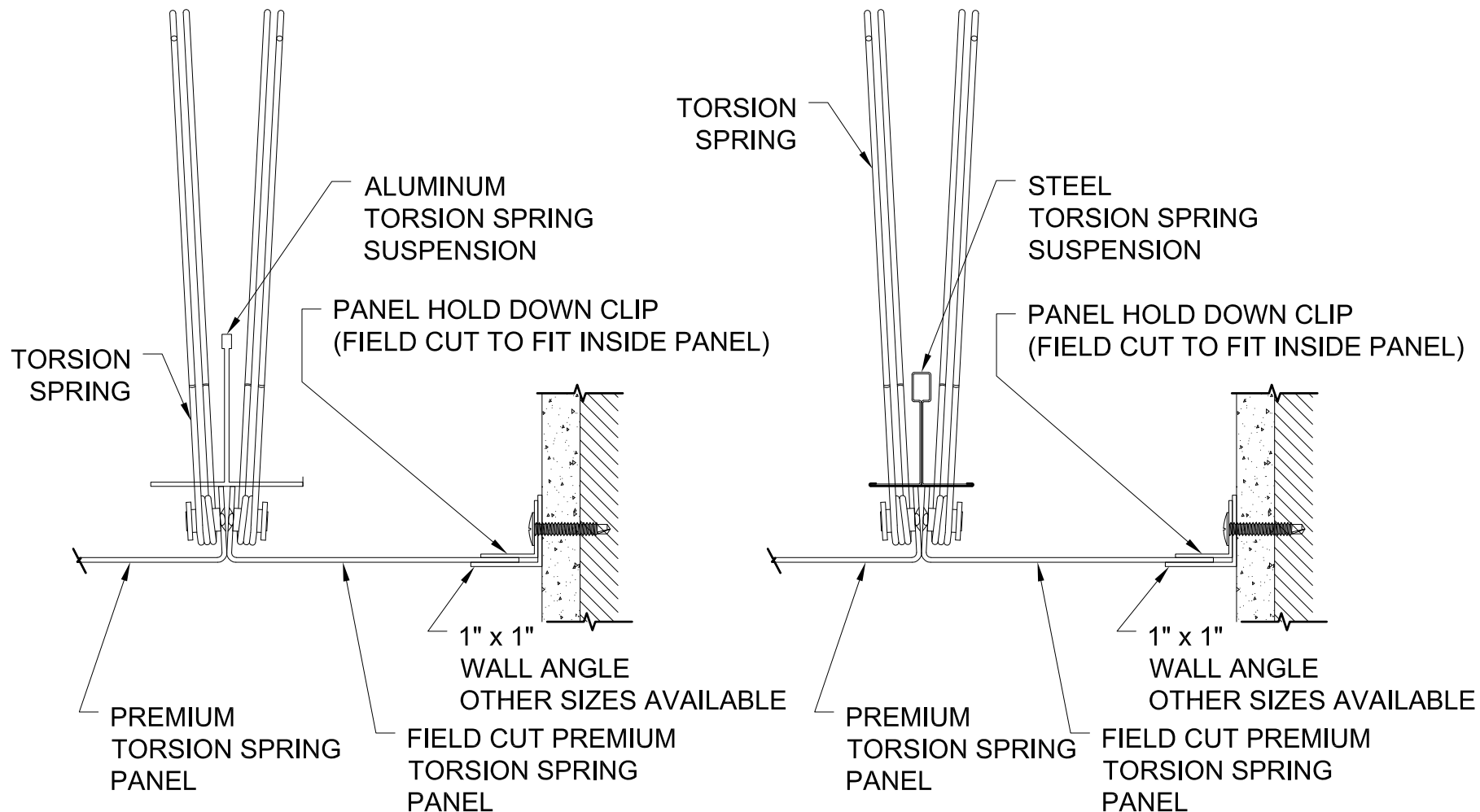




GORDON®
ARCHITECTURAL+ENGINEERED SOLUTIONS

5023 Hazel Jones Rd.
Bossier City, LA 71111
800.747.8954
GORDON-INC.COM
sales@gordon-inc.com

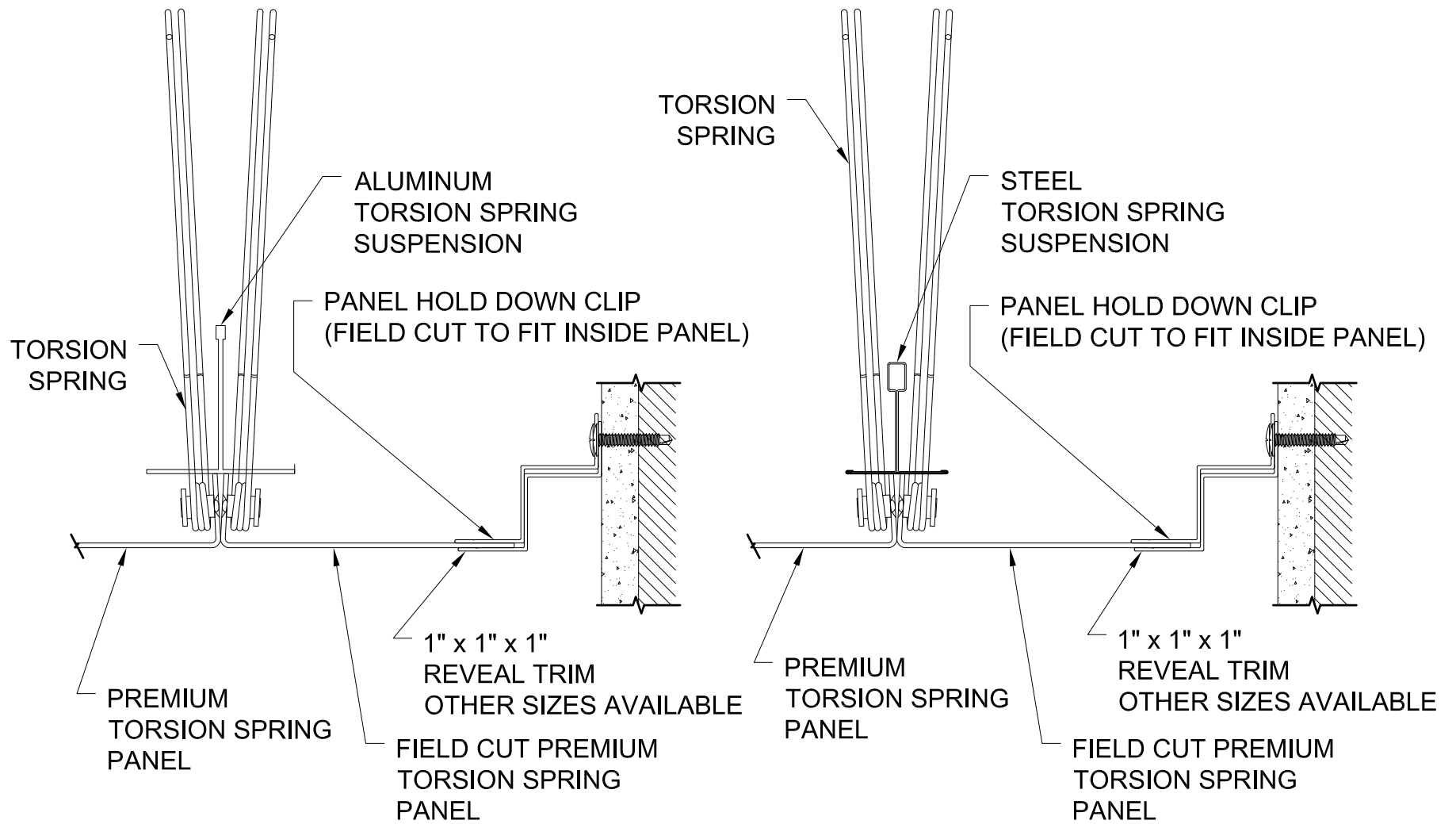
CEILING
PLANKS & TILES - TORSION SPRING
PREMIUM CEILING REVEAL JOINT



GORDON®
ARCHITECTURAL+ENGINEERED SOLUTIONS

5023 Hazel Jones Rd.
Bossier City, LA 71111
800.747.8954
GORDON-INC.COM
sales@gordon-inc.com

CEILING
PLANKS & TILES - TORSION SPRING
PREMIUM CEILING AT PERIMETER



GORDON[®]
ARCHITECTURAL+ENGINEERED SOLUTIONS

5023 Hazel Jones Rd.
Bossier City, LA 71111
800.747.8954
GORDON-INC.COM
sales@gordon-inc.com

**CEILING
PLANKS & TILES - TORSION SPRING
PREMIUM CEILING REVEAL PERIMETER**

