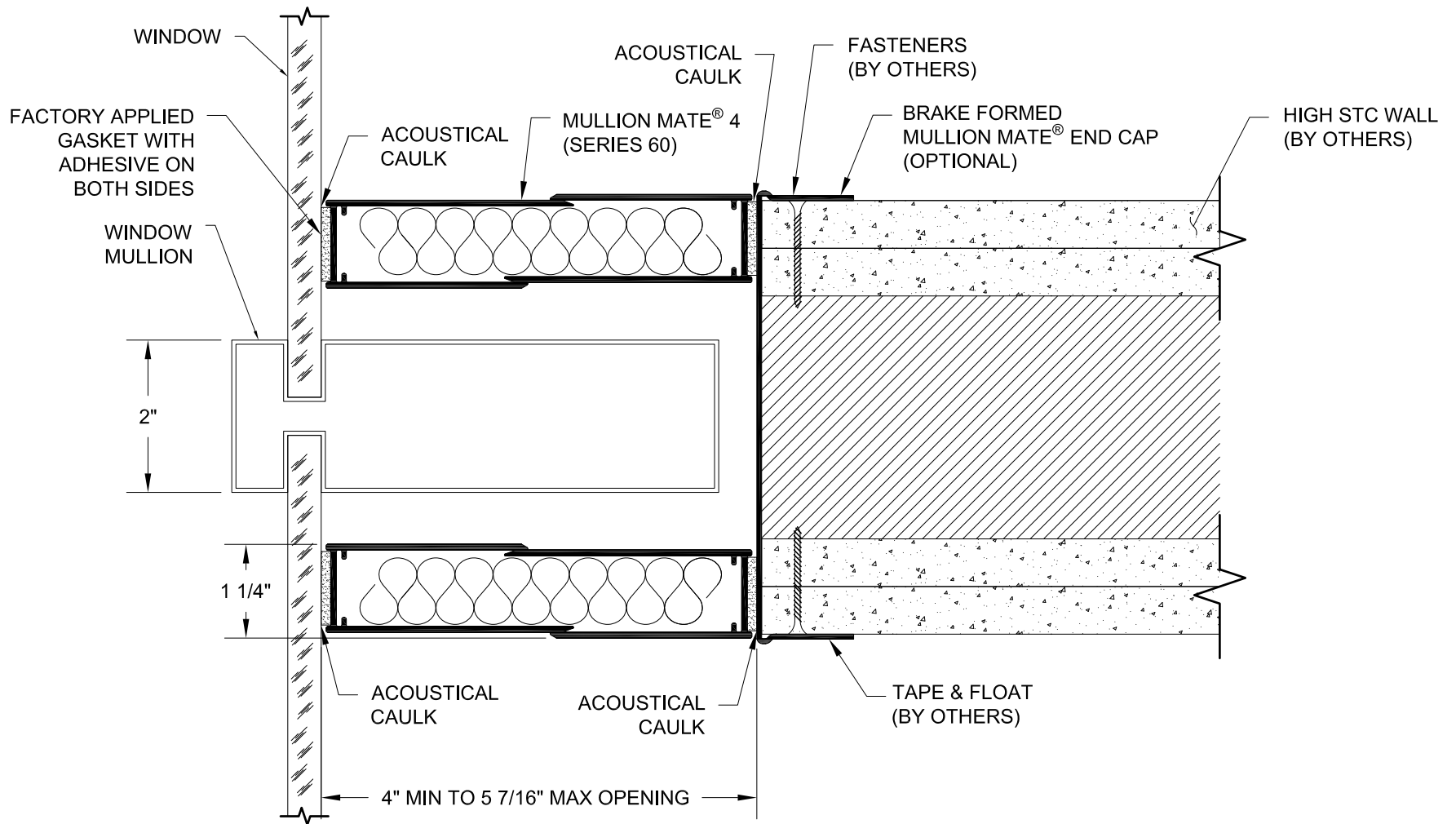


GORDON®
ARCHITECTURAL+ENGINEERED SOLUTIONS

5023 Hazel Jones Rd.
Bossier City, LA 71111
800.747.8954
GORDON-INC.COM
sales@gordon-inc.com

PARTITION GAP CLOSURES
MULLION MATE - SERIES 60
APPLICATION ISO VIEW



WALL-TO-GLASS APPLICATION

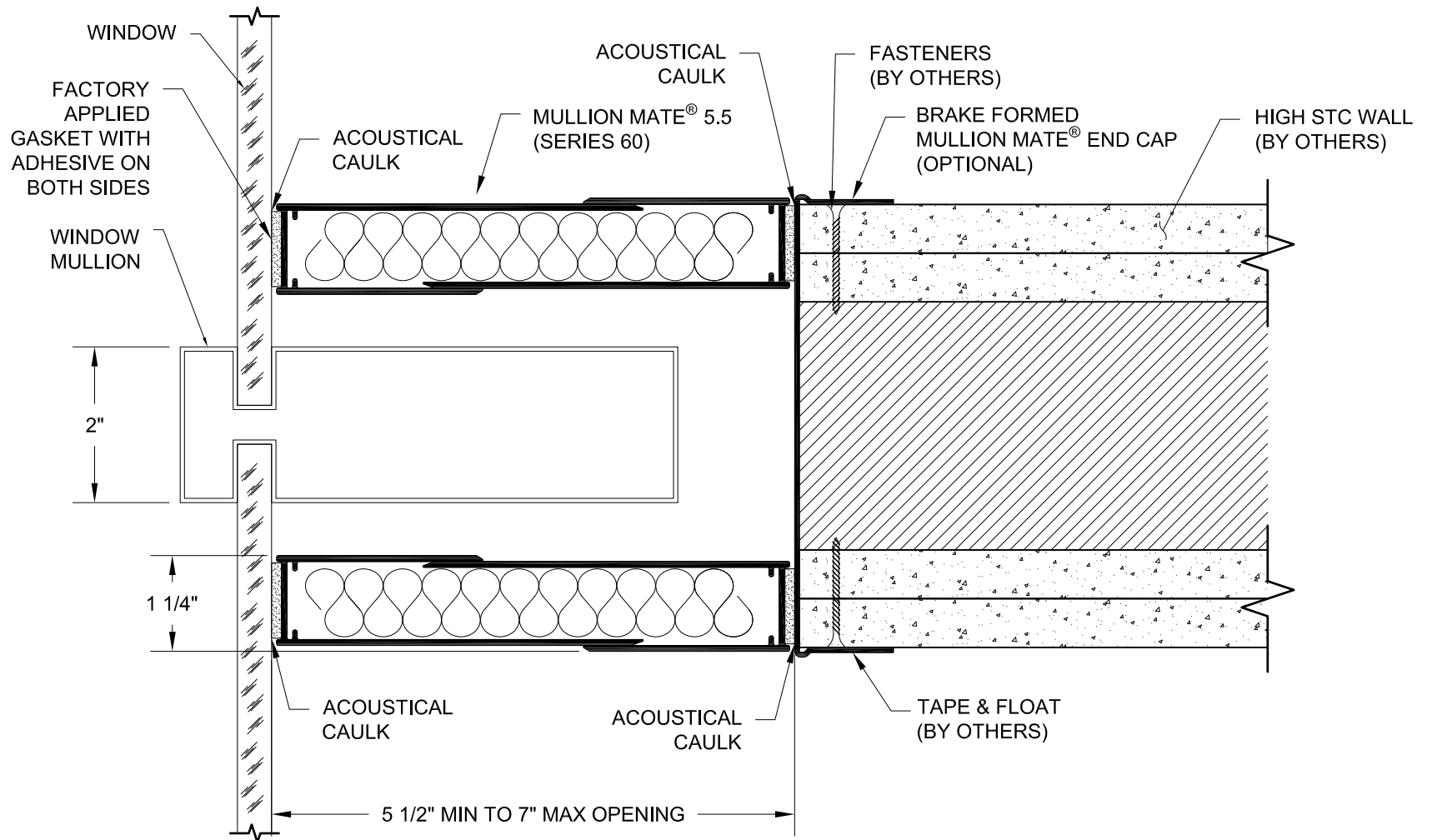
*MULLION MATE® CAN BE INSTALLED AGAINST MINIMUM 1/8" THICK GLASS. INSTALL THE GASKET AGAINST THE GLASS SIDE FIRST. CARE SHOULD BE GIVEN TO PROPERLY POSITION GASKET PRIOR TO CONTACTING GLASS.

NOTE: FIELD CAULKING REQUIRED. A PAINTABLE, ACOUSTICAL CAULK IS SUPPLIED WITH EACH ORDER TO SEAL EDGES FOR A HIGHER STC RATING.

GORDON®
ARCHITECTURAL+ENGINEERED SOLUTIONS

5023 Hazel Jones Rd.
Bossier City, LA 71111
800.747.8954
GORDON-INC.COM
sales@gordon-inc.com

**PARTITION GAP CLOSURES
MULLION MATE - SERIES 60
MM4 SECTION**



WALL-TO-GLASS APPLICATION

*MULLION MATE® CAN BE INSTALLED AGAINST MINIMUM 1/8" THICK GLASS. INSTALL THE GASKET AGAINST THE GLASS SIDE FIRST. CARE SHOULD BE GIVEN TO PROPERLY POSITION GASKET PRIOR TO CONTACTING GLASS.

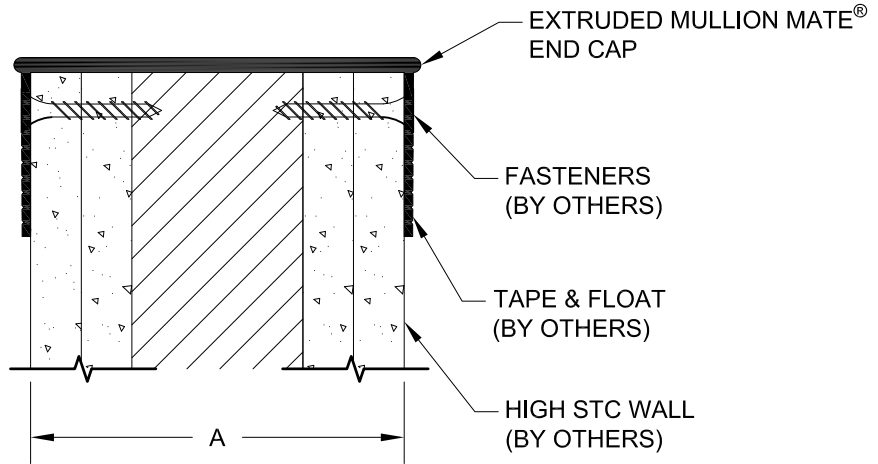
NOTE: FIELD CAULKING REQUIRED. A PAINTABLE, ACOUSTICAL CAULK IS SUPPLIED WITH EACH ORDER TO SEAL EDGES FOR A HIGHER STC RATING.

GORDON®
ARCHITECTURAL+ENGINEERED SOLUTIONS

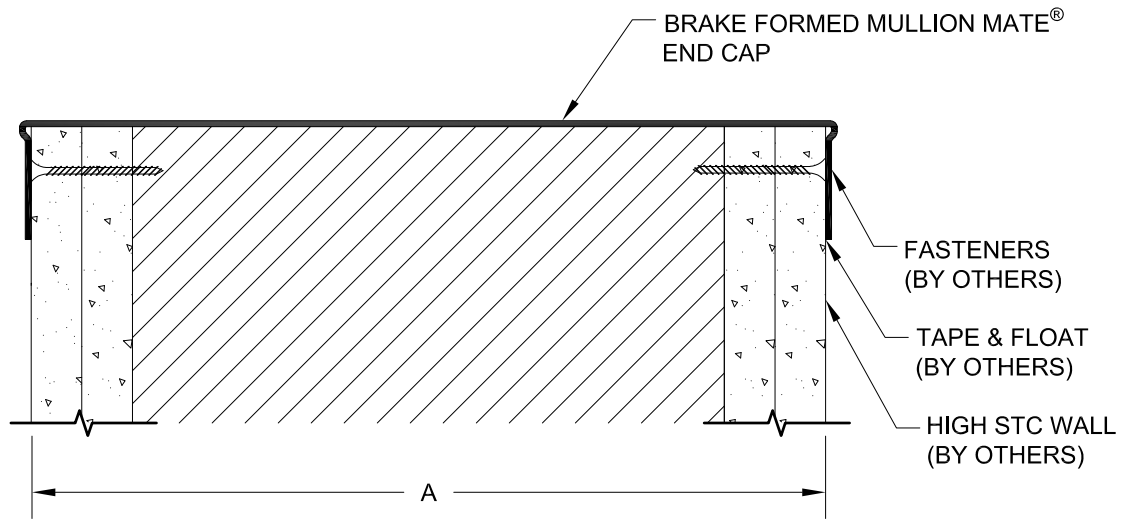
5023 Hazel Jones Rd.
Bossier City, LA 71111
800.747.8954
GORDON-INC.COM
sales@gordon-inc.com

**PARTITION GAP CLOSURES
MULLION MATE - SERIES 60
MM5.5 SECTION**

EXTRUDED MULLION MATE [®] END CAPS	
PART #	"A"
MMEC-375	3-3/4"
MMEC-487	4-7/8"
MMEC-600	6"
MMEC-725	7-1/4"



BRAKE FORMED MULLION MATE [®] END CAPS	
PART #	"A"
MMECBF-518	5-1/8"
MMECBF-514	5-1/4"
MMECBF-512	5-1/2"
MMECBF-618	6-1/8"
MMECBF-812	8-1/2"



NOTE: BRAKE FORMED END CAPS CAN BE SIZED TO FIT YOUR WALL. PLEASE PROVIDE WALL THICKNESS TO FACTORY.

GORDON[®]
ARCHITECTURAL+ENGINEERED SOLUTIONS

5023 Hazel Jones Rd.
Bossier City, LA 71111
800.747.8954
GORDON-INC.COM
sales@gordon-inc.com

PARTITION GAP CLOSURES
MULLION MATE - SERIES 60
END CAP SECTION