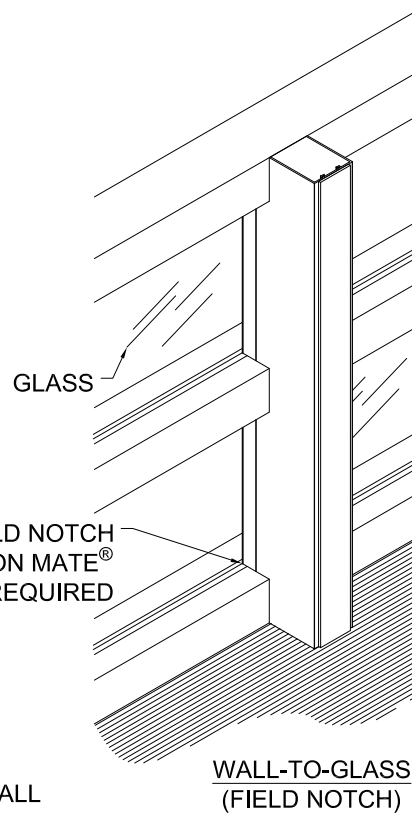
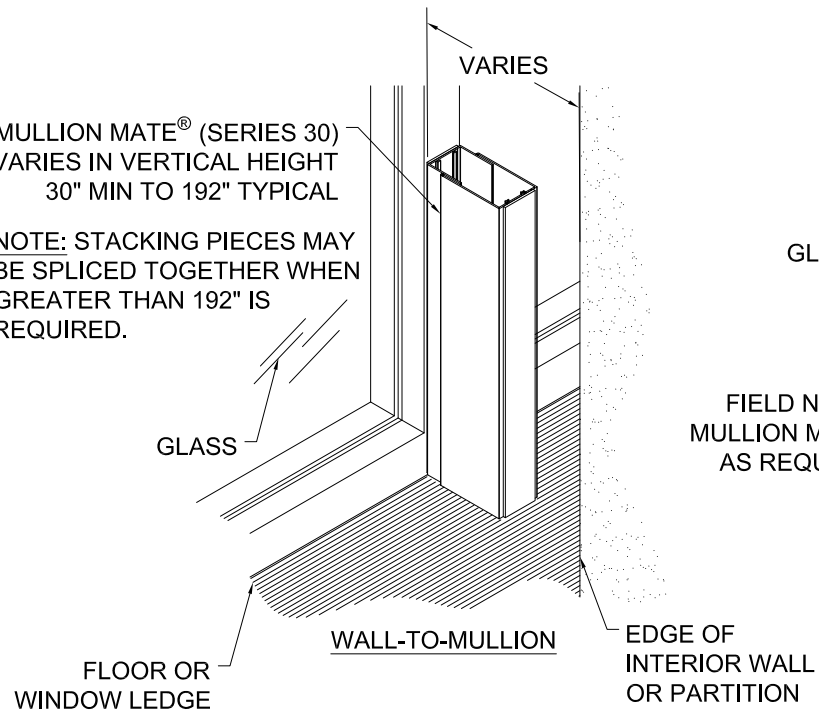
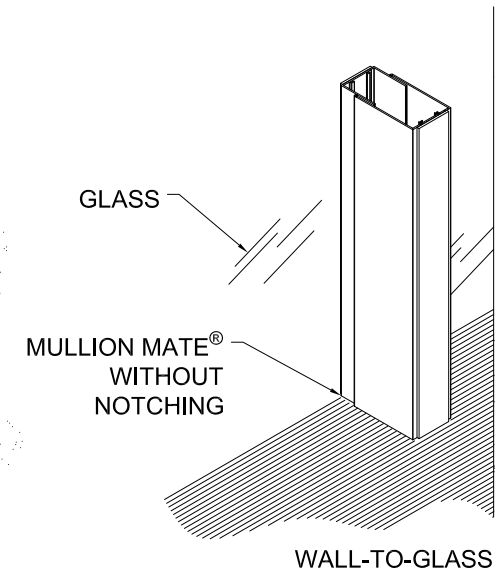


MULLION MATE® (SERIES 30)  
VARIES IN VERTICAL HEIGHT  
30" MIN TO 192" TYPICAL

NOTE: STACKING PIECES MAY  
BE SPLICED TOGETHER WHEN  
GREATER THAN 192" IS  
REQUIRED.



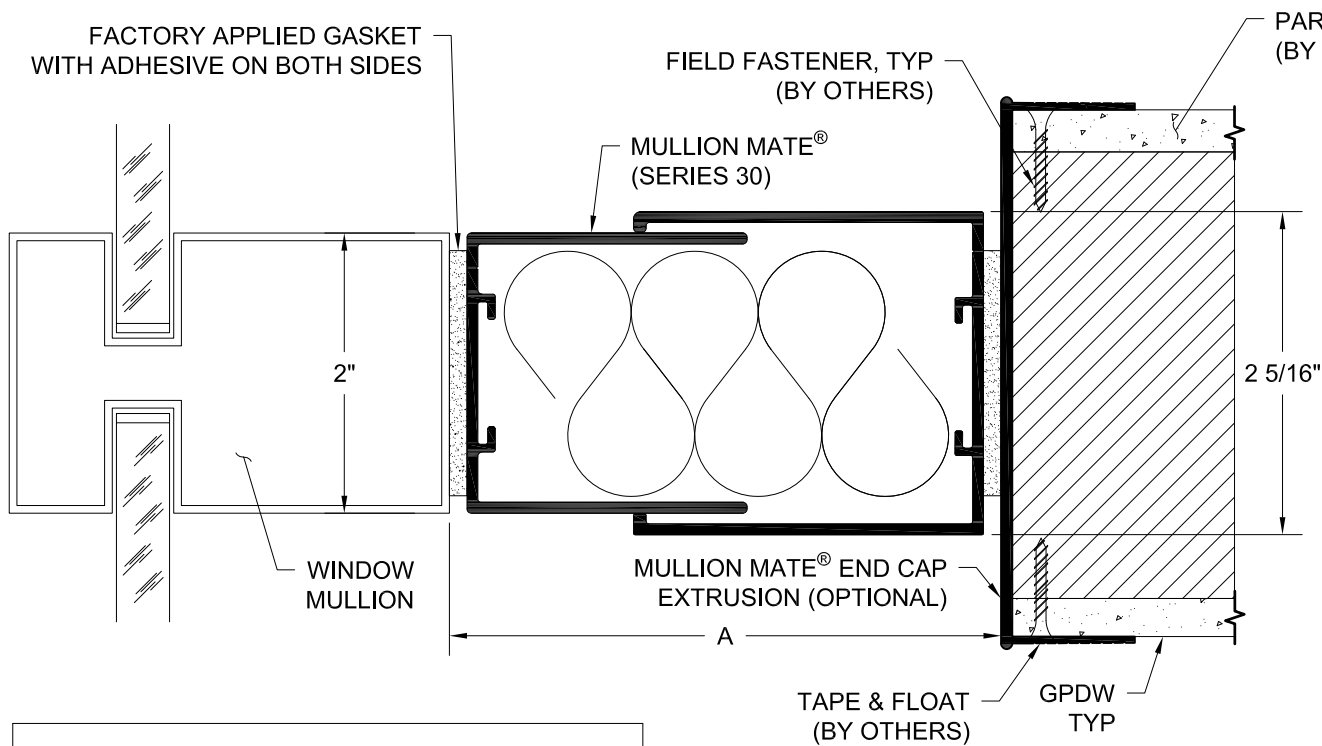
NOTE: FACTORY NOTCHING IS  
AVAILABLE, CONTACT FACTORY.



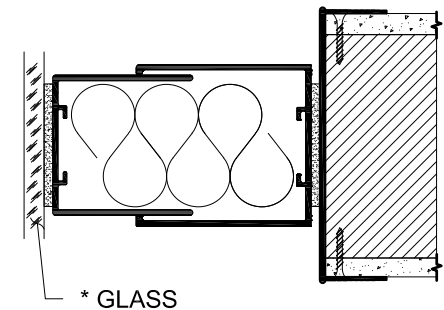
**GORDON**®  
ARCHITECTURAL+ENGINEERED SOLUTIONS

5023 Hazel Jones Rd.  
Bossier City, LA 71111  
800.747.8954  
GORDON-INC.COM  
sales@gordon-inc.com

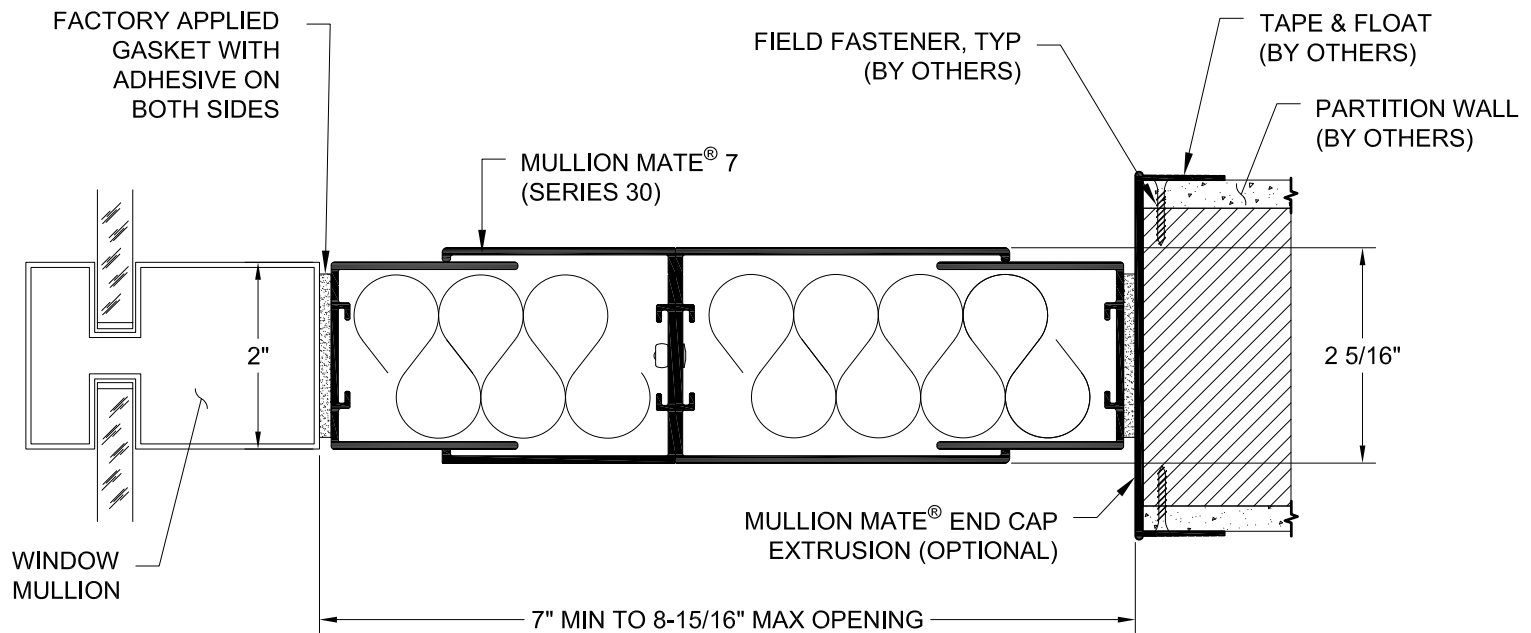
PARTITION GAP CLOSURES  
MULLION MATE - SERIES 30  
APPLICATION ISO VIEW



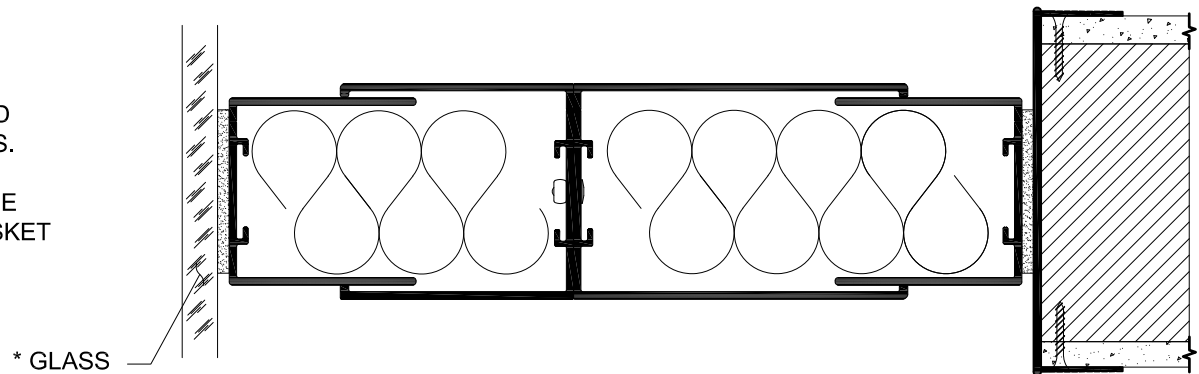
**WALL-TO-GLASS APPLICATION**  
 \*MULLION MATE® CAN BE INSTALLED AGAINST MINIMUM 1/8" THICK GLASS. INSTALL THE GASKET AGAINST THE GLASS SIDE FIRST. CARE SHOULD BE GIVEN TO PROPERLY POSITION GASKET PRIOR TO CONTACTING GLASS.



MULLION MATE® SIZING	
PRODUCT	DIM "A"
MM2	2" TO 2-15/16"
MM3	3" TO 3-15/16"
MM4	4" TO 4-15/16"
MM5	5" TO 6-15/16"



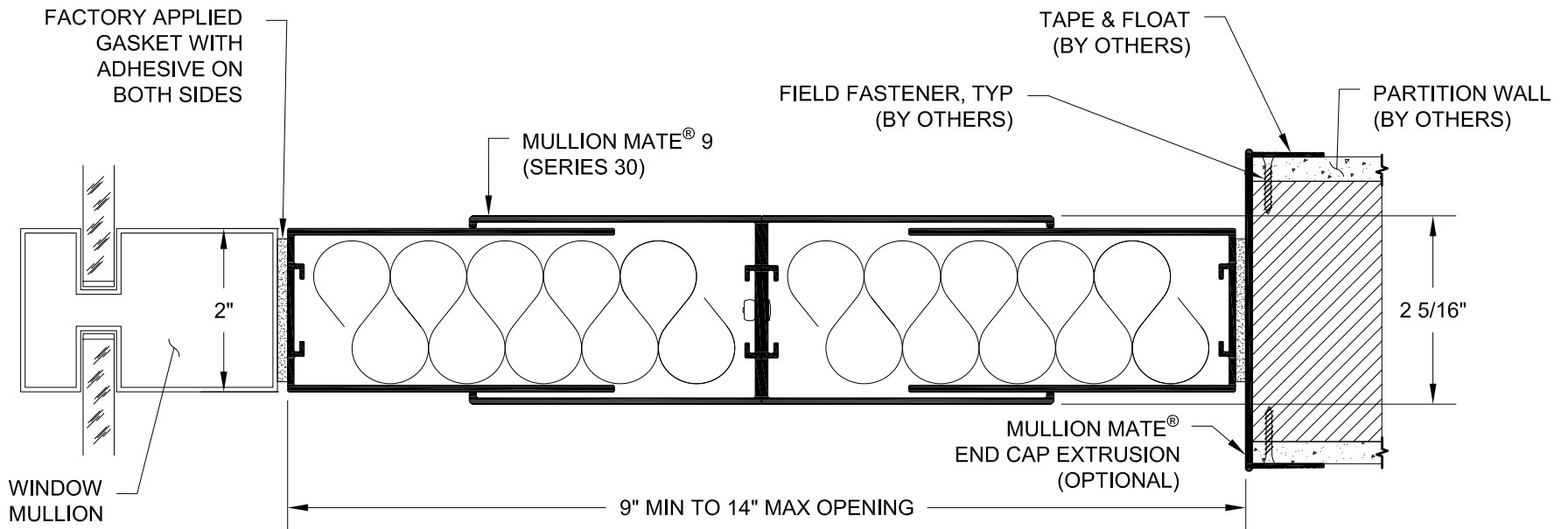
**WALL-TO-GLASS APPLICATION**  
 \*MULLION MATE® CAN BE INSTALLED AGAINST MINIMUM 1/8" THICK GLASS. INSTALL THE GASKET AGAINST THE GLASS SIDE FIRST. CARE SHOULD BE GIVEN TO PROPERLY POSITION GASKET PRIOR TO CONTACTING GLASS.



**GORDON**®  
 ARCHITECTURAL+ENGINEERED SOLUTIONS

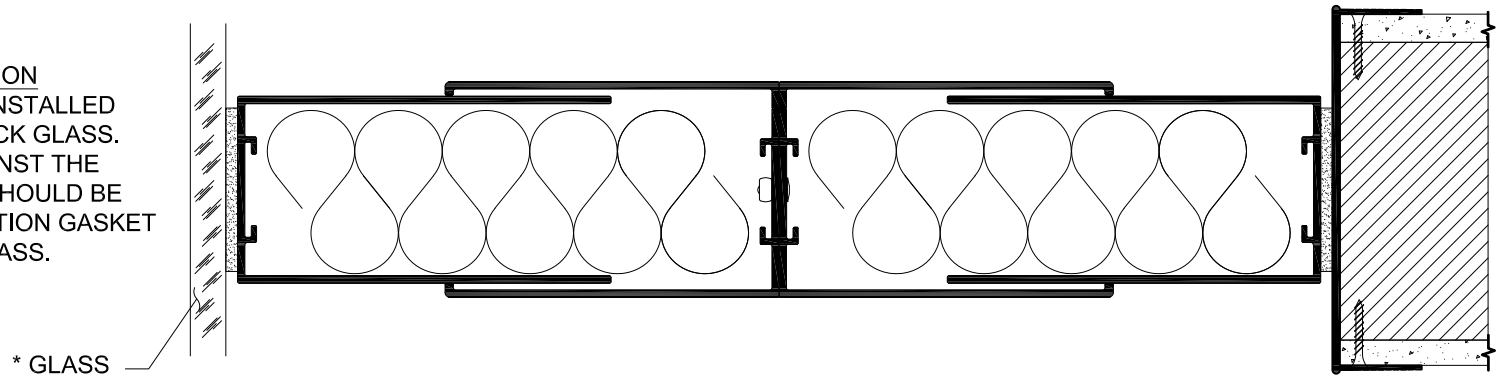
5023 Hazel Jones Rd.  
 Bossier City, LA 71111  
 800.747.8954  
 GORDON-INC.COM  
 sales@gordon-inc.com

**PARTITION GAP CLOSURES  
 MULLION MATE - SERIES 30  
 MM7 SECTION**



**WALL-TO-GLASS APPLICATION**

\*MULLION MATE® CAN BE INSTALLED AGAINST MINIMUM 1/8" THICK GLASS. INSTALL THE GASKET AGAINST THE GLASS SIDE FIRST. CARE SHOULD BE GIVEN TO PROPERLY POSITION GASKET PRIOR TO CONTACTING GLASS.

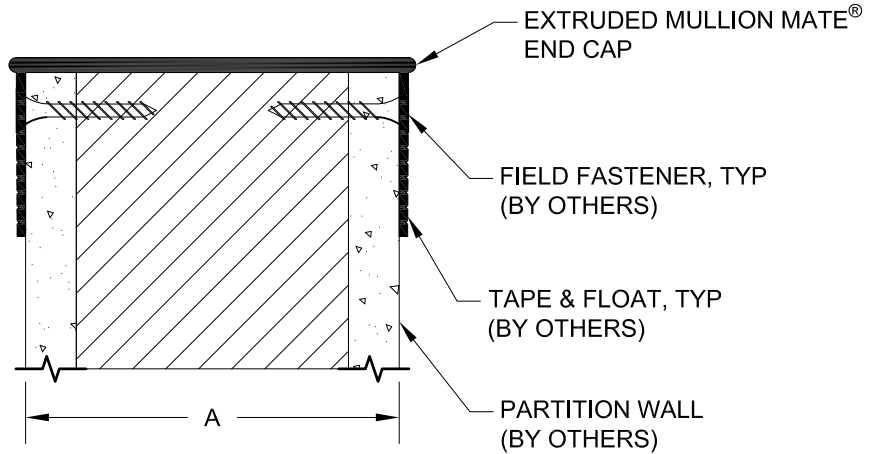


**GORDON**®  
ARCHITECTURAL+ENGINEERED SOLUTIONS

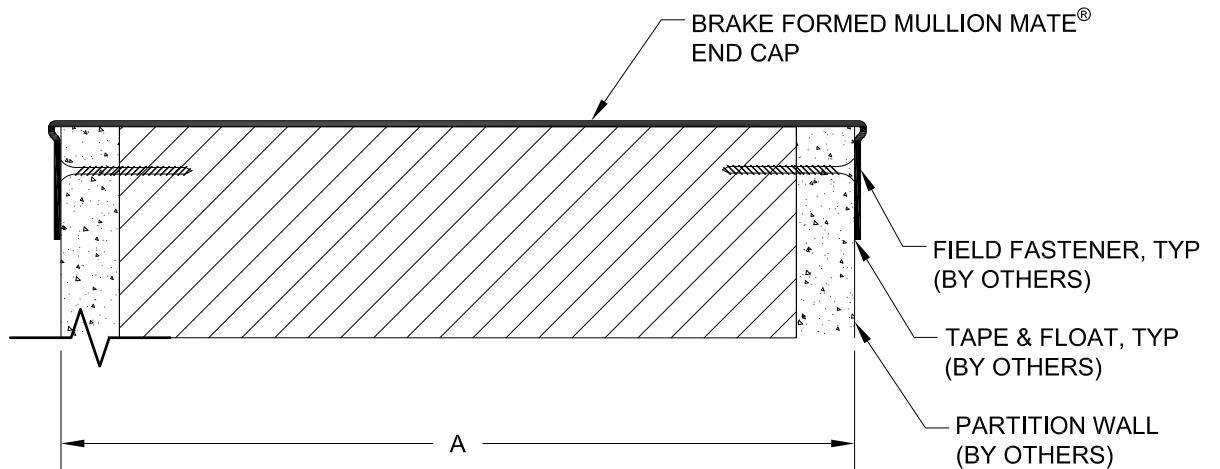
5023 Hazel Jones Rd.  
Bossier City, LA 71111  
800.747.8954  
GORDON-INC.COM  
sales@gordon-inc.com

**PARTITION GAP CLOSURES  
MULLION MATE - SERIES 30  
MM9 SECTION**

EXTRUDED MULLION MATE® END CAPS	
PART #	"A"
MMEC-375	3-3/4"
MMEC-487	4-7/8"
MMEC-600	6"
MMEC-725	7-1/4"



BRAKE FORMED MULLION MATE® END CAPS	
PART #	"A"
MMECBF-518	5-1/8"
MMECBF-514	5-1/4"
MMECBF-512	5-1/2"
MMECBF-618	6-1/8"
MMECBF-812	8-1/2"



NOTE: BRAKE FORMED END CAPS CAN BE SIZED TO FIT YOUR WALL. PLEASE PROVIDE WALL THICKNESS TO FACTORY.

**GORDON**®  
ARCHITECTURAL+ENGINEERED SOLUTIONS

5023 Hazel Jones Rd.  
Bossier City, LA 71111  
800.747.8954  
GORDON-INC.COM  
sales@gordon-inc.com

PARTITION GAP CLOSURES  
MULLION MATE - SERIES 30  
END CAP SECTION