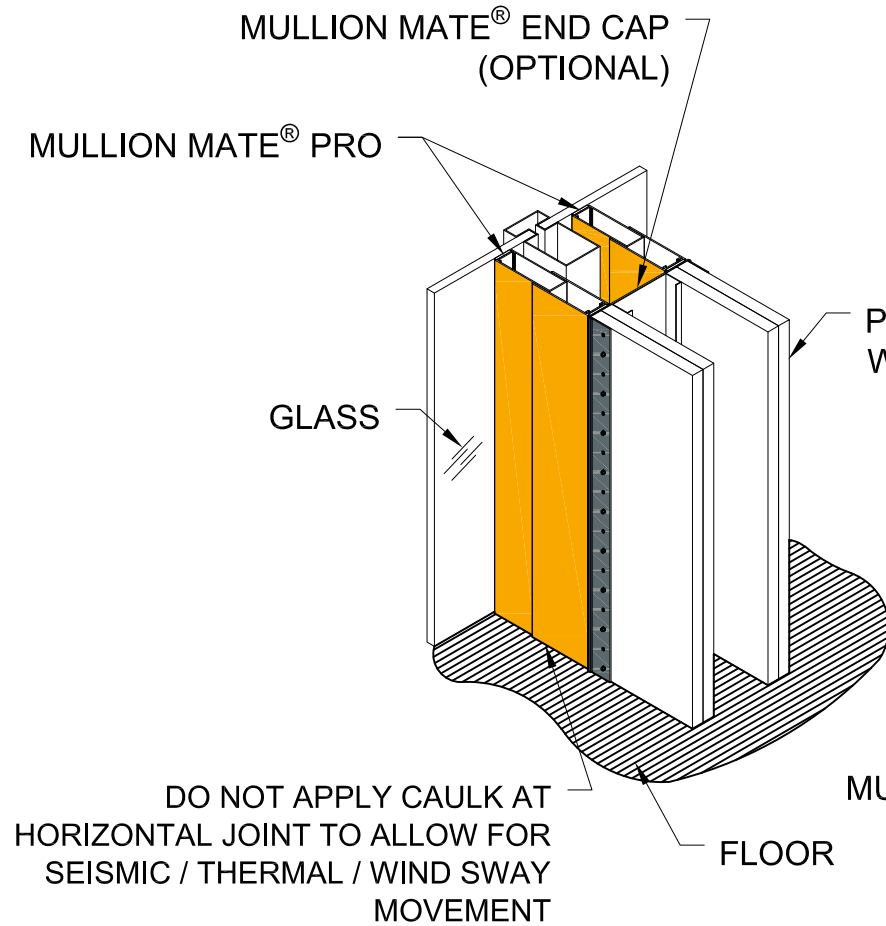
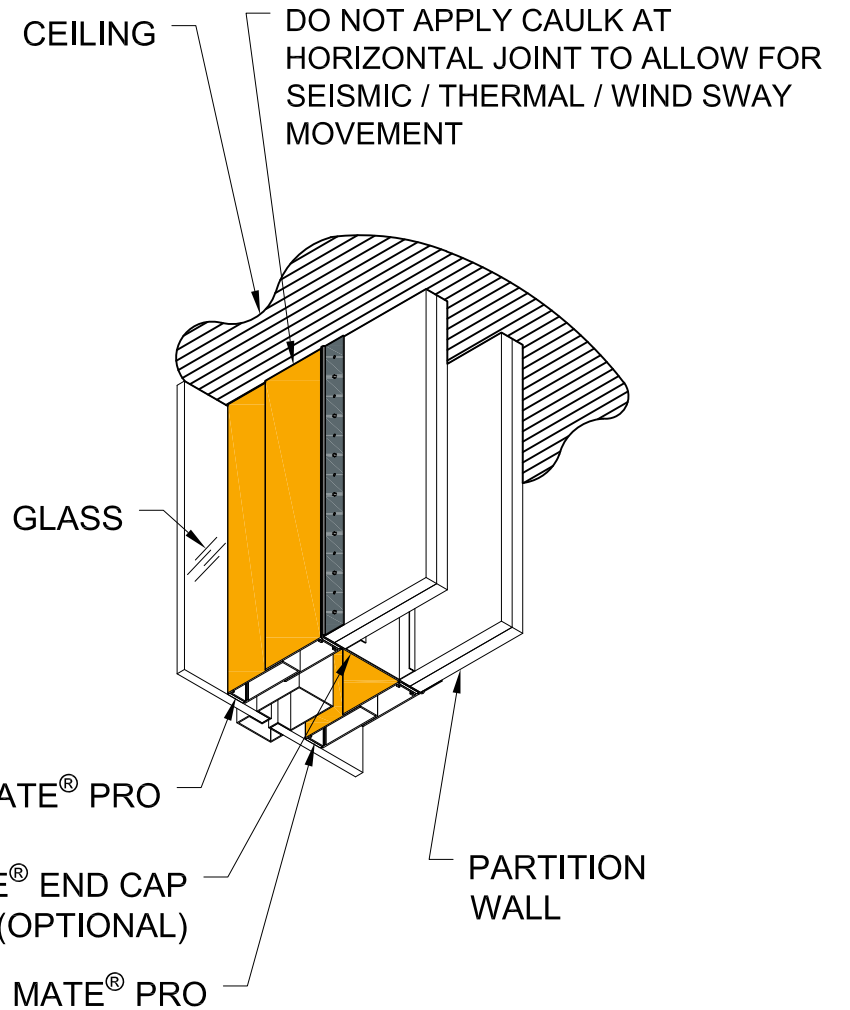


NOTE: MULLION MATE® PRO MAY BE
SPLICED TOGETHER WHEN
GREATER THAN 192" IS REQUIRED.



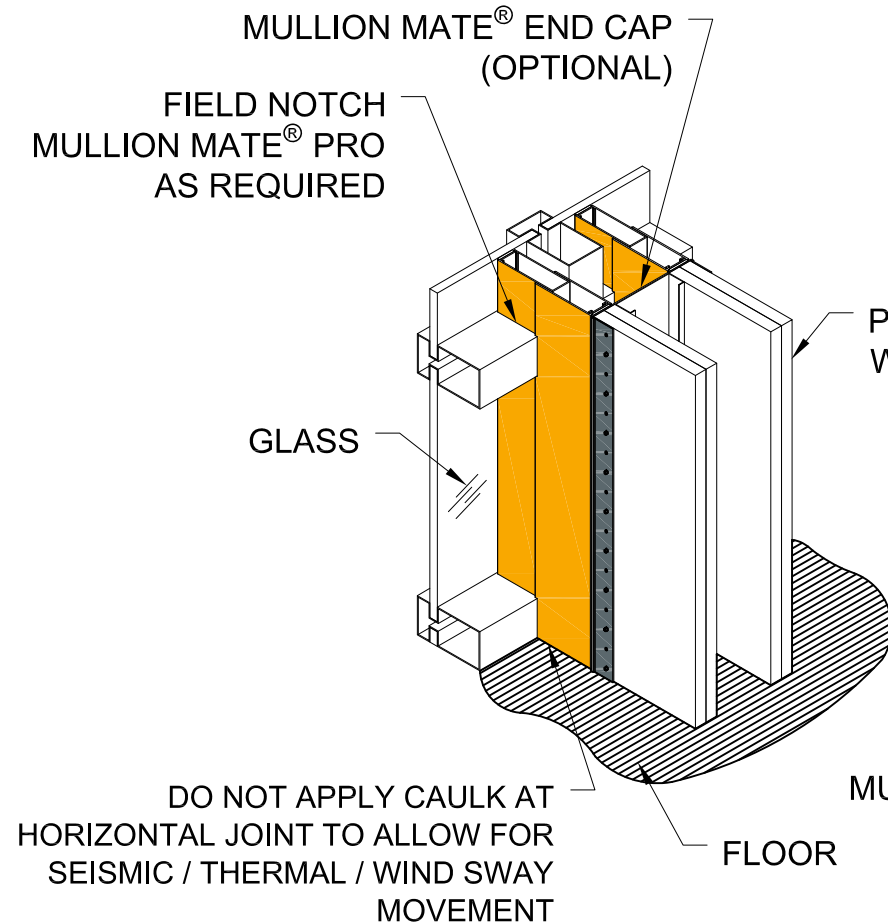
DETAIL AT FLOOR



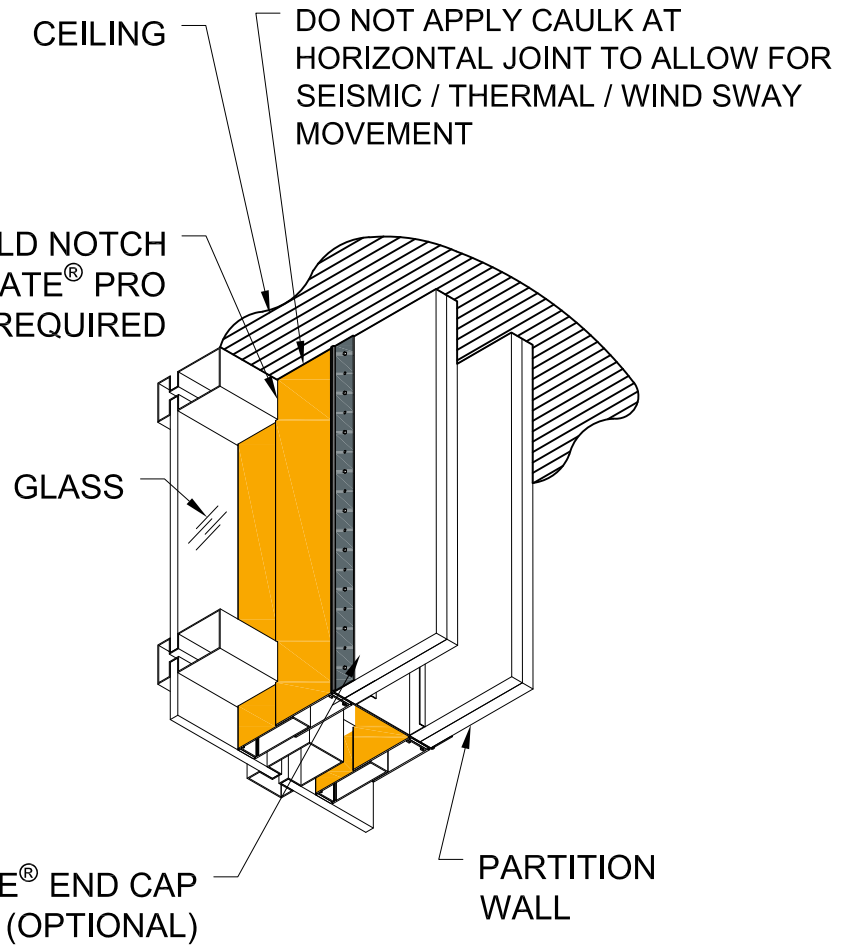
DETAIL AT CEILING

MULLION MATE® PRO PATENT 12,024,881

NOTE: MULLION MATE® PRO MAY BE
 SPLICED TOGETHER WHEN
 GREATER THAN 192" IS REQUIRED.

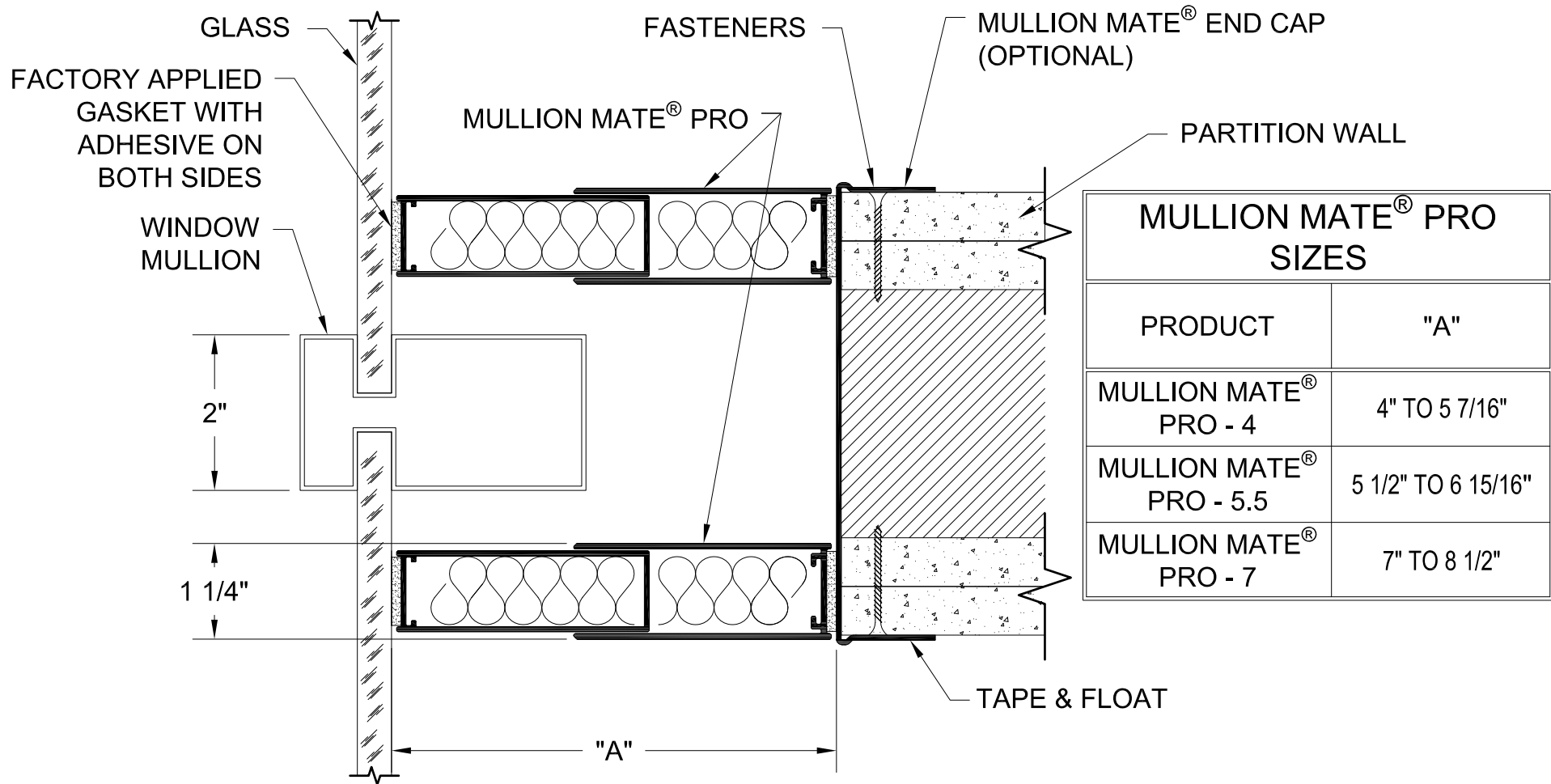


DETAIL AT FLOOR



DETAIL AT CEILING

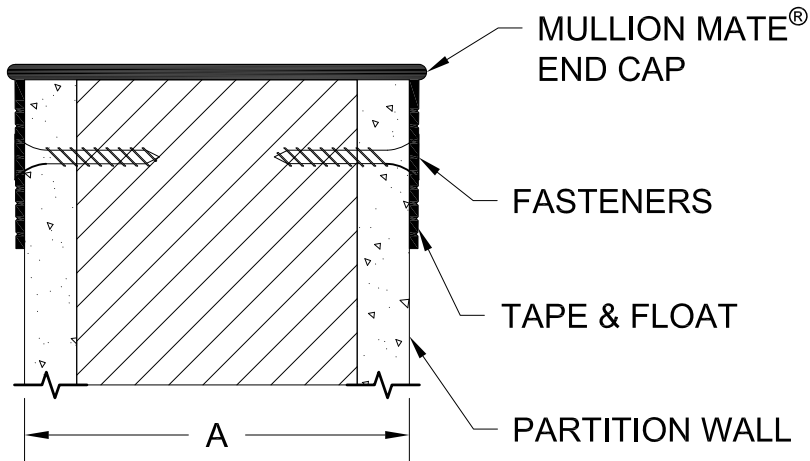
MULLION MATE® PRO PATENT 12,024,881



WALL-TO-GLASS APPLICATION

MULLION MATE[®] PRO IS INSTALLED AGAINST MINIMUM 1/8" THICK GLASS. INSTALL THE GASKET AGAINST THE GLASS SIDE FIRST. CARE SHOULD BE GIVEN TO PROPERLY POSITION GASKET PRIOR TO CONTACTING GLASS.

MULLION MATE[®] PRO PATENT 12,024,881



MULLION MATE[®] END CAPS

PART #	"A"
MMEC-375	3 3/4"
MMEC-487	4 7/8"
MMECBF-518	5 1/8"
MMECBF-514	5 1/4"
MMECBF-512	5 1/2"
MMEC-600	6"
MMECBF-618	6 1/8"
MMEC-725	7 1/4"
MMECBF-812	8 1/2"

* CONTACT FACTORY FOR OTHER SIZE OPTIONS