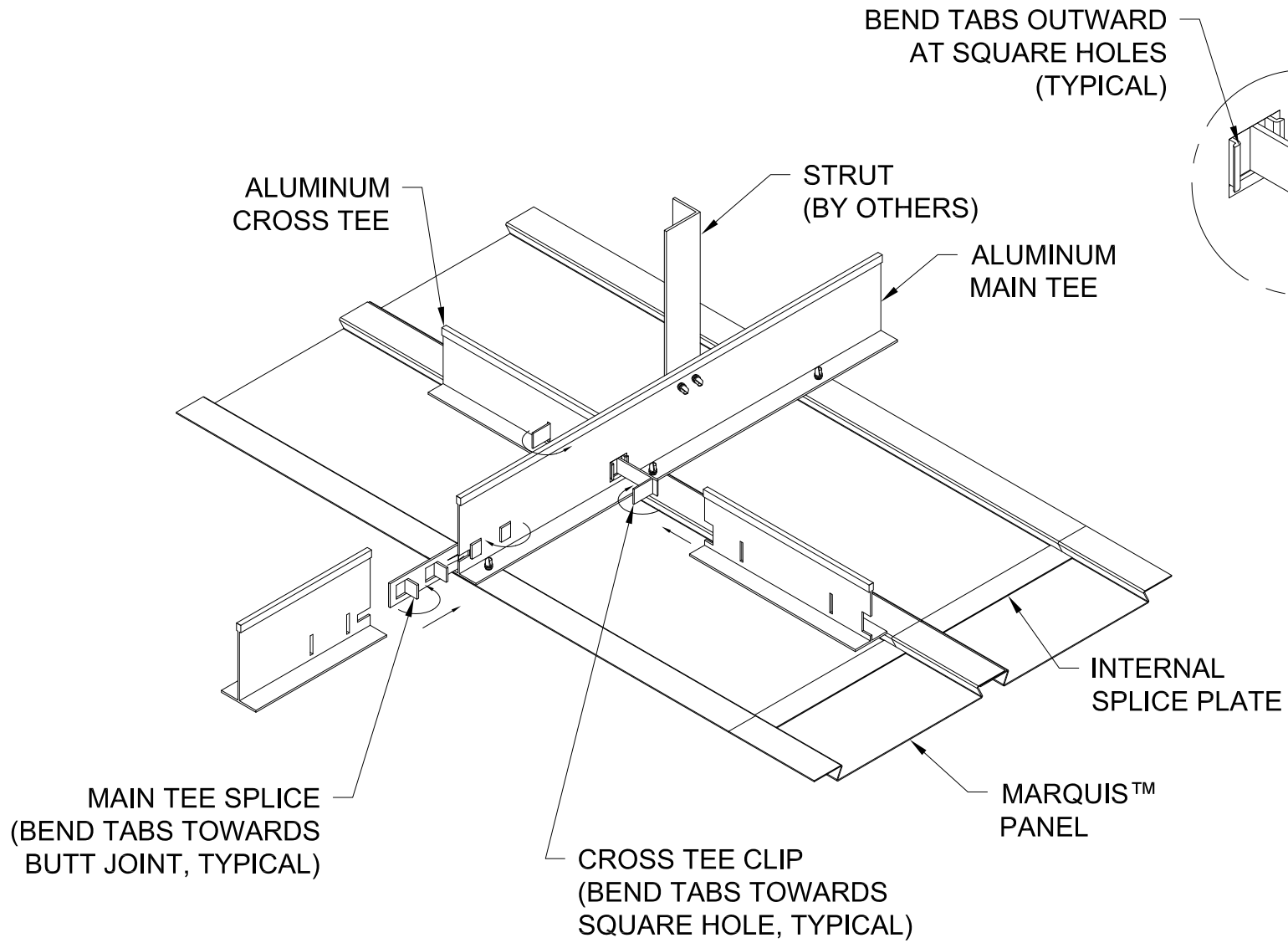


GORDON® ARCHITECTURAL+ENGINEERED SOLUTIONS
5023 Hazel Jones Rd.
Bossier City, LA 71111
800.747.8954
GORDON-INC.COM
sales@gordon-inc.com

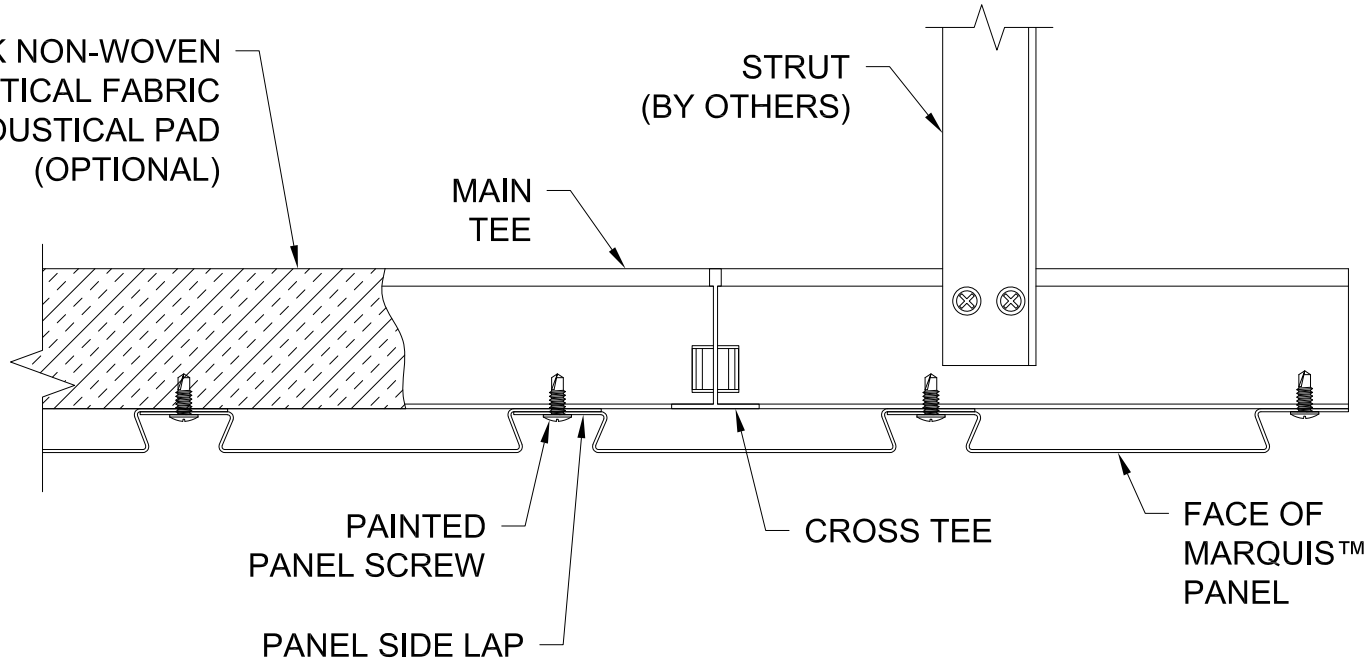
CEILING
LINEAR - MARQUIS
ISOMETRIC (STEEL SUSPENSION)



BLACK NON-WOVEN
ACOUSTICAL FABRIC
AND/OR ACOUSTICAL PAD
(OPTIONAL)

STRUT
(BY OTHERS)

MAIN
TEE



PAINTED
PANEL SCREW

CROSS TEE

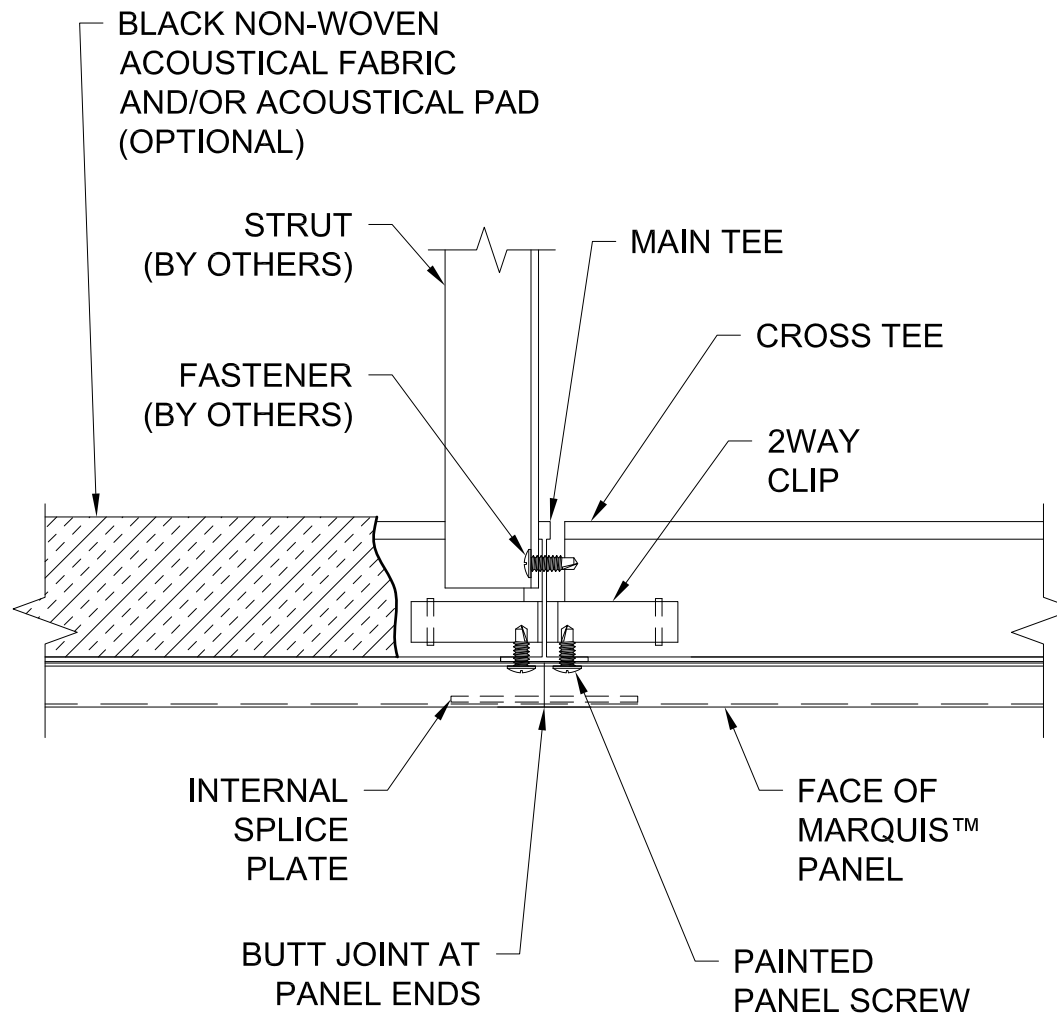
FACE OF
MARQUIS™
PANEL

PANEL SIDE LAP

GORDON®
ARCHITECTURAL+ENGINEERED SOLUTIONS

5023 Hazel Jones Rd.
Bossier City, LA 71111
800.747.8954
GORDON-INC.COM
sales@gordon-inc.com

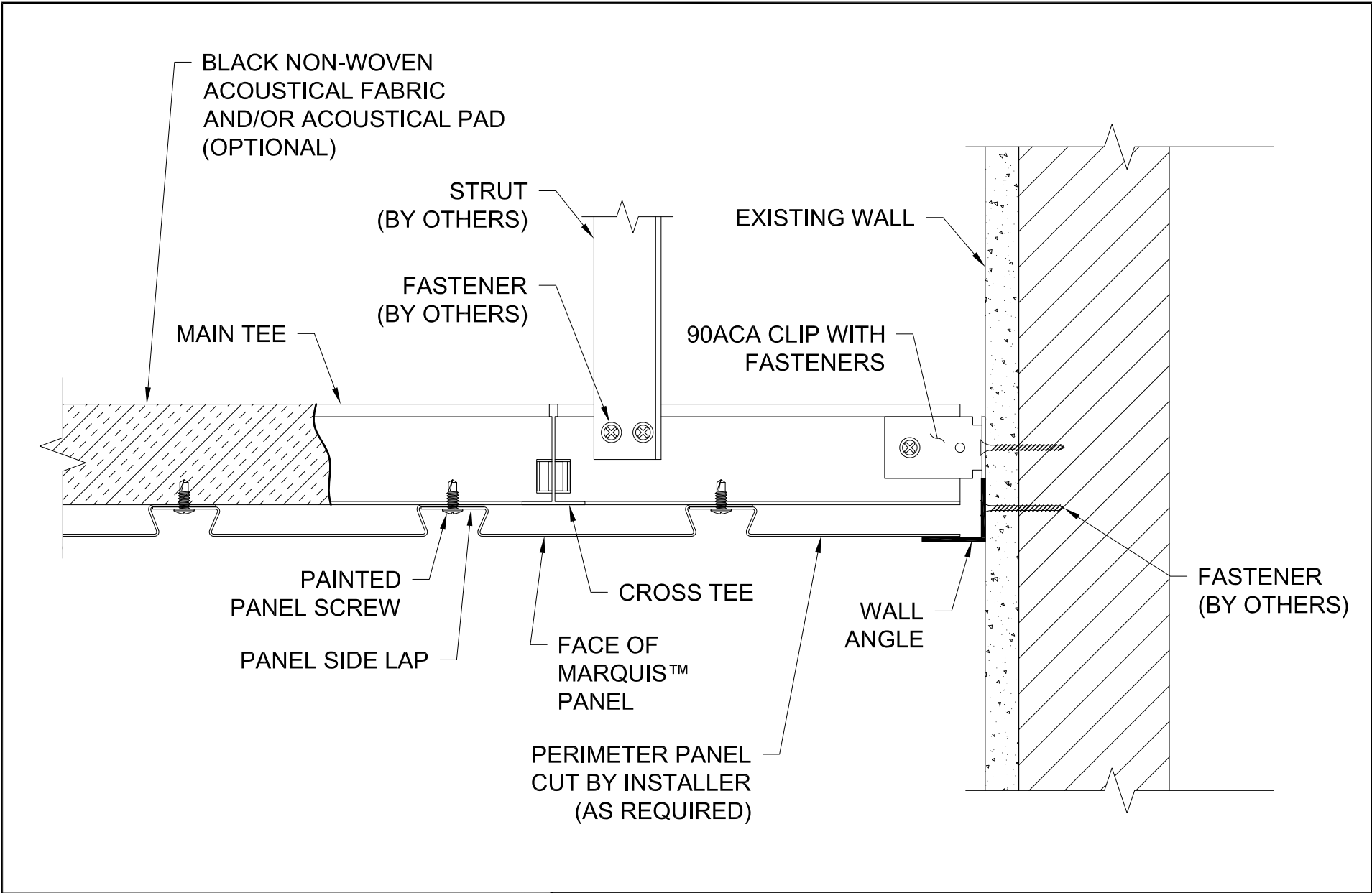
CEILING
LINEAR - MARQUIS
SIDE SECTION



GORDON®
ARCHITECTURAL+ENGINEERED SOLUTIONS

5023 Hazel Jones Rd.
Bossier City, LA 71111
800.747.8954
GORDON-INC.COM
sales@gordon-inc.com

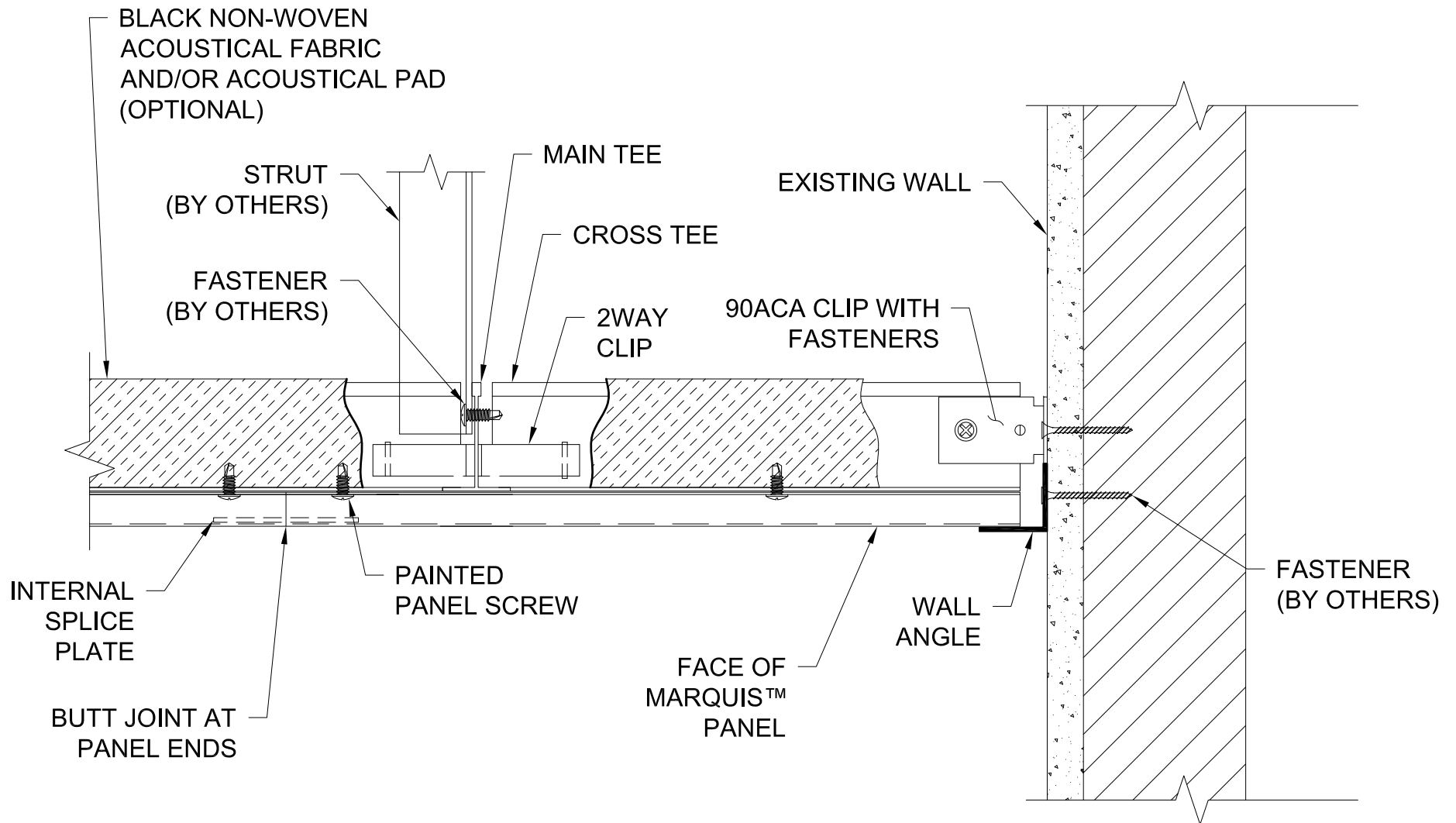
CEILING
LINEAR - MARQUIS
END SECTION



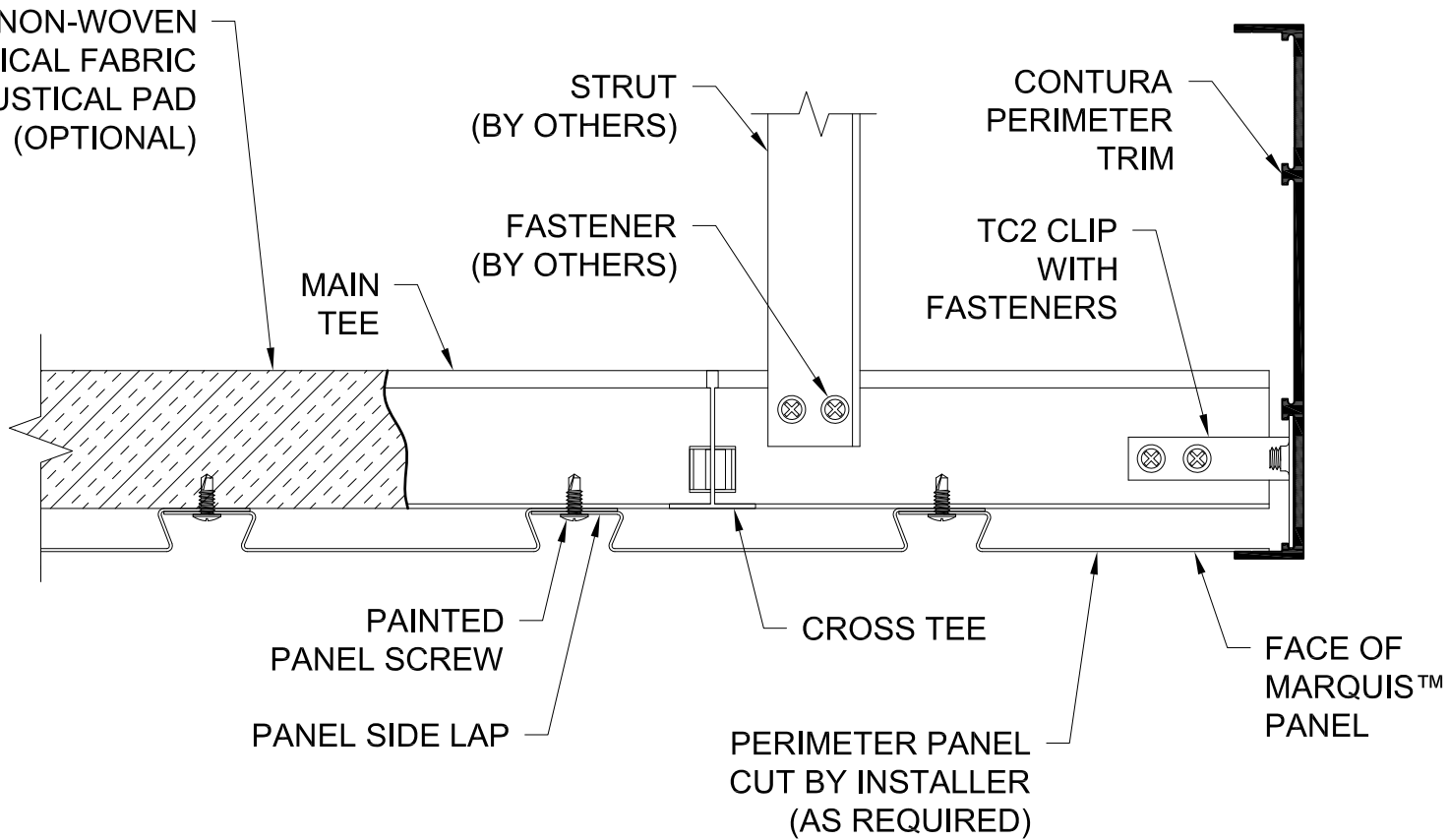
GORDON®
ARCHITECTURAL+ENGINEERED SOLUTIONS

5023 Hazel Jones Rd.
Bossier City, LA 71111
800.747.8954
GORDON-INC.COM
sales@gordon-inc.com

CEILING
LINEAR - MARQUIS
SIDE SECTION - WALL ANGLE



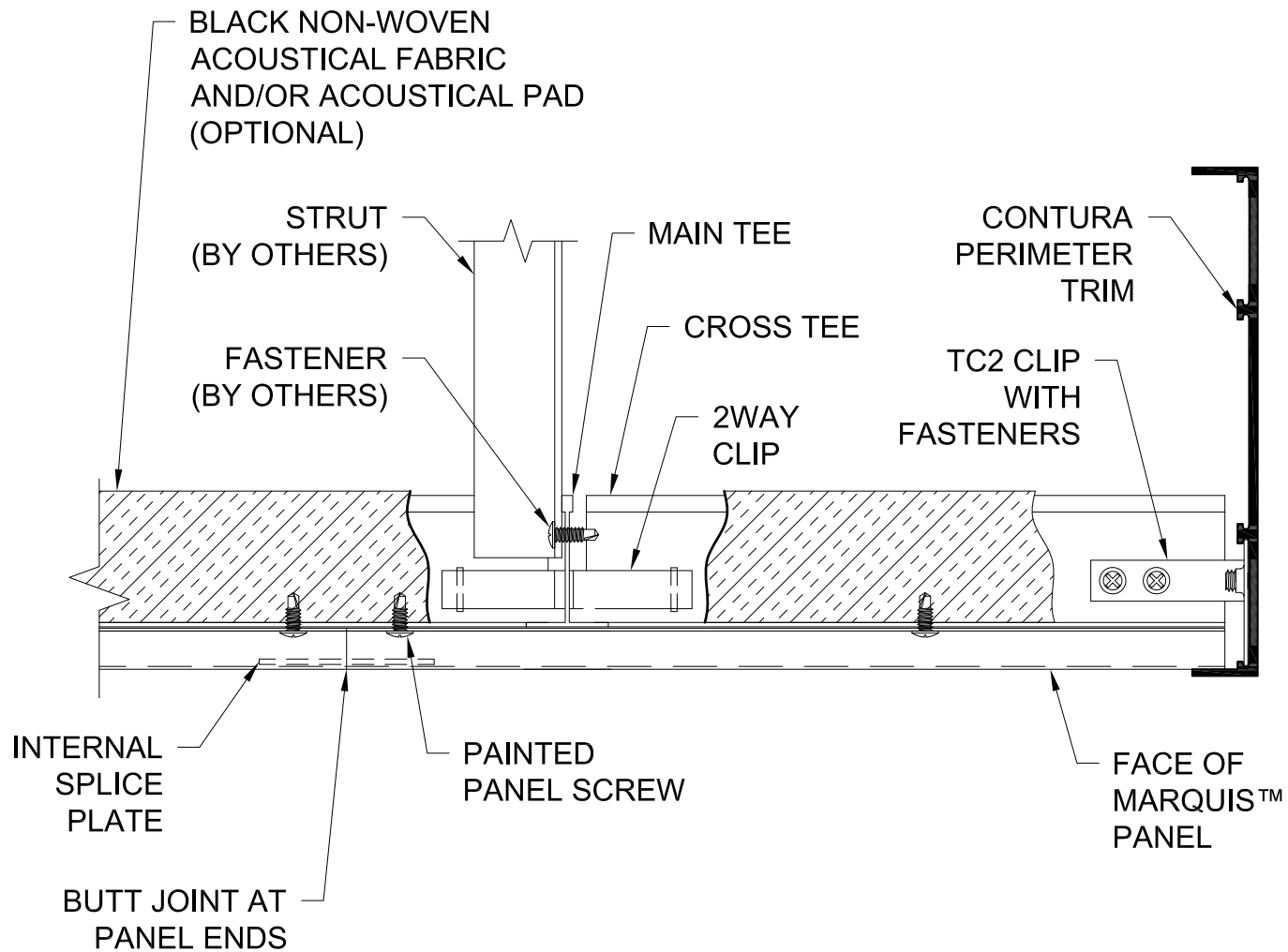
BLACK NON-WOVEN
ACOUSTICAL FABRIC
AND/OR ACOUSTICAL PAD
(OPTIONAL)



GORDON®
ARCHITECTURAL+ENGINEERED SOLUTIONS

5023 Hazel Jones Rd.
Bossier City, LA 71111
800.747.8954
GORDON-INC.COM
sales@gordon-inc.com

CEILING
LINEAR - MARQUIS
SIDE SECTION - PERIMETER TRIM



GORDON®
ARCHITECTURAL+ENGINEERED SOLUTIONS

5023 Hazel Jones Rd.
Bossier City, LA 71111
800.747.8954
GORDON-INC.COM
sales@gordon-inc.com

CEILING
LINEAR - MARQUIS
END SECTION - PERIMETER TRIM