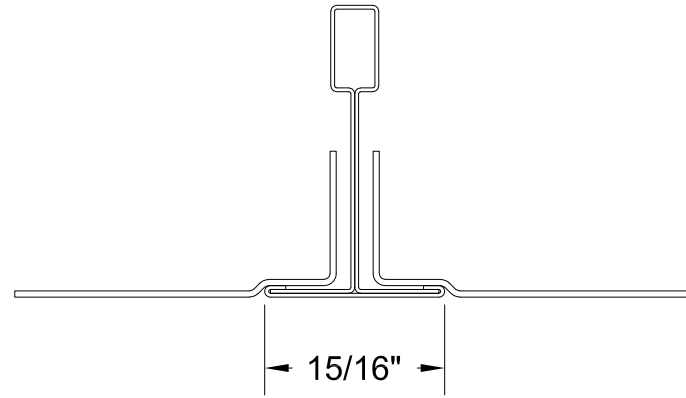
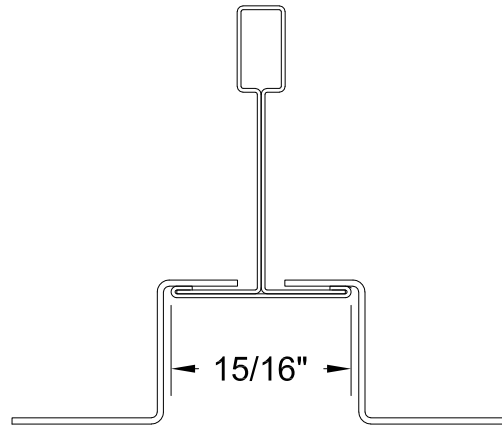


RETURN



FLUSH

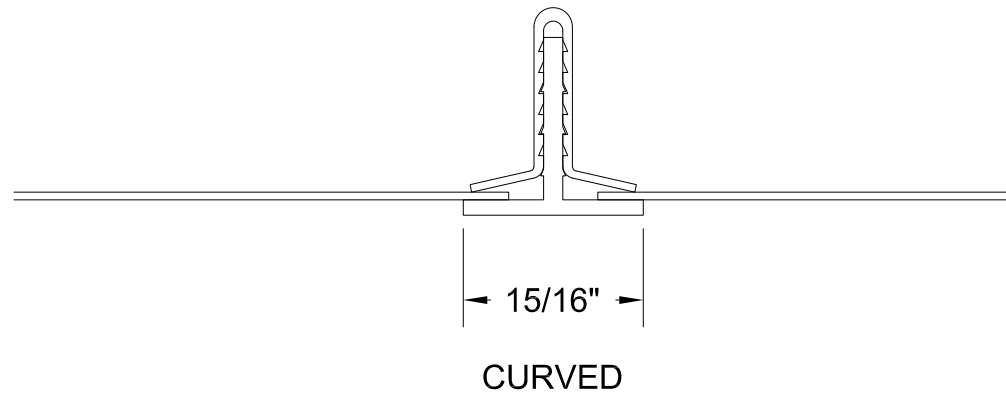
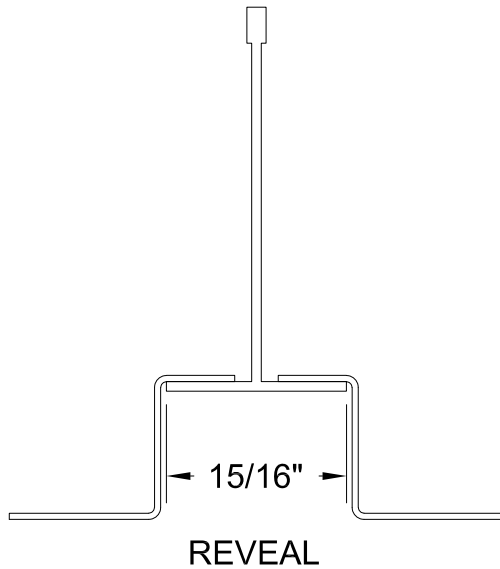
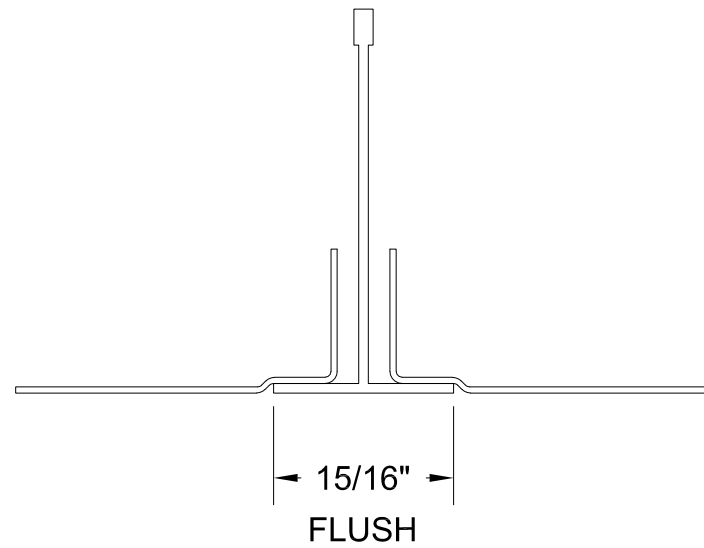
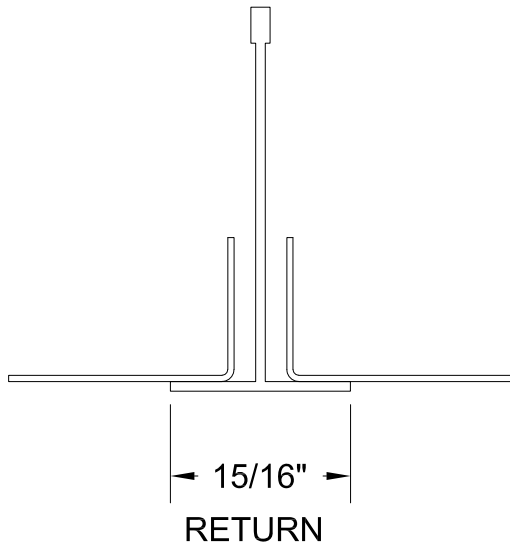


REVEAL

GORDON®
ARCHITECTURAL+ENGINEERED SOLUTIONS

5023 Hazel Jones Rd.
Bossier City, LA 71111
800.747.8954
GORDON-INC.COM
sales@gordon-inc.com

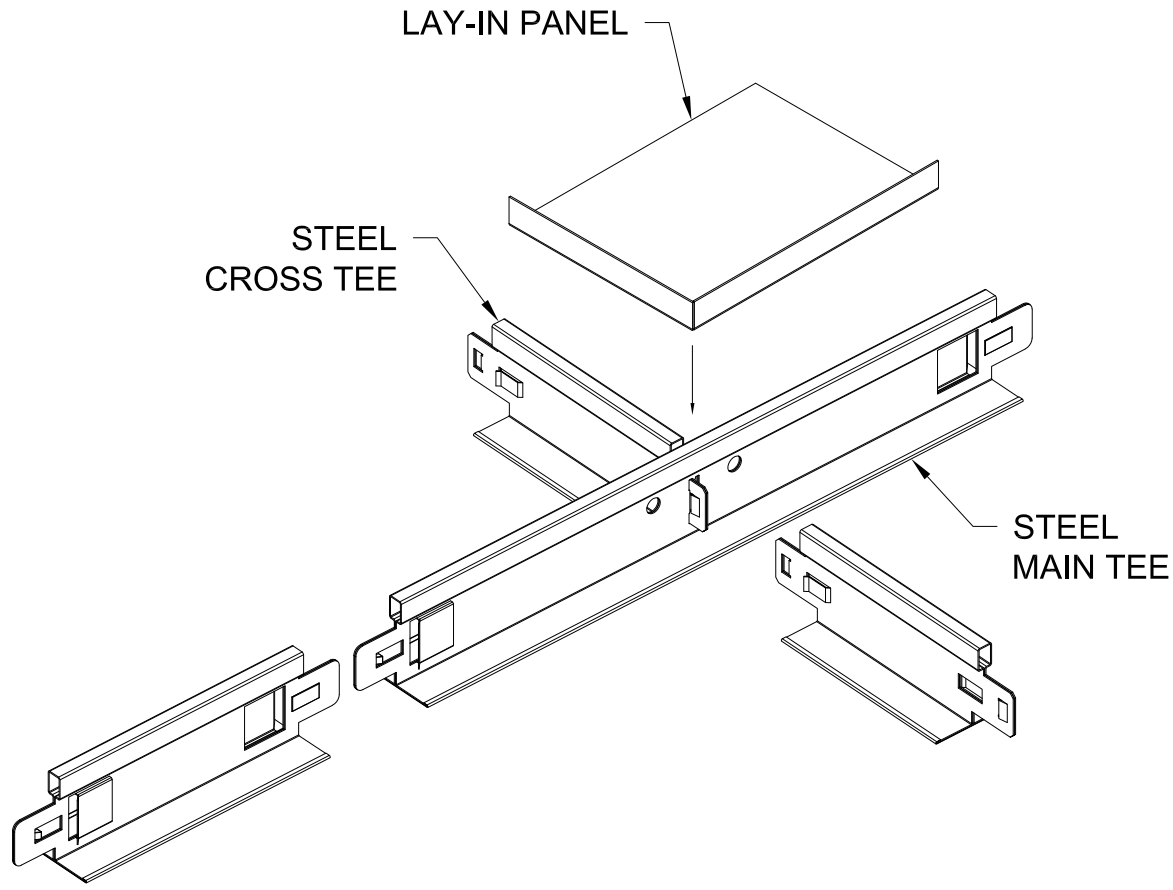
CEILING
PLANKS & TILES - LAY-IN
CEILING TYPES - STEEL SUSPENSION



GORDON
ARCHITECTURAL+ENGINEERED SOLUTIONS

5023 Hazel Jones Rd.
Bossier City, LA 71111
800.747.8954
GORDON-INC.COM
sales@gordon-inc.com

CEILING
PLANKS & TILES - LAY-IN
CEILING TYPES - ALUMINUM SUSPENSION



GORDON®
ARCHITECTURAL+ENGINEERED SOLUTIONS

5023 Hazel Jones Rd.
Bossier City, LA 71111
800.747.8954
GORDON-INC.COM
sales@gordon-inc.com

CEILINGS
PLANKS & TILES - LAY-IN
STEEL SUSPENSION - ISOMETRIC

(BEND TABS OUTWARD
AT SQUARE HOLES TYP.)

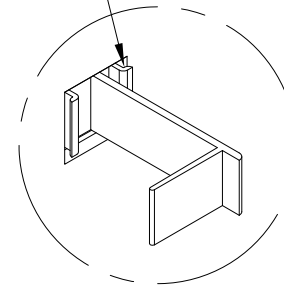
LAY-IN PANEL

ALUMINUM
CROSS TEE

CROSS TEE CLIP
(BEND TABS TOWARDS
SQUARE HOLE TYP.)

ALUMINUM
MAIN TEE

MAIN TEE SPLICE
(BEND TABS TOWARDS
BUTT JOINT TYP.)



15/16"

15/16"

AV-1

2"

15/16"

15/16"

MT-7

1-1/16"

15/16"

AV-2

1-1/16"

1/2"

1"

AV-2R

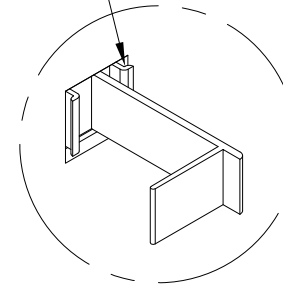
ALUMINUM TEE OPTIONS

GORDON
ARCHITECTURAL+ENGINEERED SOLUTIONS

© 5023 Hazel Jones Rd.
Bossier City, LA 71111
800.747.8954
GORDON-INC.COM
sales@gordon-inc.com

CEILING
PLANKS & TILES - LAY-IN
ALUMINUM SUSPENSION - ISOMETRIC

(BEND TABS OUTWARD AT SQUARE HOLES TYP.)



PANEL HOLD DOWN CLIP (AS REQUIRED)

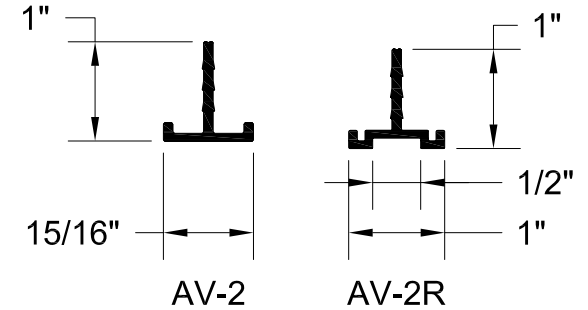
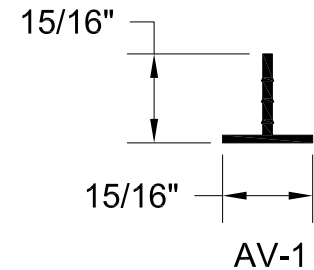
ALUMINUM CROSS TEE

CURVED ALUMINUM MAIN TEE

CROSS TEE CLIP (BEND TABS TOWARDS SQUARE HOLE TYP.)

MAIN TEE SPLICE (BEND TABS TOWARDS BUTT JOINT TYP.)

LAY-IN PANEL TO FOLLOW CURVED MAIN TEE

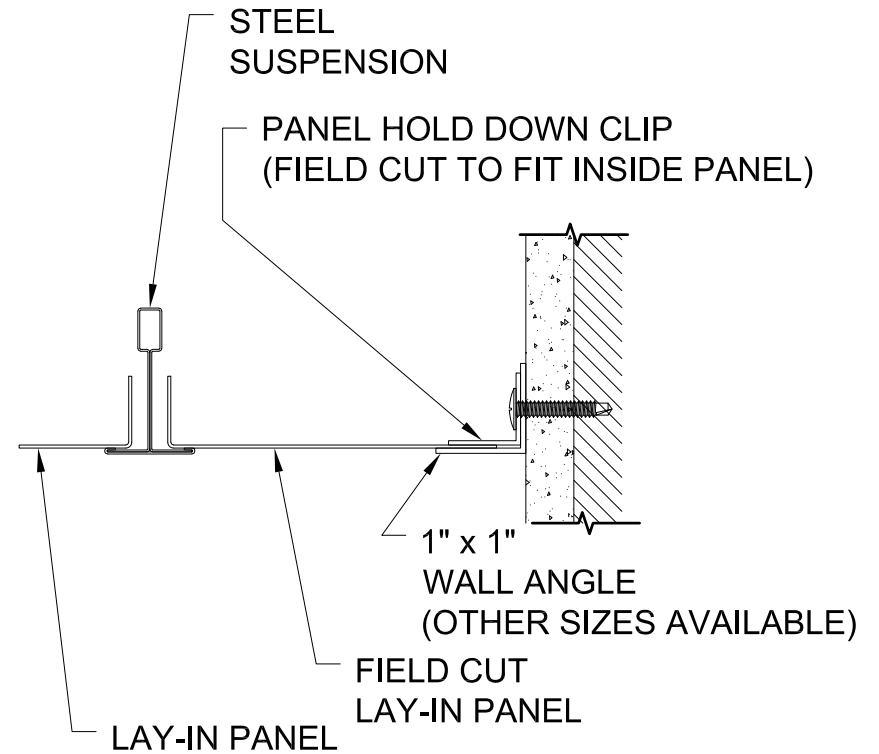
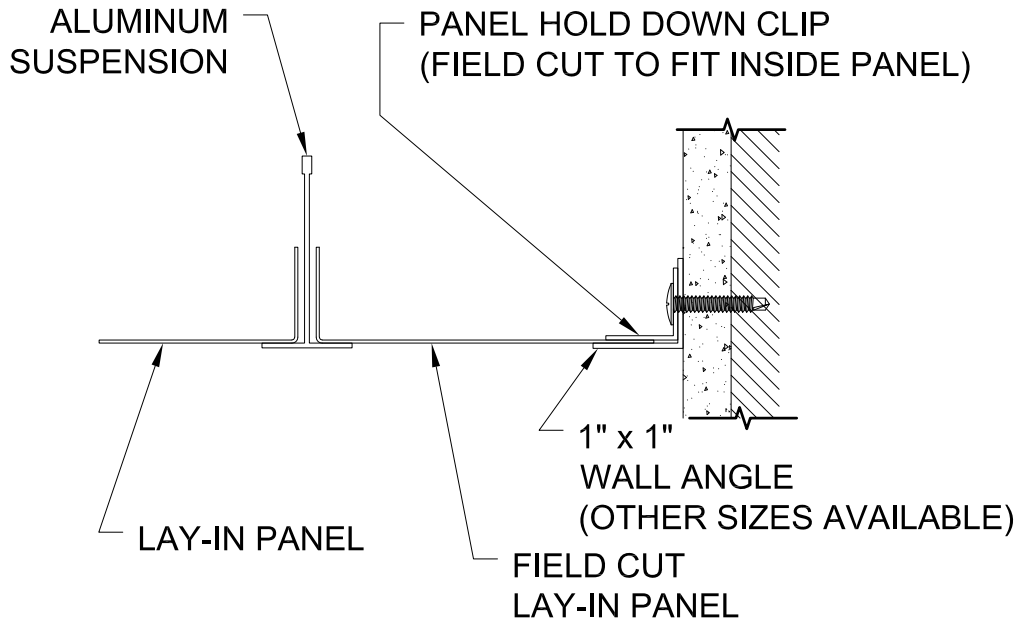


ALUMINUM TEE OPTIONS

GORDON
ARCHITECTURAL+ENGINEERED SOLUTIONS

5023 Hazel Jones Rd.
Bossier City, LA 71111
800.747.8954
GORDON-INC.COM
sales@gordon-inc.com

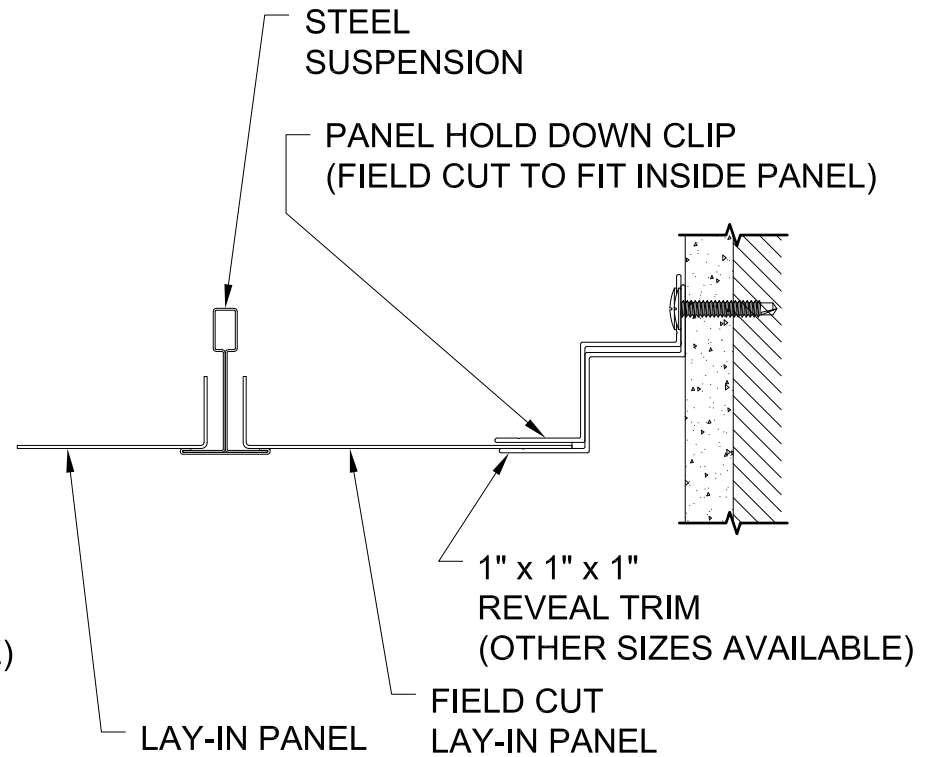
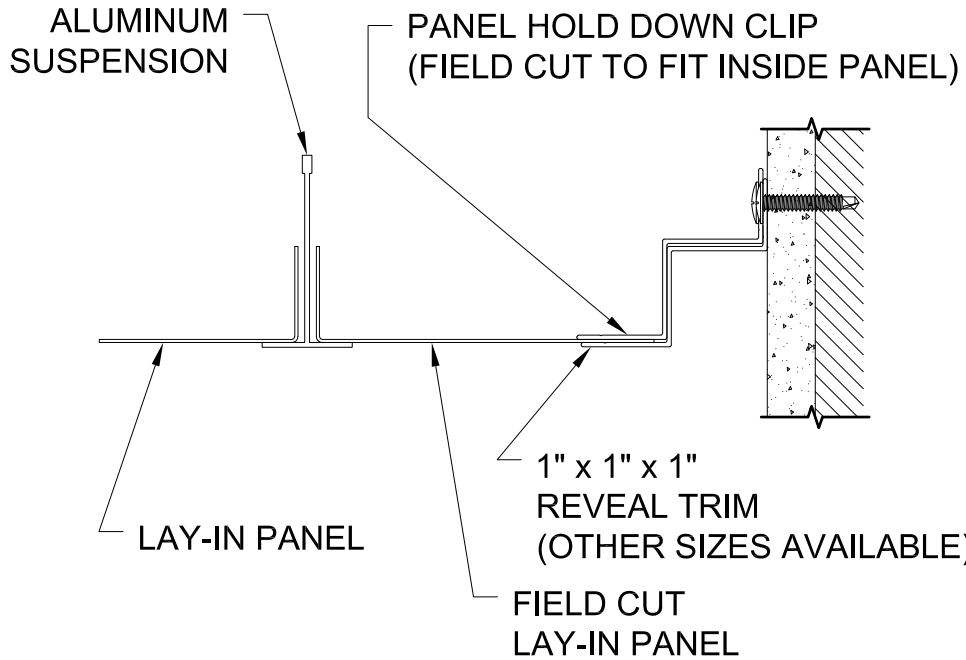
CEILING
PLANKS & TILES - LAY-IN
CURVED SUSPENSION - ISOMETRIC



GORDON
ARCHITECTURAL+ENGINEERED SOLUTIONS

© 5023 Hazel Jones Rd.
Bossier City, LA 71111
800.747.8954
GORDON-INC.COM
sales@gordon-inc.com

CEILING
PLANKS & TILES - LAY-IN
PERIMETER SECTION



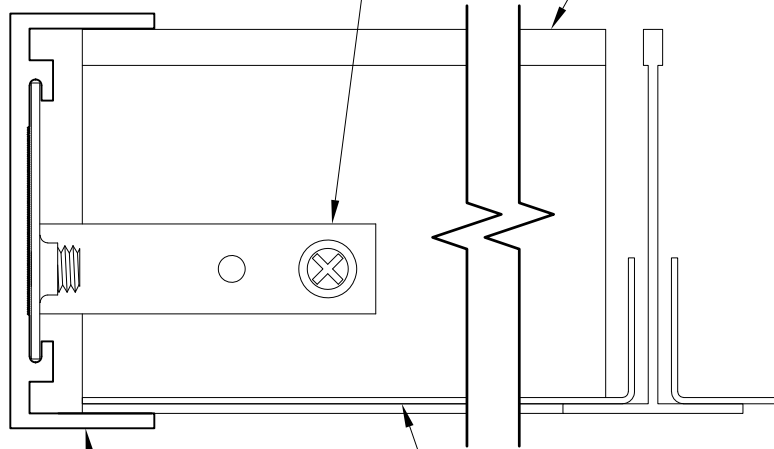
GORDON
ARCHITECTURAL+ENGINEERED SOLUTIONS

© 5023 Hazel Jones Rd.
Bossier City, LA 71111
800.747.8954
GORDON-INC.COM
sales@gordon-inc.com

CEILING
PLANKS & TILES - LAY-IN
REVEAL PERIMETER SECTION

PANEL HOLD DOWN CLIP
(WITH FIELD FASTENER)

ALUMINUM
CROSS TEE

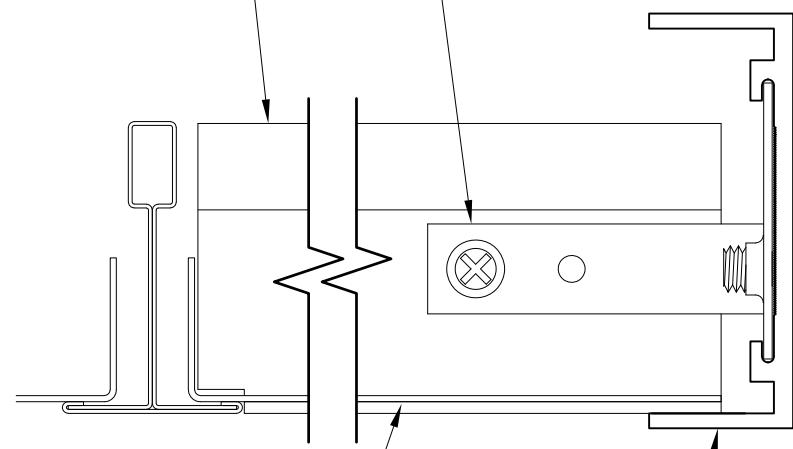


FIELD CUT
LAY-IN PANEL

FLOATING PERIMETER

STEEL
CROSS TEE

PANEL HOLD DOWN CLIP
(WITH FIELD FASTENER)



FIELD CUT
LAY-IN PANEL

FLOATING PERIMETER

GORDON®
ARCHITECTURAL+ENGINEERED SOLUTIONS

5023 Hazel Jones Rd.
Bossier City, LA 71111
800.747.8954
GORDON-INC.COM
sales@gordon-inc.com

CEILING
PLANKS & TILES - LAY-IN
FLOATING PERIMETER SECTION