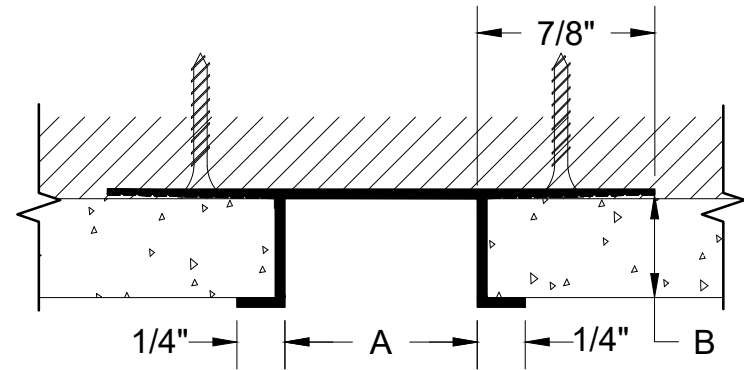


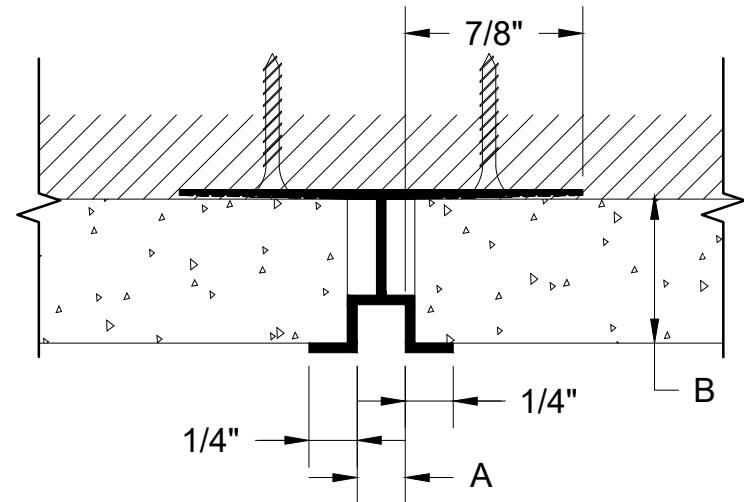
DRYWALL		
PART #	"A"	"B"
RD-1212	1/2"	1/2"
RD-1234	3/4"	1/2"
RD-1210	1"	1/2"
RD-1215	1-1/2"	1/2"
RD-1220	2"	1/2"
RD-1230	3"	1/2"
RD-1238	1/2"	3/8"
RD-1240	4"	1/2"
RD-5812	1/2"	5/8"
RD-5834	3/4"	5/8"
RD-5810	1"	5/8"
RD-5815	1-1/2"	5/8"
RD-5820	2"	5/8"
RD-5830	3"	5/8"
RD-5840	4"	5/8"

PLASTER		
PART #	"A"	"B"
RH-1434	3/4"	1/4"
RH-1430	3"	1/4"
** RP-3414	1/4"	3/4"
RP-3412	1/2"	3/4"
RP-3434	3/4"	3/4"
RP-3410	1"	3/4"
RP-3415	1-1/2"	3/4"
RP-3420	2"	3/4"
RP-3425	2-1/2"	3/4"
RP-3430	3"	3/4"
RP-3440	4"	3/4"
RP-3460	6"	3/4"
RS-1010	1"	1"
RS-1030	3"	1-1/16"
RS-12520	2"	1-1/4"

*CAN NOT BE VENTED
 **APPEARANCE OF PART IS
 DIFFERENT THAN OTHER PROFILES



R SERIES PROFILE TYPICAL
 VENTED PARTS AVAILABLE



RP-3414
 NON-VENTED PART