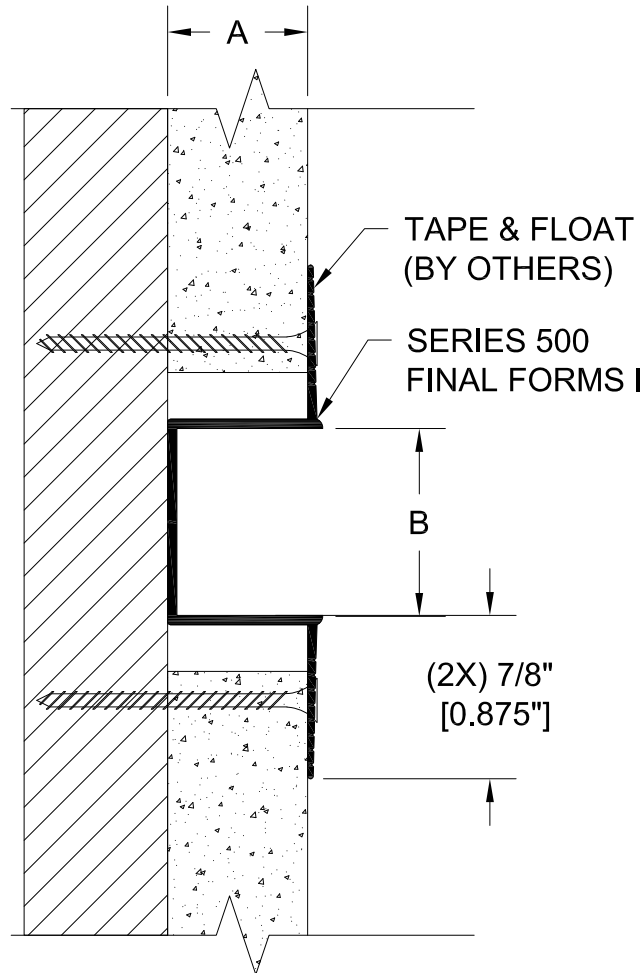


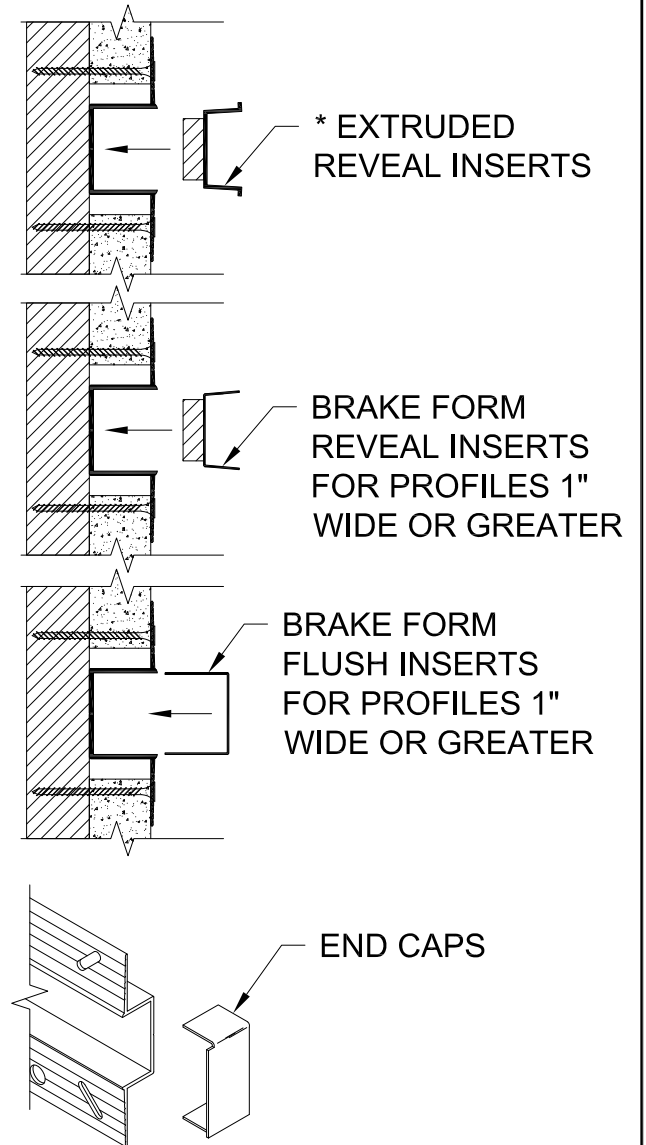
SERIES 500

PART #	"A"	"B"
518-1/2	7/16"	1/8"
514-1/2	7/16"	1/4"
538-1/2	7/16"	3/8"
512-1/2*	7/16"	1/2"
558-1/2	7/16"	5/8"
534-1/2*	7/16"	3/4"
510-1/2	7/16"	1"
515-1/2	7/16"	1-1/2"
520-1/2	7/16"	2"
530-1/2	7/16"	3"
540-1/2	7/16"	4"
514-5/8	5/8"	1/4"
538-5/8	5/8"	3/8"
512-5/8*	5/8"	1/2"
558-5/8	5/8"	5/8"
534-5/8*	5/8"	3/4"
510-5/8	5/8"	1"
515-5/8	5/8"	1-1/2"
520-5/8	5/8"	2"
525-5/8	5/8"	2-1/2"
530-5/8	5/8"	3"
540-5/8	5/8"	4"
534-100	1"	3/4"
5125-100	1"	1-1/4"
520-100	1"	2"
515-125	1-1/4"	1-1/2"
520-125	1-1/4"	2"
520-200	2"	2"

* EXTRUDED REVEAL INSERTS AVAILABLE



ACCESSORIES



GORDON[®]
ARCHITECTURAL+ENGINEERED SOLUTIONS

5023 Hazel Jones Rd.
Bossier City, LA 71111
800.747.8954
GORDON-INC.COM
sales@gordon-inc.com

TRIMS & ESSENTIALS
DRYWALL - FINAL FORMS I
SERIES 500