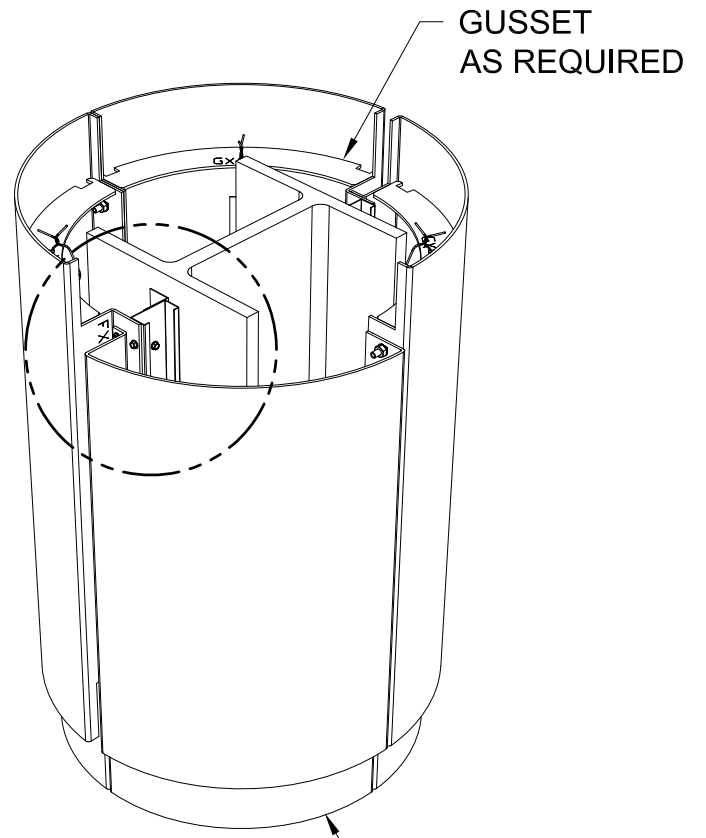
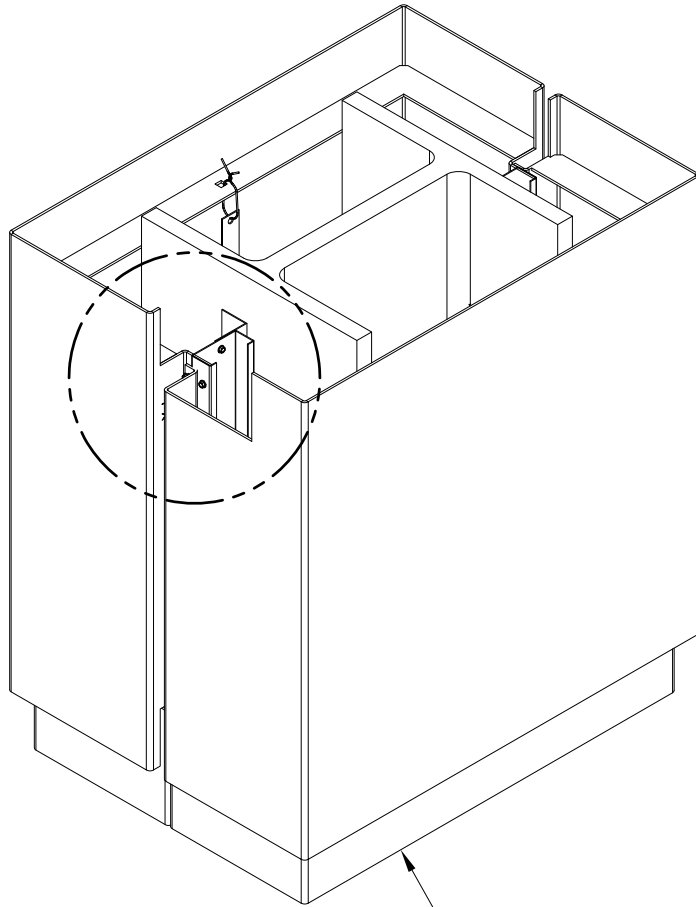
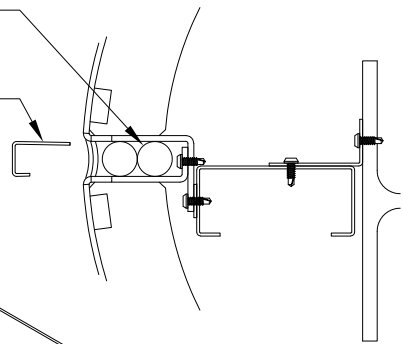


HALVES  
DESIGN

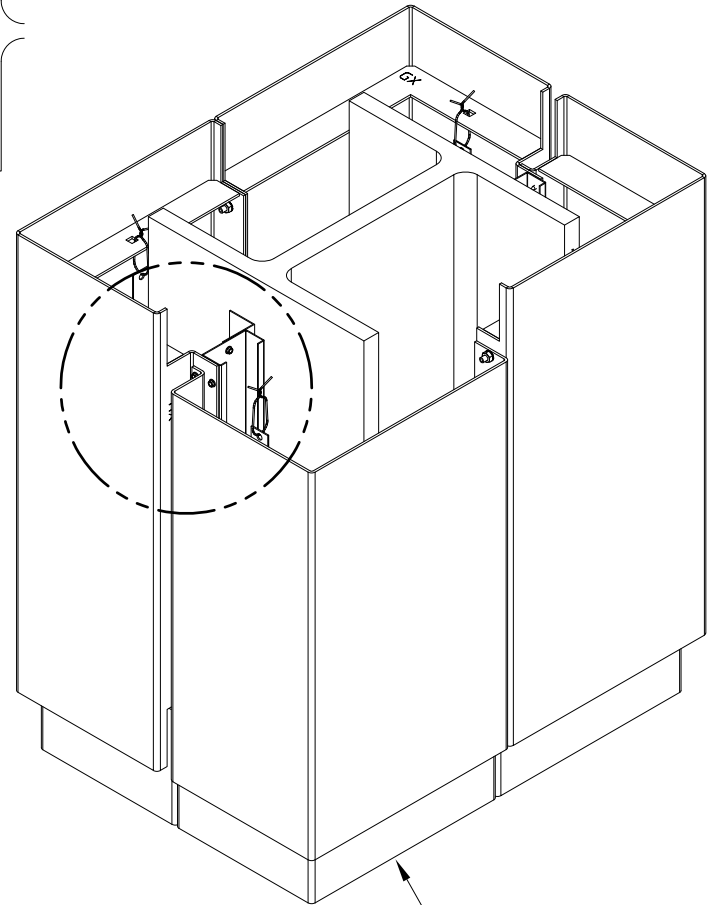


QUADRANTS  
DESIGN

BACKER RODS & CAULK  
(BY OTHERS)  
OPTIONAL REVEAL TRIM INSERT  
(THIS OPTION CAN BE FLUSH OR INSET)



HALVES  
DESIGN



QUADRANTS  
DESIGN

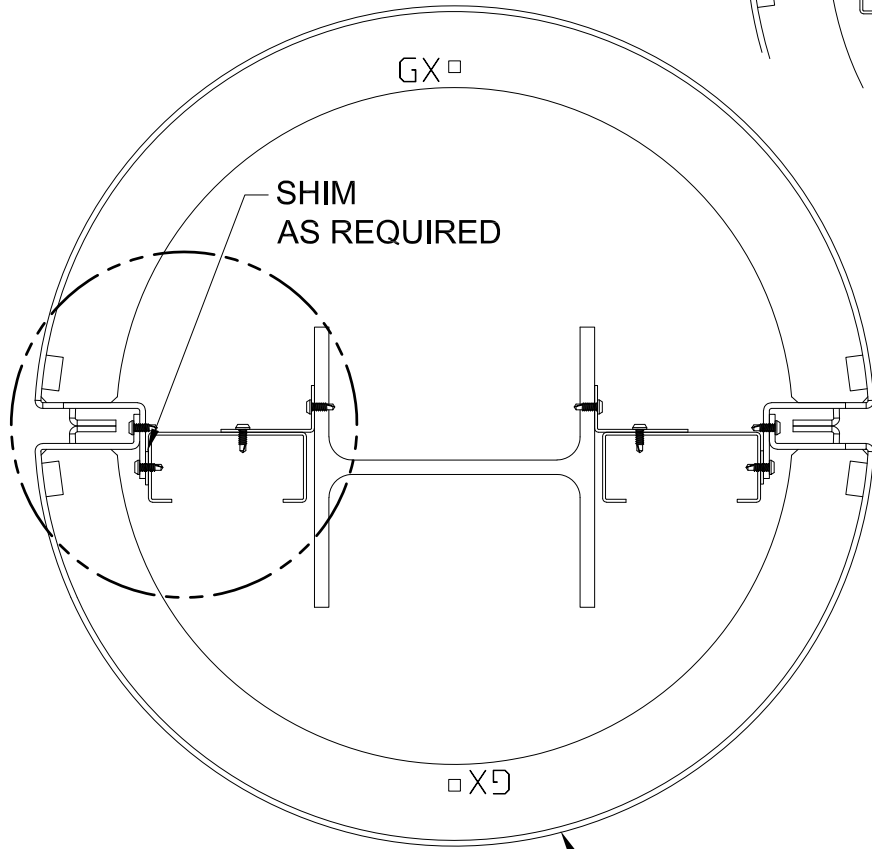
**GORDON**®  
ARCHITECTURAL+ENGINEERED SOLUTIONS

5023 Hazel Jones Rd.  
Bossier City, LA 71111  
800.747.8954  
GORDON-INC.COM  
sales@gordon-inc.com

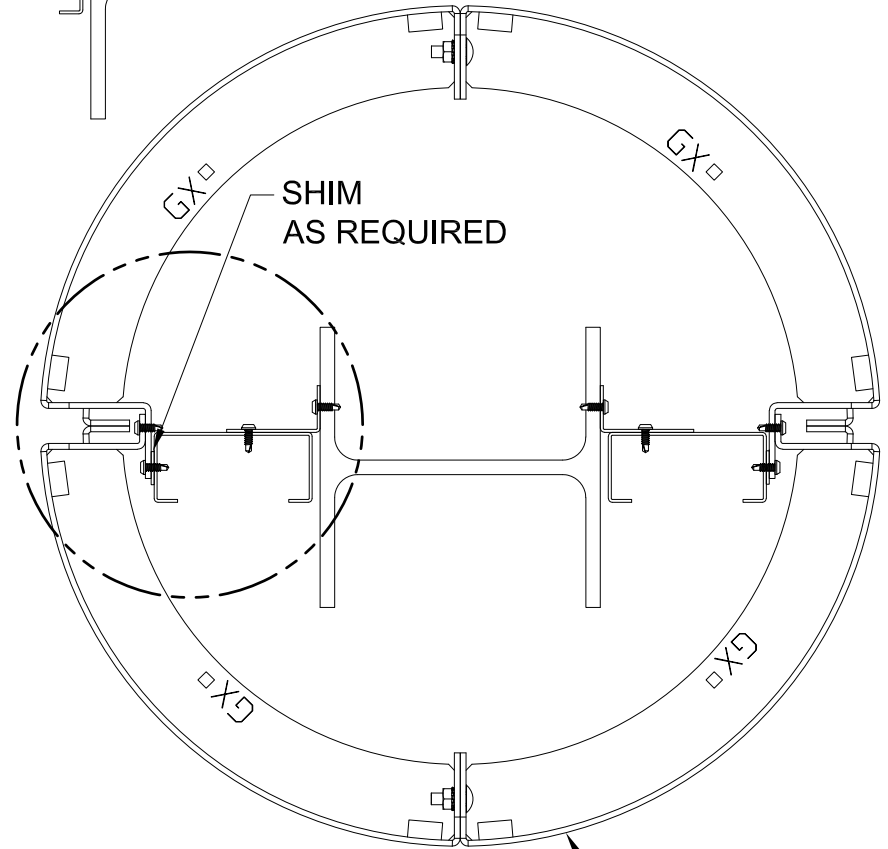
COLUMN COVERS  
REVEAL-JOINT  
RECTANGLE COLUMN ISOMETRIC

BACKER RODS & CAULK  
(BY OTHERS)

OPTIONAL REVEAL TRIM INSERT  
(THIS OPTION CAN BE FLUSH OR INSET)



HALVES  
DESIGN

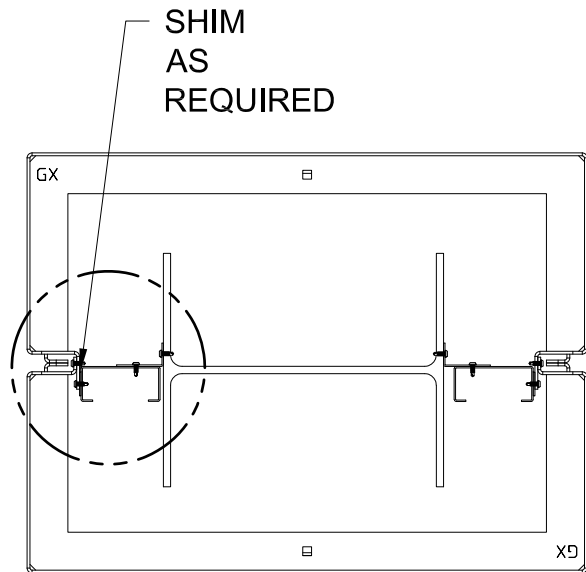
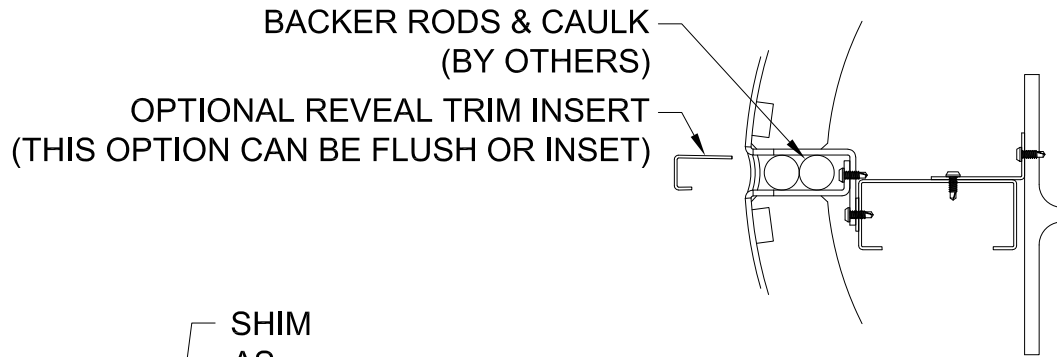


QUADRANTS  
DESIGN

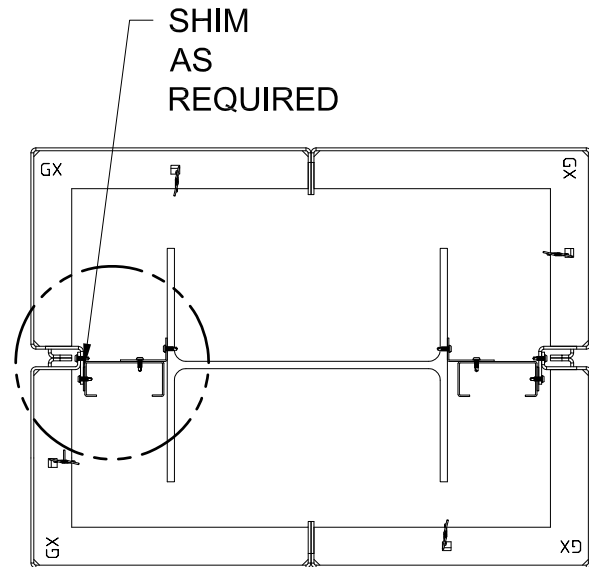
**GORDON**®  
ARCHITECTURAL+ENGINEERED SOLUTIONS

5023 Hazel Jones Rd.  
Bossier City, LA 71111  
800.747.8954  
GORDON-INC.COM  
sales@gordon-inc.com

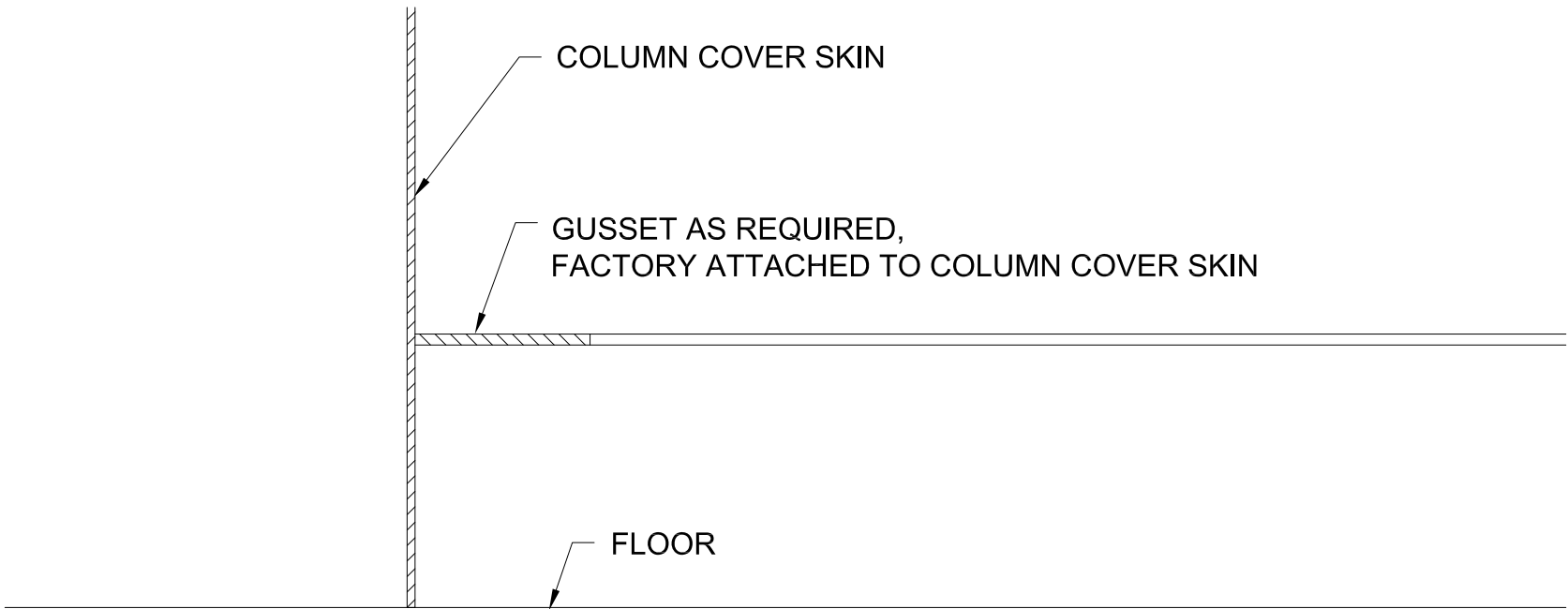
COLUMN COVERS  
REVEAL-JOINT  
ROUND COLUMN CROSS SECTION

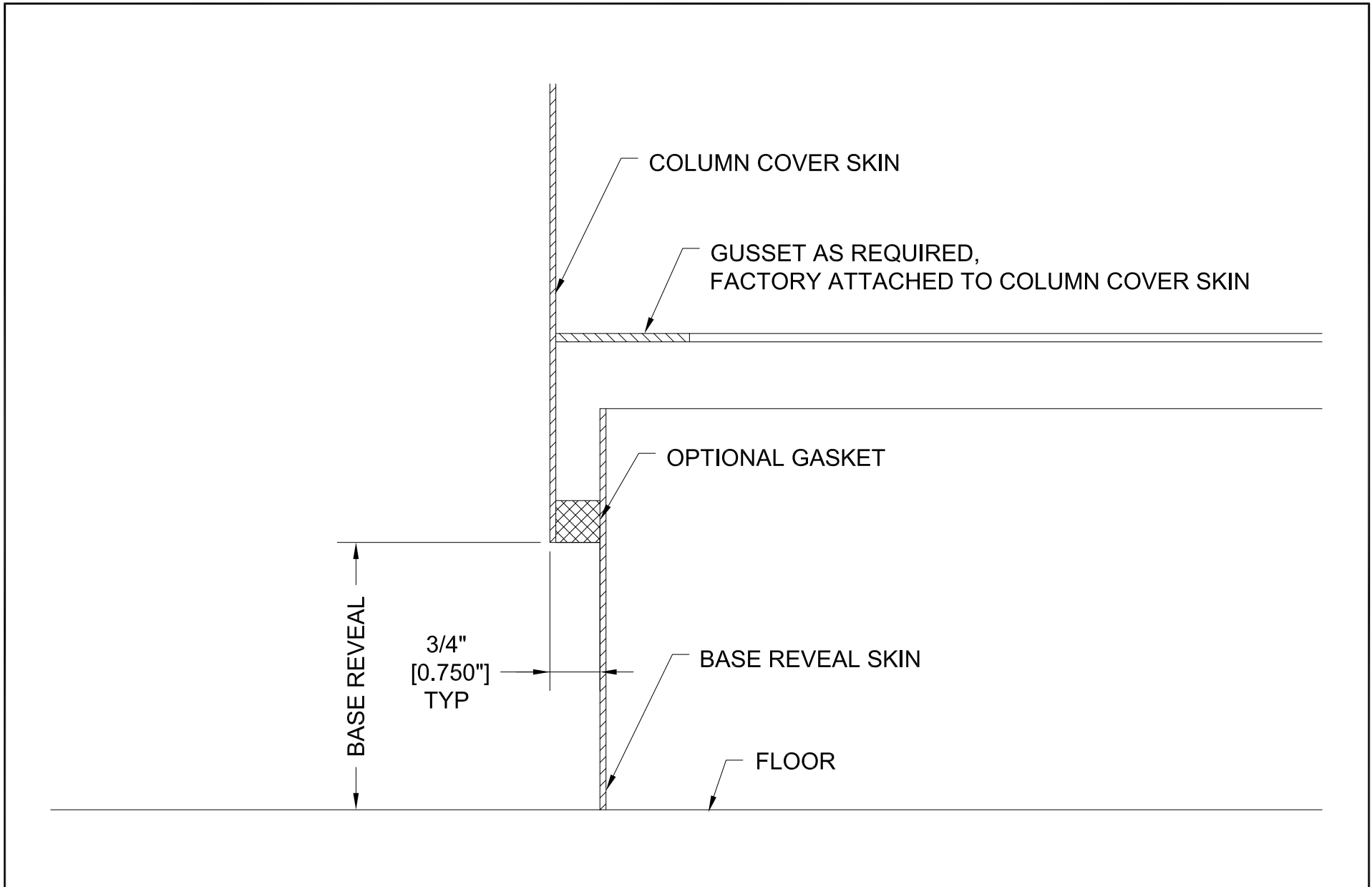


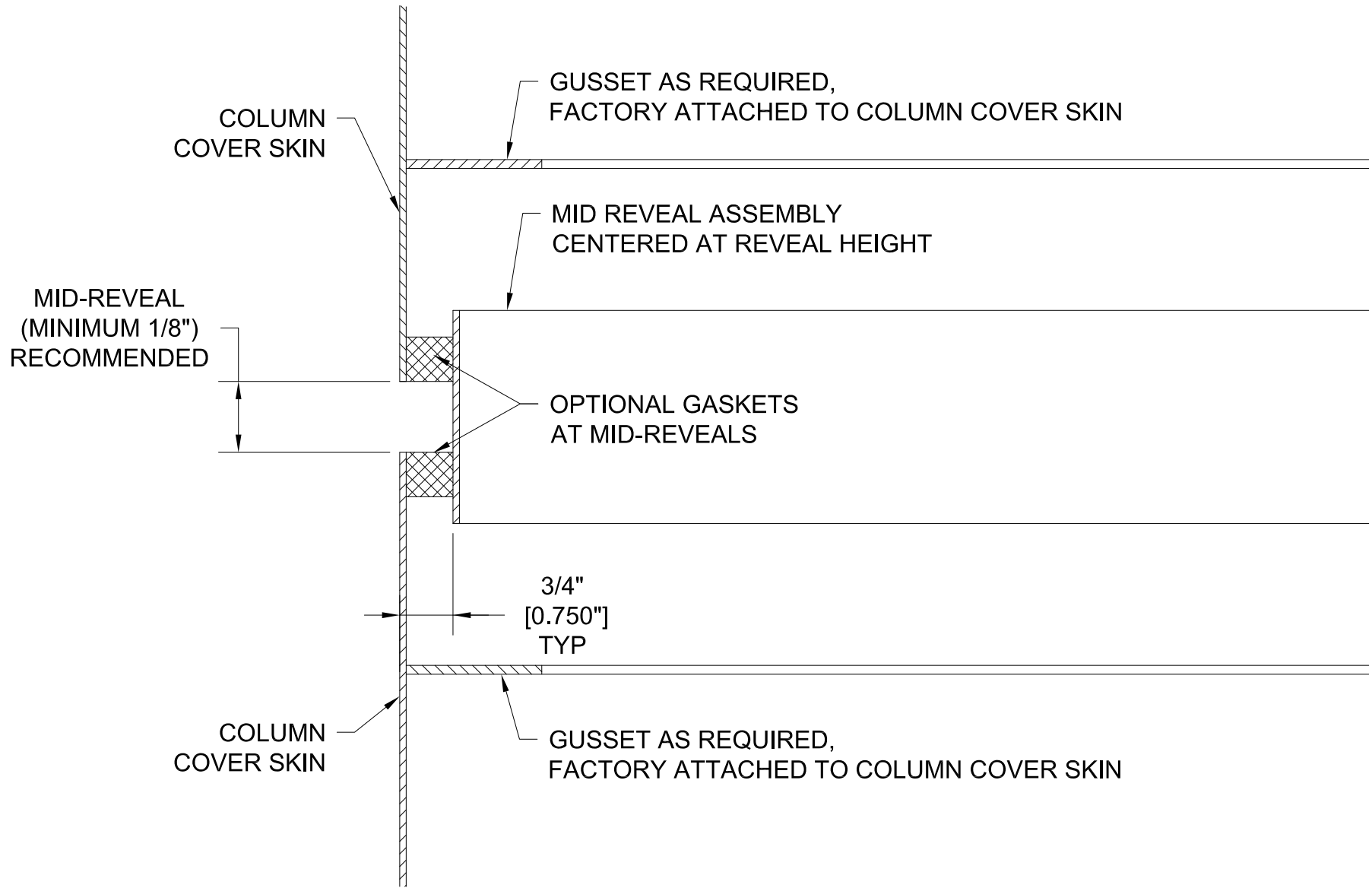
HALVES  
DESIGN



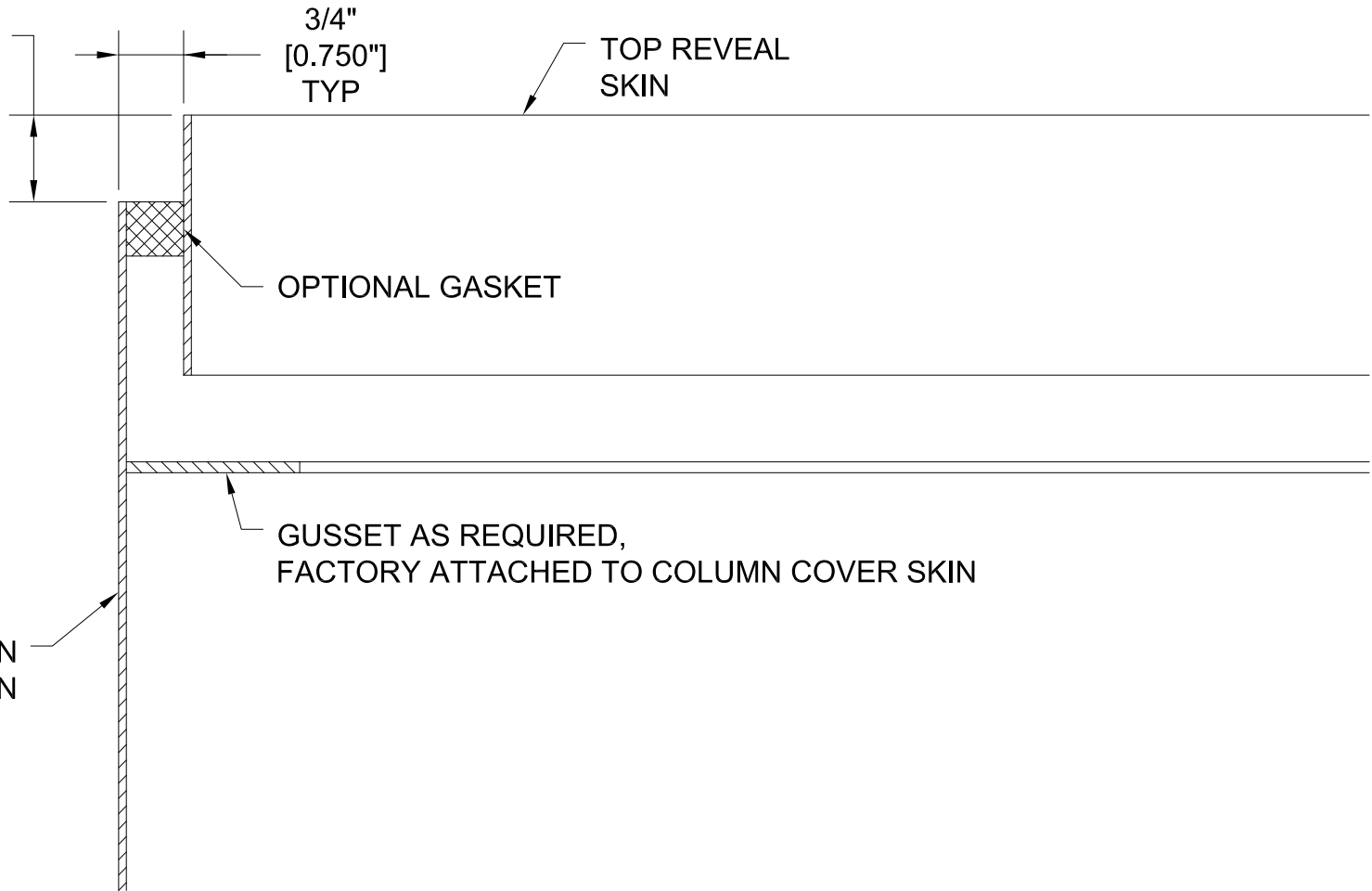
QUADRANTS  
DESIGN







TOP REVEAL  
(MINIMUM 1/8")  
RECOMMENDED



3/4"  
[0.750"]  
TYP

TOP REVEAL  
SKIN

OPTIONAL GASKET

GUSSET AS REQUIRED,  
FACTORY ATTACHED TO COLUMN COVER SKIN

COLUMN  
COVER SKIN

**GORDON**®  
ARCHITECTURAL+ENGINEERED SOLUTIONS

5023 Hazel Jones Rd.  
Bossier City, LA 71111  
800.747.8954  
GORDON-INC.COM  
sales@gordon-inc.com

COLUMN COVERS  
REVEAL-JOINT  
TOP REVEAL SECTION