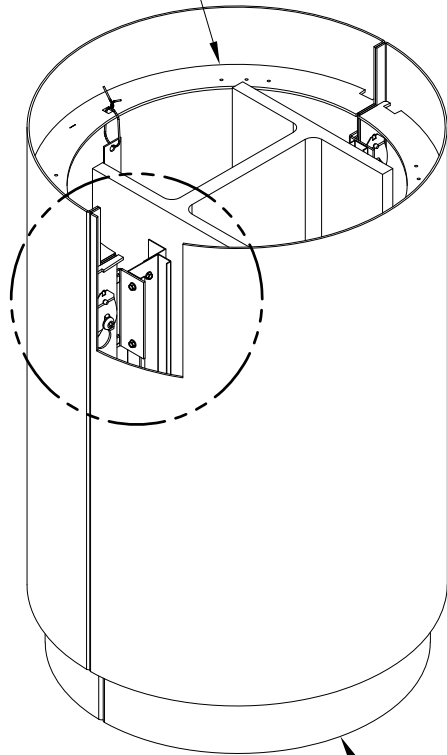
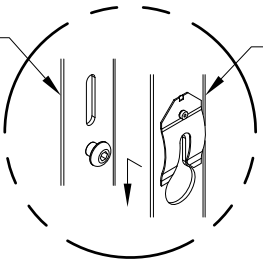


GUSSET
AS REQUIRED



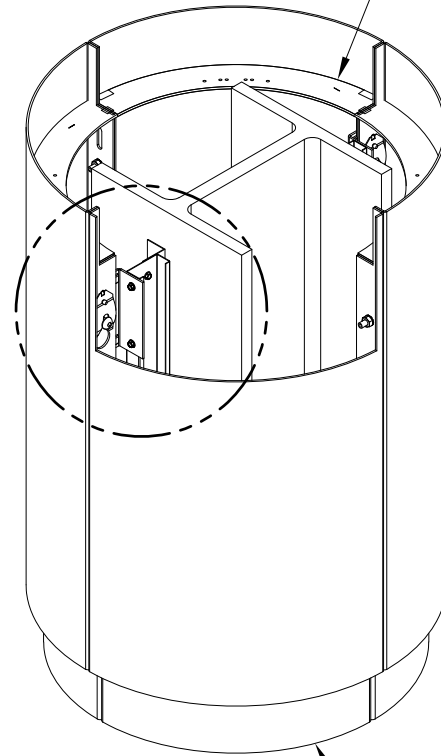
HALVES
DESIGN

MALE
COLUMN
SKIN



FEMALE
COLUMN
SKIN

GUSSET
AS REQUIRED

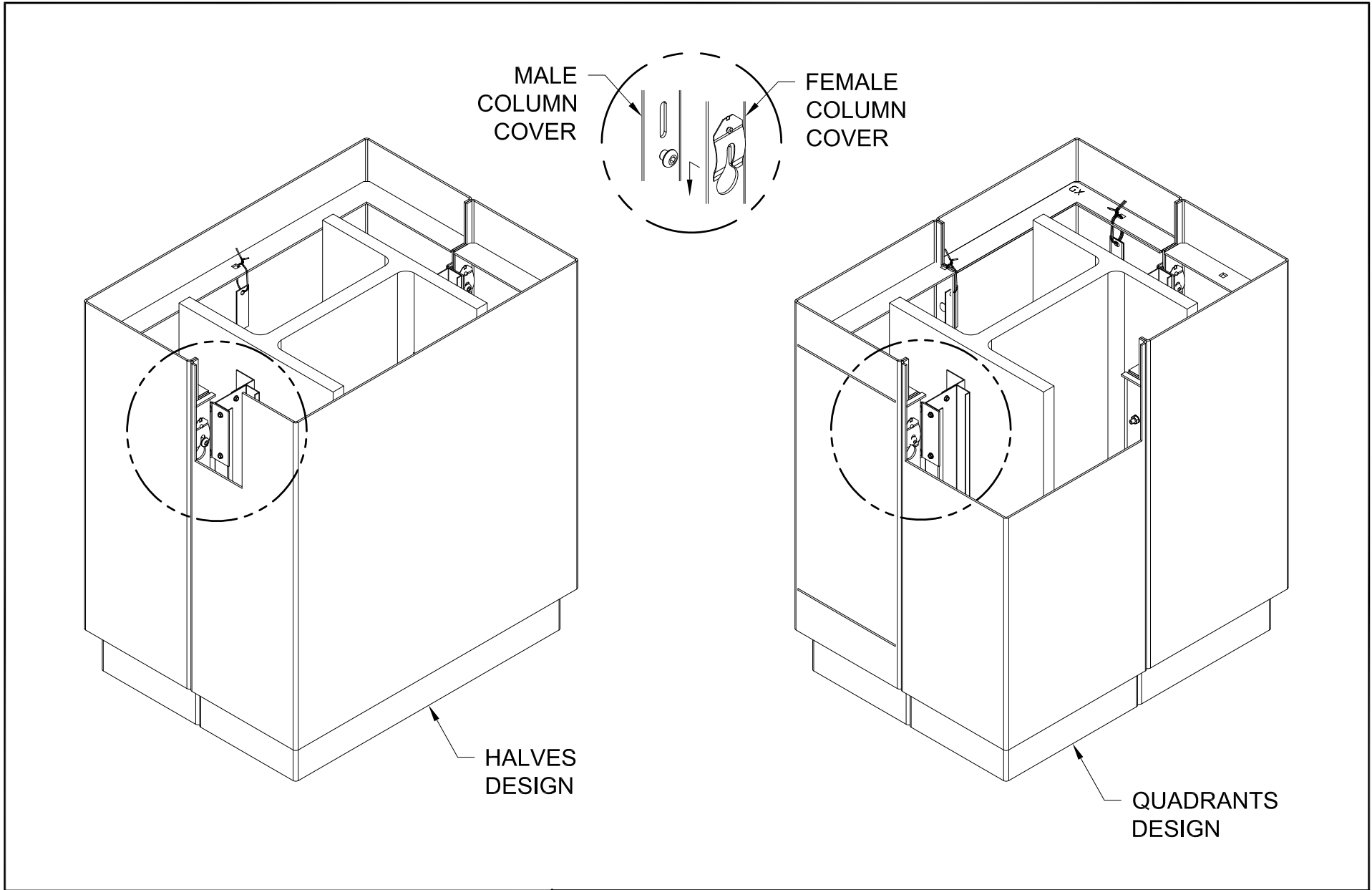


QUADRANTS
DESIGN

GORDON®
ARCHITECTURAL+ENGINEERED SOLUTIONS

5023 Hazel Jones Rd.
Bossier City, LA 71111
800.747.8954
GORDON-INC.COM
sales@gordon-inc.com

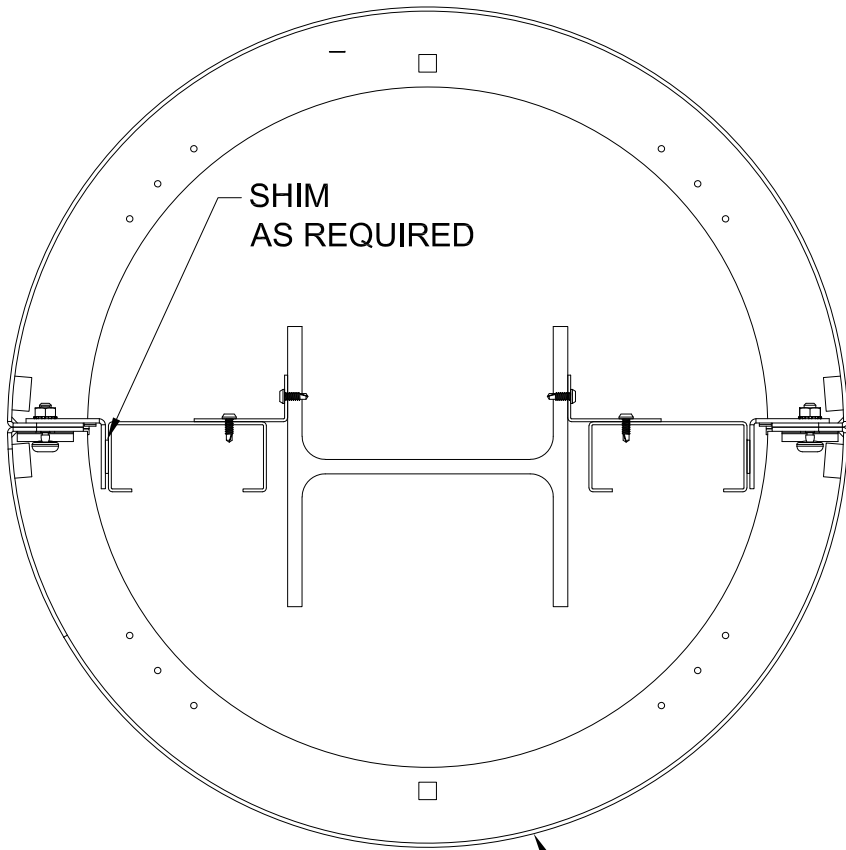
COLUMN COVERS BUTT-JOINT ROUND COLUMN ISOMETRIC



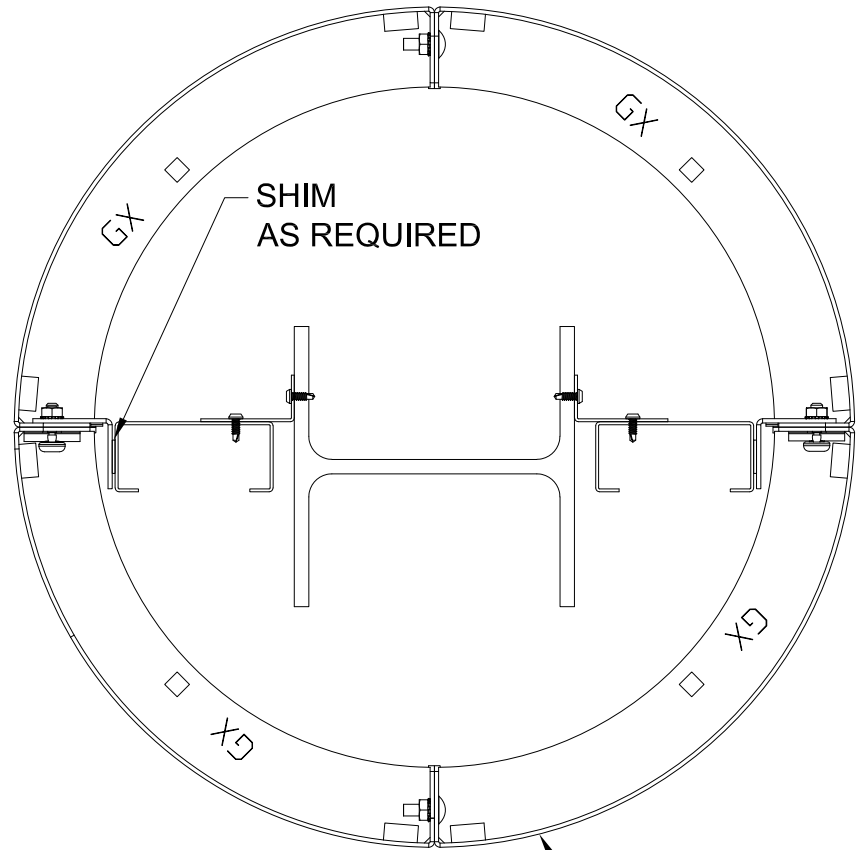
GORDON®
ARCHITECTURAL+ENGINEERED SOLUTIONS

5023 Hazel Jones Rd.
Bossier City, LA 71111
800.747.8954
GORDON-INC.COM
sales@gordon-inc.com

COLUMN COVERS
BUTT-JOINT
RECTANGLE COLUMN ISOMETRIC



HALVES
DESIGN

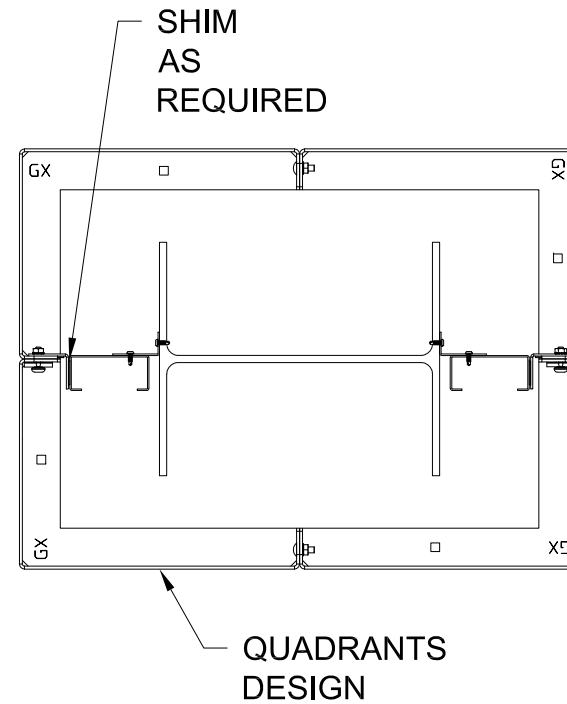
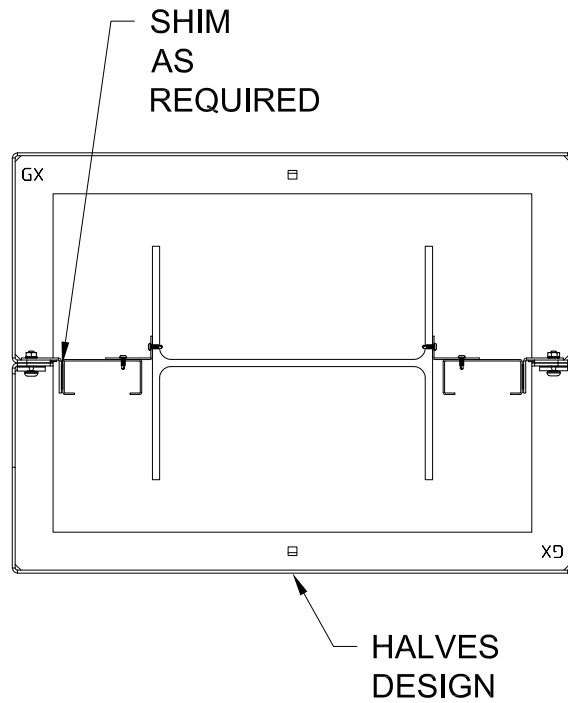


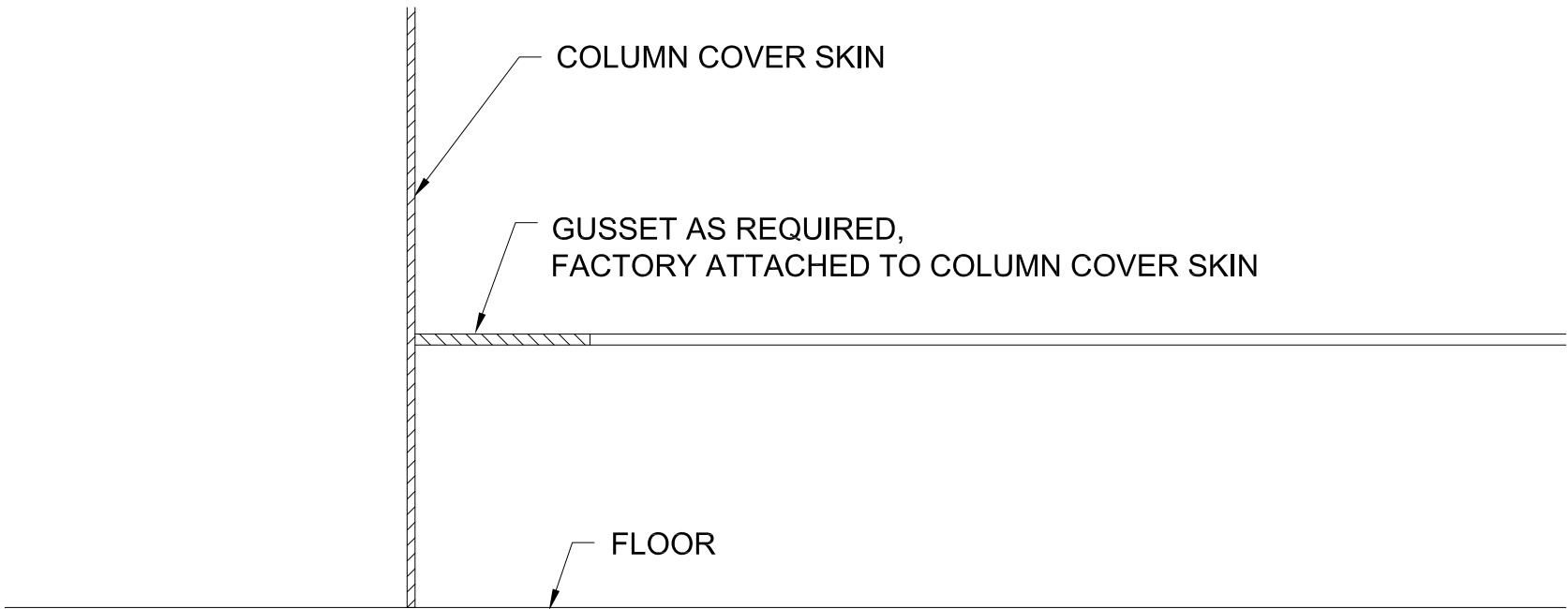
QUADRANTS
DESIGN

GORDON®
ARCHITECTURAL+ENGINEERED SOLUTIONS

5023 Hazel Jones Rd.
Bossier City, LA 71111
800.747.8954
GORDON-INC.COM
sales@gordon-inc.com

COLUMN COVERS
BUTT-JOINT
ROUND COLUMN CROSS SECTION





GORDON[®]
ARCHITECTURAL+ENGINEERED SOLUTIONS

5023 Hazel Jones Rd.
Bossier City, LA 71111
800.747.8954
GORDON-INC.COM
sales@gordon-inc.com

COLUMN COVERS
BUTT-JOINT
BASE SECTION

