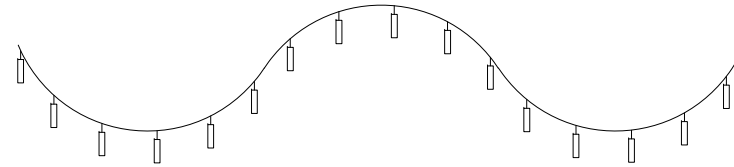
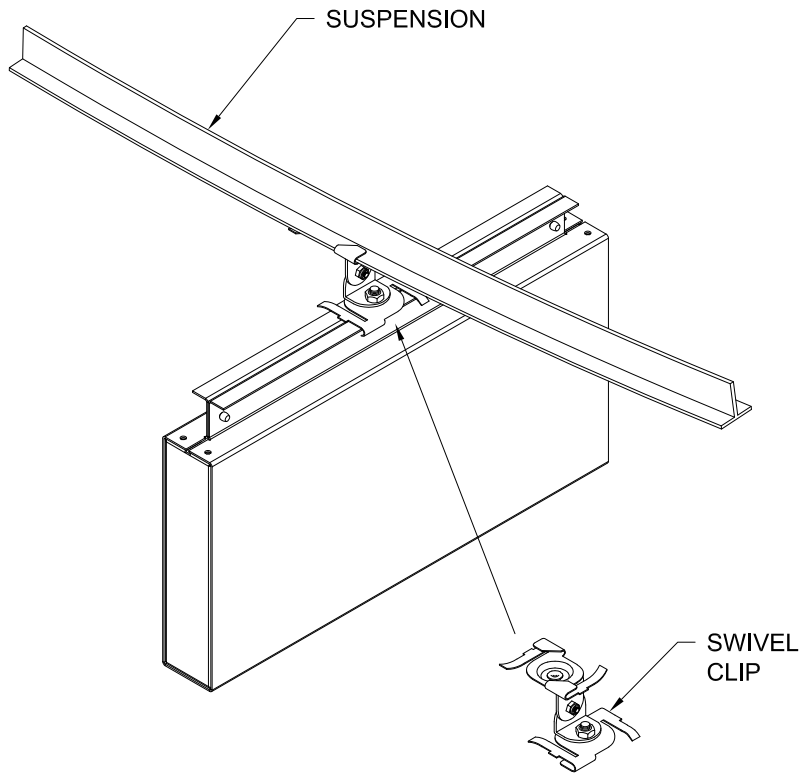
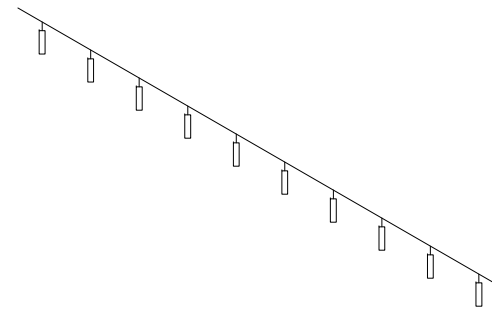


DIMENSIONS	
A	B
1"	4" - 5"
1 1/2"	4" - 20"
2"	4" - 20"
2 1/2"	4" - 20"
3"	4" - 20"
3 1/2"	4" - 20"
4"	4" - 20"



SERPENTINE CONFIGURATION



RAKE CONFIGURATION

GORDON®
ARCHITECTURAL+ENGINEERED SOLUTIONS

5023 Hazel Jones Rd.
Bossier City, LA 71111
800.747.8954
GORDON-INC.COM
sales@gordon-inc.com

CEILING BAFFLES - LINEAR BEAM - FORMED SWIVEL CLIP DETAILS

