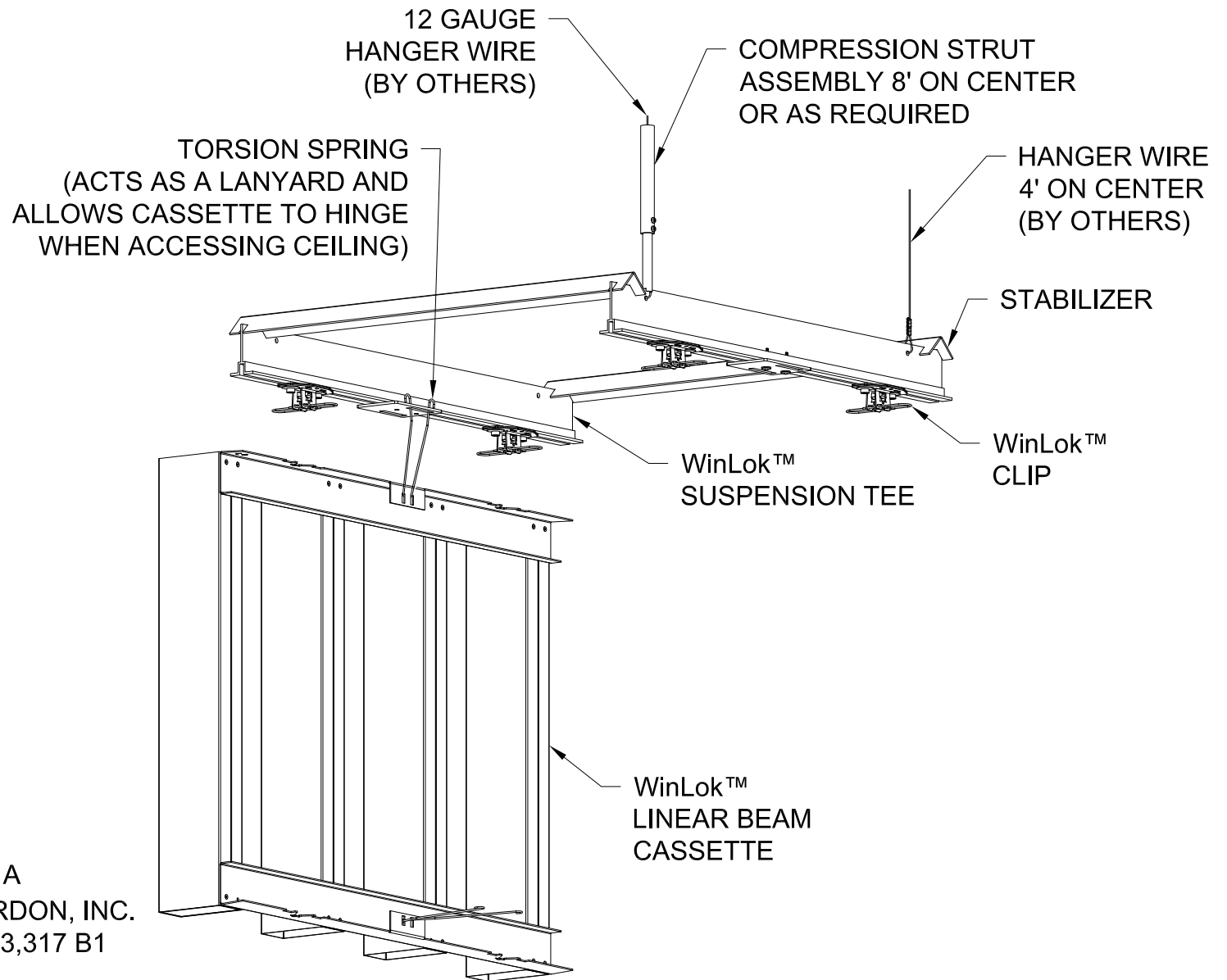


WinLok™ IS A  
 TRADEMARK OF GORDON, INC.  
 U.S. Patent #10,113,317 B1

**GORDON**®  
 ARCHITECTURAL+ENGINEERED SOLUTIONS

5023 Hazel Jones Rd.  
 Bossier City, LA 71111  
 800.747.8954  
 GORDON-INC.COM  
 sales@gordon-inc.com

CEILING  
 WINLOK BEAM BAFFLE CASSETTE  
 ISOMETRIC ASSEMBLY

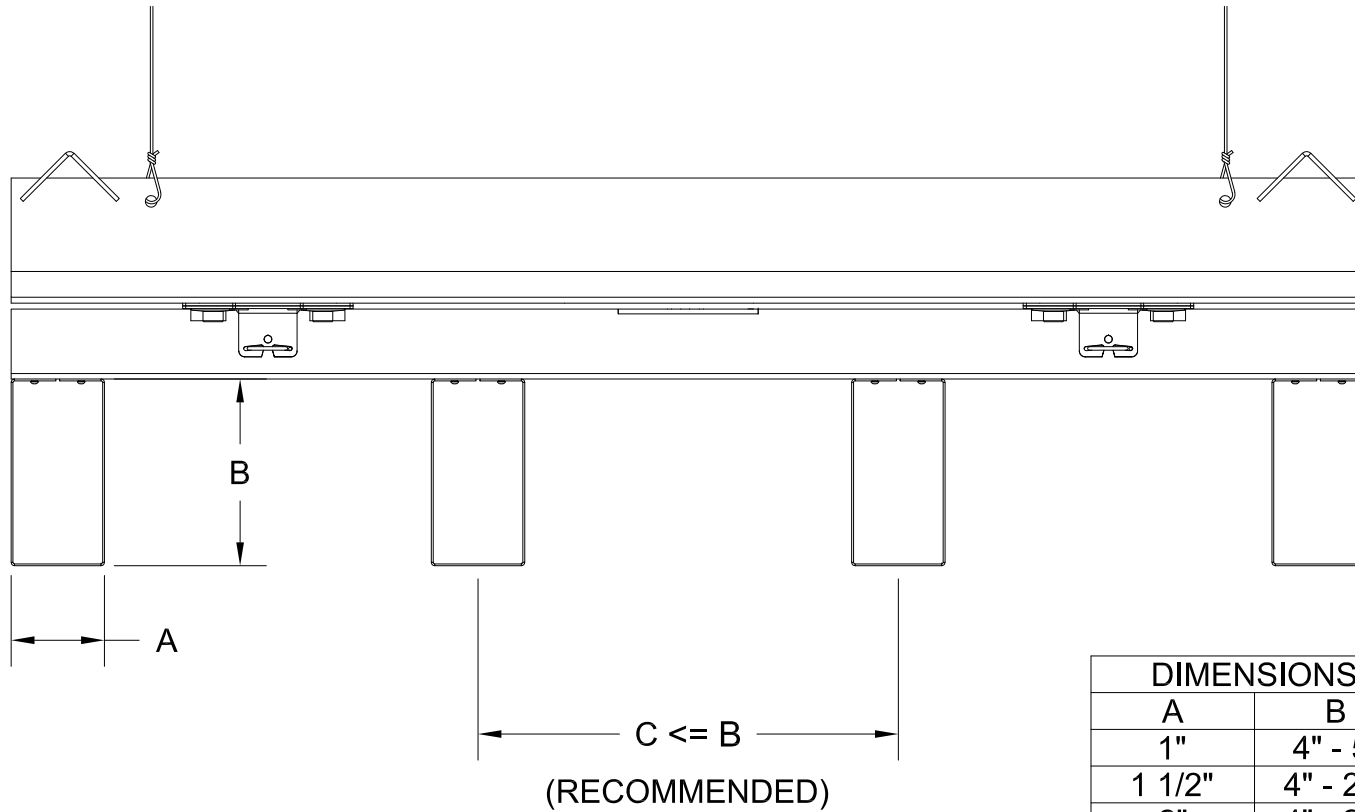


WinLok™ IS A  
 TRADEMARK OF GORDON, INC.  
 U.S. Patent #10,113,317 B1

**GORDON**®  
 ARCHITECTURAL+ENGINEERED SOLUTIONS

5023 Hazel Jones Rd.  
 Bossier City, LA 71111  
 800.747.8954  
 GORDON-INC.COM  
 sales@gordon-inc.com

**CEILING**  
**WINLOK BEAM BAFFLE CASSETTE**  
**ISOMETRIC ASSEMBLY - HINGED**



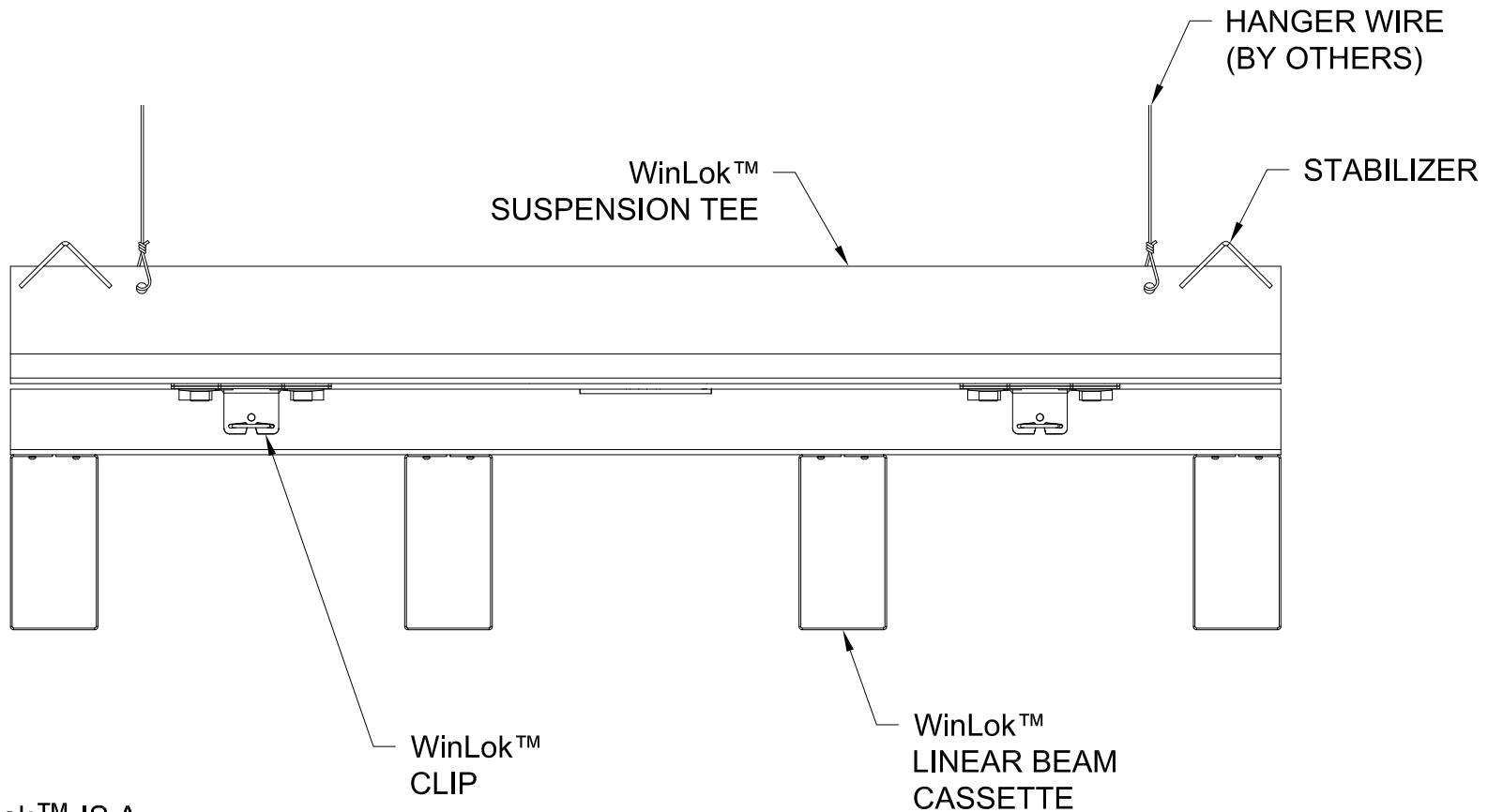
DIMENSIONS	
A	B
1"	4" - 5"
1 1/2"	4" - 20"
2"	4" - 20"
2 1/2"	4" - 20"
3"	4" - 20"
3 1/2"	4" - 20"
4"	4" - 20"

WinLok™ IS A  
 TRADEMARK OF GORDON, INC.  
 U.S. Patent #10,113,317 B1

**GORDON**®  
 ARCHITECTURAL+ENGINEERED SOLUTIONS

5023 Hazel Jones Rd.  
 Bossier City, LA 71111  
 800.747.8954  
 GORDON-INC.COM  
 sales@gordon-inc.com

## CEILING WINLOK BEAM BAFFLE CASSETTE SIZE AND SPACING DETAIL

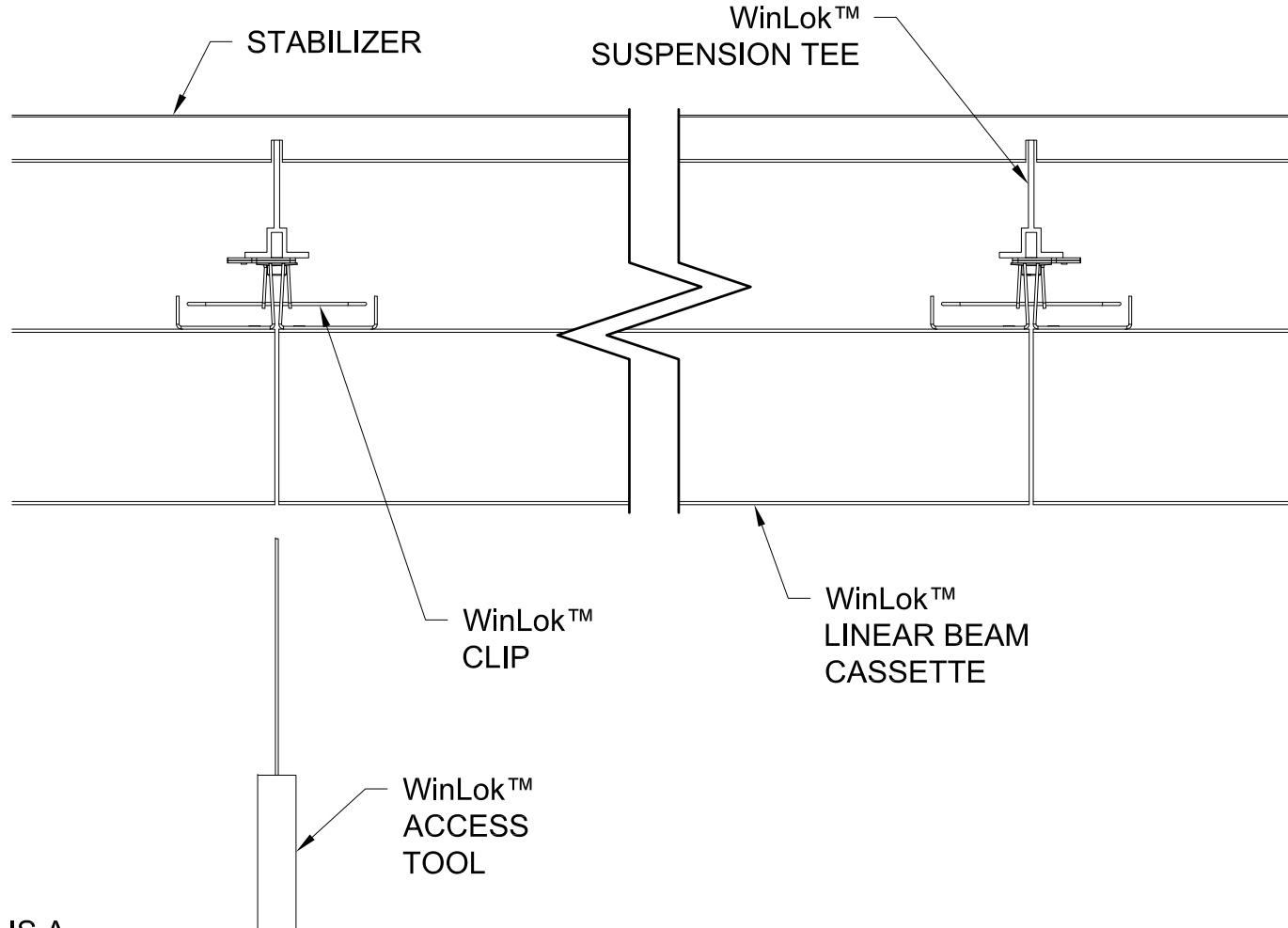


WinLok™ IS A  
 TRADEMARK OF GORDON, INC.  
 U.S. Patent #10,113,317 B1

**GORDON**®  
 ARCHITECTURAL+ENGINEERED SOLUTIONS

5023 Hazel Jones Rd.  
 Bossier City, LA 71111  
 800.747.8954  
 GORDON-INC.COM  
 sales@gordon-inc.com

CEILING  
 WINLOK BEAM BAFFLE CASSETTE  
 CLIP DETAIL

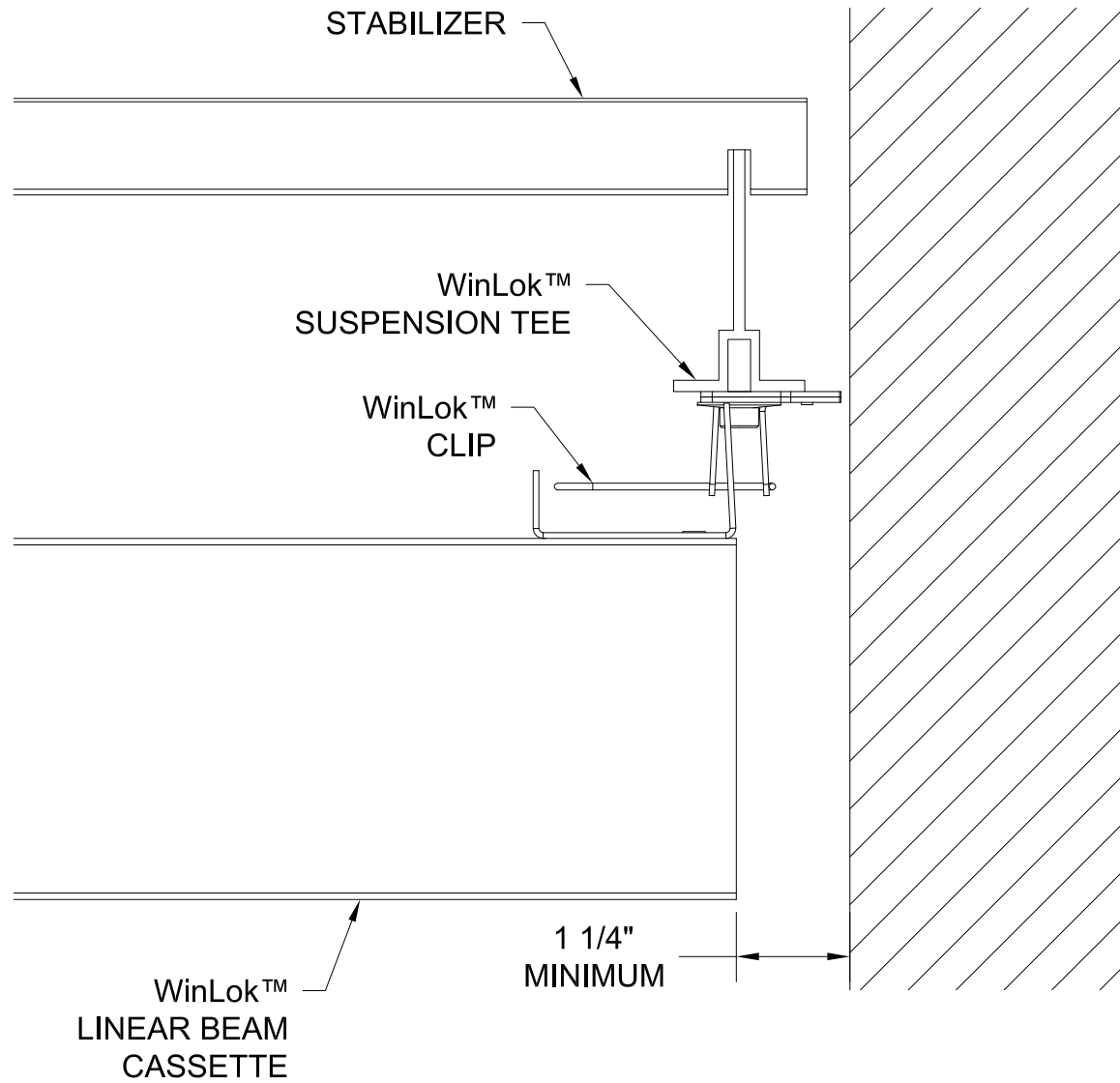


WinLok™ IS A  
 TRADEMARK OF GORDON, INC.  
 U.S. Patent #10,113,317 B1

**GORDON**®  
 ARCHITECTURAL+ENGINEERED SOLUTIONS

5023 Hazel Jones Rd.  
 Bossier City, LA 71111  
 800.747.8954  
 GORDON-INC.COM  
 sales@gordon-inc.com

CEILINGS  
 WINLOK BEAM BAFFLE CASSETTE  
 ACCESS TOOL DETAIL



WinLok™ IS A  
 TRADEMARK OF GORDON, INC.  
 U.S. Patent #10,113,317 B1

**GORDON**®  
 ARCHITECTURAL+ENGINEERED SOLUTIONS

5023 Hazel Jones Rd.  
 Bossier City, LA 71111  
 800.747.8954  
 GORDON-INC.COM  
 sales@gordon-inc.com

**CEILING  
 WINLOK BEAM BAFFLE CASSETTE  
 PERIMETER DETAIL**