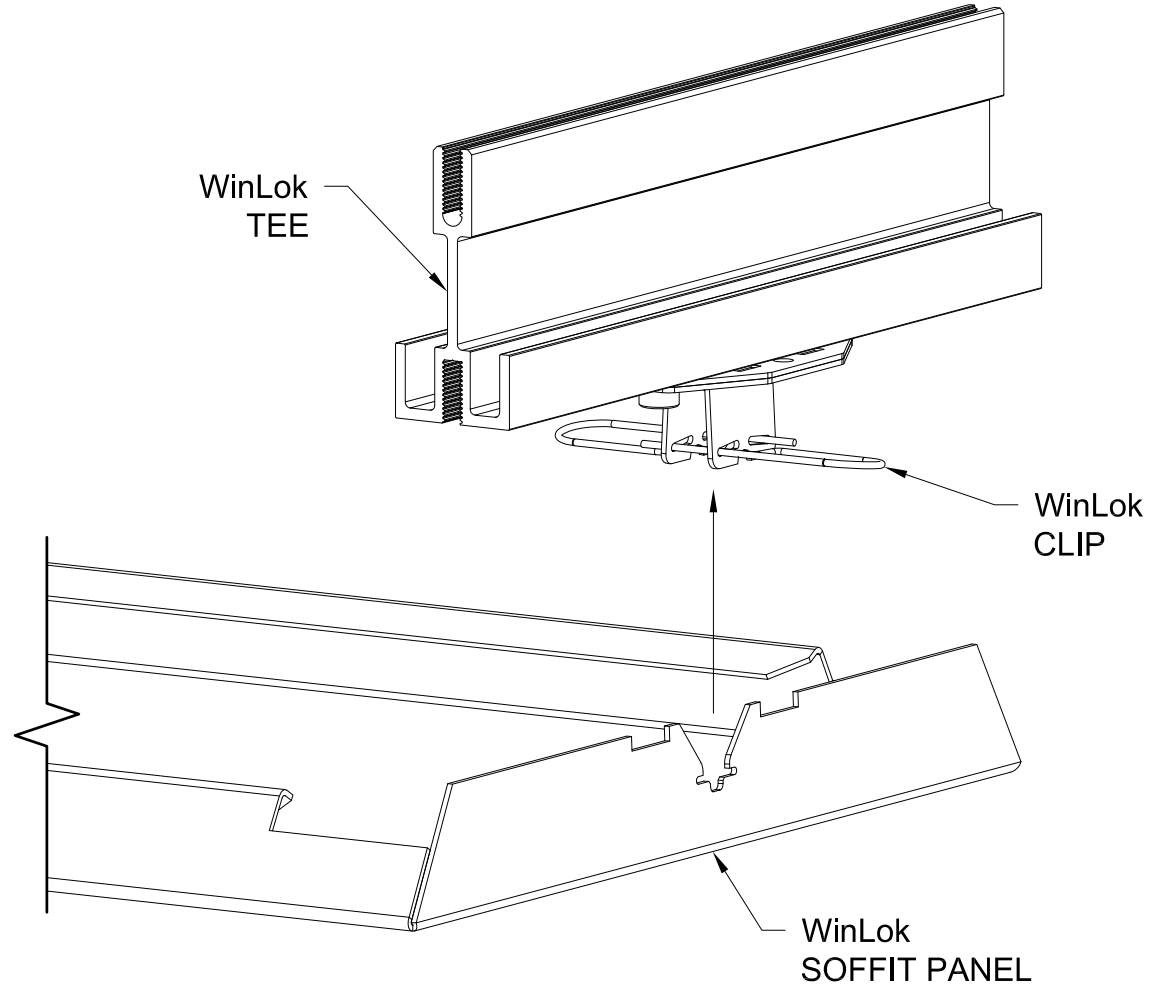


WinLok™ PATENT NO.:
US 10,113,317 B1

GORDON®
ARCHITECTURAL+ENGINEERED SOLUTIONS

5023 Hazel Jones Rd.
Bossier City, LA 71111
800.747.8954
GORDON-INC.COM
sales@gordon-inc.com

**SOFFITS
PLANKS & TILES - WINLOK
SUSPENSION ASSEMBLY**

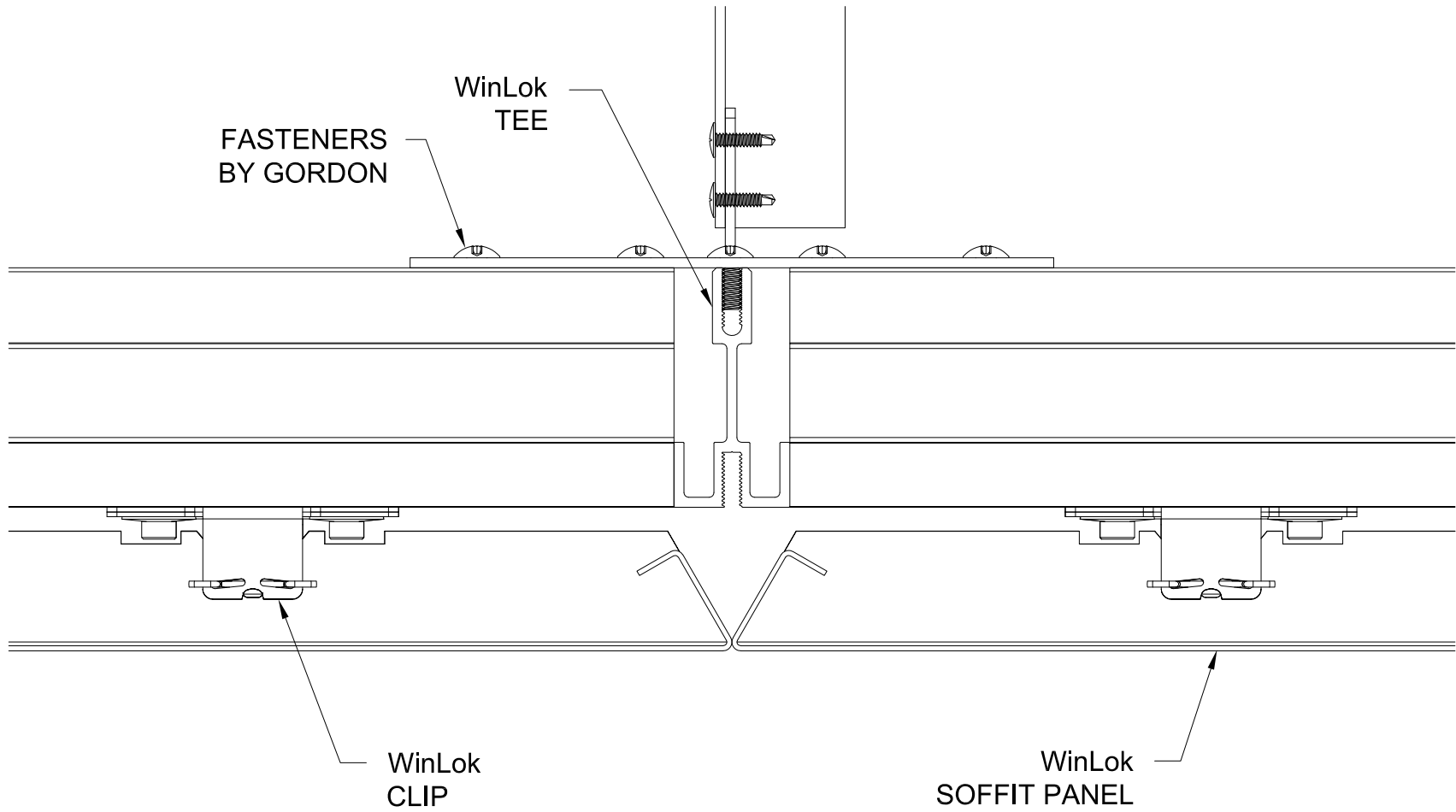


WinLok™ PATENT NO.:
US 10,113,317 B1

GORDON®
ARCHITECTURAL+ENGINEERED SOLUTIONS

5023 Hazel Jones Rd.
Bossier City, LA 71111
800.747.8954
GORDON-INC.COM
sales@gordon-inc.com

**SOFFITS
PLANKS & TILES - WINLOK
PANEL INSTALLATION**

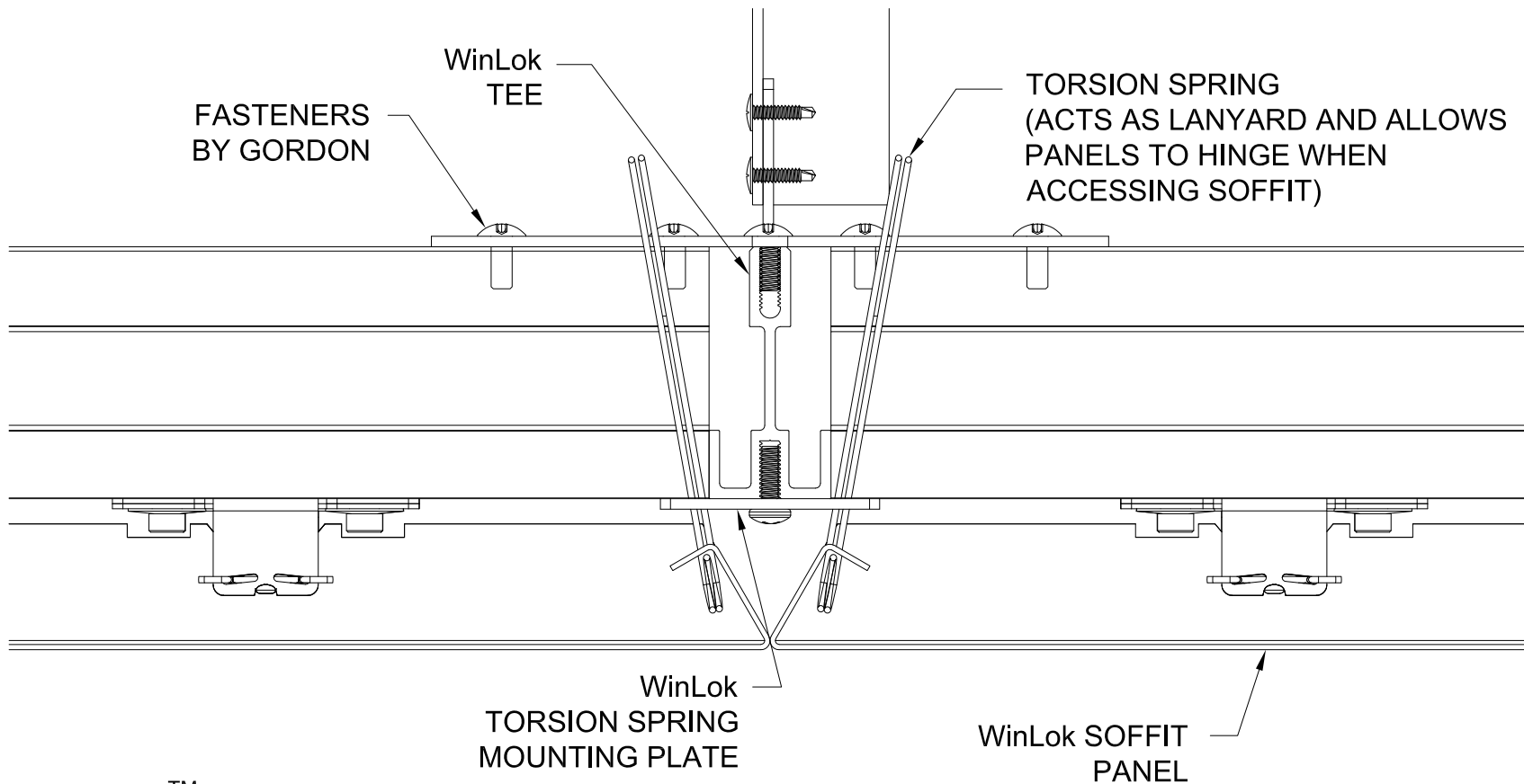


WinLok™ PATENT NO.:
US 10,113,317 B1

GORDON®
ARCHITECTURAL+ENGINEERED SOLUTIONS

5023 Hazel Jones Rd.
Bossier City, LA 71111
800.747.8954
GORDON-INC.COM
sales@gordon-inc.com

SOFFITS
PLANKS & TILES - WINLOK
BRACKET DETAIL

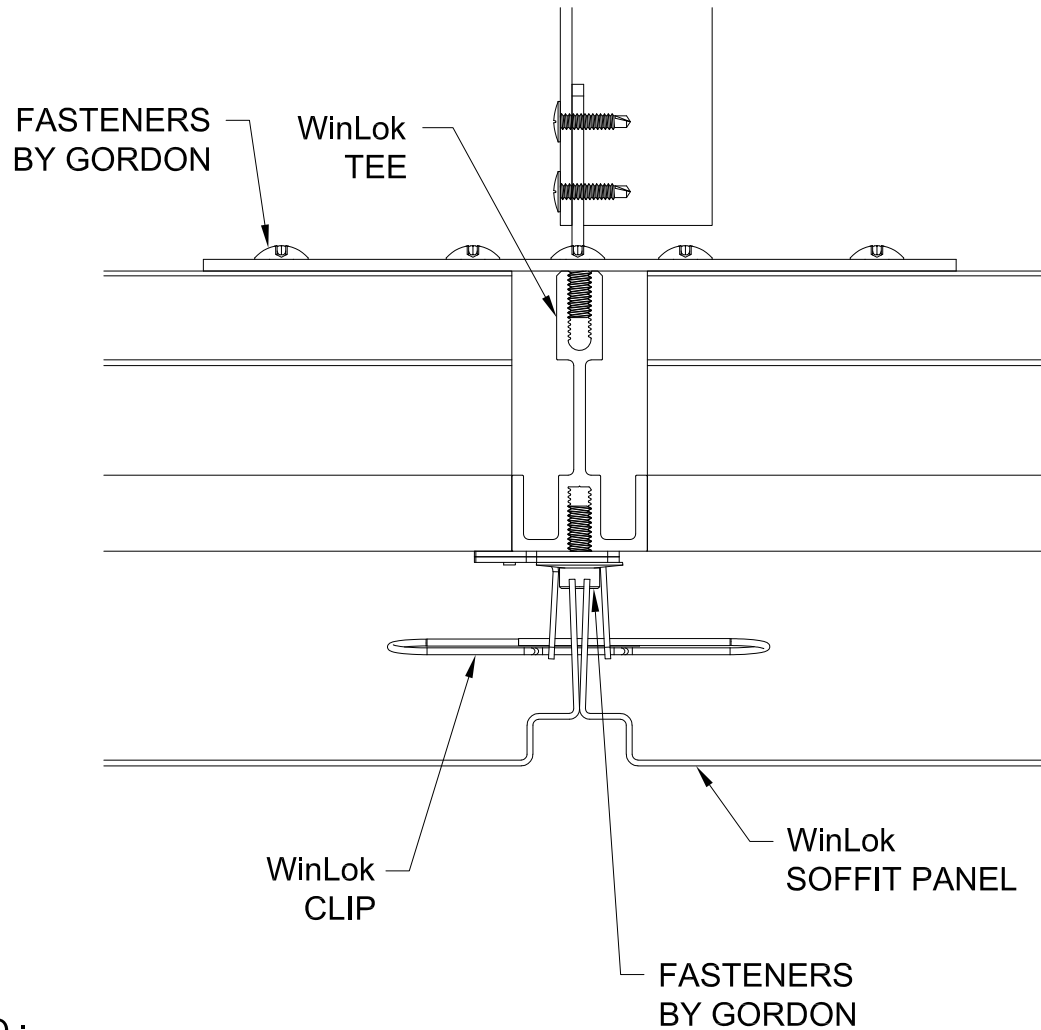


WinLok™ PATENT NO.:
US 10,113,317 B1

GORDON®
ARCHITECTURAL+ENGINEERED SOLUTIONS

5023 Hazel Jones Rd.
Bossier City, LA 71111
800.747.8954
GORDON-INC.COM
sales@gordon-inc.com

**SOFFITS
PLANKS & TILES - WINLOK
TORSION PLATE DETAIL**

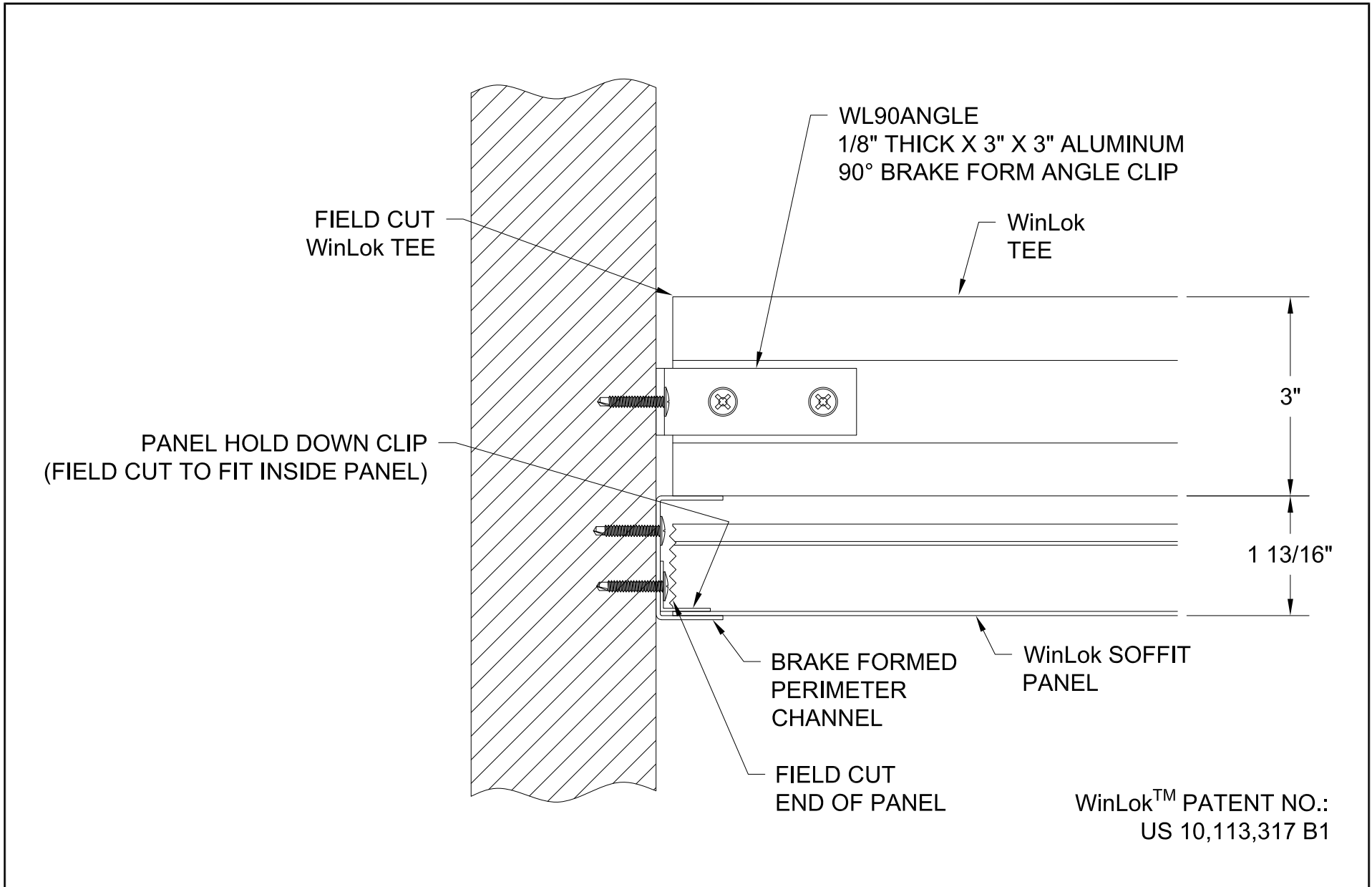


WinLok™ PATENT NO.:
US 10,113,317 B1

GORDON®
ARCHITECTURAL+ENGINEERED SOLUTIONS

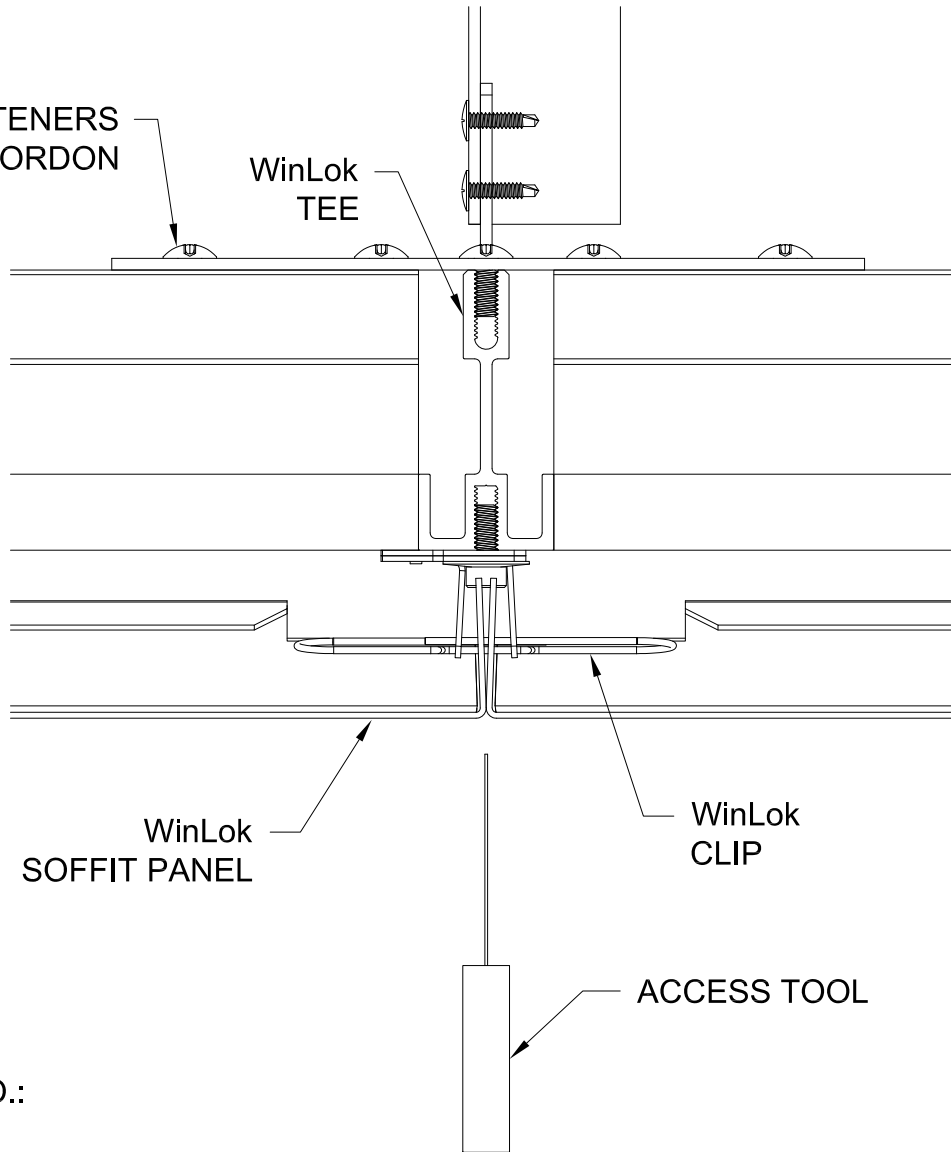
5023 Hazel Jones Rd.
Bossier City, LA 71111
800.747.8954
GORDON-INC.COM
sales@gordon-inc.com

**SOFFITS
PLANKS & TILES - WINLOK
REVEAL PANEL DETAIL**



FASTENERS
BY GORDON

WinLok
TEE



WinLok
SOFFIT PANEL

WinLok
CLIP

ACCESS TOOL

WinLok™ PATENT NO.:
US 10,113,317 B1

GORDON®
ARCHITECTURAL+ENGINEERED SOLUTIONS

5023 Hazel Jones Rd.
Bossier City, LA 71111
800.747.8954
GORDON-INC.COM
sales@gordon-inc.com

**SOFFITS
PLANKS & TILES - WINLOK
ACCESS TOOL DETAIL**