

GORDON®
ARCHITECTURAL+ENGINEERED SOLUTIONS

5023 Hazel Jones Rd.
Bossier City, LA 71111
800.747.8954
GORDON-INC.COM
sales@gordon-inc.com

SCREEN WALLS
WINLOK
ISOMETRIC DETAIL

WinLok™
WALL PANEL

SAFETY HOOK

WinLok™
CLIP

STRUCTURAL SUPPORTS
(BY OTHERS)

WinLok™
RAIL ATTACHED TO
STRUCTURAL SUPPORTS
(BY INSTALLER)

DIELECTRIC
SEPARATOR
(BY OTHERS)

FASTENERS
(BY OTHERS)

WinLok™ PATENT NO.:
US 10,113,317 B1

GORDON®
ARCHITECTURAL+ENGINEERED SOLUTIONS

5023 Hazel Jones Rd.
Bossier City, LA 71111
800.747.8954
GORDON-INC.COM
sales@gordon-inc.com

SCREEN WALLS
WINLOK
TOP PANEL - SECTION 1

STRUCTURAL SUPPORTS
(BY OTHERS)

FASTENERS
(BY OTHERS)

WinLok RAIL ATTACHED TO
STRUCTURAL SUPPORTS
(BY OTHERS)

DIELECTRIC SEPARATOR
(BY OTHERS)

WinLok™
WALL PANEL

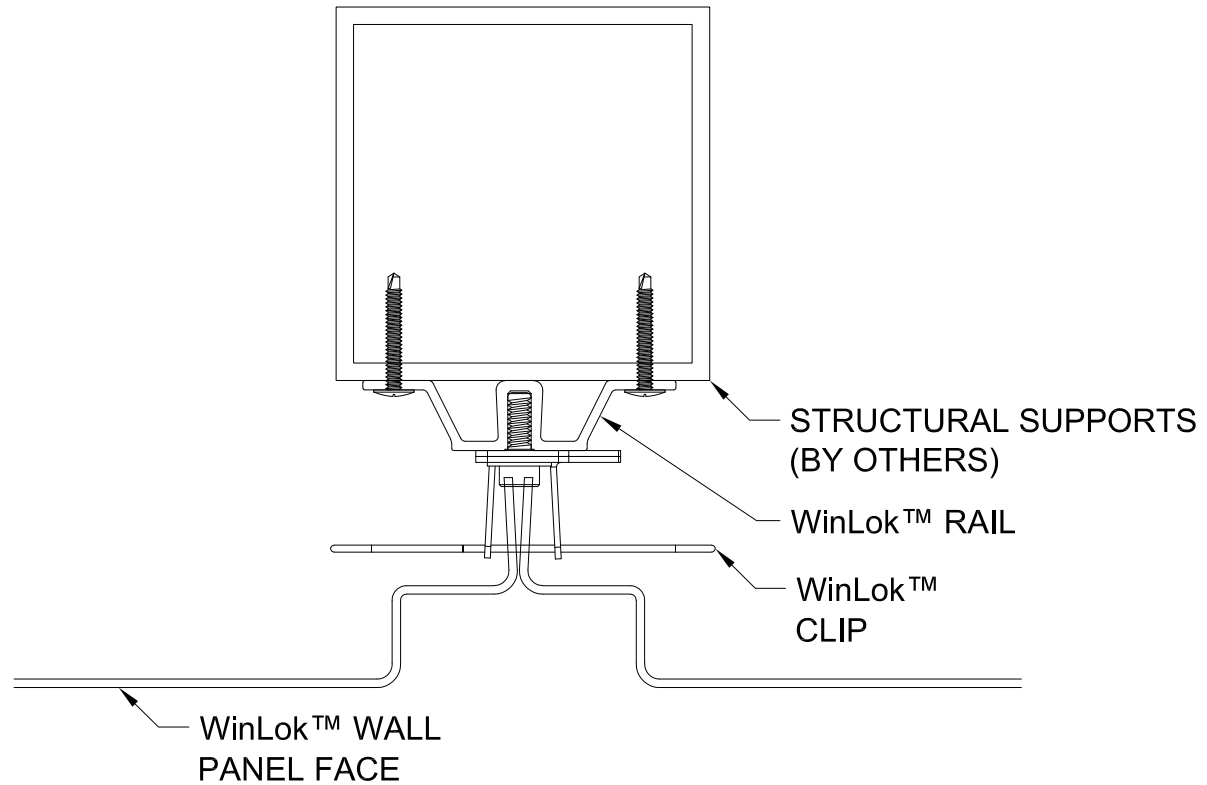
WinLok™
CLIP

WinLok™ PATENT NO.:
US 10,113,317 B1

GORDON®
ARCHITECTURAL+ENGINEERED SOLUTIONS

5023 Hazel Jones Rd.
Bossier City, LA 71111
800.747.8954
GORDON-INC.COM
sales@gordon-inc.com

SCREEN WALLS
WINLOK
VERTICAL JOINT - SECTION 2

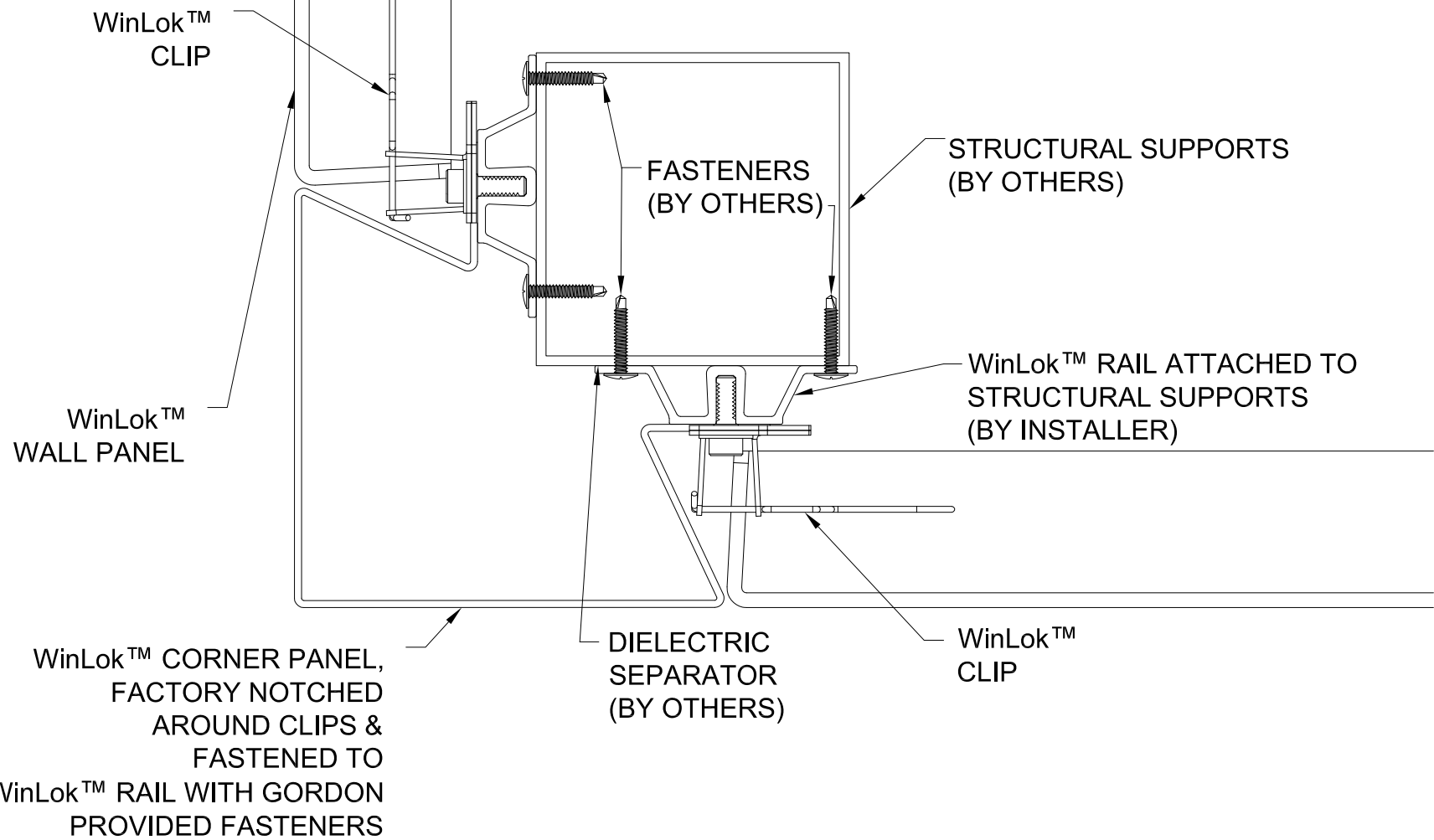


WinLok™ PATENT NO.:
 US 10,113,317 B1

GORDON®
 ARCHITECTURAL+ENGINEERED SOLUTIONS

5023 Hazel Jones Rd.
 Bossier City, LA 71111
 800.747.8954
 GORDON-INC.COM
 sales@gordon-inc.com

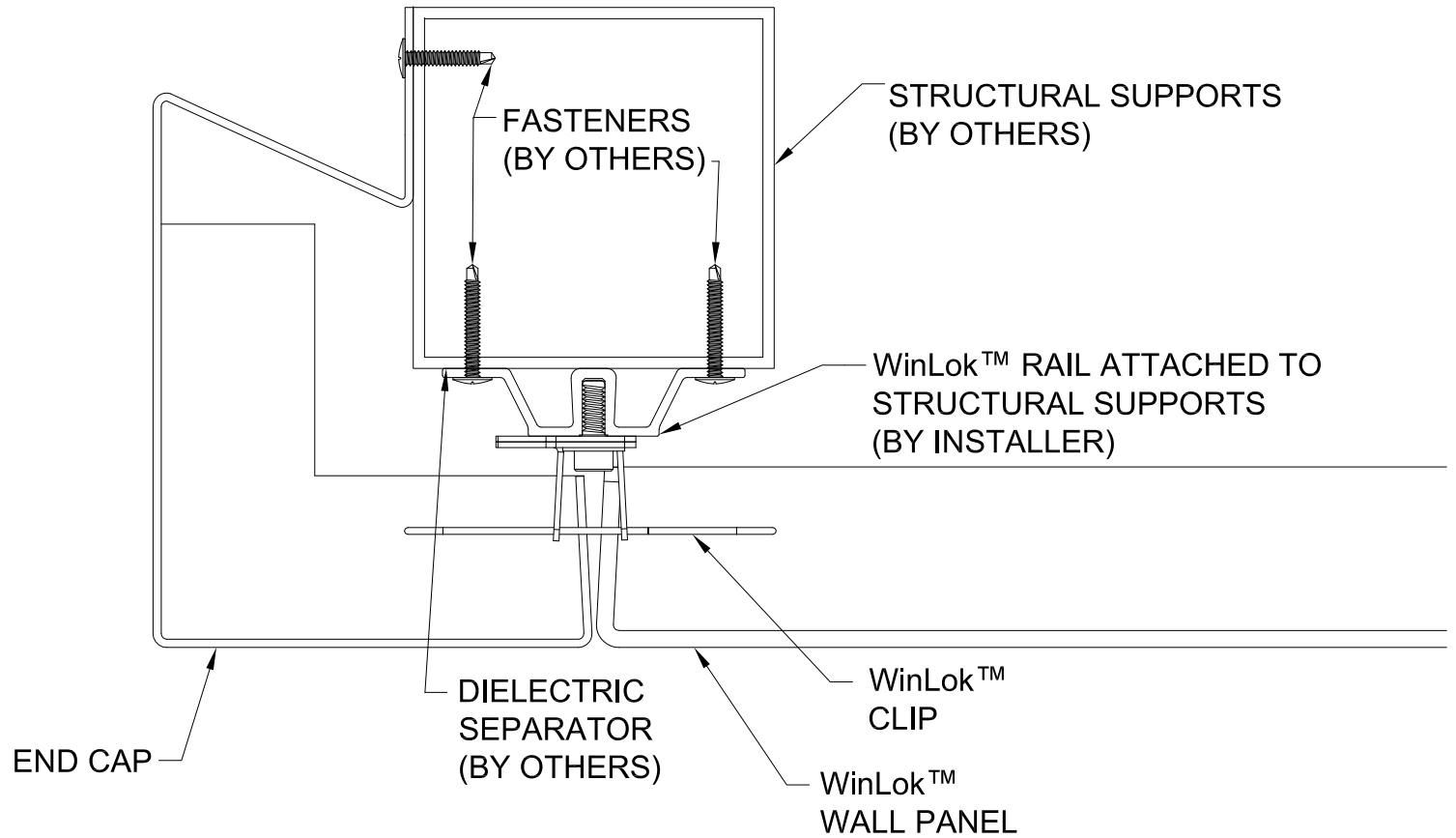
SCREEN WALLS
 WINLOK
 VERTICAL REVEAL JOINT - SECTION 2



WinLok™ PATENT NO.:
US 10,113,317 B1

GORDON® ARCHITECTURAL+ENGINEERED SOLUTIONS
 5023 Hazel Jones Rd.
 Bossier City, LA 71111
 800.747.8954
 GORDON-INC.COM
 sales@gordon-inc.com

SCREEN WALLS
 WINLOK
 OUTSIDE CORNER - SECTION 3

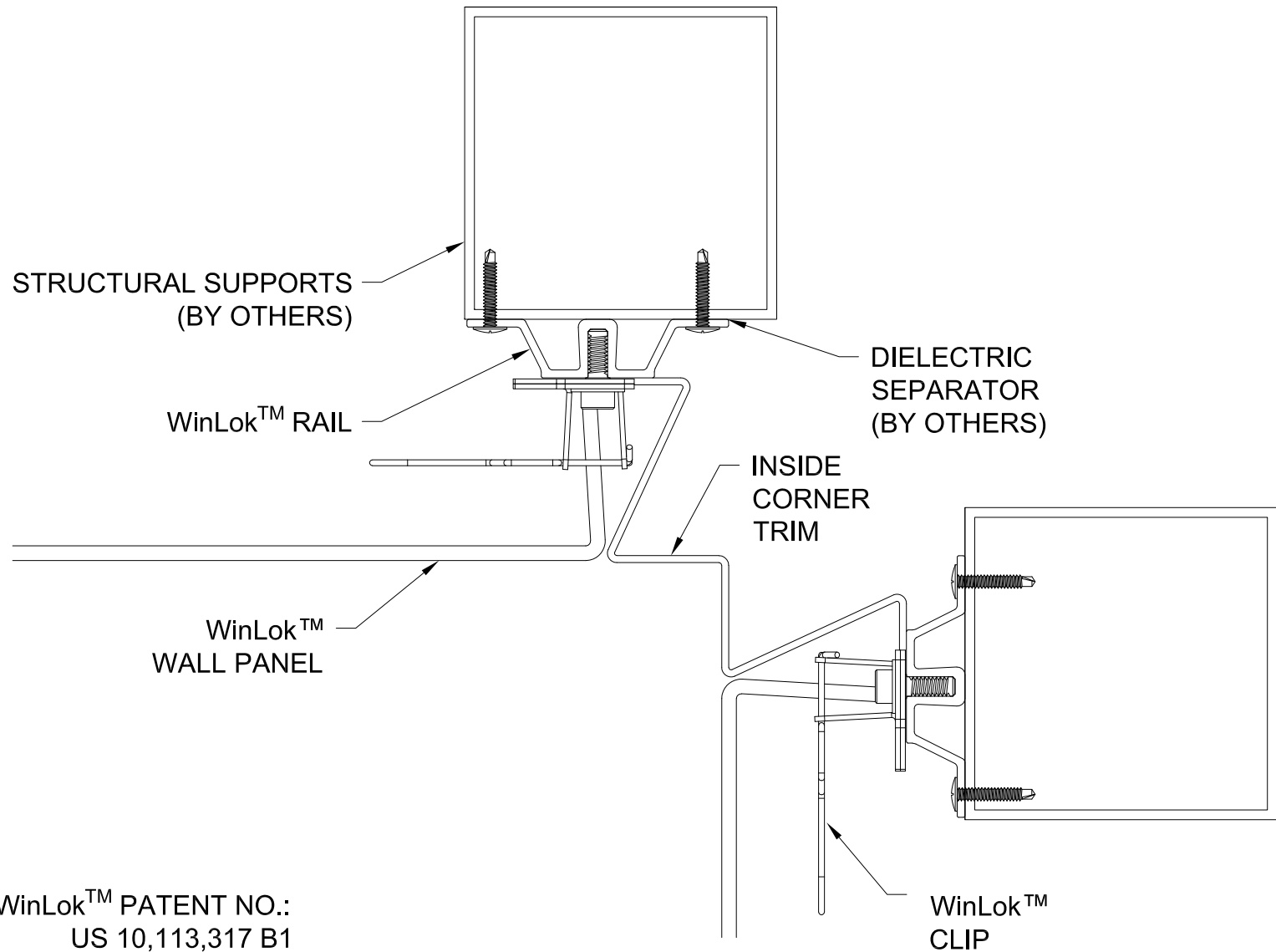


WinLok™ PATENT NO.:
US 10,113,317 B1

GORDON®
ARCHITECTURAL+ENGINEERED SOLUTIONS

5023 Hazel Jones Rd.
Bossier City, LA 71111
800.747.8954
GORDON-INC.COM
sales@gordon-inc.com

SCREEN WALLS
WINLOK
END CONDITION - SECTION 4

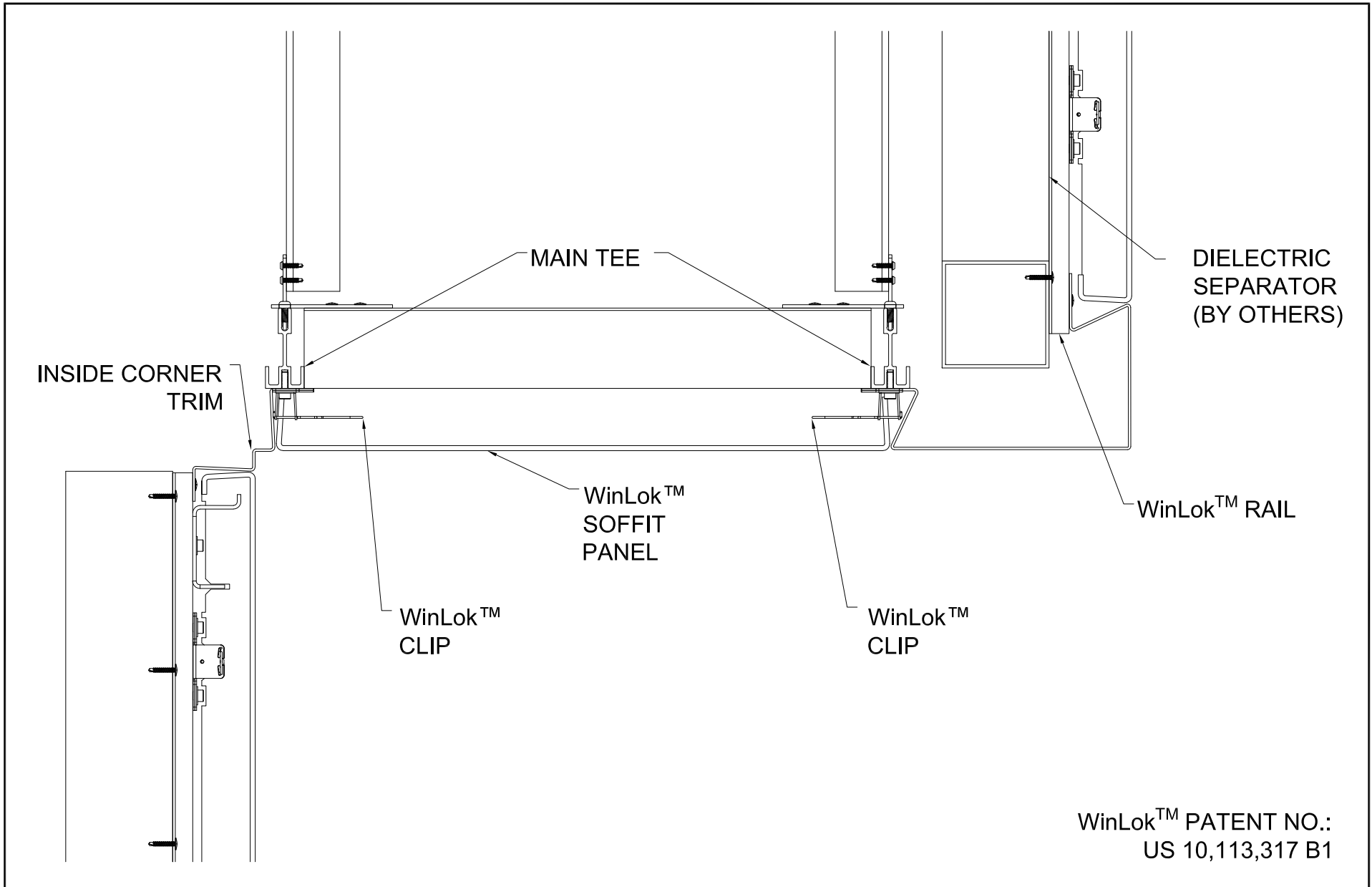


WinLok™ PATENT NO.:
US 10,113,317 B1

SCREEN WALLS
WINLOK
INSIDE CORNER - SECTION 5

GORDON®
ARCHITECTURAL+ENGINEERED SOLUTIONS

5023 Hazel Jones Rd.
Bossier City, LA 71111
800.747.8954
GORDON-INC.COM
sales@gordon-inc.com



GORDON®
ARCHITECTURAL+ENGINEERED SOLUTIONS

5023 Hazel Jones Rd.
Bossier City, LA 71111
800.747.8954
GORDON-INC.COM
sales@gordon-inc.com

SCREEN WALLS
WINLOK
SOFFIT TRANSITION - SECTION 6