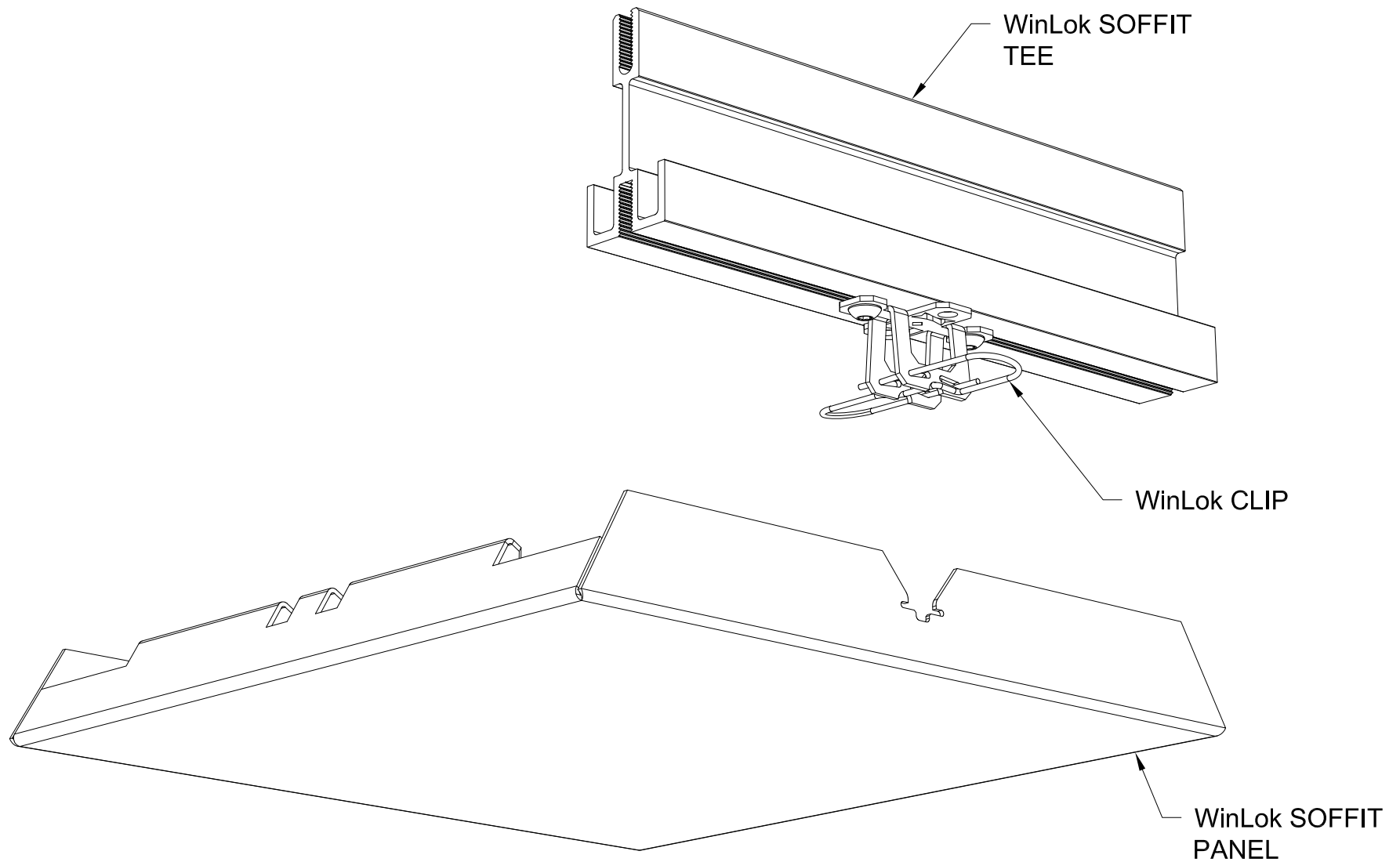


U.S. Patent No. 10113317, 11168477, 12049758

GORDON®
ARCHITECTURAL+ENGINEERED SOLUTIONS

5023 Hazel Jones Rd.
Bossier City, LA 71111
800.747.8954
GORDON-INC.COM
sales@gordon-inc.com

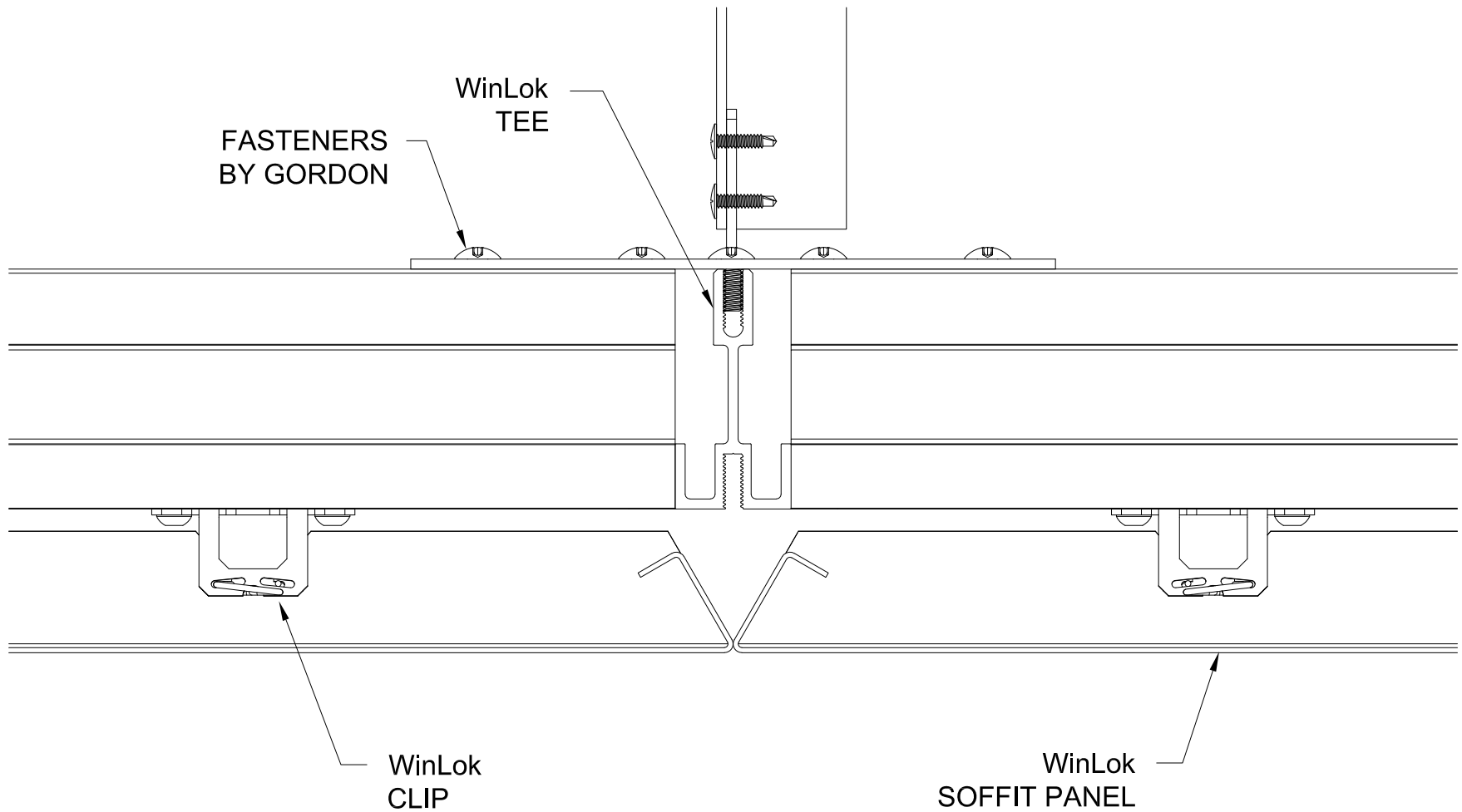
**SOFFITS
PLANKS & TILES - WINLOK
SUSPENSION ASSEMBLY**



U.S. Patent No. 10113317, 11168477, 12049758

GORDON® ARCHITECTURAL+ENGINEERED SOLUTIONS
5023 Hazel Jones Rd.
Bossier City, LA 71111
800.747.8954
GORDON-INC.COM
sales@gordon-inc.com

**SOFFITS
PLANKS & TILES - WINLOK
PANEL INSTALLATION**

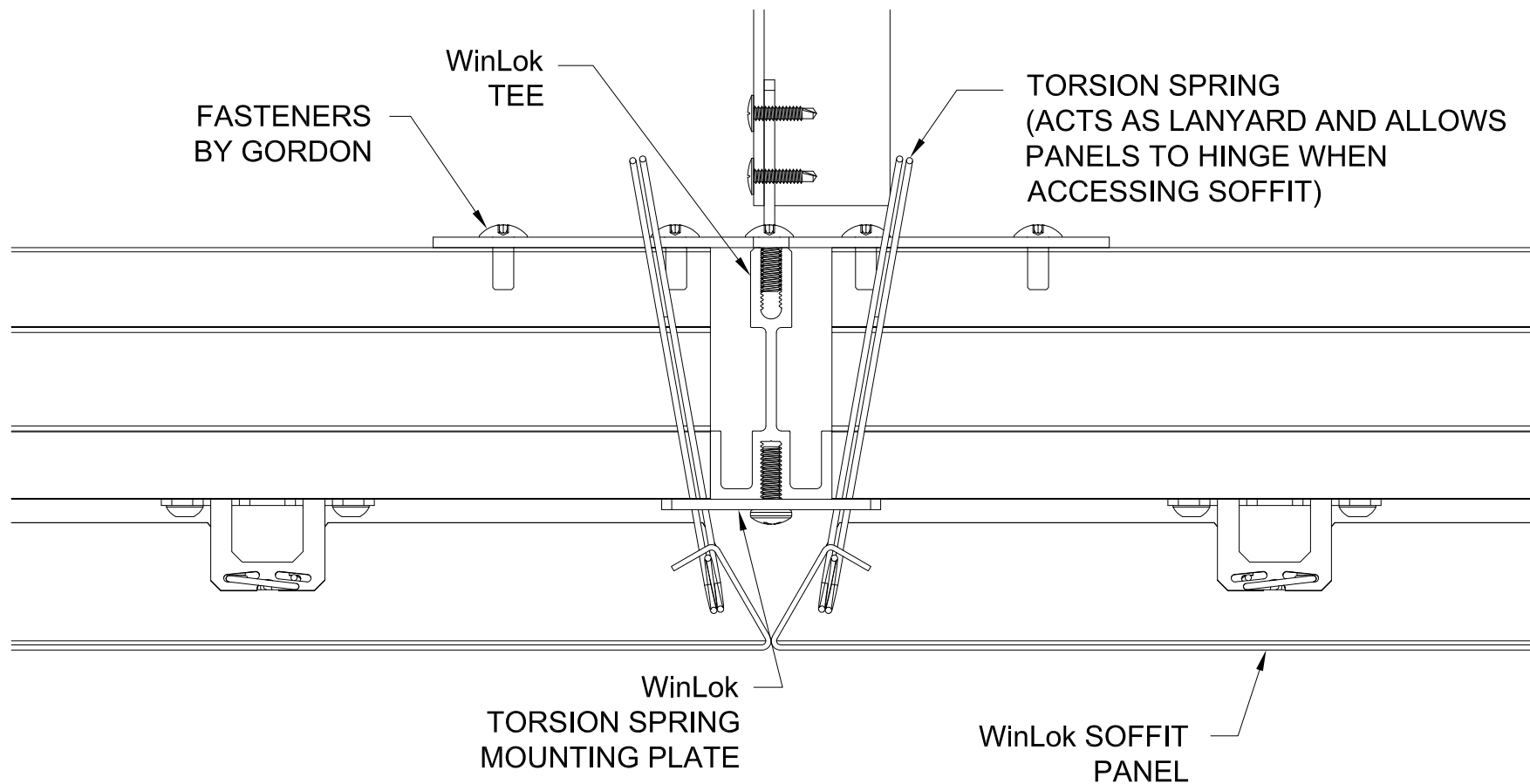


U.S. Patent No. 10113317, 11168477, 12049758

GORDON
ARCHITECTURAL+ENGINEERED SOLUTIONS

© 5023 Hazel Jones Rd.
Bossier City, LA 71111
800.747.8954
GORDON-INC.COM
sales@gordon-inc.com

**SOFFITS
PLANKS & TILES - WINLOK
BRACKET DETAIL**

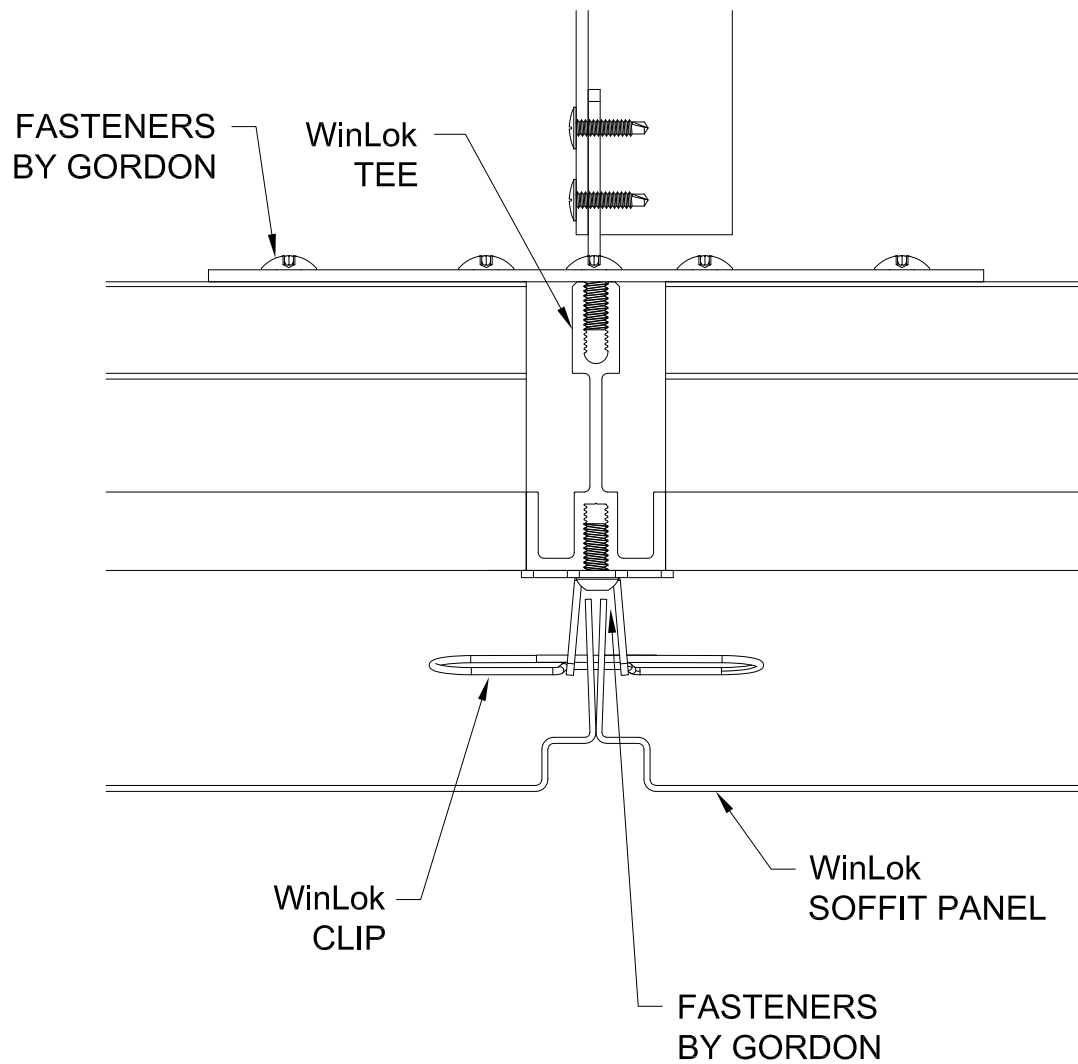


U.S. Patent No. 10113317, 11168477, 12049758

GORDON
ARCHITECTURAL+ENGINEERED SOLUTIONS

© 5023 Hazel Jones Rd.
Bossier City, LA 71111
800.747.8954
GORDON-INC.COM
sales@gordon-inc.com

**SOFFITS
PLANKS & TILES - WINLOK
TORSION PLATE DETAIL**

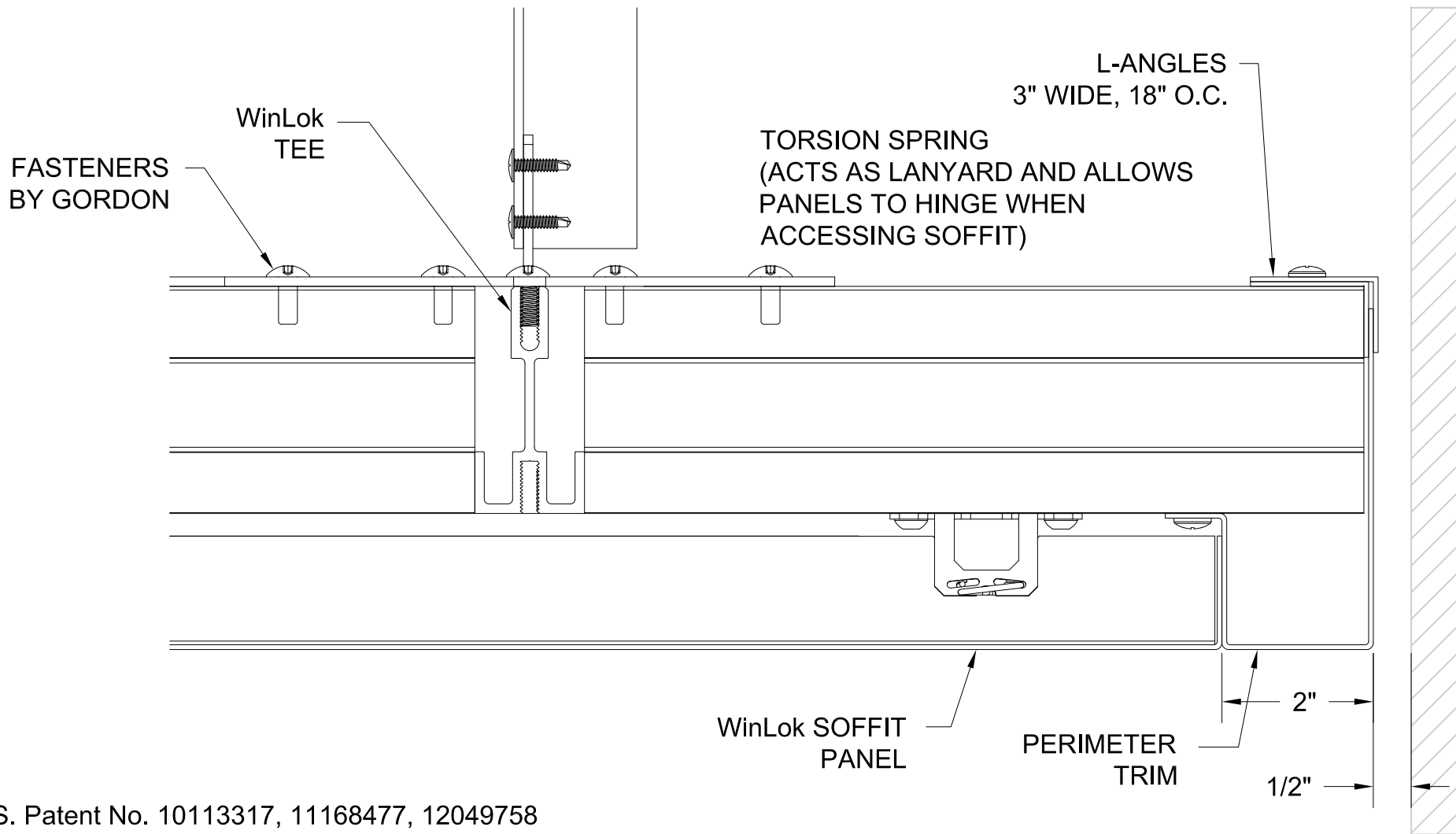


U.S. Patent No. 10113317, 11168477, 12049758

GORDON
ARCHITECTURAL+ENGINEERED SOLUTIONS

© 5023 Hazel Jones Rd.
Bossier City, LA 71111
800.747.8954
GORDON-INC.COM
sales@gordon-inc.com

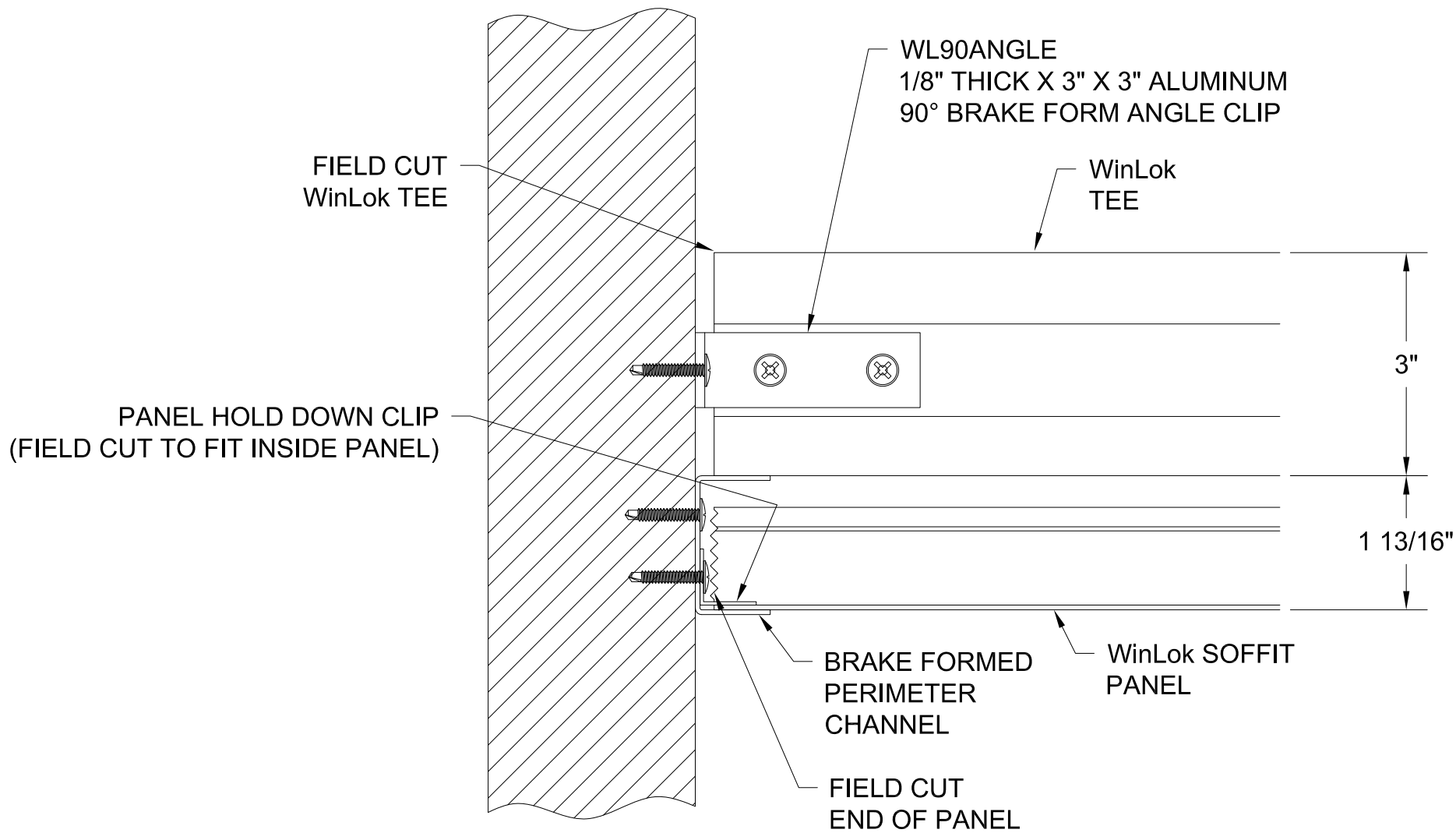
**SOFFITS
PLANKS & TILES - WINLOK
REVEAL PANEL DETAIL**



GORDON
ARCHITECTURAL+ENGINEERED SOLUTIONS

5023 Hazel Jones Rd.
Bossier City, LA 71111
800.747.8954
GORDON-INC.COM
sales@gordon-inc.com

**SOFFITS
PLANKS & TILES - WINLOK
FLOATING PERIMETER DETAIL**

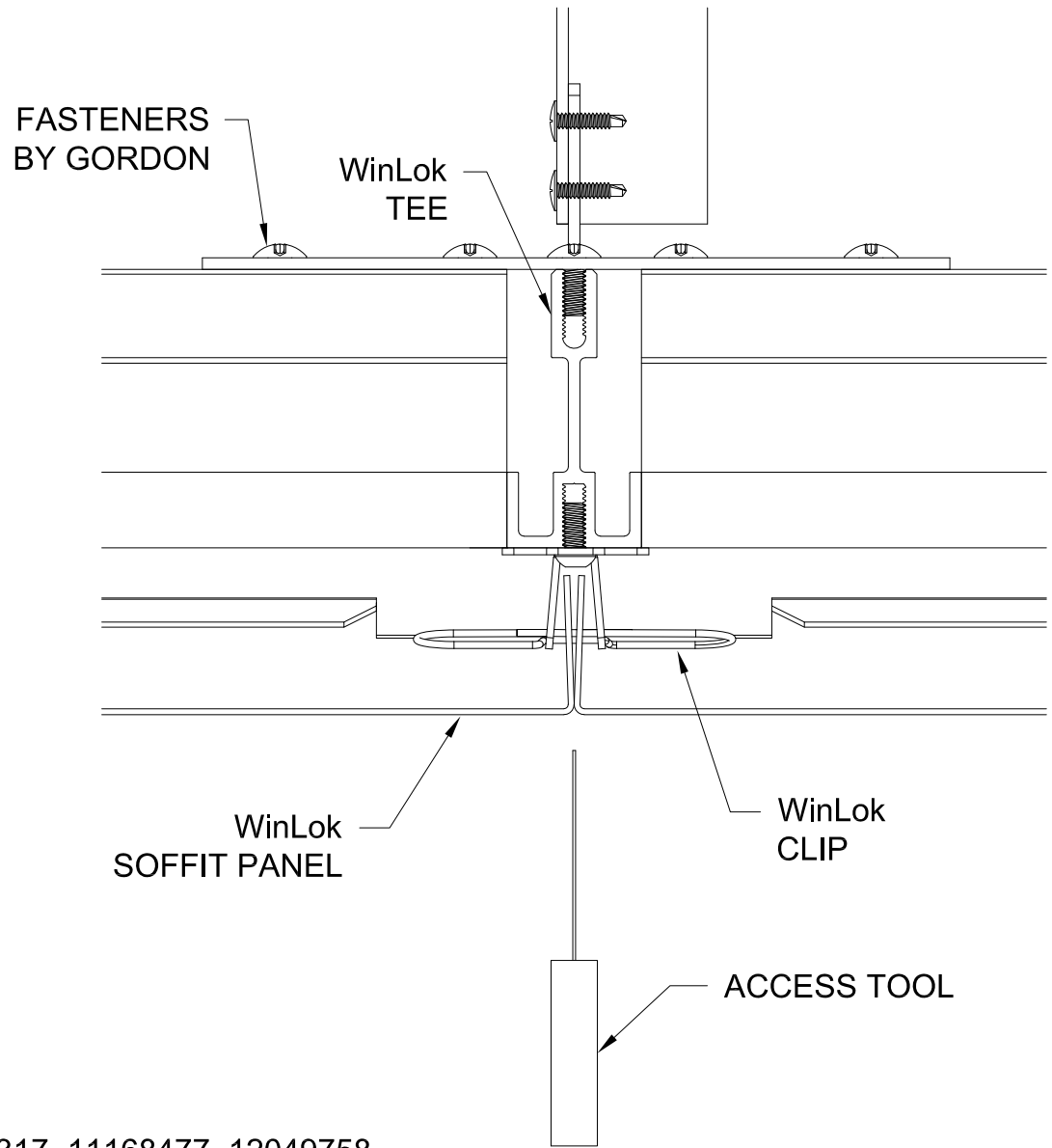


U.S. Patent No. 10113317, 11168477, 12049758

GORDON®
ARCHITECTURAL+ENGINEERED SOLUTIONS

5023 Hazel Jones Rd.
Bossier City, LA 71111
800.747.8954
GORDON-INC.COM
sales@gordon-inc.com

**SOFFITS
PLANKS & TILES - WINLOK
PERIMETER DETAIL**



U.S. Patent No. 10113317, 11168477, 12049758

GORDON
ARCHITECTURAL+ENGINEERED SOLUTIONS

© 5023 Hazel Jones Rd.
Bossier City, LA 71111
800.747.8954
GORDON-INC.COM
sales@gordon-inc.com

**SOFFITS
PLANKS & TILES - WINLOK
ACCESS TOOL DETAIL**