

NOTE: HORIZONTAL TUBES
NOT SHOWN FOR CLARITY.
SEE INDIVIDUAL DETAILS.

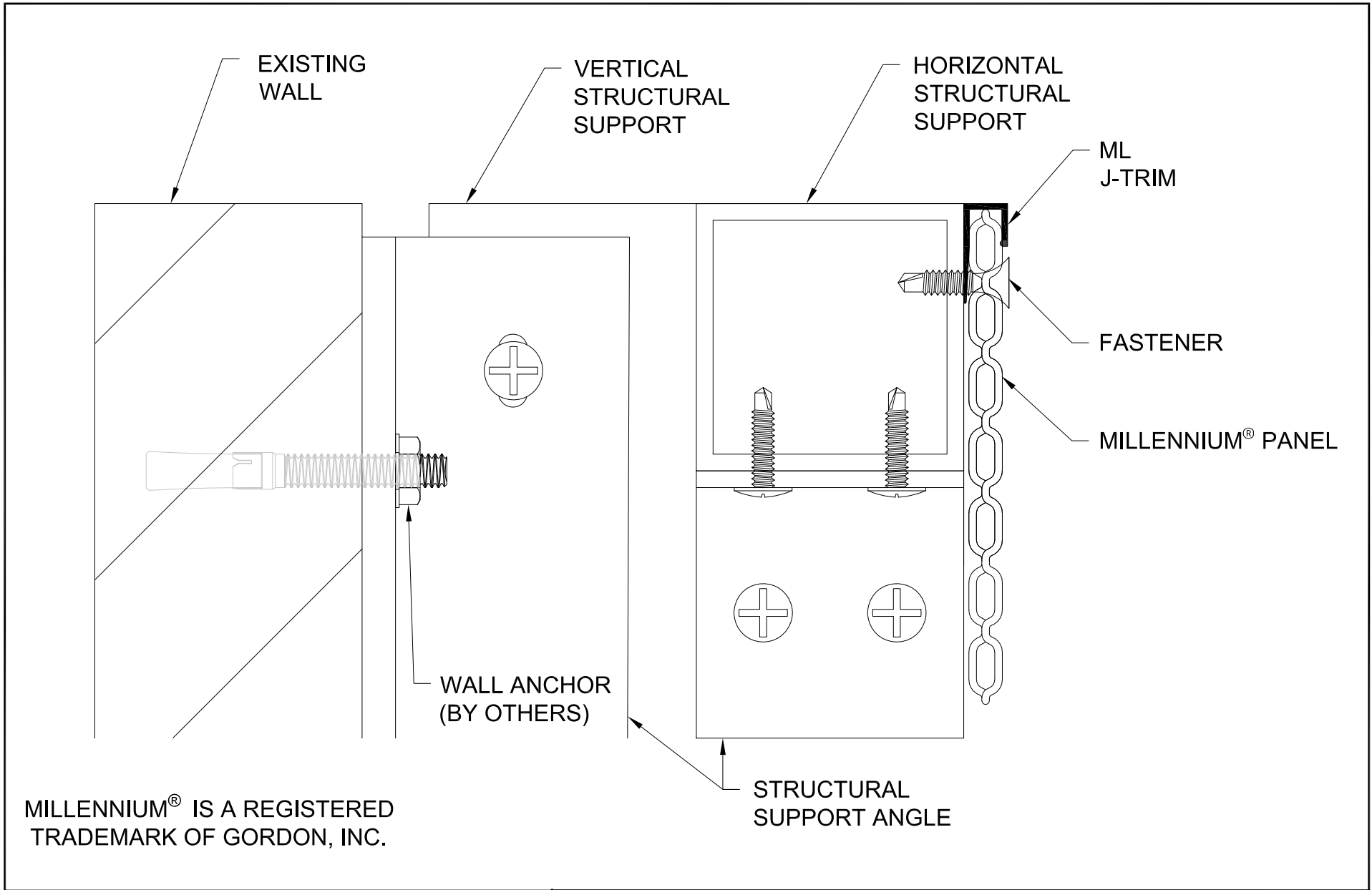
ISOMETRIC VIEW: NOT TO SCALE

MILLENNIUM® IS A REGISTERED
TRADEMARK OF GORDON, INC.

GORDON®
ARCHITECTURAL+ENGINEERED SOLUTIONS

5023 Hazel Jones Rd.
Bossier City, LA 71111
800.747.8954
GORDON-INC.COM
sales@gordon-inc.com

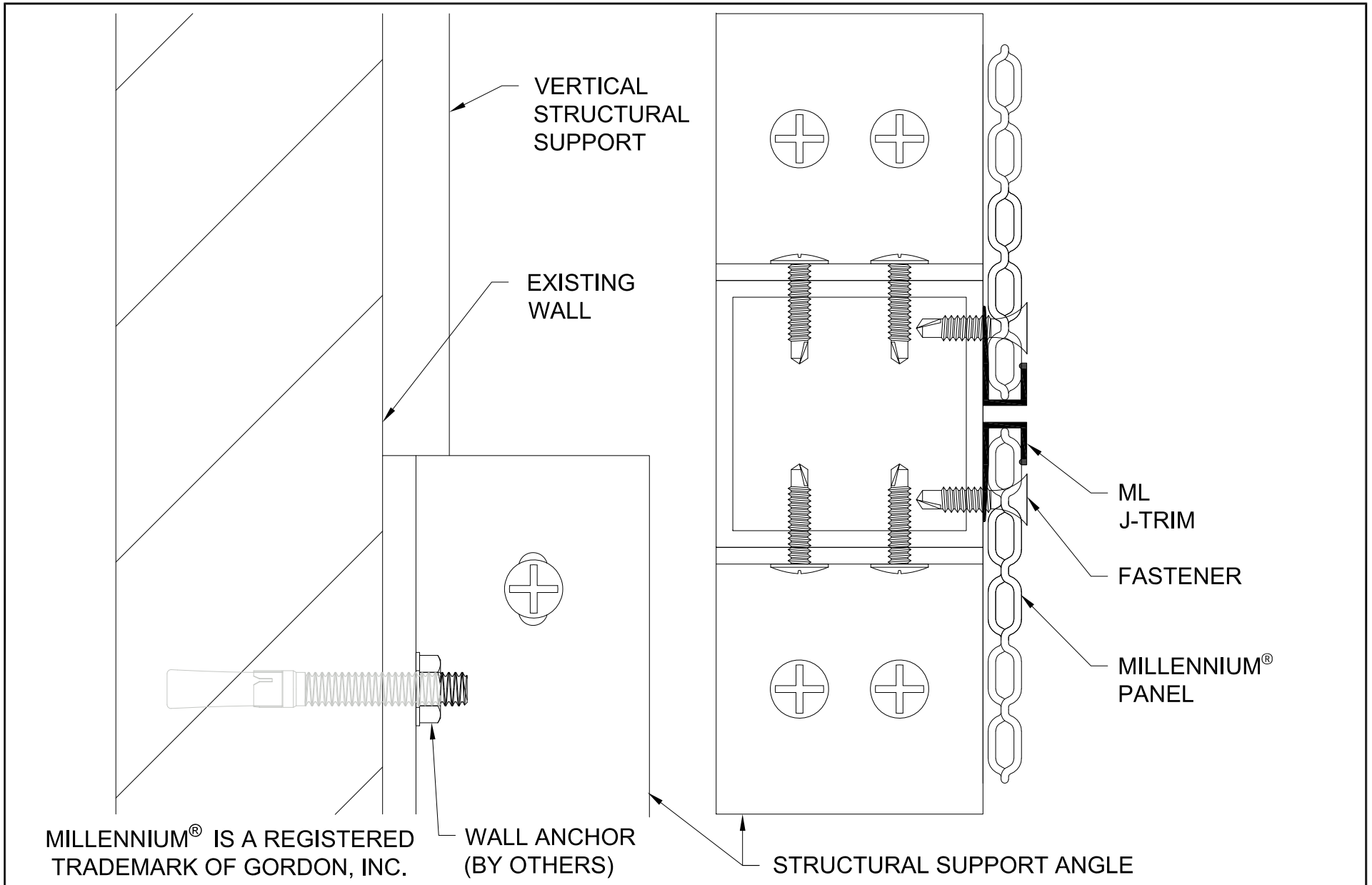
SCREEN WALLS
MILLENNIUM - J-TRIM
ISOMETRIC ASSEMBLY



GORDON® ARCHITECTURAL+ENGINEERED SOLUTIONS

5023 Hazel Jones Rd.
 Bossier City, LA 71111
 800.747.8954
 GORDON-INC.COM
 sales@gordon-inc.com

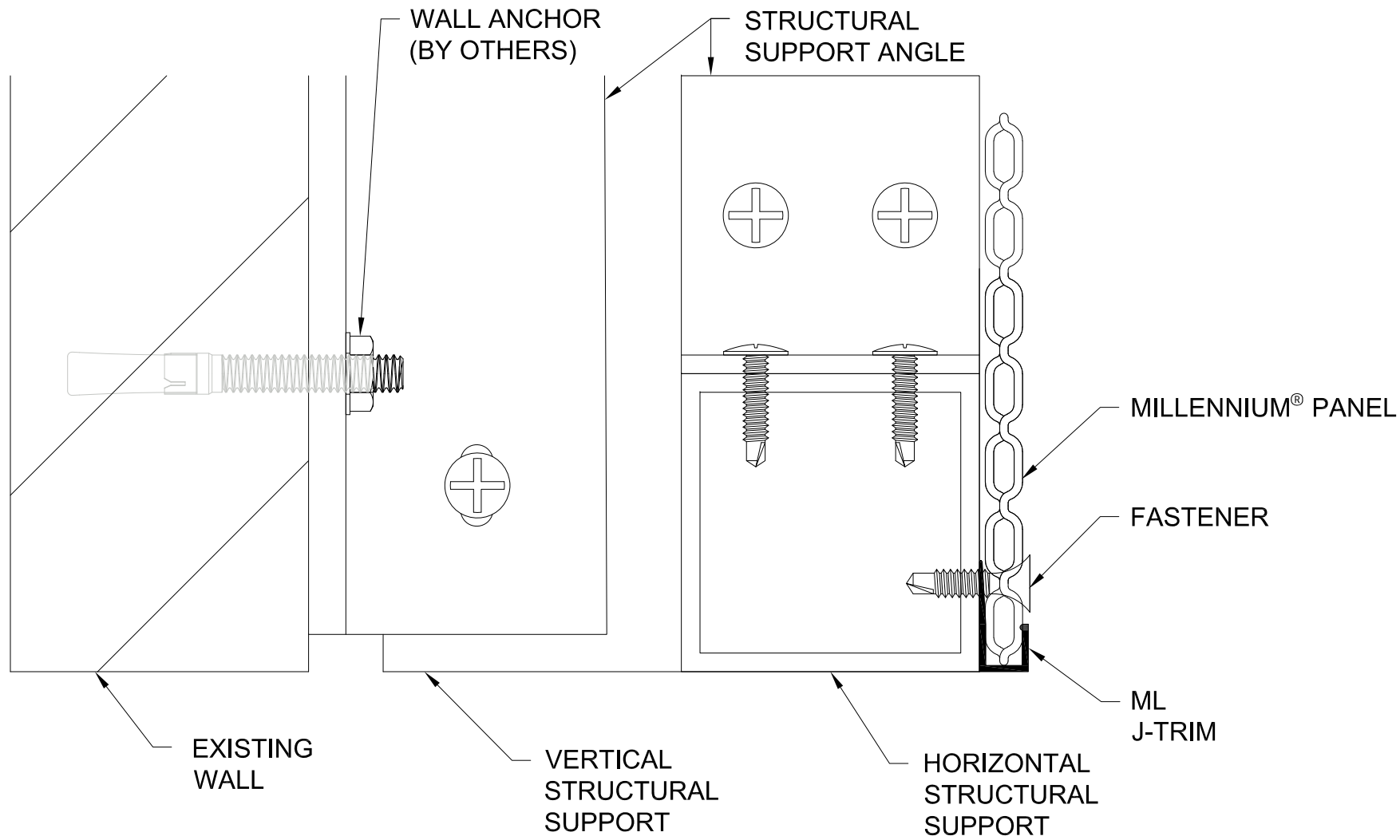
SCREEN WALLS
 MILLENNIUM - J-TRIM
 WALL SECTION - TOP



GORDON®
ARCHITECTURAL+ENGINEERED SOLUTIONS

5023 Hazel Jones Rd.
Bossier City, LA 71111
800.747.8954
GORDON-INC.COM
sales@gordon-inc.com

SCREEN WALLS
MILLENNIUM - J-TRIM
WALL SECTION - HORIZONTAL TRIM

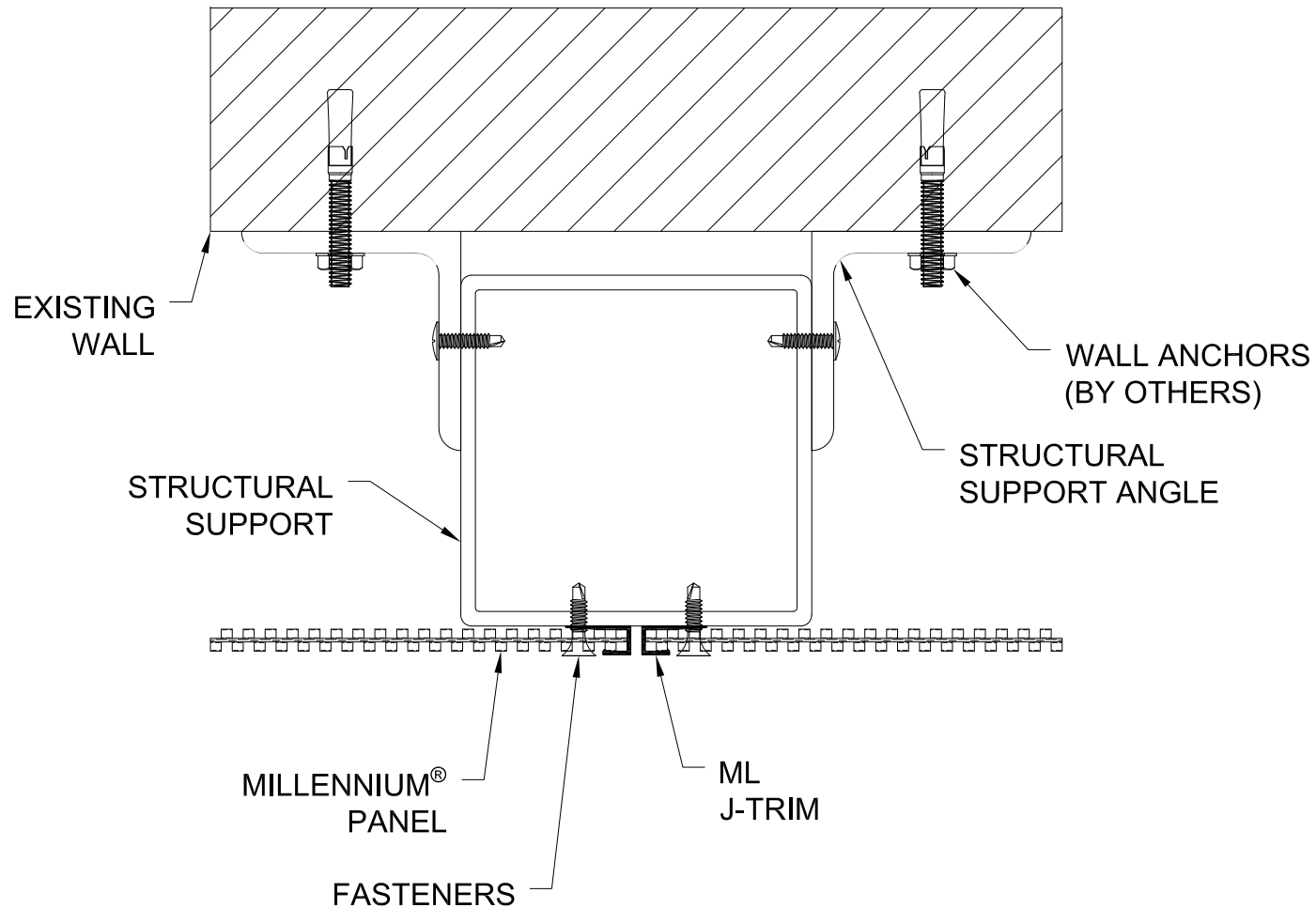


MILLENNIUM® IS A REGISTERED TRADEMARK OF GORDON, INC.

GORDON®
ARCHITECTURAL+ENGINEERED SOLUTIONS

5023 Hazel Jones Rd.
Bossier City, LA 71111
800.747.8954
GORDON-INC.COM
sales@gordon-inc.com

SCREEN WALLS
MILLENNIUM - J-TRIM
WALL SECTION - BASE

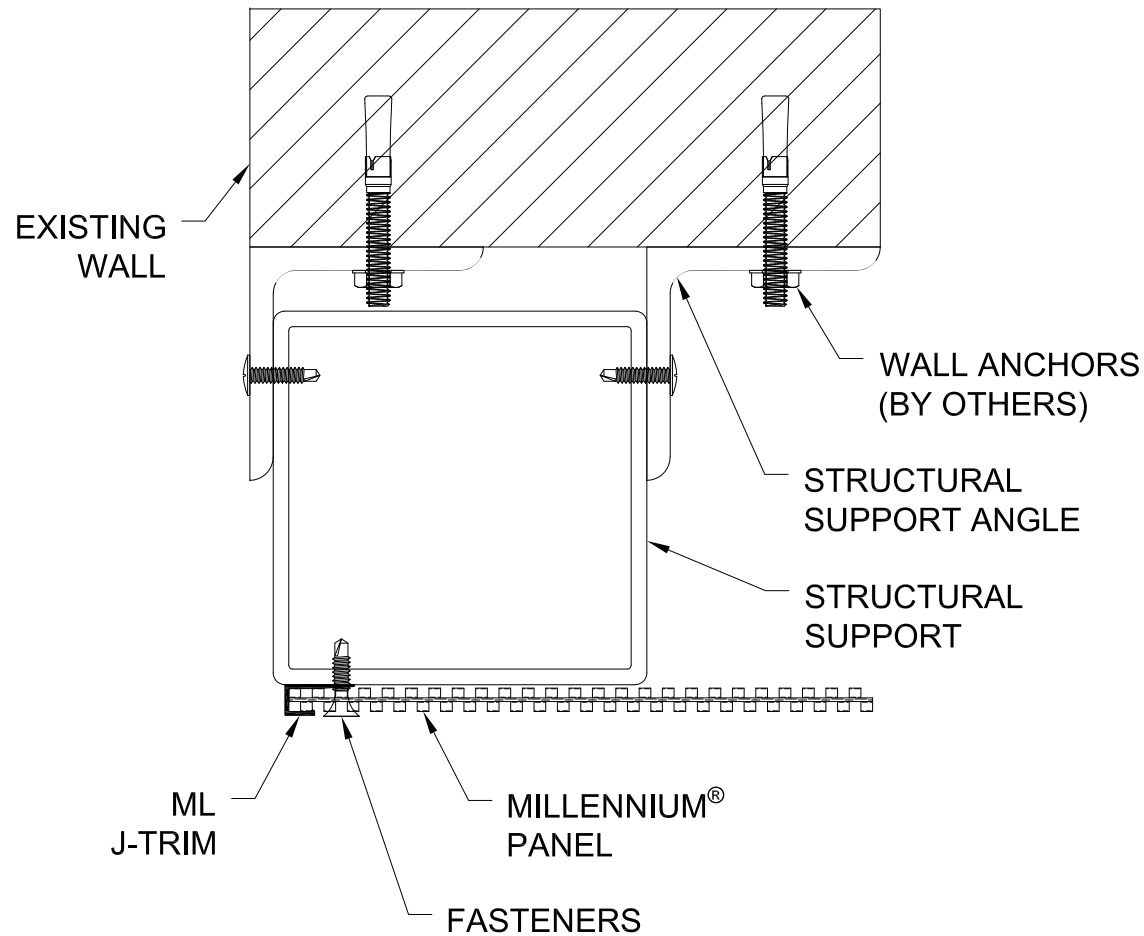


MILLENNIUM® IS A REGISTERED
TRADEMARK OF GORDON, INC.

GORDON®
ARCHITECTURAL+ENGINEERED SOLUTIONS

5023 Hazel Jones Rd.
Bossier City, LA 71111
800.747.8954
GORDON-INC.COM
sales@gordon-inc.com

SCREEN WALLS
MILLENNIUM - J-TRIM
WALL SECTION - VERTICAL TRIM

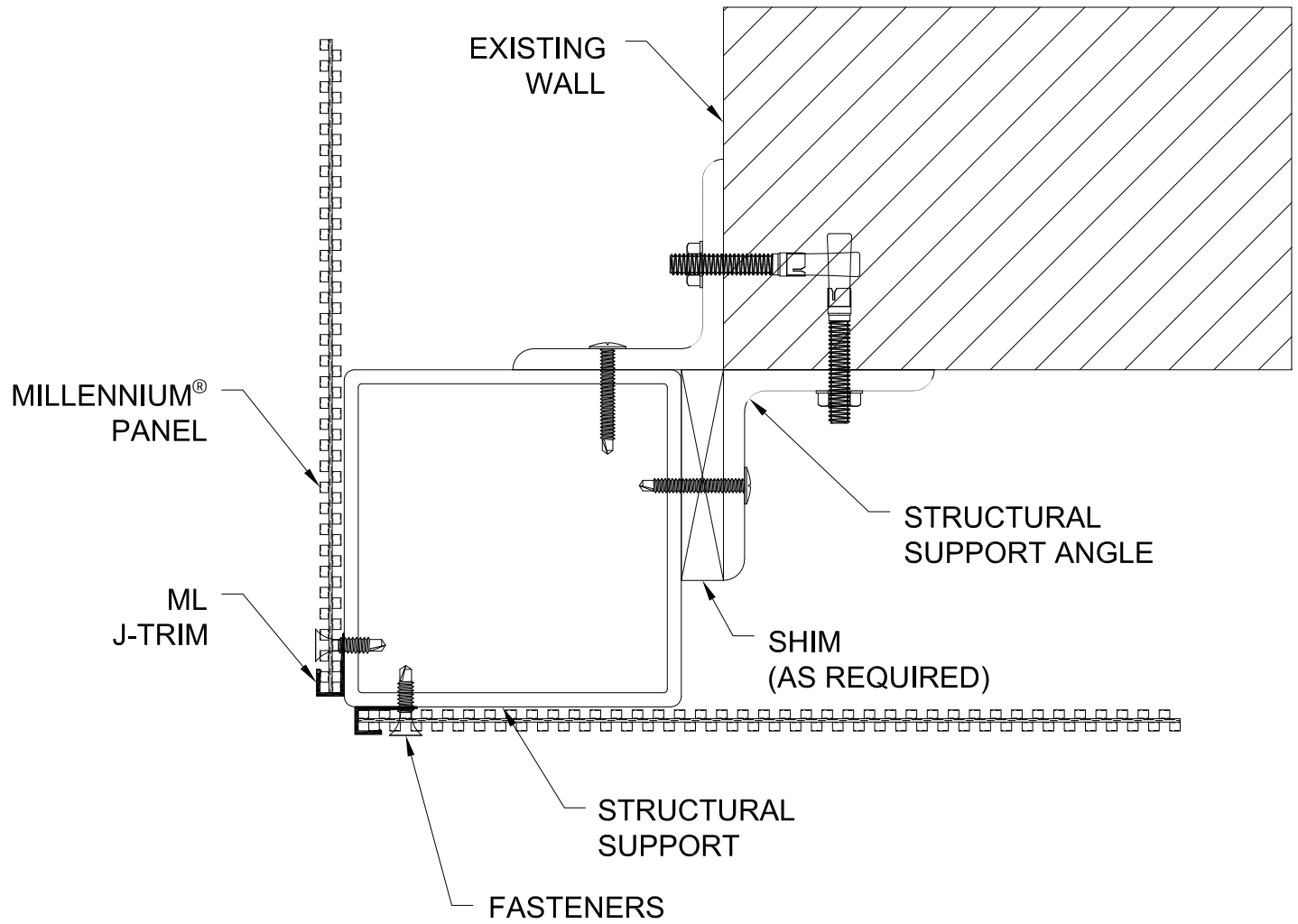


MILLENNIUM® IS A REGISTERED
TRADEMARK OF GORDON, INC.

GORDON®
ARCHITECTURAL+ENGINEERED SOLUTIONS

5023 Hazel Jones Rd.
Bossier City, LA 71111
800.747.8954
GORDON-INC.COM
sales@gordon-inc.com

SCREEN WALLS
MILLENNIUM - J-TRIM
WALL SECTION - VERTICAL END TRIM

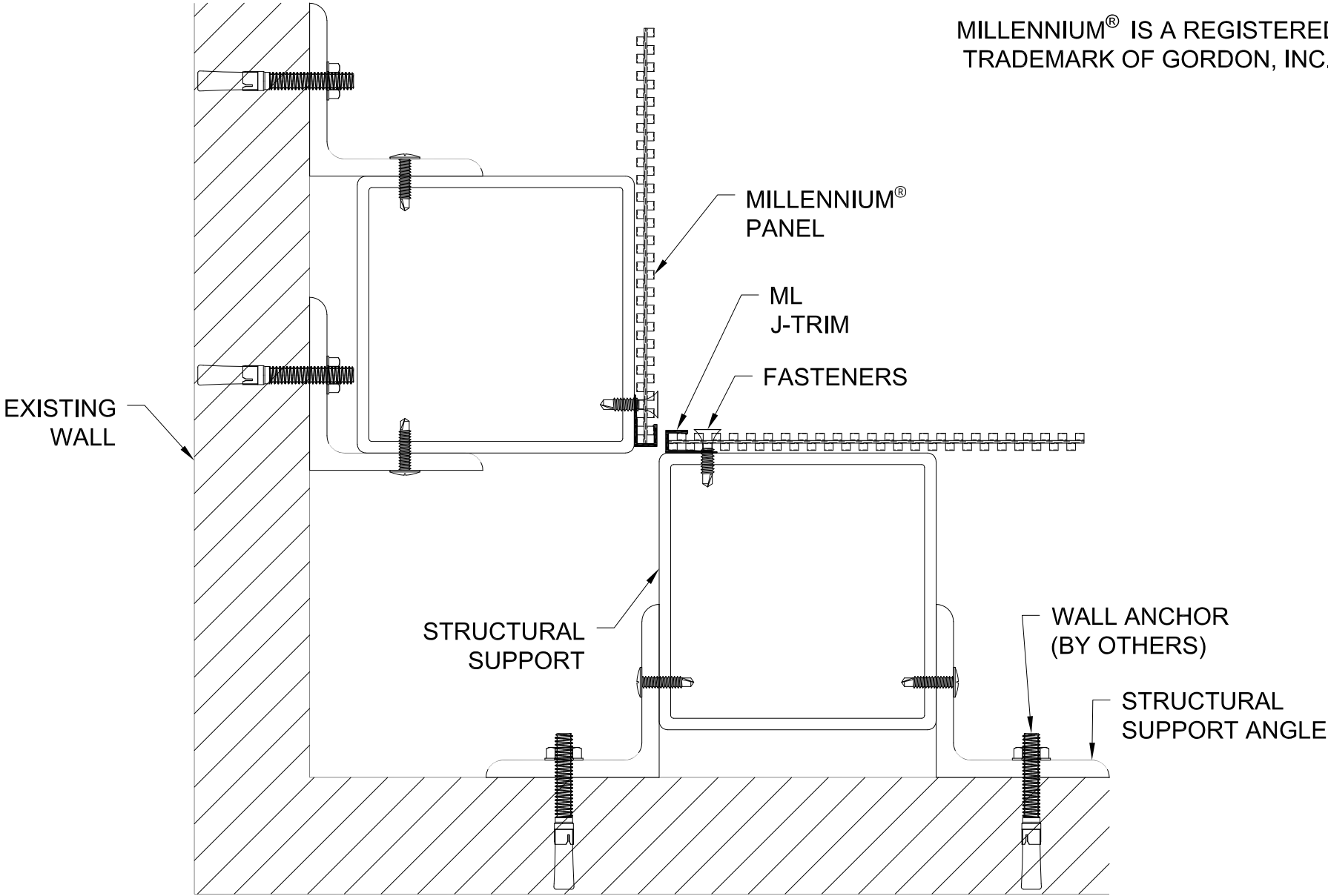


MILLENNIUM® IS A REGISTERED TRADEMARK OF GORDON, INC.

GORDON® ARCHITECTURAL+ENGINEERED SOLUTIONS
 5023 Hazel Jones Rd.
 Bossier City, LA 71111
 800.747.8954
 GORDON-INC.COM
 sales@gordon-inc.com

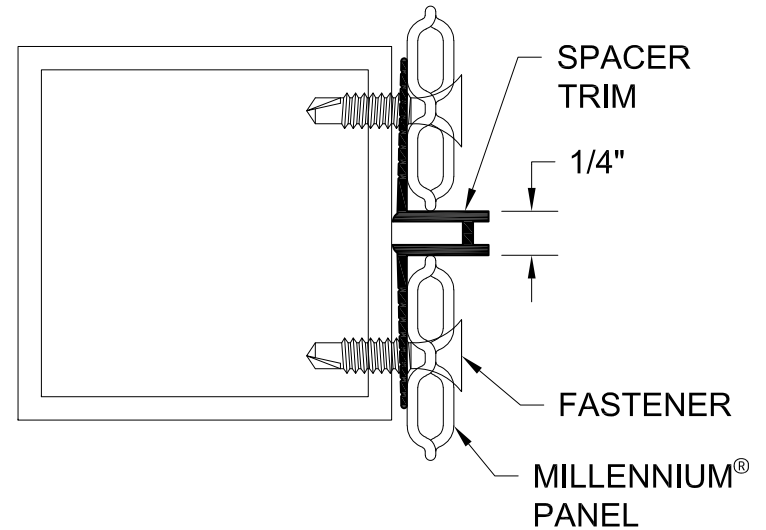
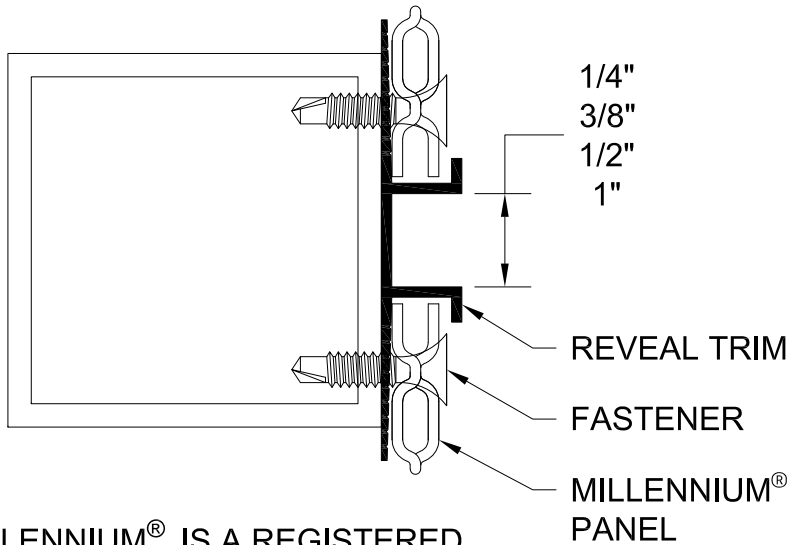
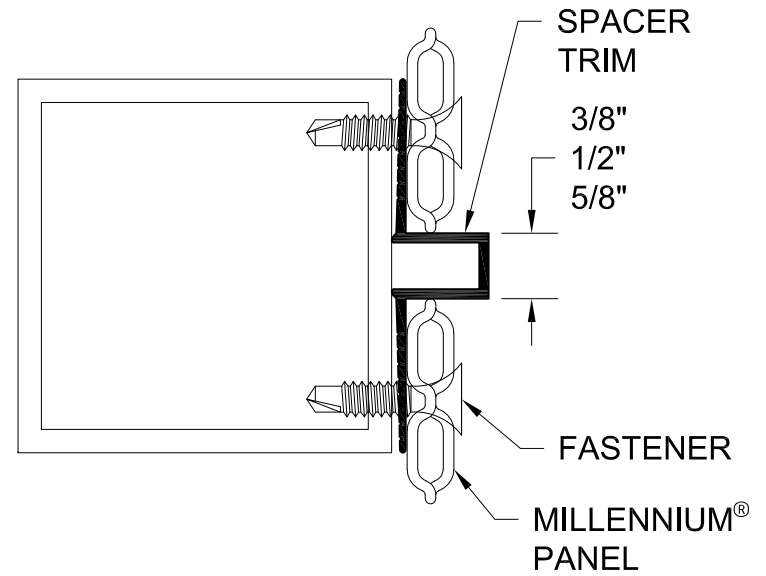
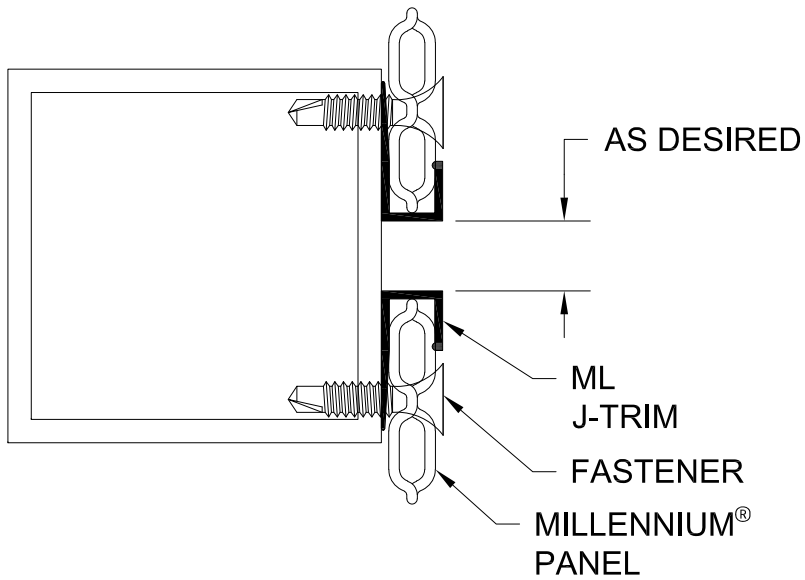
SCREEN WALLS
 MILLENNIUM - J-TRIM
 OUTSIDE CORNER

MILLENNIUM® IS A REGISTERED TRADEMARK OF GORDON, INC.



GORDON® ARCHITECTURAL+ENGINEERED SOLUTIONS
5023 Hazel Jones Rd.
Bossier City, LA 71111
800.747.8954
GORDON-INC.COM
sales@gordon-inc.com

SCREEN WALLS MILLENNIUM - J-TRIM INSIDE CORNER



MILLENNIUM® IS A REGISTERED TRADEMARK OF GORDON, INC.

GORDON®
ARCHITECTURAL+ENGINEERED SOLUTIONS

5023 Hazel Jones Rd.
Bossier City, LA 71111
800.747.8954
GORDON-INC.COM
sales@gordon-inc.com

SCREEN WALLS
MILLENNIUM - J-TRIM
ADDITIONAL REVEAL TRIM OPTIONS