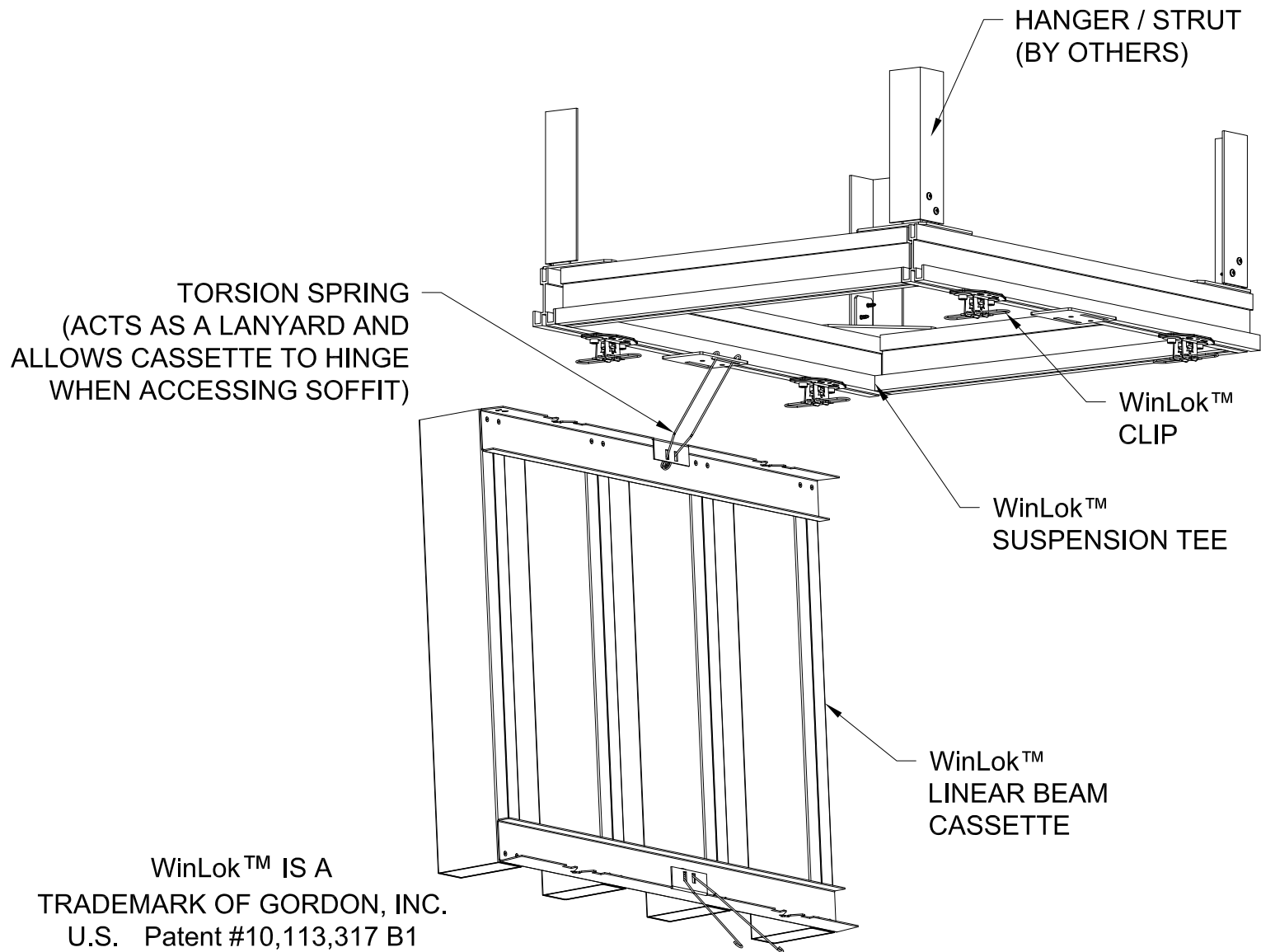


WinLok™ IS A  
TRADEMARK OF GORDON, INC.  
U.S. Patent #10,113,317 B1

**GORDON**®  
ARCHITECTURAL+ENGINEERED SOLUTIONS

5023 Hazel Jones Rd.  
Bossier City, LA 71111  
800.747.8954  
GORDON-INC.COM  
sales@gordon-inc.com

SOFFITS  
WINLOK BEAM BAFFLE CASSETTE  
ISOMETRIC ASSEMBLY

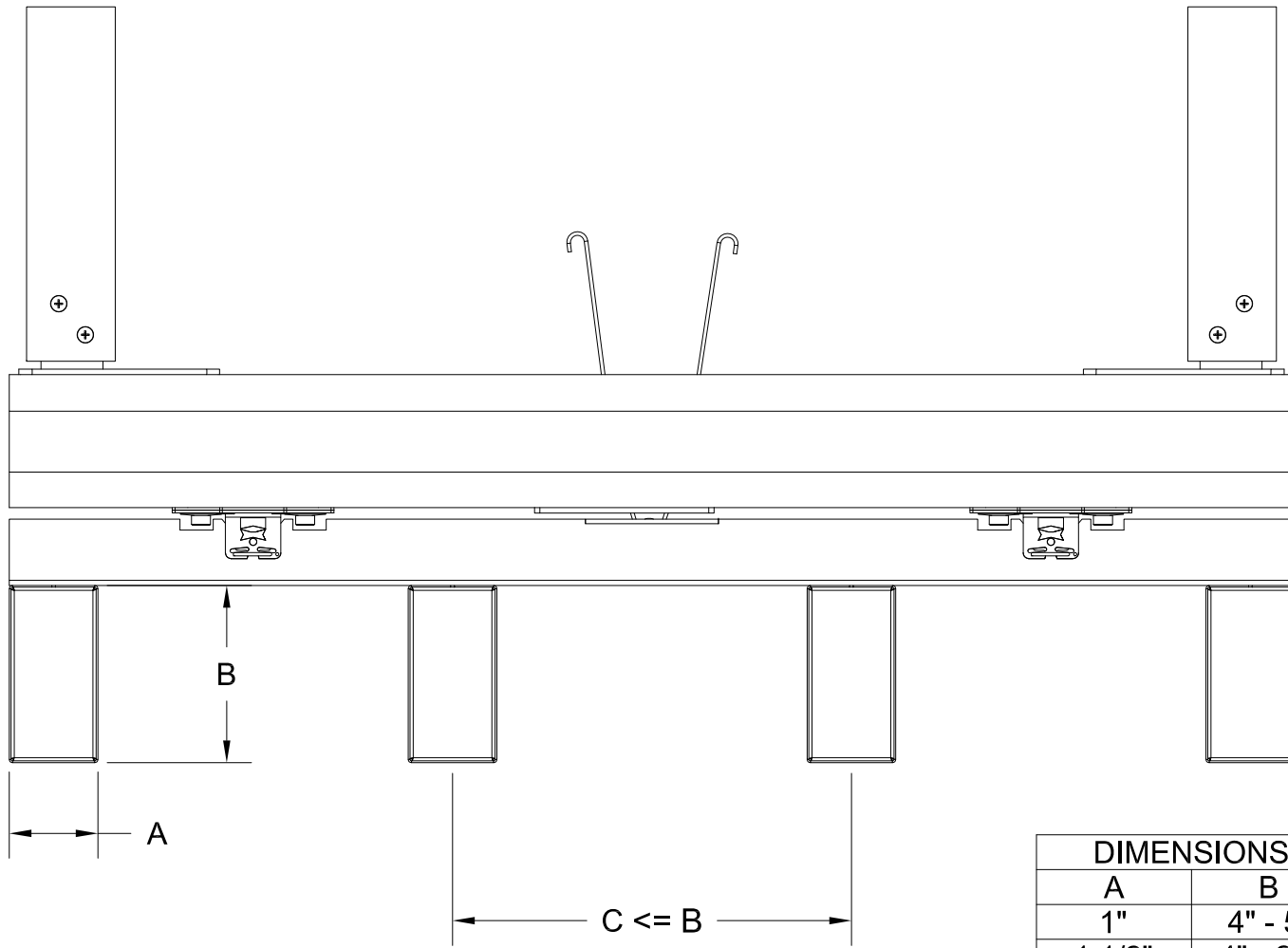


WinLok™ IS A  
TRADEMARK OF GORDON, INC.  
U.S. Patent #10,113,317 B1

**GORDON**®  
ARCHITECTURAL+ENGINEERED SOLUTIONS

5023 Hazel Jones Rd.  
Bossier City, LA 71111  
800.747.8954  
GORDON-INC.COM  
sales@gordon-inc.com

**SOFFITS**  
**WINLOK BEAM BAFFLE CASSETTE**  
**ISOMETRIC ASSEMBLY - HINGED**



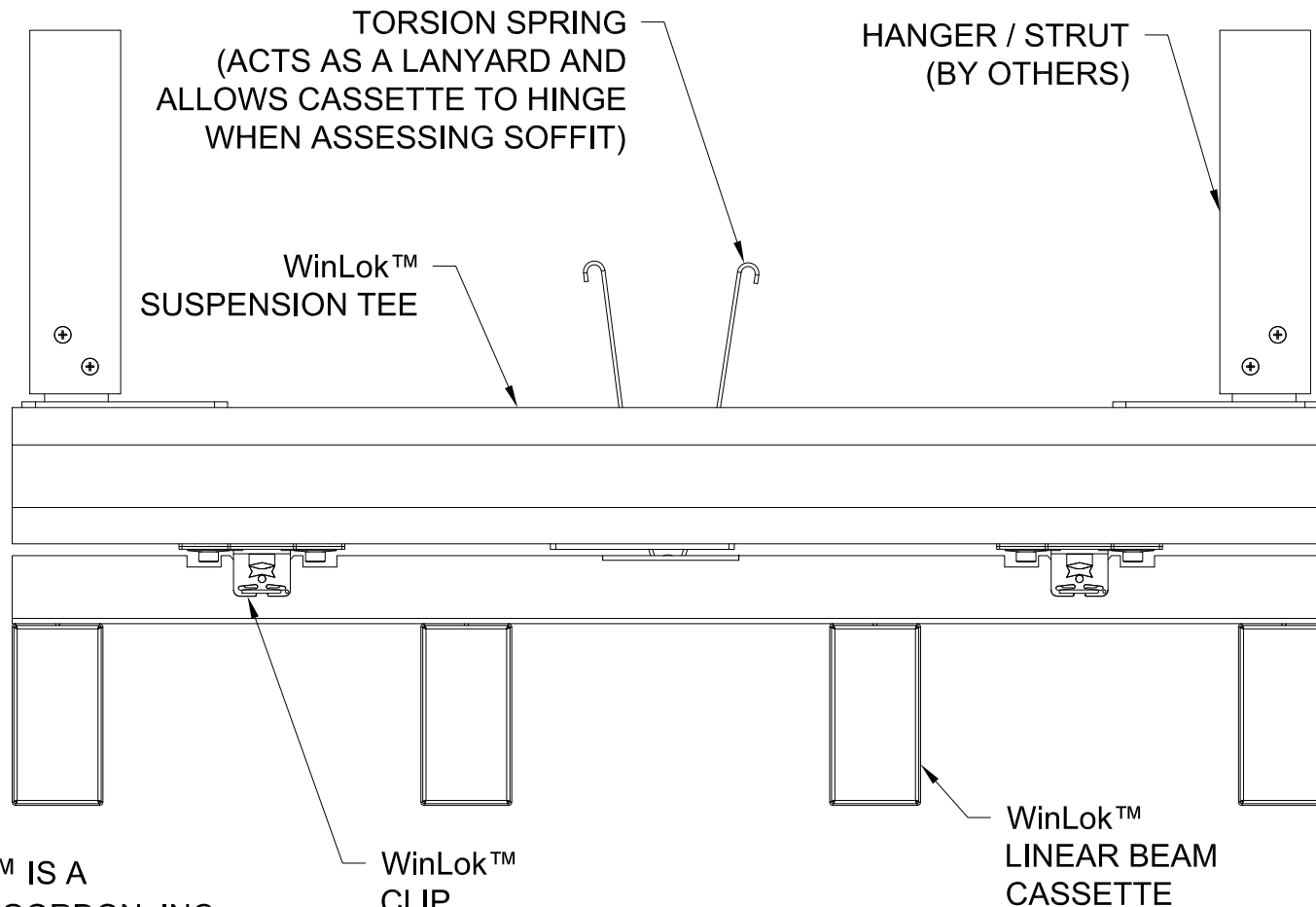
C ≤ B  
(RECOMMENDED)

WinLok™ IS A  
TRADEMARK OF GORDON, INC.  
U.S. Patent #10,113,317 B1

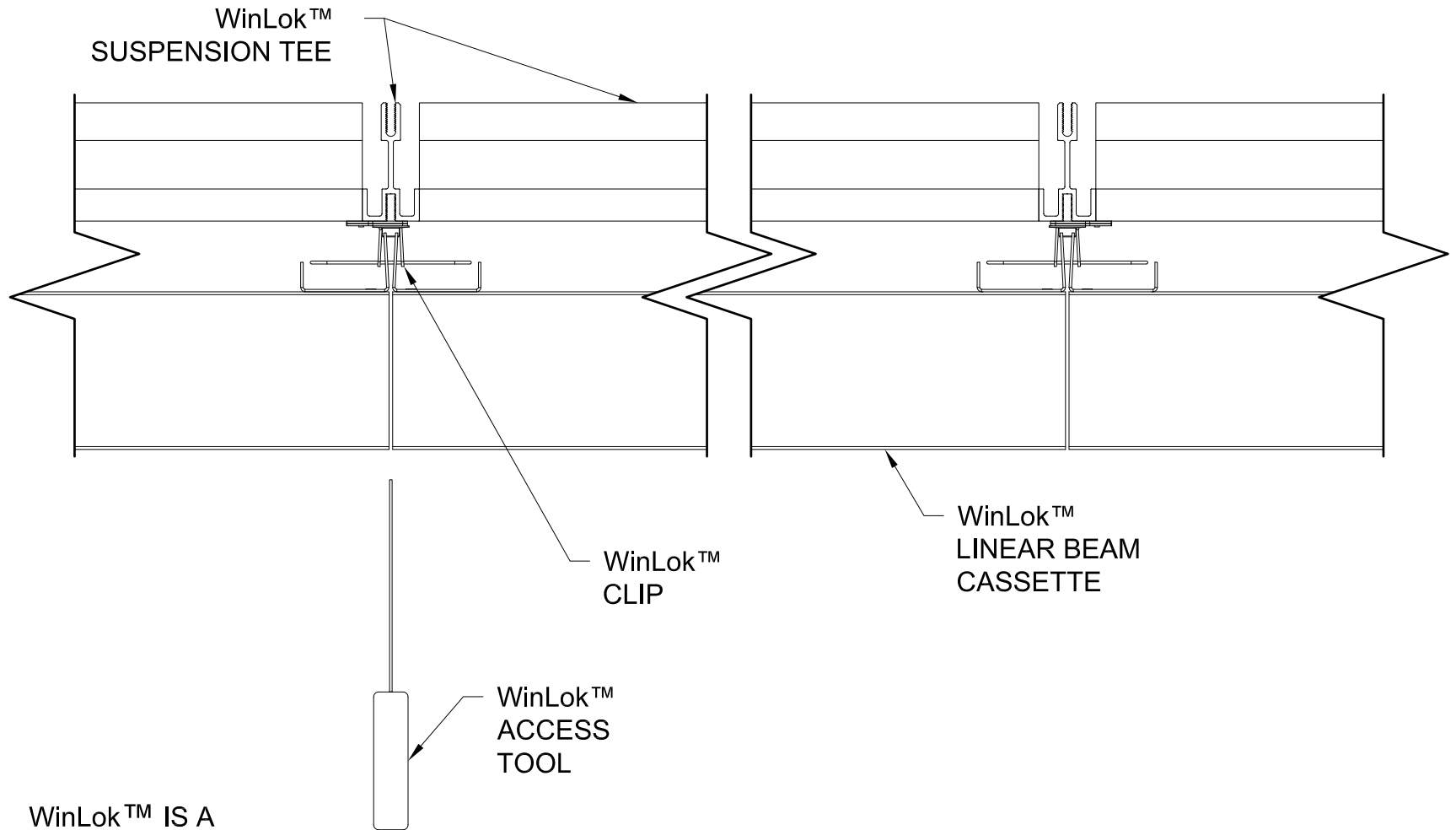
| DIMENSIONS |          |
|------------|----------|
| A          | B        |
| 1"         | 4" - 5"  |
| 1 1/2"     | 4" - 20" |
| 2"         | 4" - 20" |
| 2 1/2"     | 4" - 20" |
| 3"         | 4" - 20" |
| 3 1/2"     | 4" - 20" |
| 4"         | 4" - 20" |

**GORDON**® ARCHITECTURAL+ENGINEERED SOLUTIONS  
 5023 Hazel Jones Rd.  
 Bossier City, LA 71111  
 800.747.8954  
 GORDON-INC.COM  
 sales@gordon-inc.com

**SOFFITS  
 WINLOK BEAM BAFFLE CASSETTE  
 SIZE AND SPACING DETAIL**



WinLok™ IS A  
 TRADEMARK OF GORDON, INC.  
 U.S. Patent #10,113,317 B1

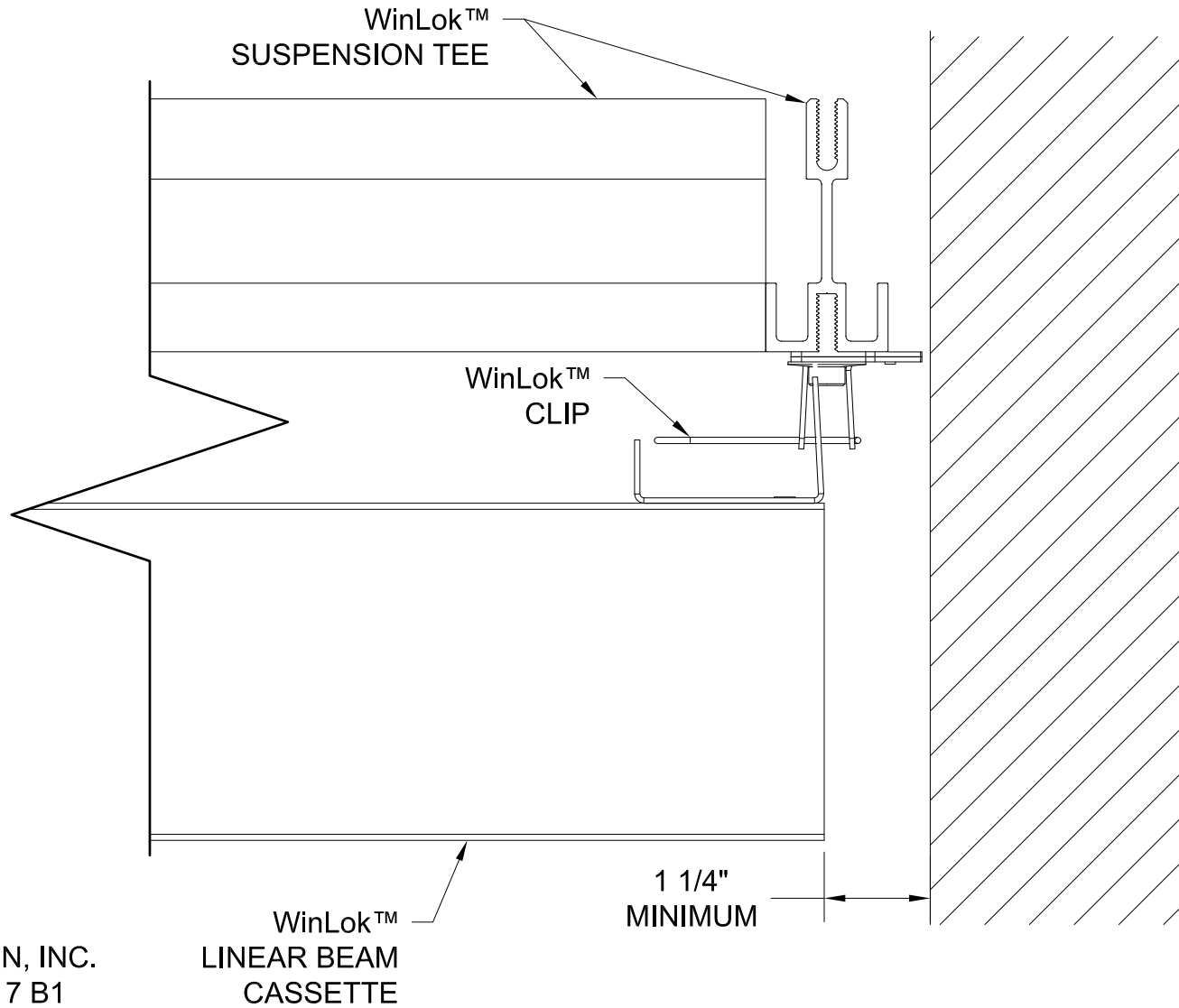


WinLok™ IS A  
 TRADEMARK OF GORDON, INC.  
 U.S. Patent #10,113,317 B1

**GORDON**®  
 ARCHITECTURAL+ENGINEERED SOLUTIONS

5023 Hazel Jones Rd.  
 Bossier City, LA 71111  
 800.747.8954  
 GORDON-INC.COM  
 sales@gordon-inc.com

**SOFFITS**  
**WINLOK BEAM BAFFLE CASSETTE**  
**ACCESS TOOL DETAIL**



WinLok™ IS A  
 TRADEMARK OF GORDON, INC.  
 U.S. Patent #10,113,317 B1

**GORDON**®  
 ARCHITECTURAL+ENGINEERED SOLUTIONS

5023 Hazel Jones Rd.  
 Bossier City, LA 71111  
 800.747.8954  
 GORDON-INC.COM  
 sales@gordon-inc.com

**SOFFITS**  
**WINLOK BEAM BAFFLE CASSETTE**  
**PERIMETER DETAIL**