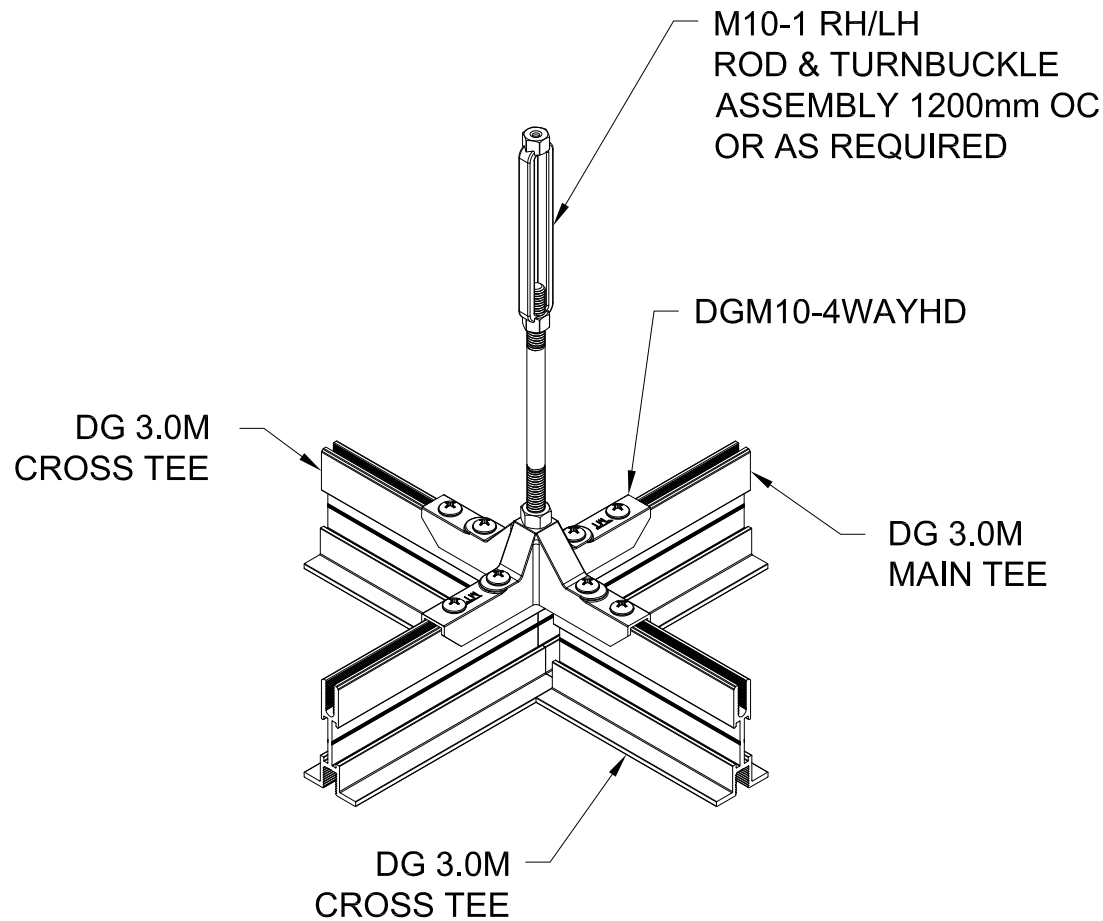
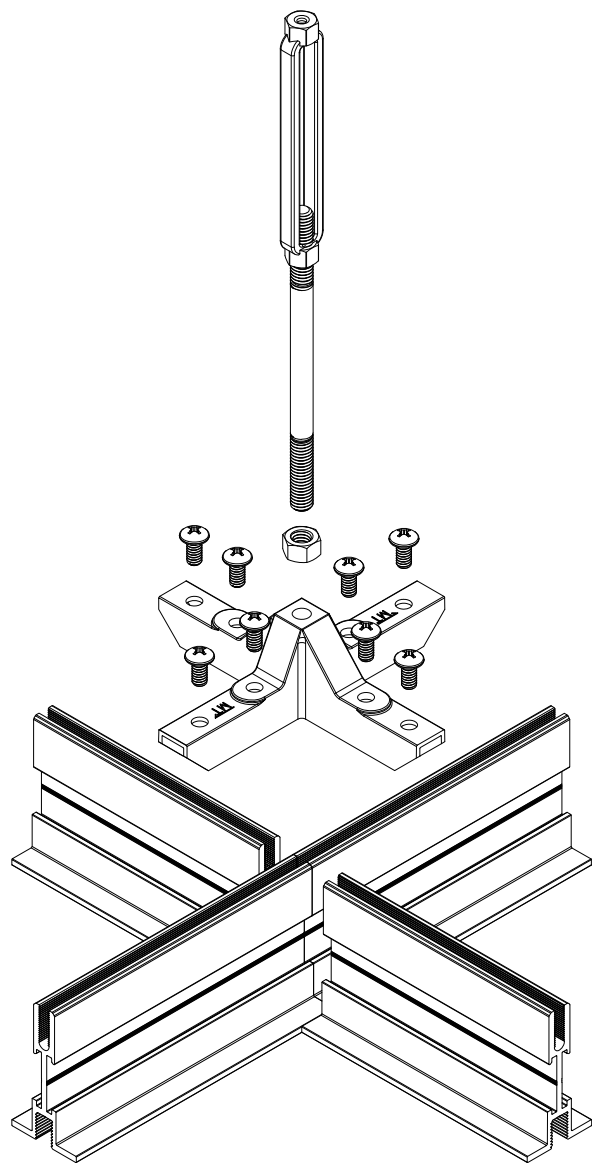


FIXTURES DIMENSIONS
 ARE TYPICALLY MODULE SIZE LESS 22mm (MAXIMUM O.D.)

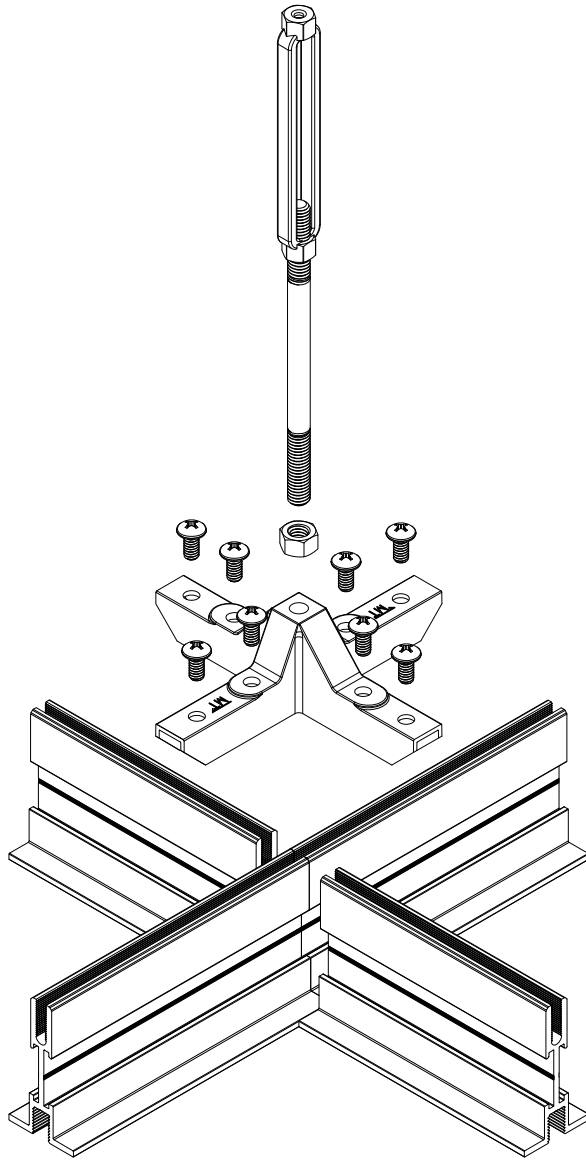




GORDON®
ARCHITECTURAL+ENGINEERED SOLUTIONS

5023 Hazel Jones Rd.
Bossier City, LA 71111
800.747.8954
GORDON-INC.COM
sales@gordon-inc.com

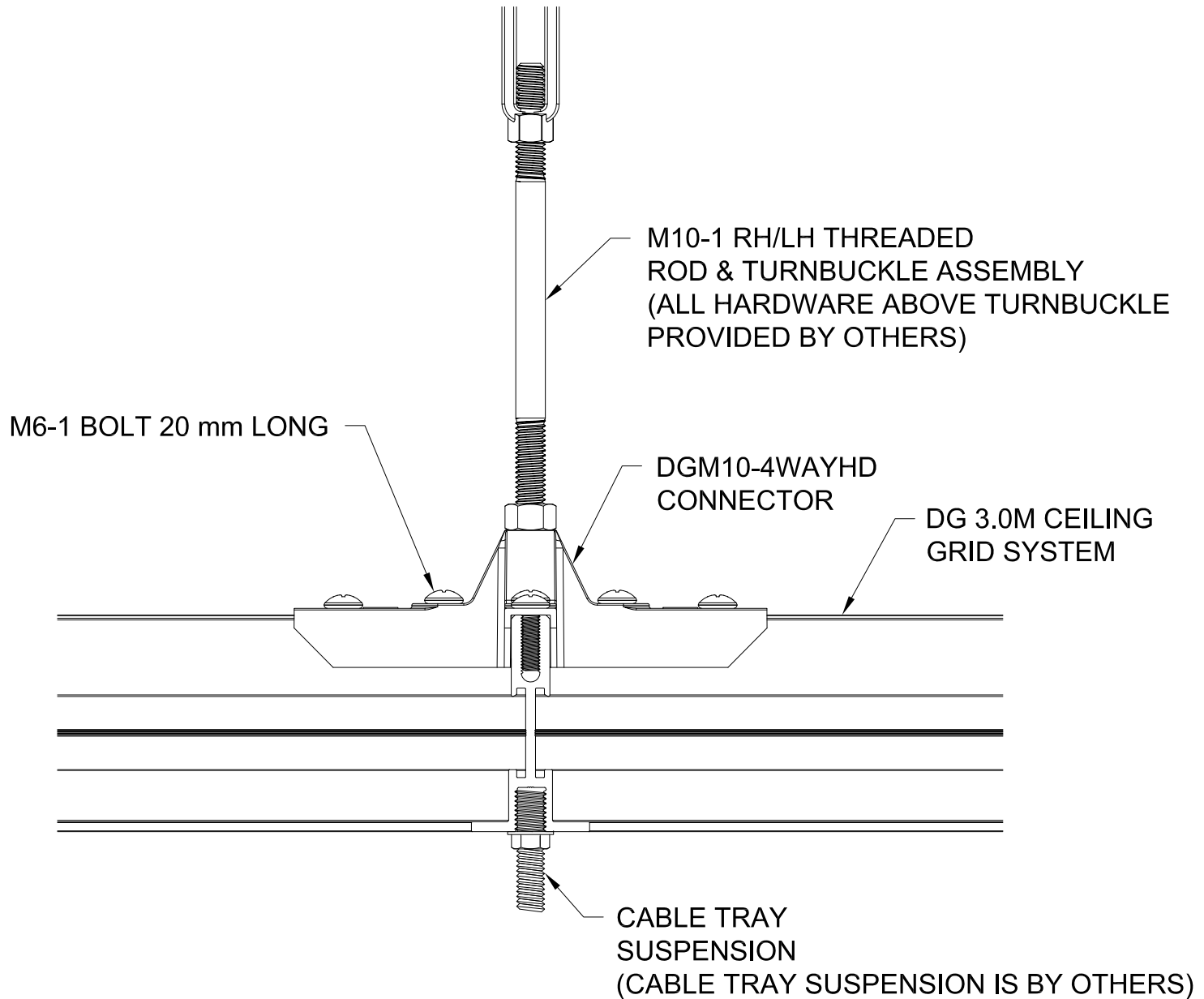
DATA CENTER CEILINGS
STRUCTURAL GRID – DG 3.0M
4-WAY CONNECTOR

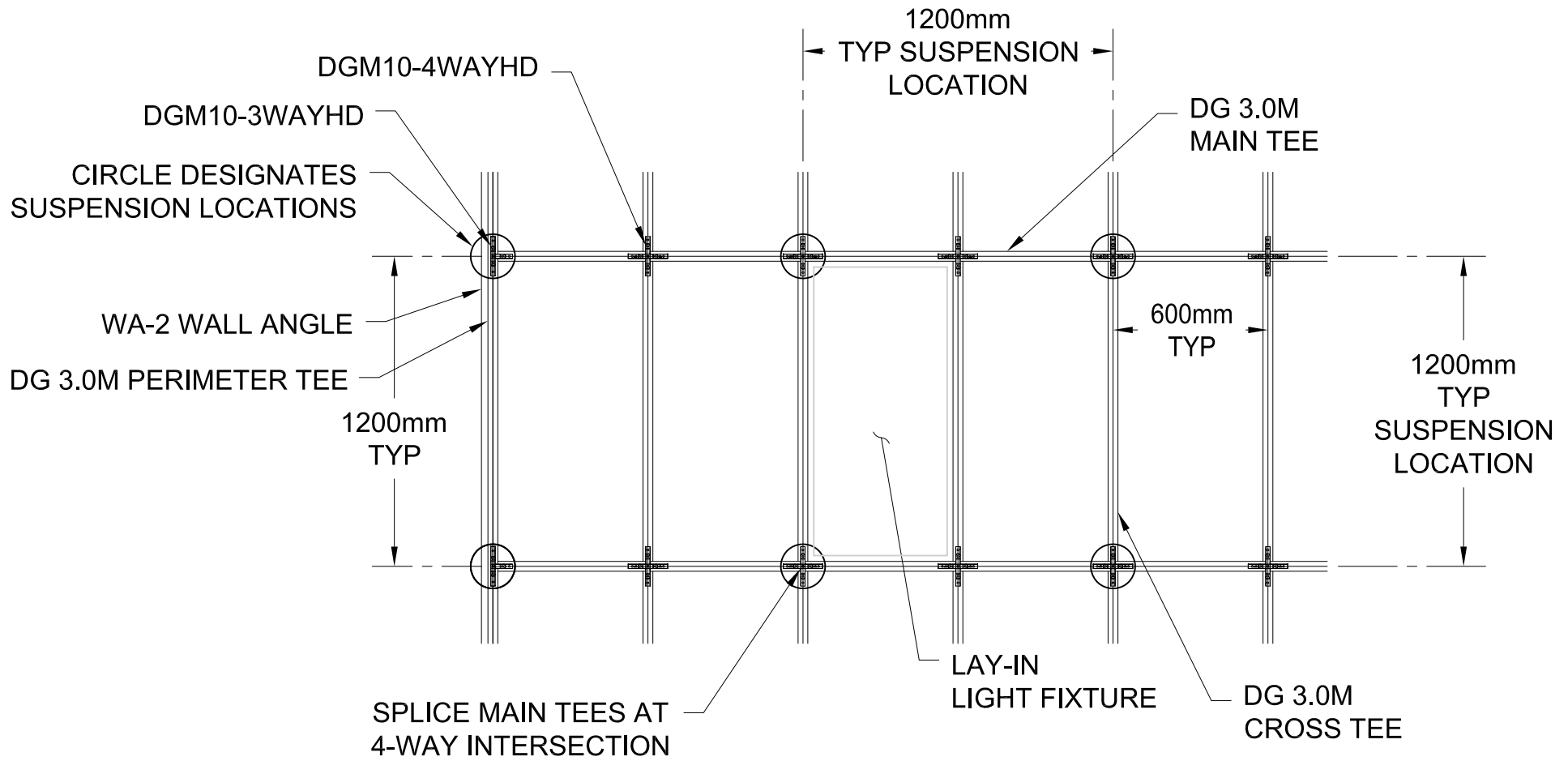


GORDON®
ARCHITECTURAL+ENGINEERED SOLUTIONS

5023 Hazel Jones Rd.
Bossier City, LA 71111
800.747.8954
GORDON-INC.COM
sales@gordon-inc.com

DATA CENTER CEILINGS
STRUCTURAL GRID – DG 3.0M
MTS CONNECTOR

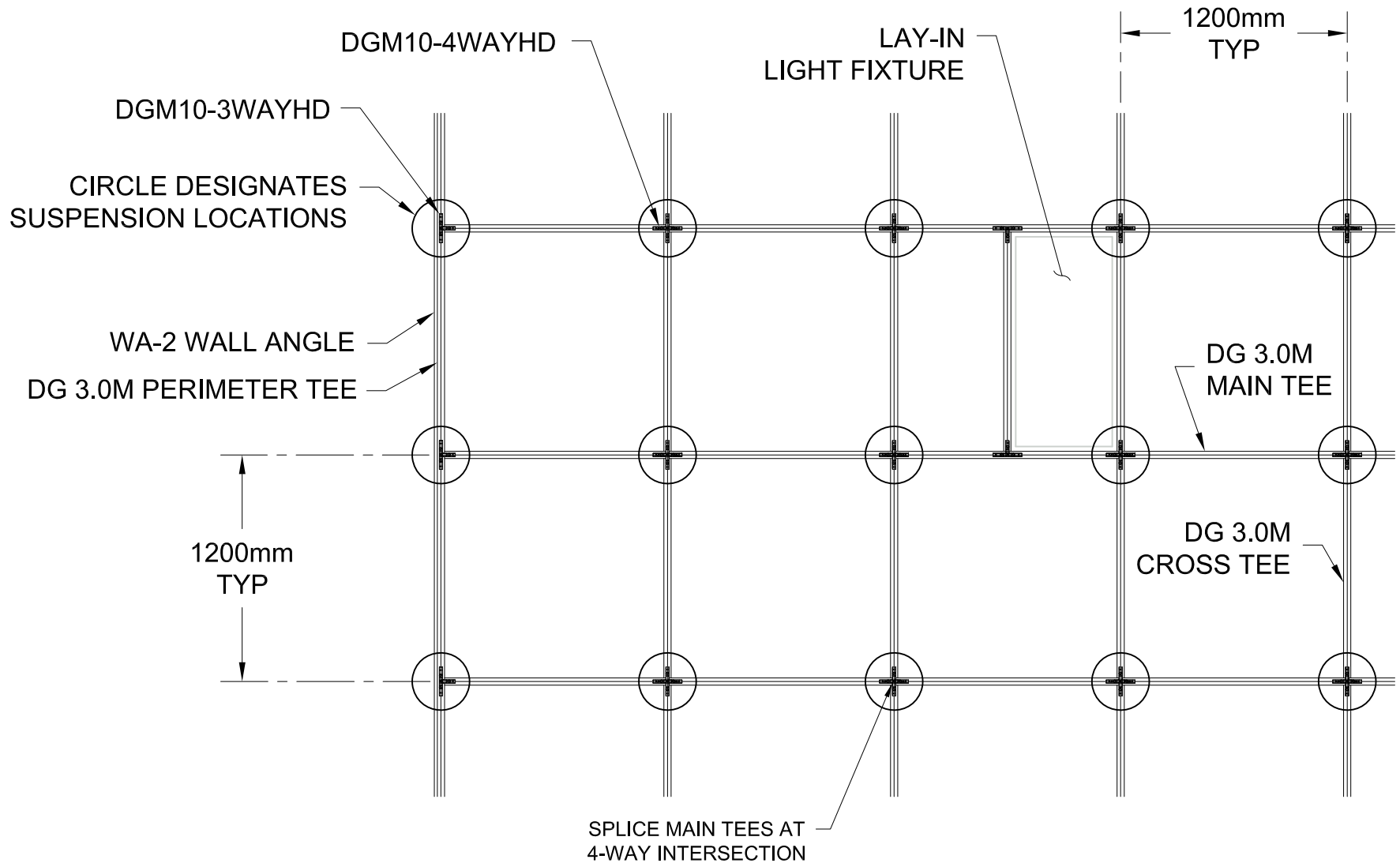




TYPICAL GRID PLAN

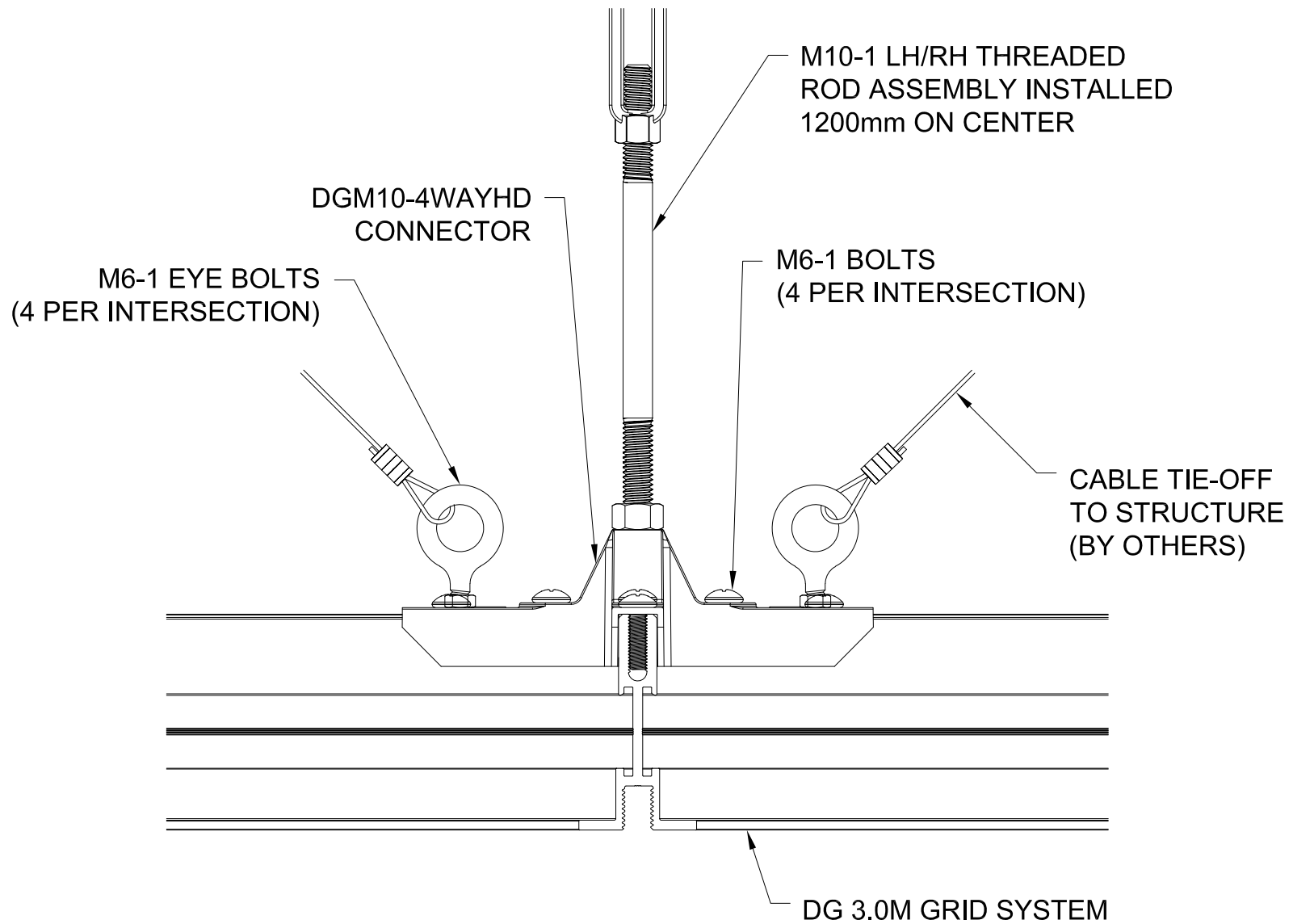
NOT TO SCALE

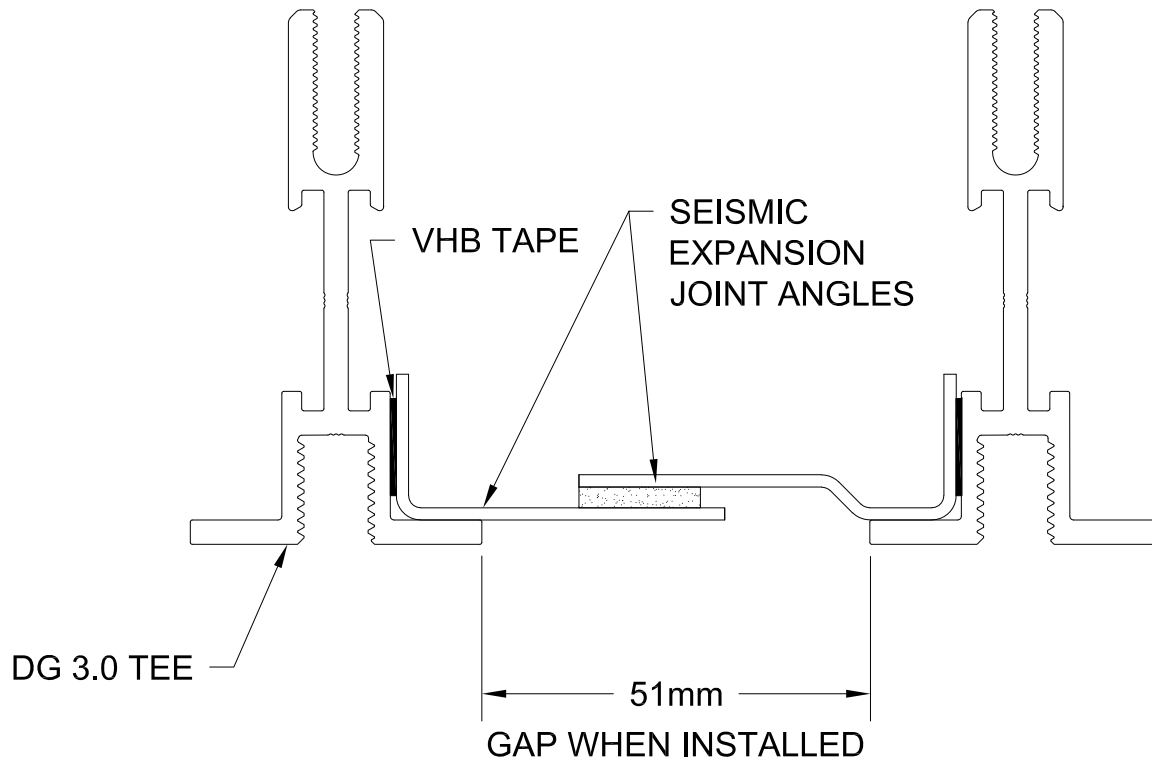
CONTACT GORDON DATA CENTER PRODUCTS DIVISION
 FOR INFORMATION ON PANEL OPTIONS AND DataLUME LIGHT
 FIXTURES SIZED TO FIT THIS GRID MODULE

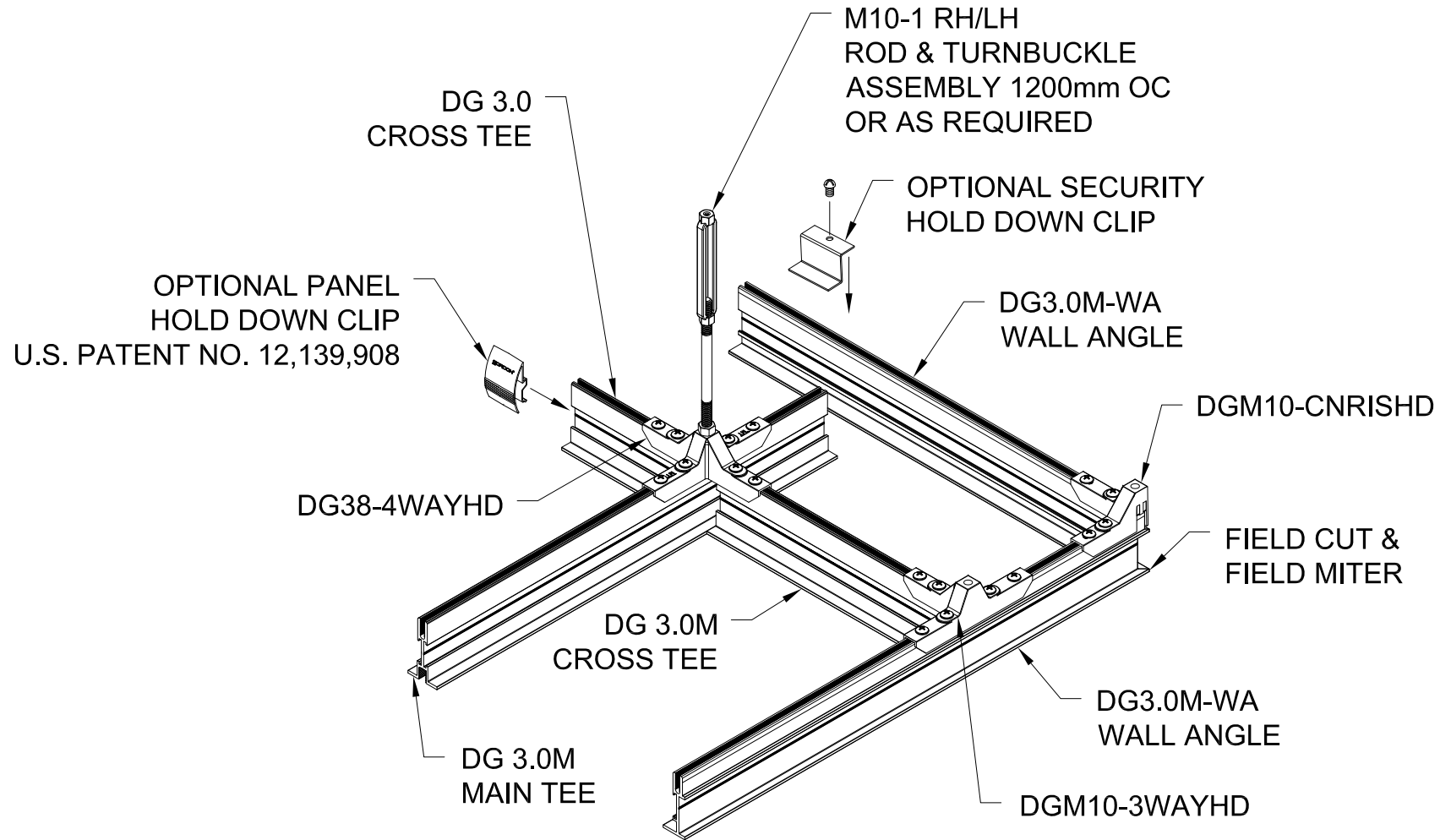


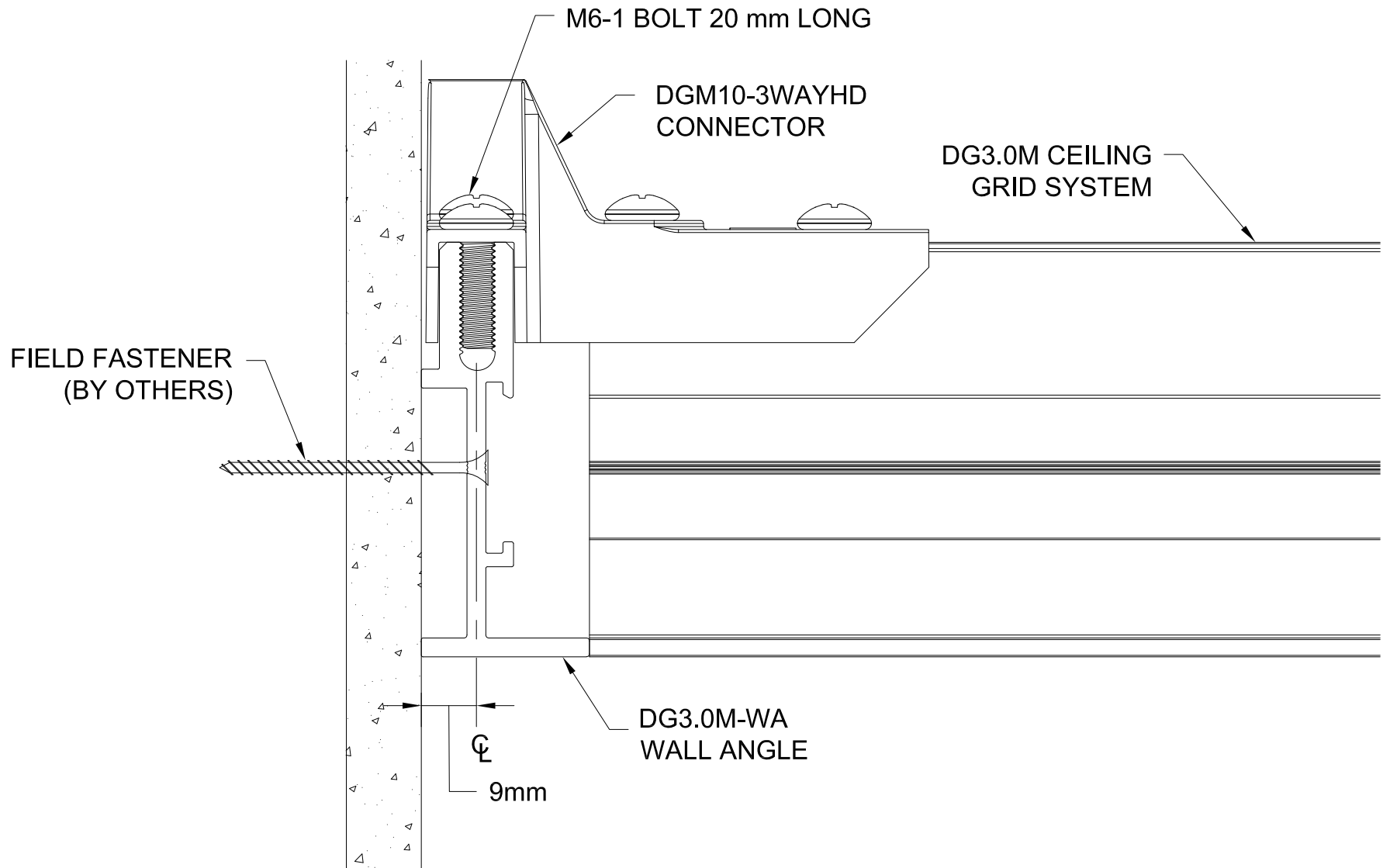
TYPICAL GRID PLAN
NOT TO SCALE

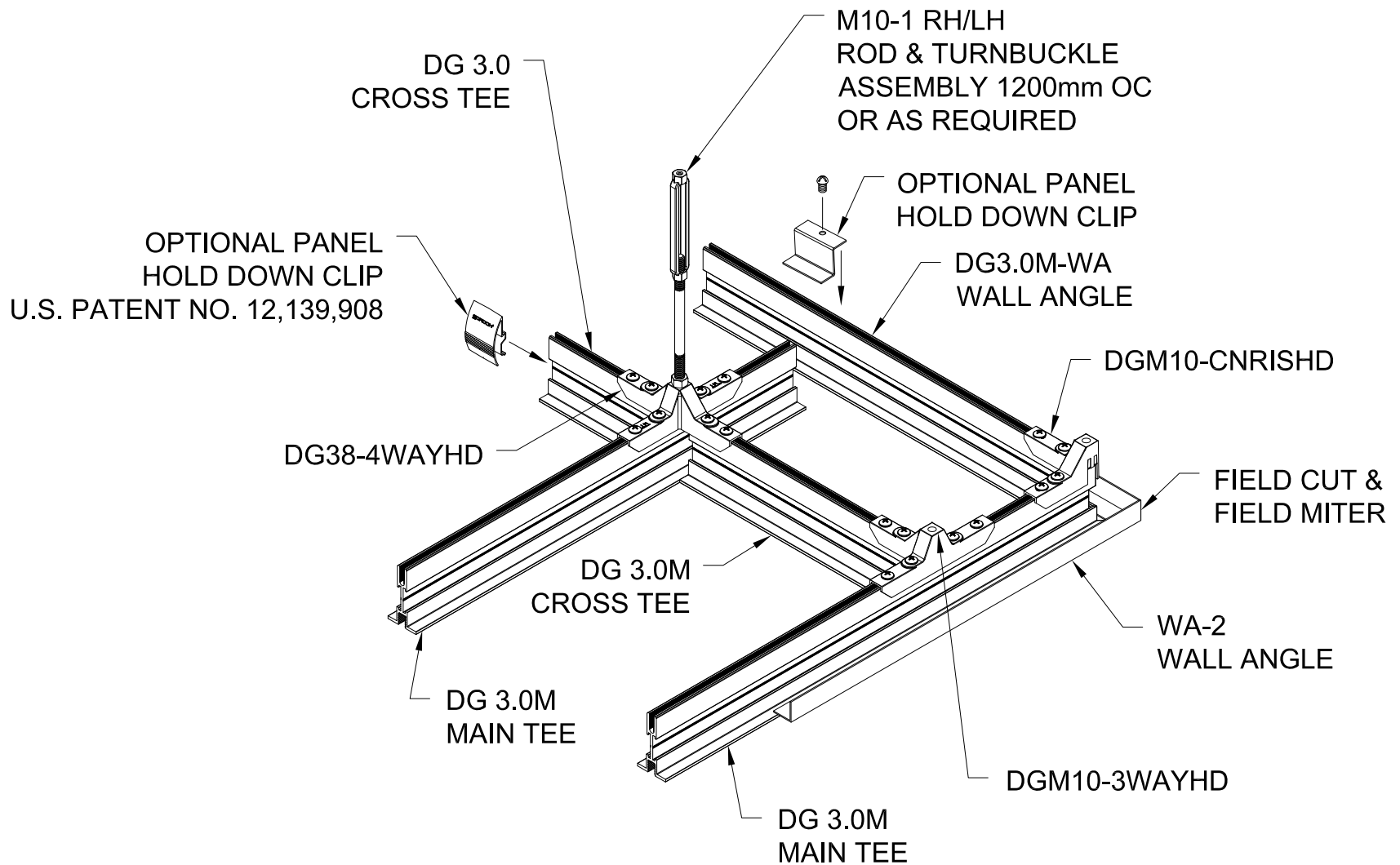
CONTACT GORDON DATA CENTER PRODUCTS DIVISION
FOR INFORMATION ON PANEL OPTIONS AND DataLUME LIGHT
FIXTURES SIZED TO FIT THIS GRID MODULE

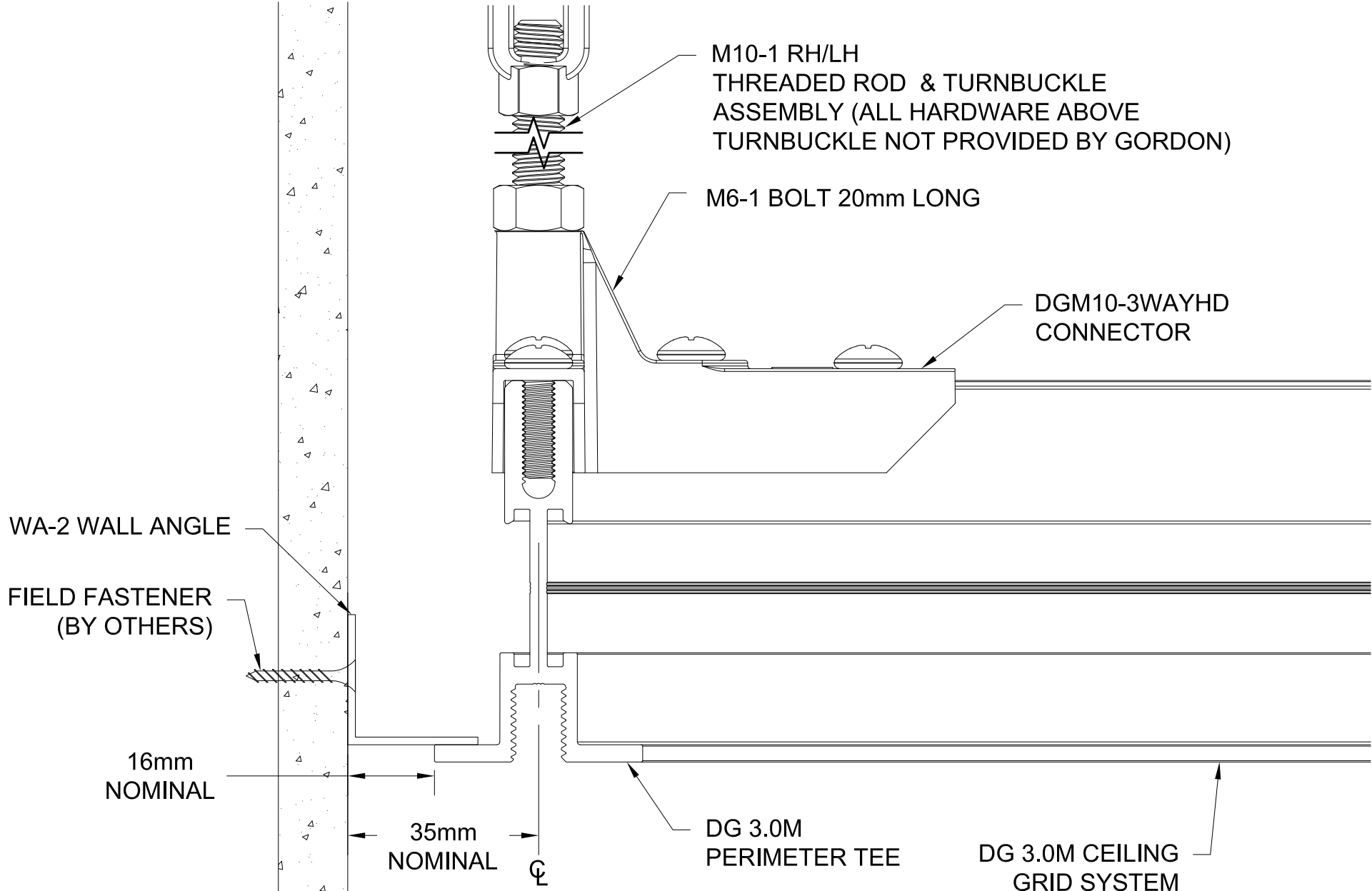


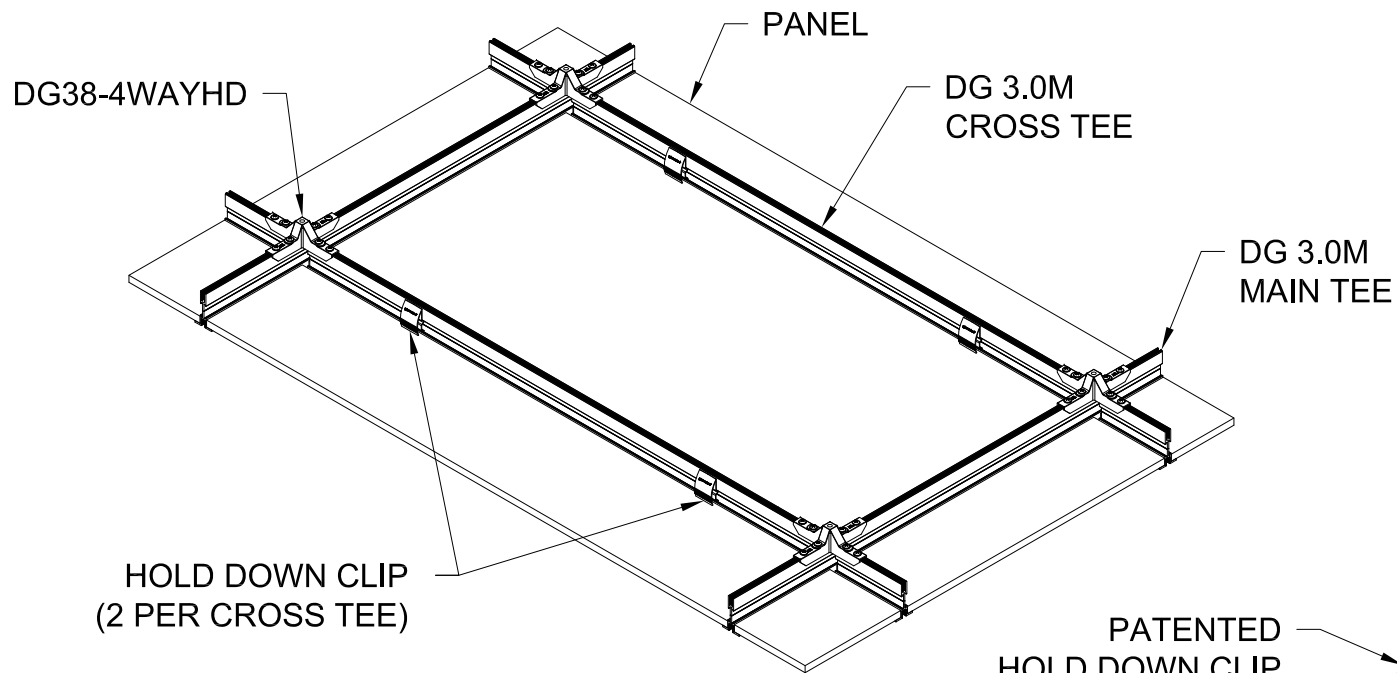












HOLD DOWN CLIP ISOMETRIC

NOT TO SCALE

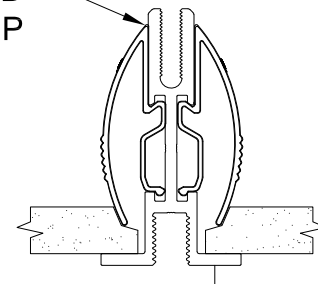
GORDON'S DATA CENTER HOLD DOWN CLIPS ARE DESIGNED TO APPLY ENOUGH PRESSURE TO OVERCOME THE AIR DIFFERENTIAL BETWEEN THE DATA HALL AND THE PLENUM THUS REDUCING TILE LIFT, WHILE STILL ALLOWING THE TILES TO BE REMOVED ONCE ENOUGH FORCE IS APPLIED.

THE CLIPS WORK WITH THE FOLLOWING TILE SIZES:

WORKING SIZE LIMITS: 20MM TO 25MM LESS THAN MODULE SIZE

WORKING THICKNESS LIMITS: 12MM TO 20MM

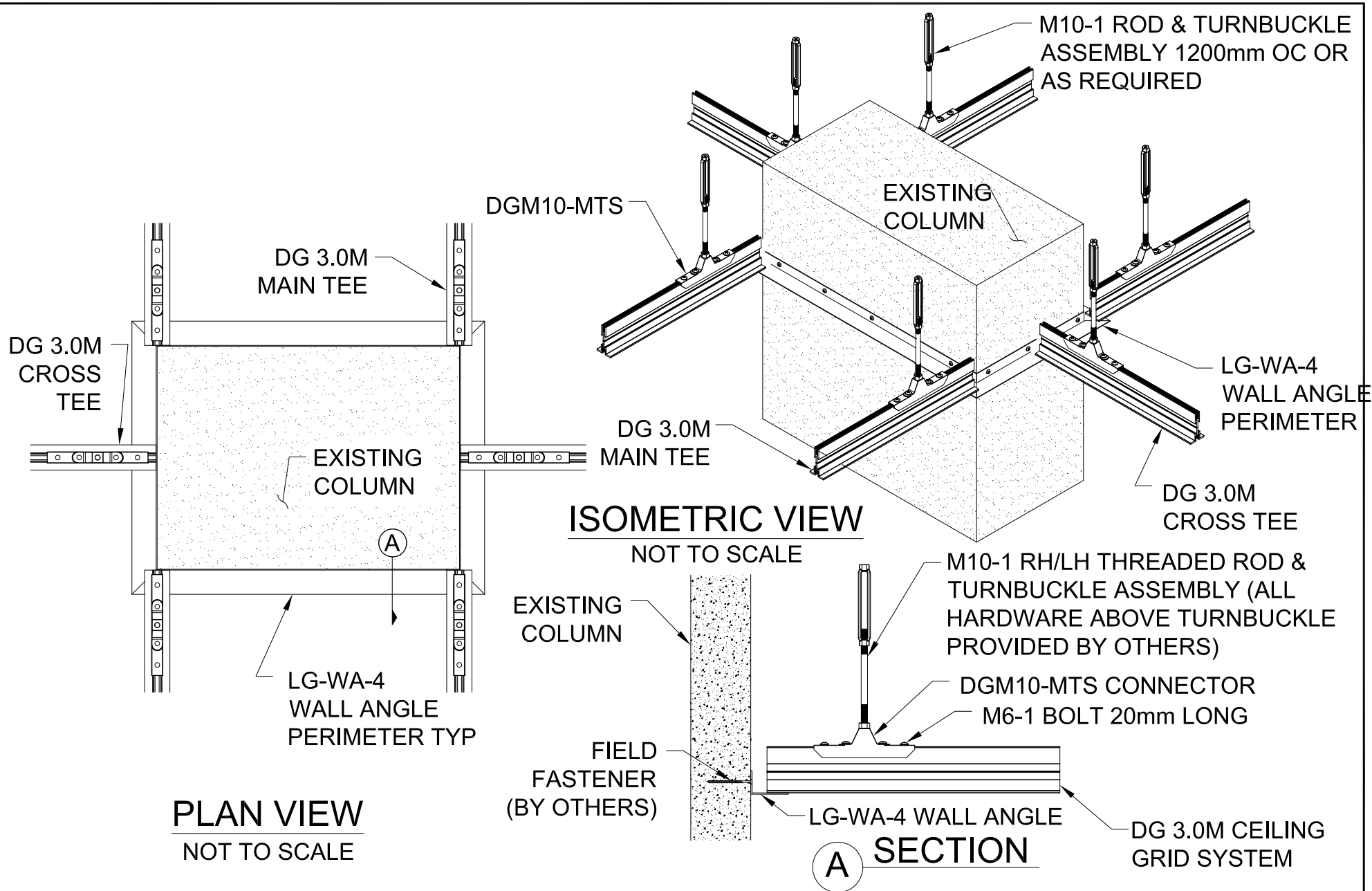
PATENTED
HOLD DOWN CLIP

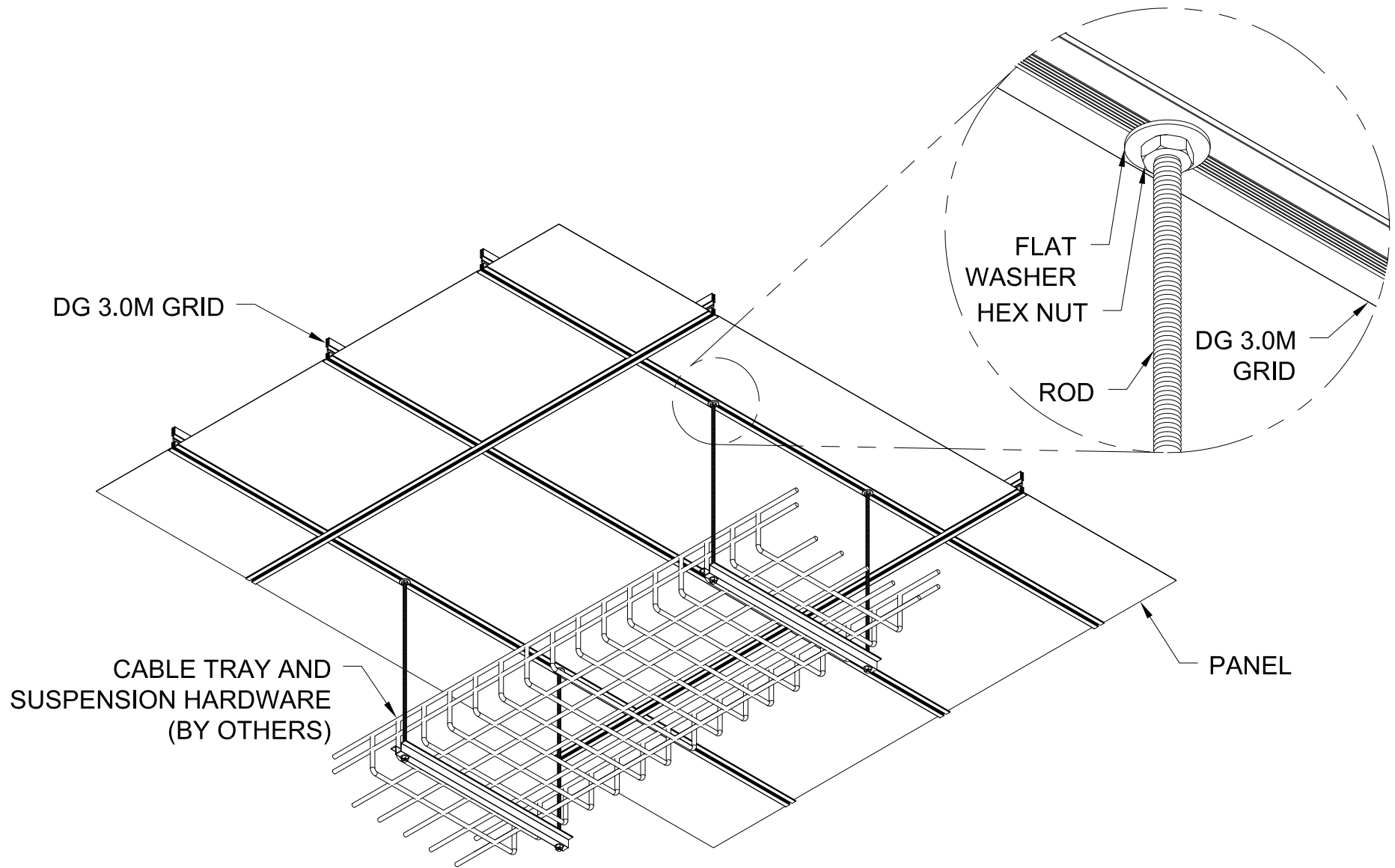


SECTION AT HOLD DOWN CLIP

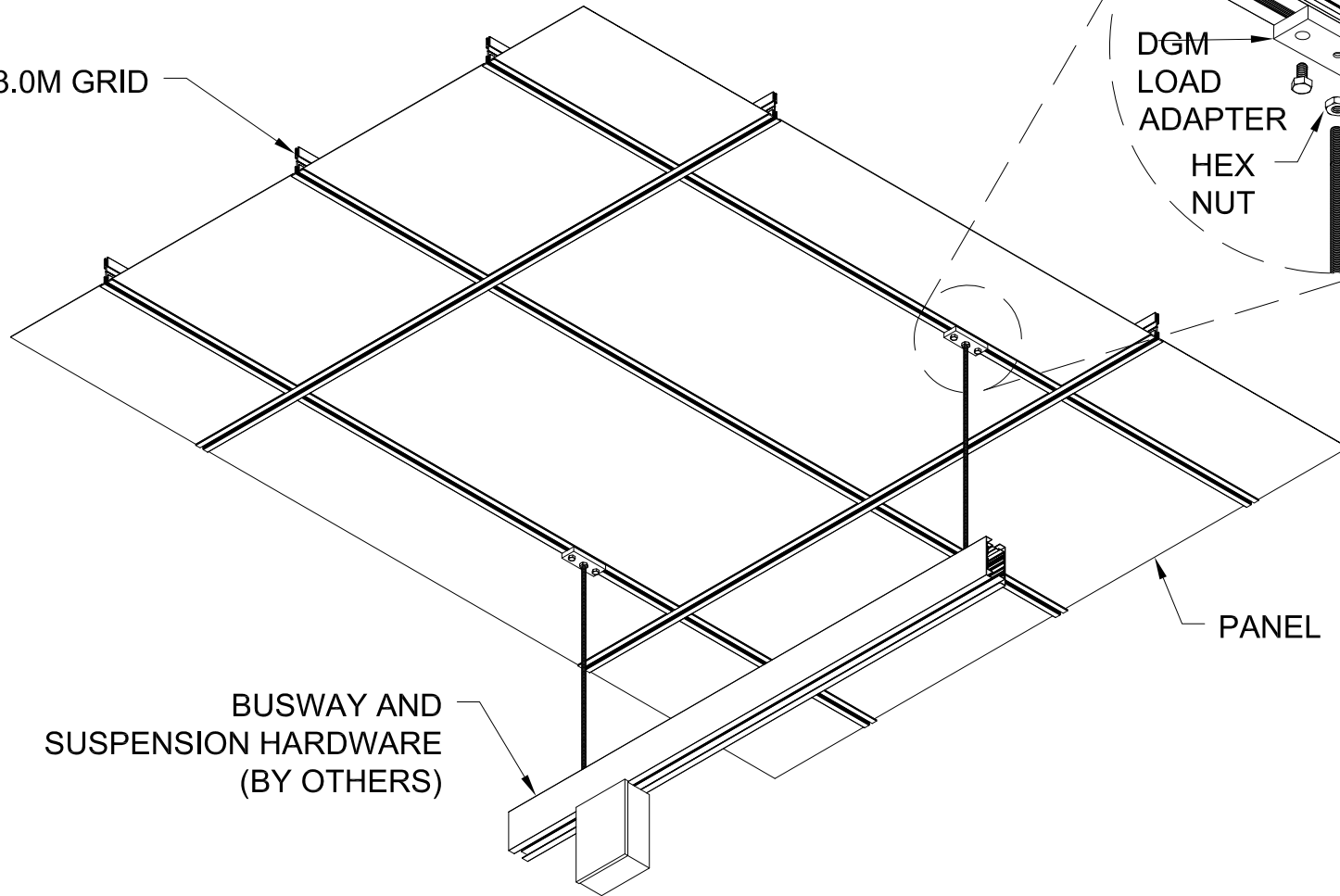
NOT TO SCALE

U.S. PATENT NO. 12,139,908





DG 3.0M GRID



DGM
LOAD
ADAPTER

HEX
NUT

HEX
BOLTS

ROD

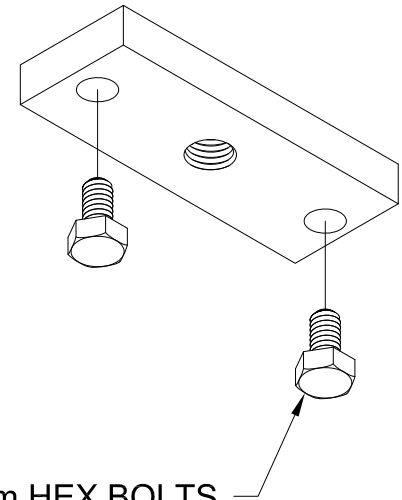
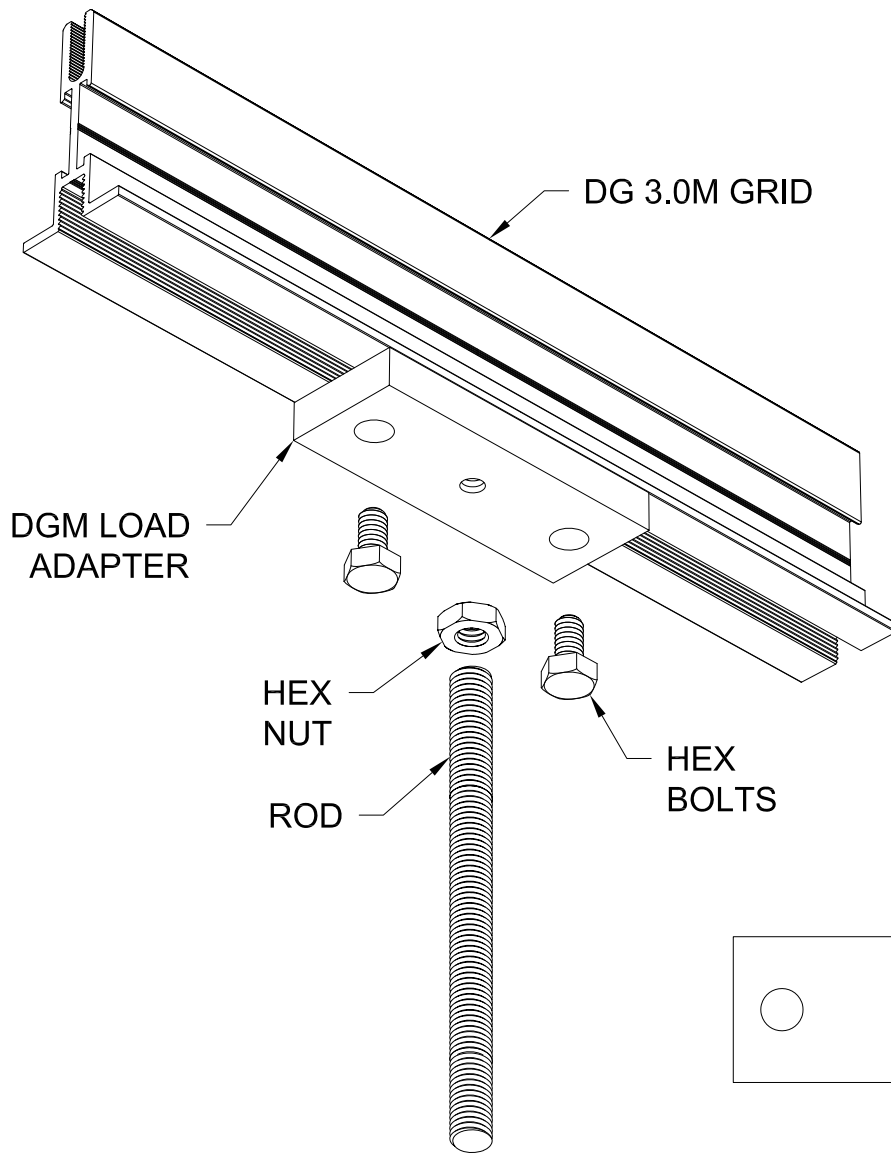
PANEL

BUSWAY AND
SUSPENSION
HARDWARE
(BY OTHERS)

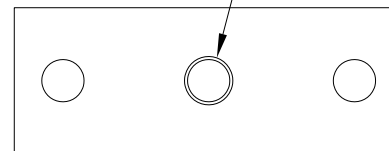
GORDON®
ARCHITECTURAL+ENGINEERED SOLUTIONS

5023 Hazel Jones Rd.
Bossier City, LA 71111
800.747.8954
GORDON-INC.COM
sales@gordon-inc.com

DATA CENTER CEILINGS
STRUCTURAL GRID – DG 3.0M
BUSWAY INSTALLATION WITH LOAD ADAPTER



TAPPED HOLE:
M10-1.5, M12-1.75, OR OTHER SPECIFIED SIZES



USE WHERE POINT LOADS
EXCEED 317 kg

