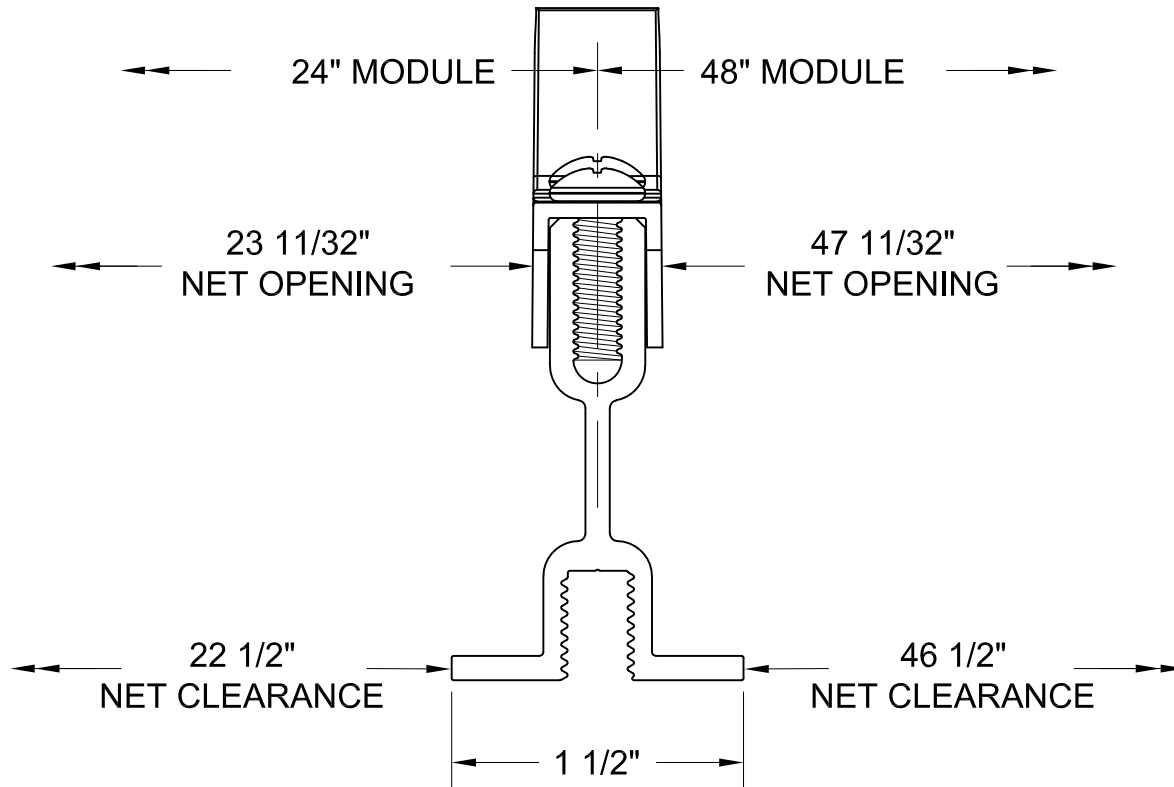


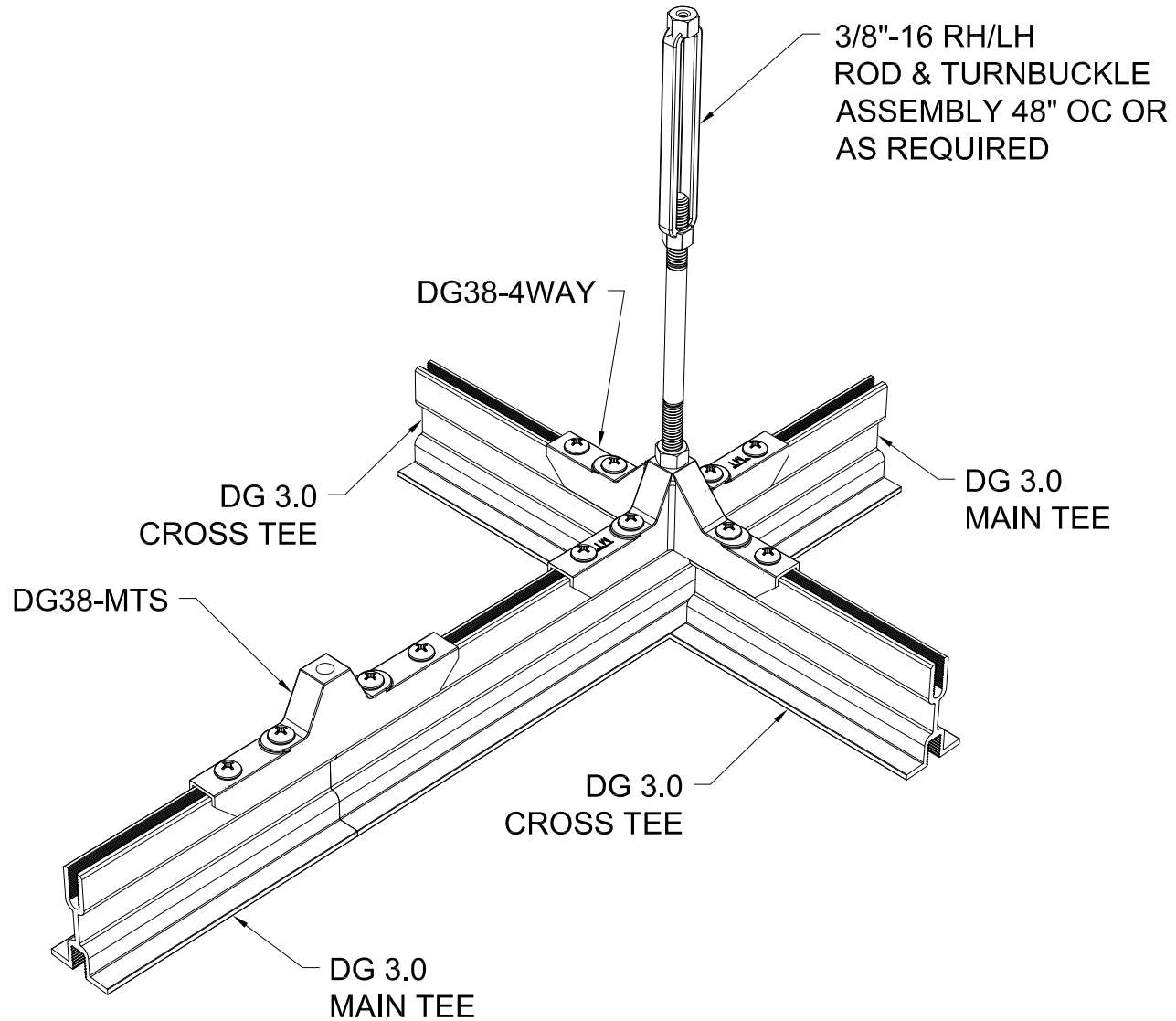
GORDON®
ARCHITECTURAL+ENGINEERED SOLUTIONS

5023 Hazel Jones Rd.
Bossier City, LA 71111
800.747.8954
GORDON-INC.COM
sales@gordon-inc.com

DATA CENTER CEILINGS
STRUCTURAL GRID – DG 3.0
MAIN / CROSS TEE



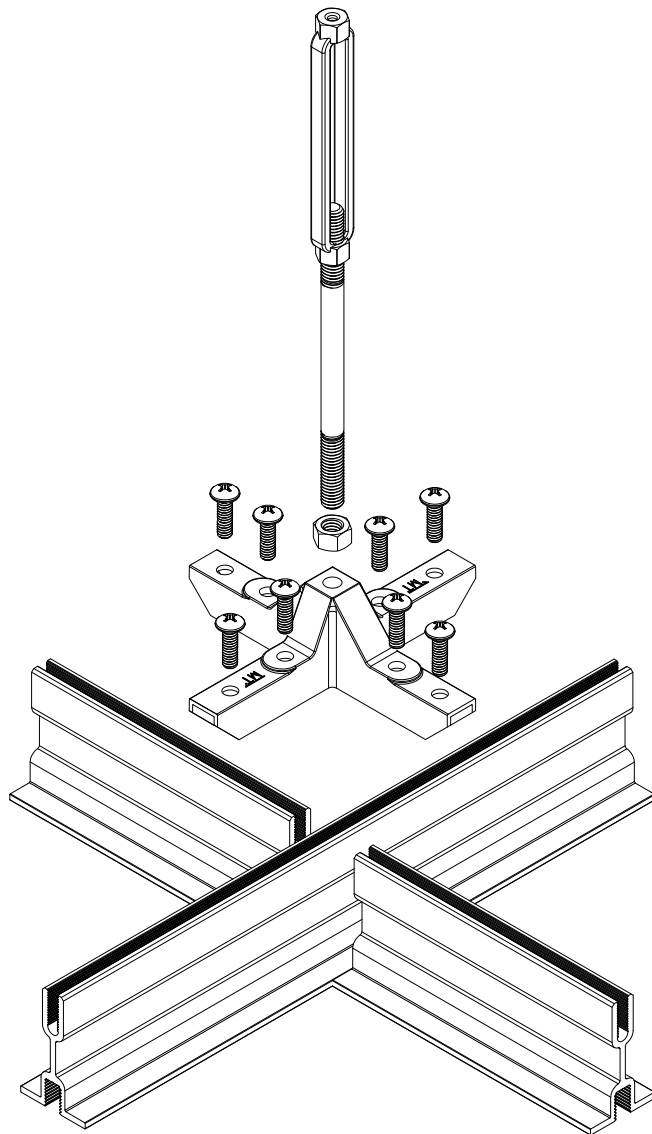
FIXTURES DIMENSIONS
 ARE TYPICALLY MODULE SIZE LESS 7/8" (MAXIMUM O.D.)



GORDON®
ARCHITECTURAL+ENGINEERED SOLUTIONS

5023 Hazel Jones Rd.
Bossier City, LA 71111
800.747.8954
GORDON-INC.COM
sales@gordon-inc.com

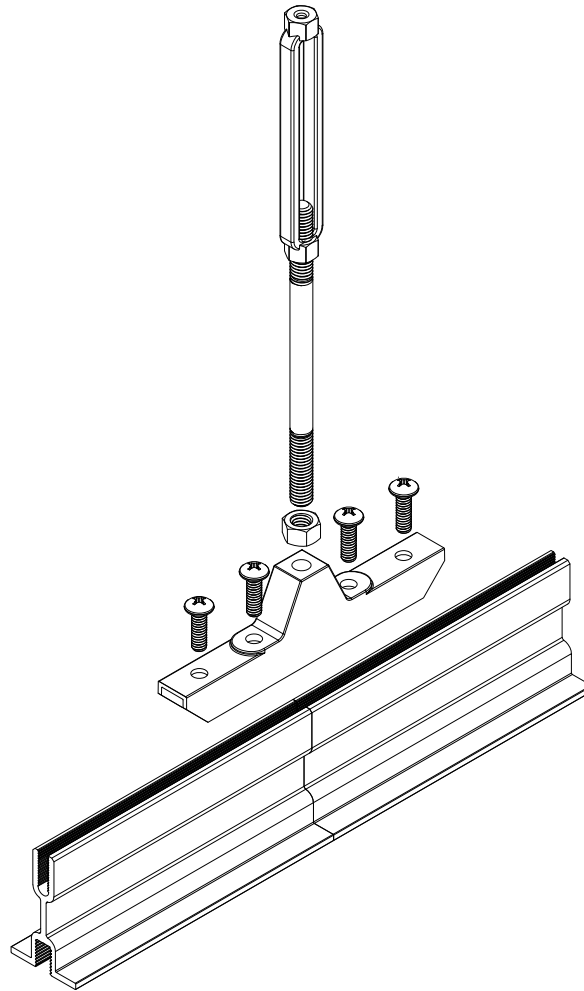
DATA CENTER CEILINGS
STRUCTURAL GRID – DG 3.0
GRID ISOMETRIC



GORDON®
ARCHITECTURAL+ENGINEERED SOLUTIONS

5023 Hazel Jones Rd.
Bossier City, LA 71111
800.747.8954
GORDON-INC.COM
sales@gordon-inc.com

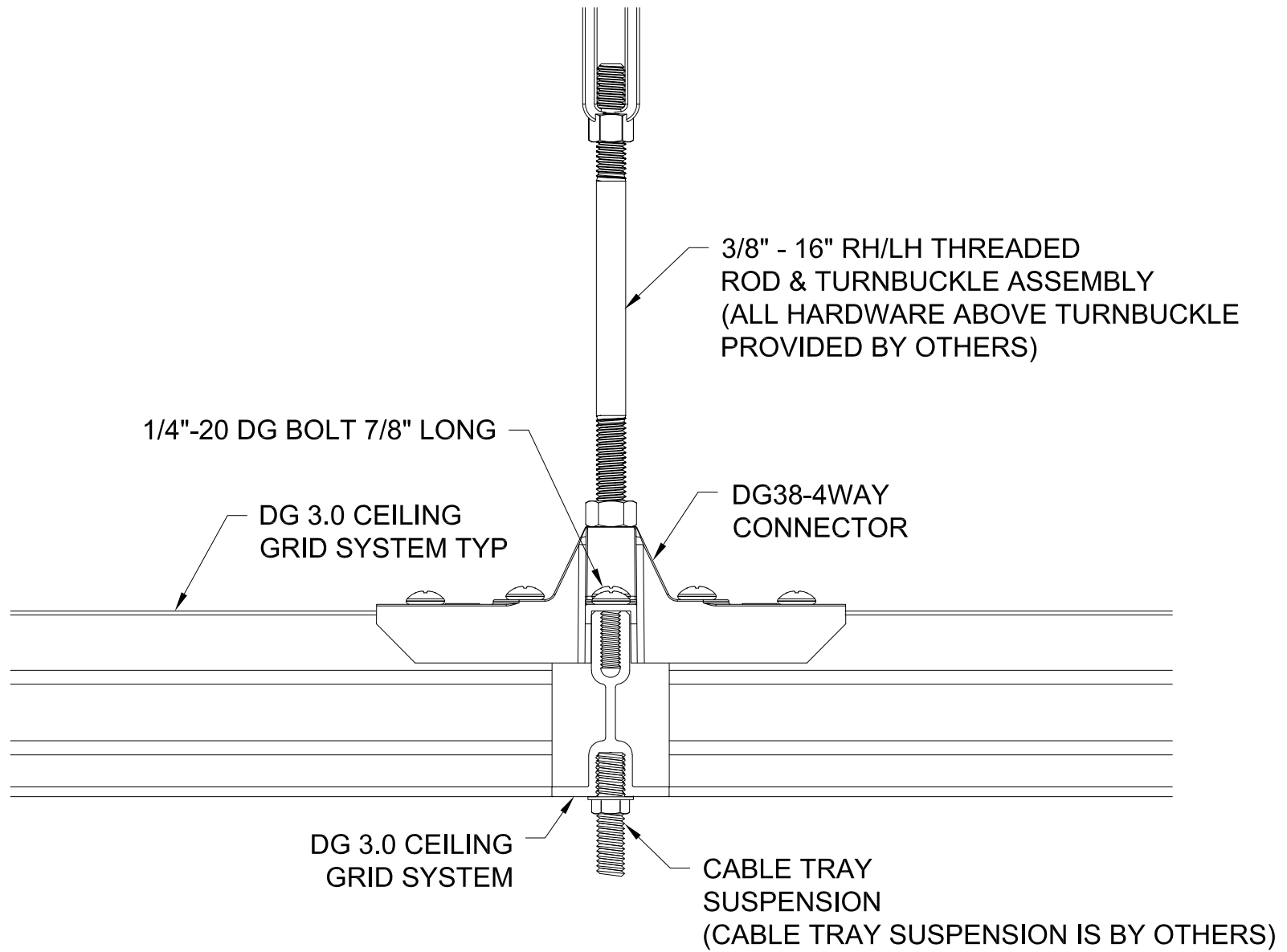
DATA CENTER CEILINGS
STRUCTURAL GRID – DG 3.0
4-WAY CONNECTOR

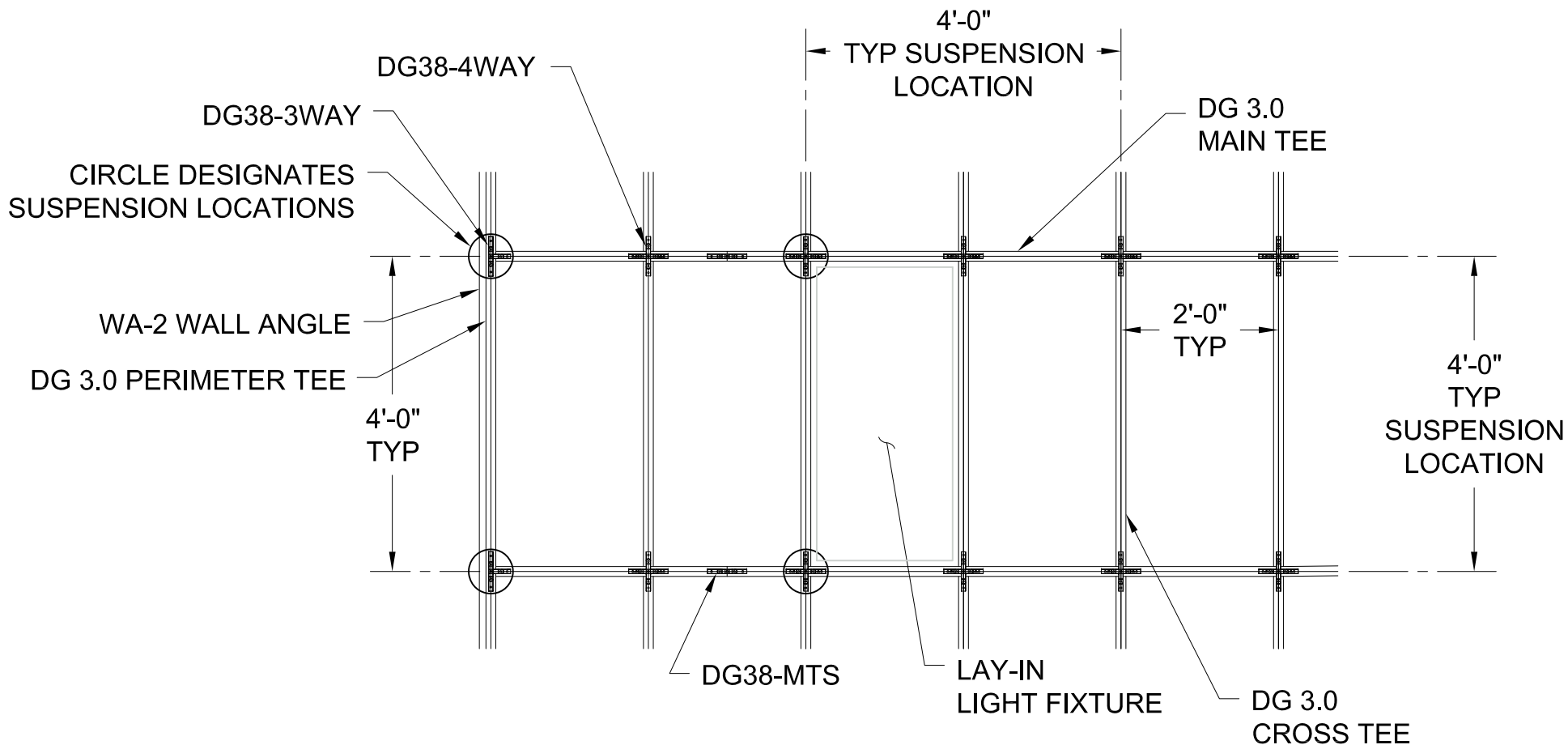


GORDON®
ARCHITECTURAL+ENGINEERED SOLUTIONS

5023 Hazel Jones Rd.
Bossier City, LA 71111
800.747.8954
GORDON-INC.COM
sales@gordon-inc.com

DATA CENTER CEILINGS
STRUCTURAL GRID – DG 3.0
MTS CONNECTOR

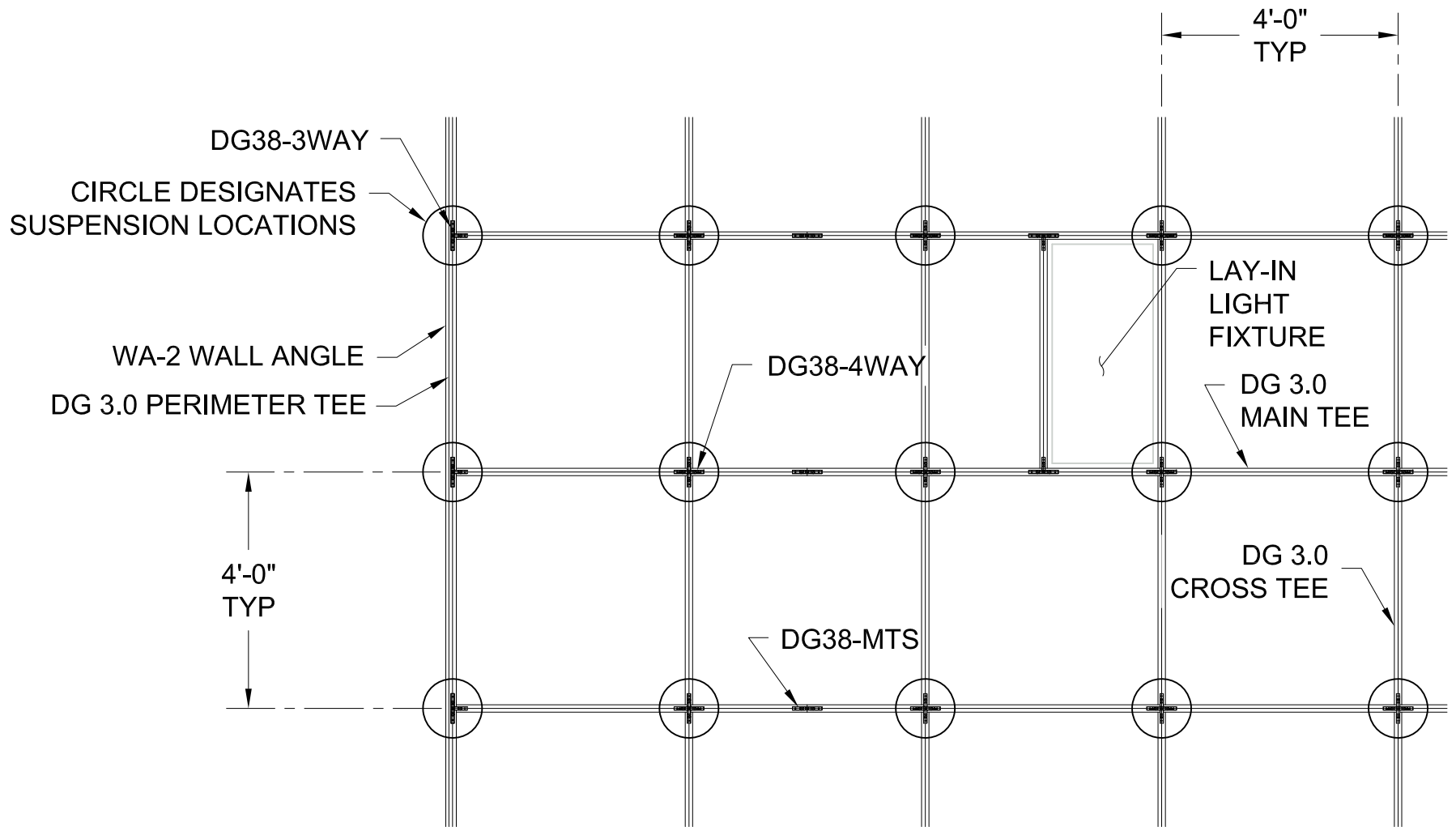




TYPICAL GRID PLAN

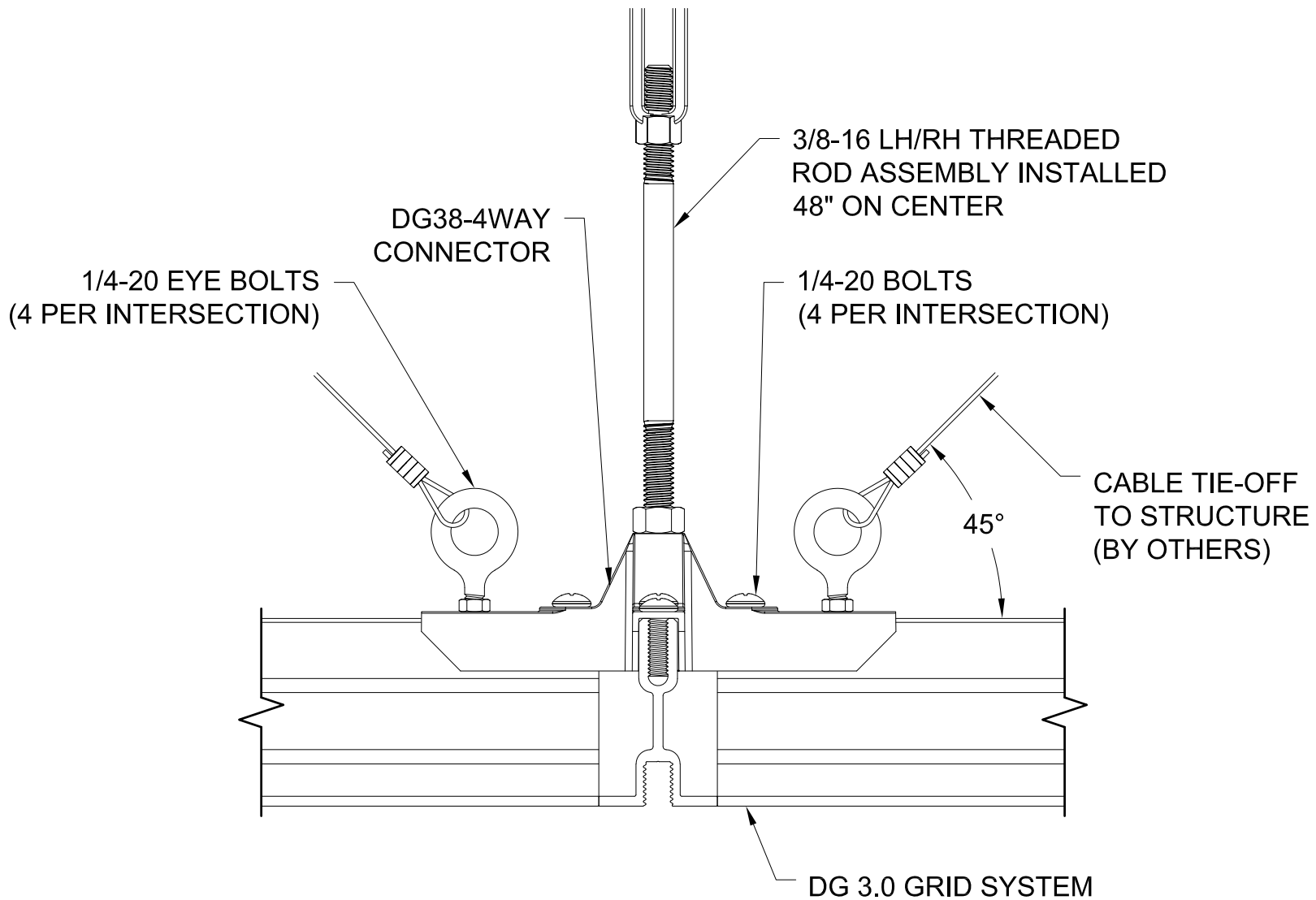
NOT TO SCALE

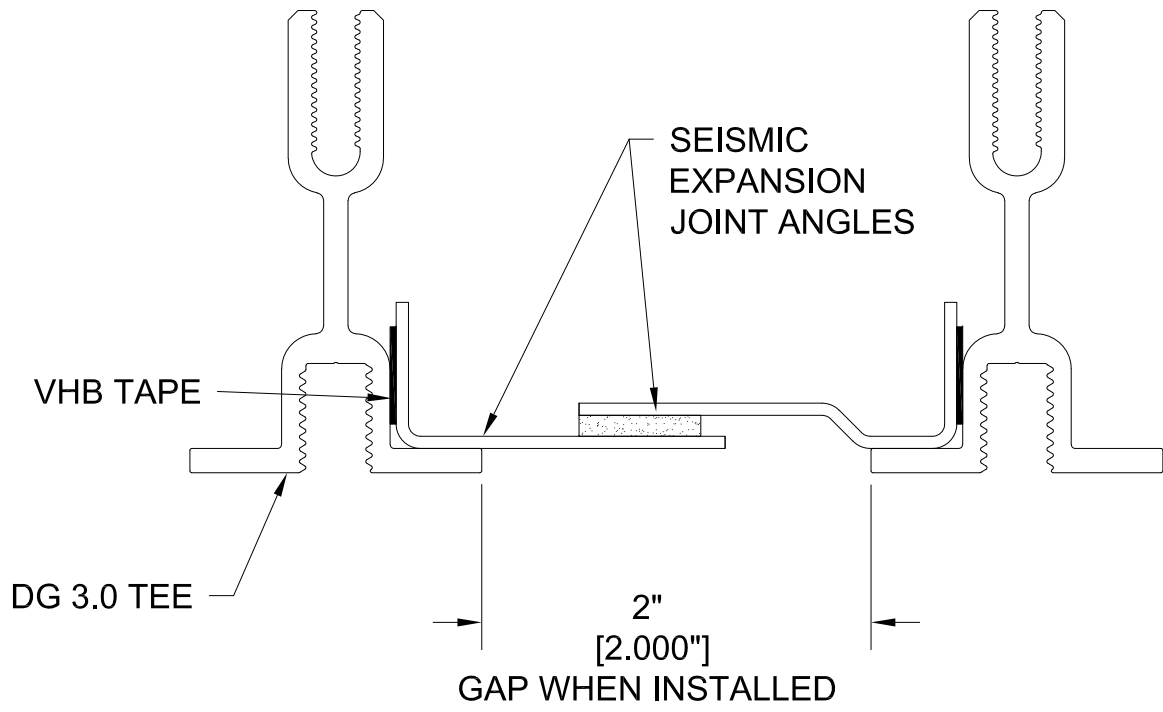
CONTACT GORDON DATA CENTER PRODUCTS DIVISION
 FOR INFORMATION ON PANEL OPTIONS AND DataLUME LIGHT
 FIXTURES SIZED TO FIT THIS GRID MODULE

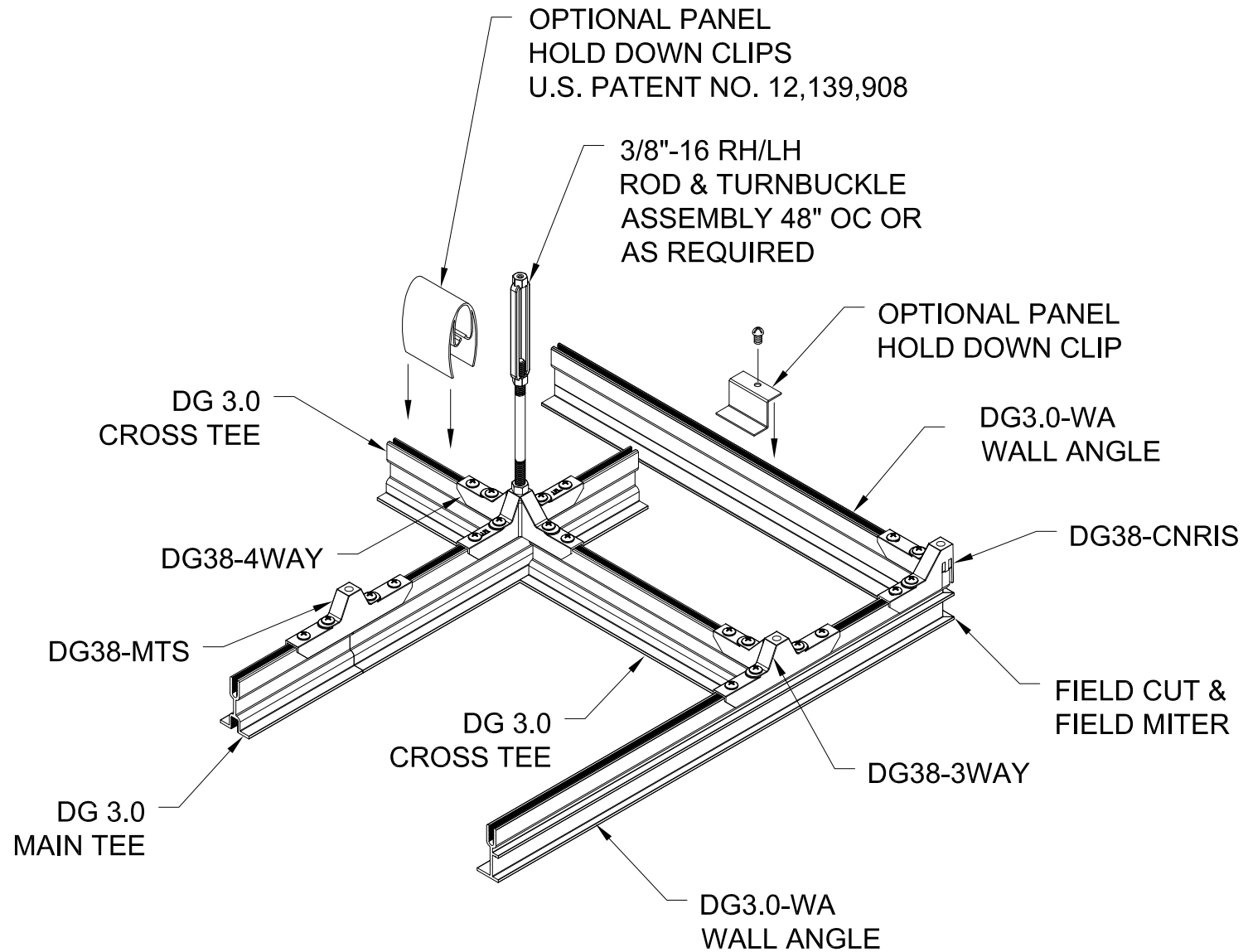


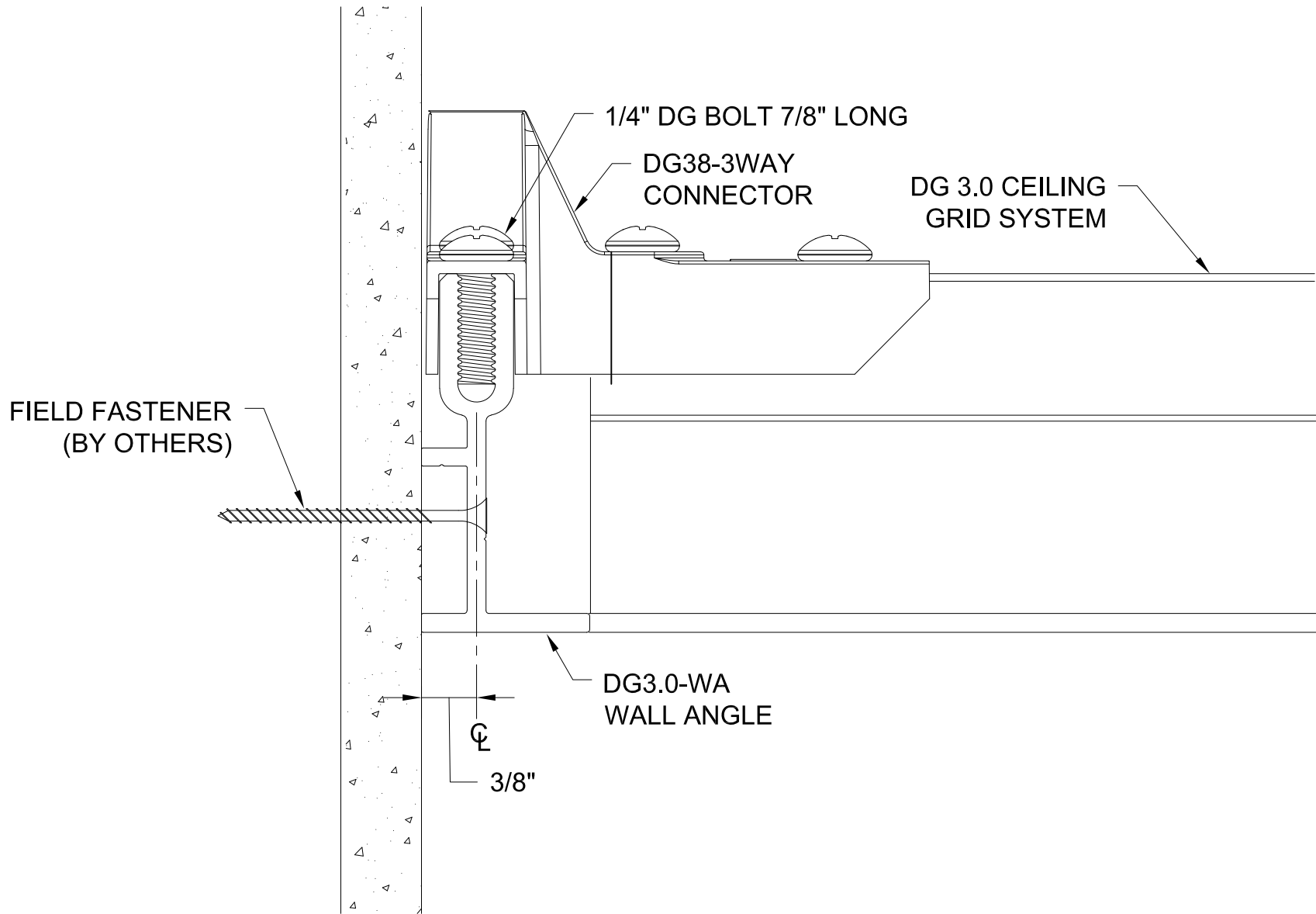
TYPICAL GRID PLAN
NOT TO SCALE

CONTACT GORDON DATA CENTER PRODUCTS DIVISION
FOR INFORMATION ON PANEL OPTIONS AND DataLUME LIGHT
FIXTURES SIZED TO FIT THIS GRID MODULE





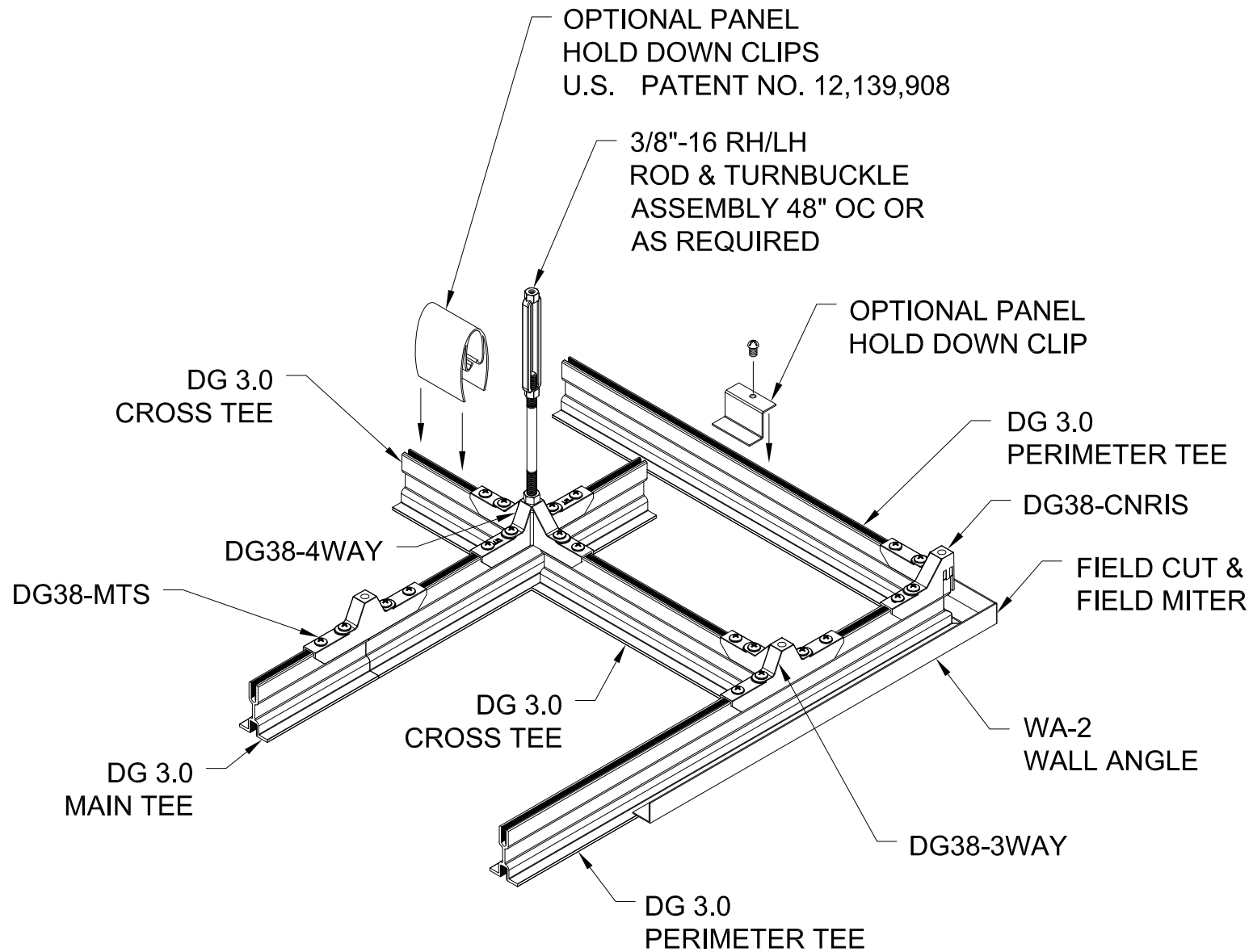


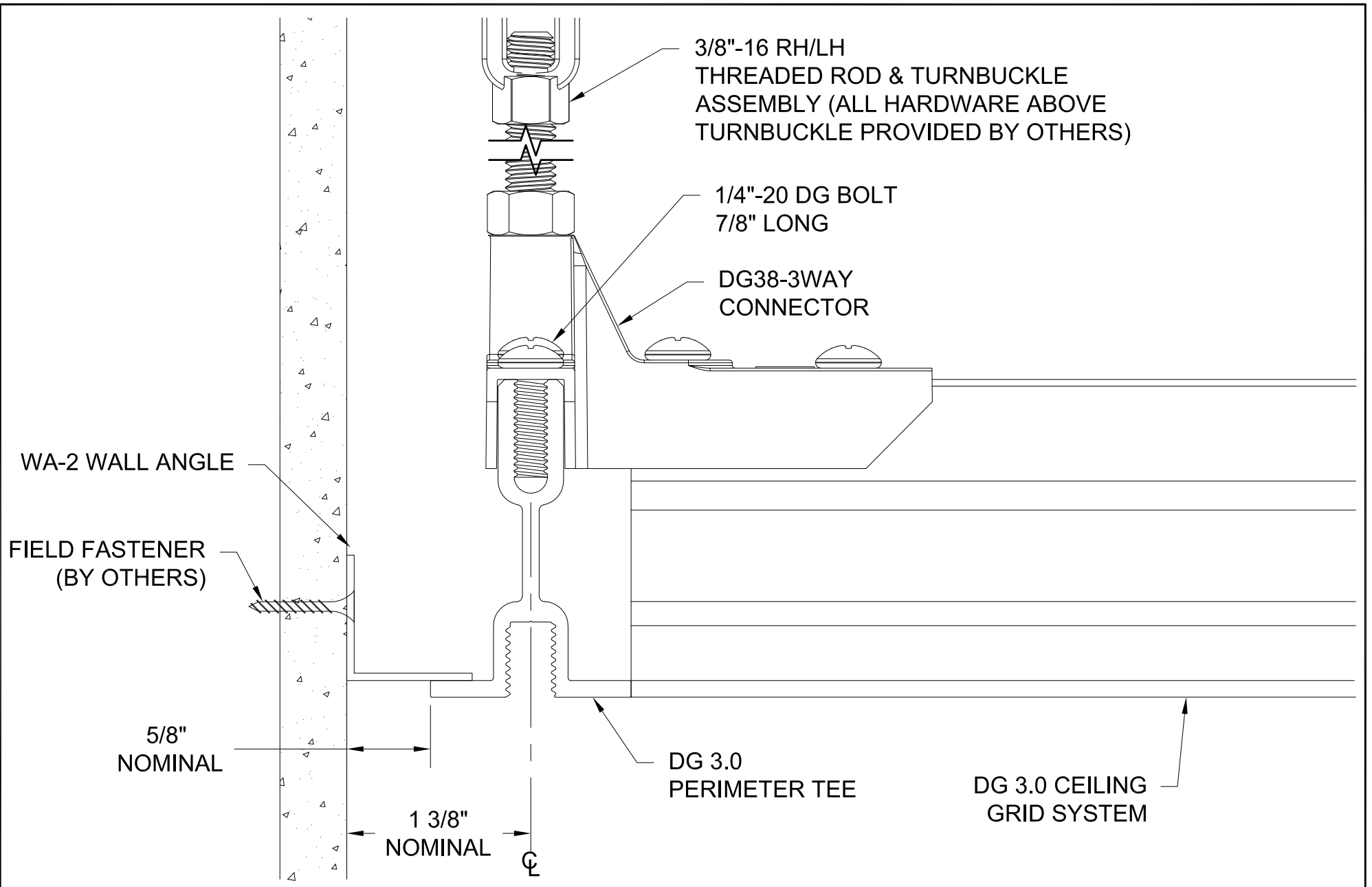


GORDON®
ARCHITECTURAL+ENGINEERED SOLUTIONS

5023 Hazel Jones Rd.
Bossier City, LA 71111
800.747.8954
GORDON-INC.COM
sales@gordon-inc.com

DATA CENTER CEILINGS
STRUCTURAL GRID – DG 3.0
FIXED PERIMETER SECTION

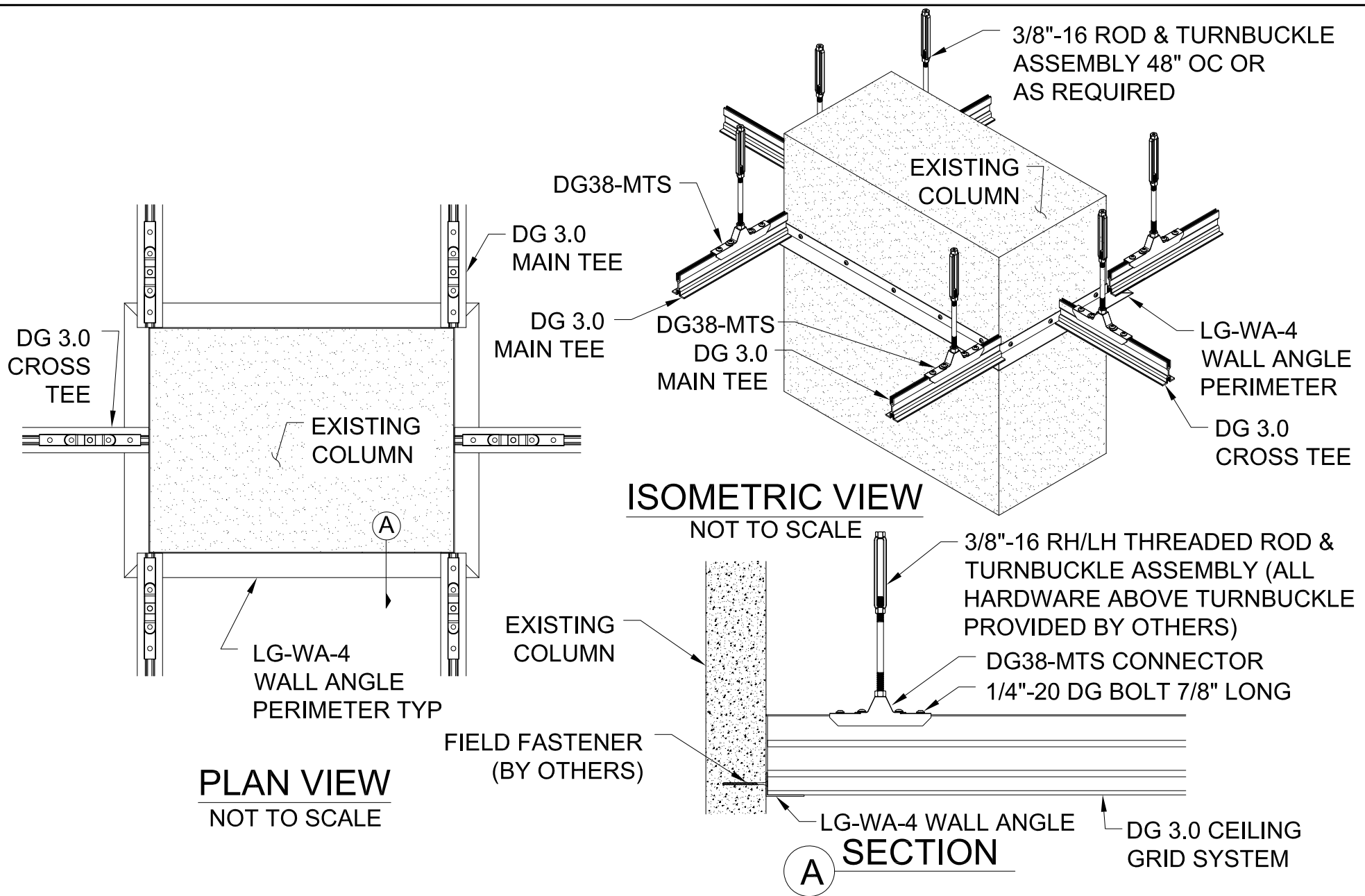


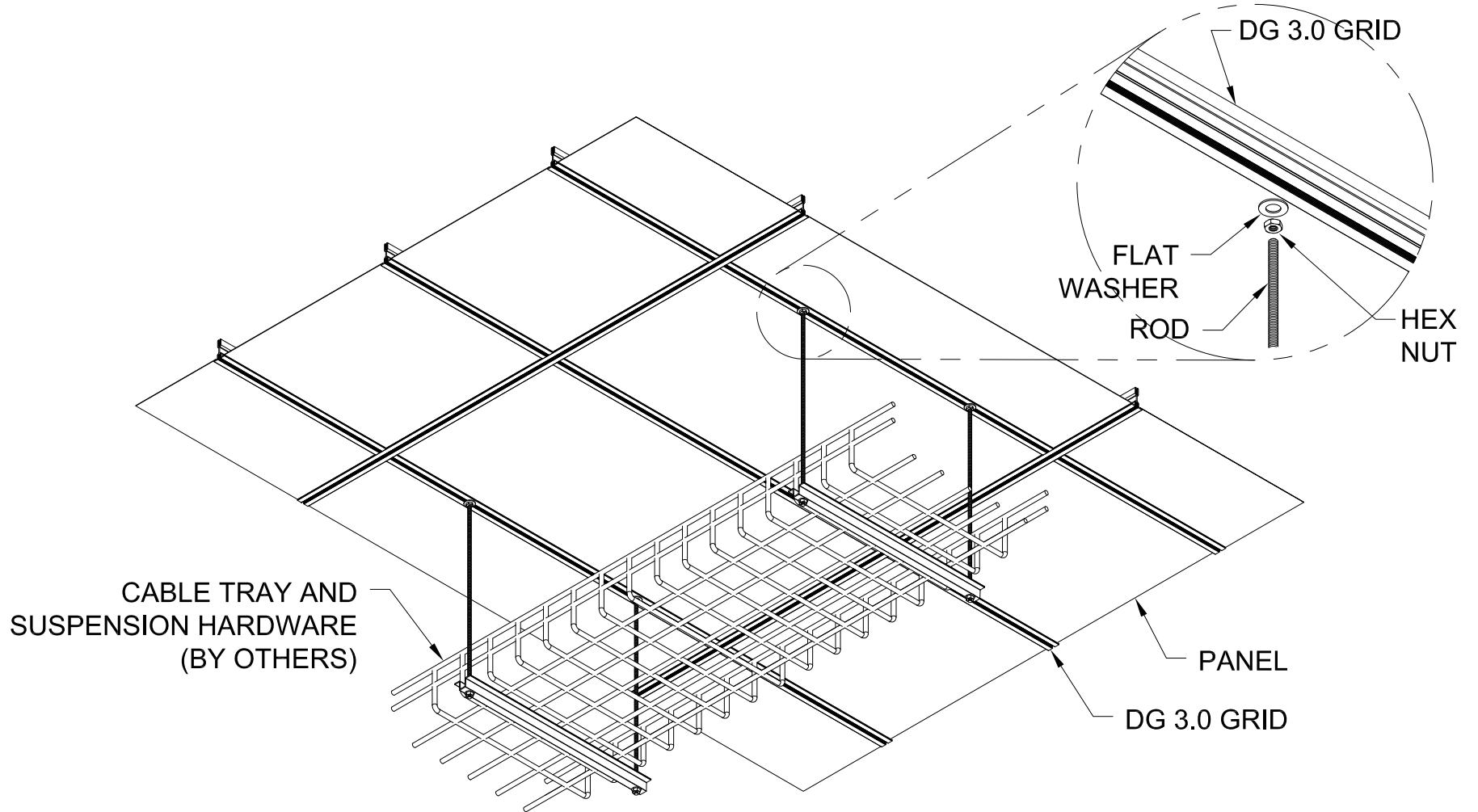


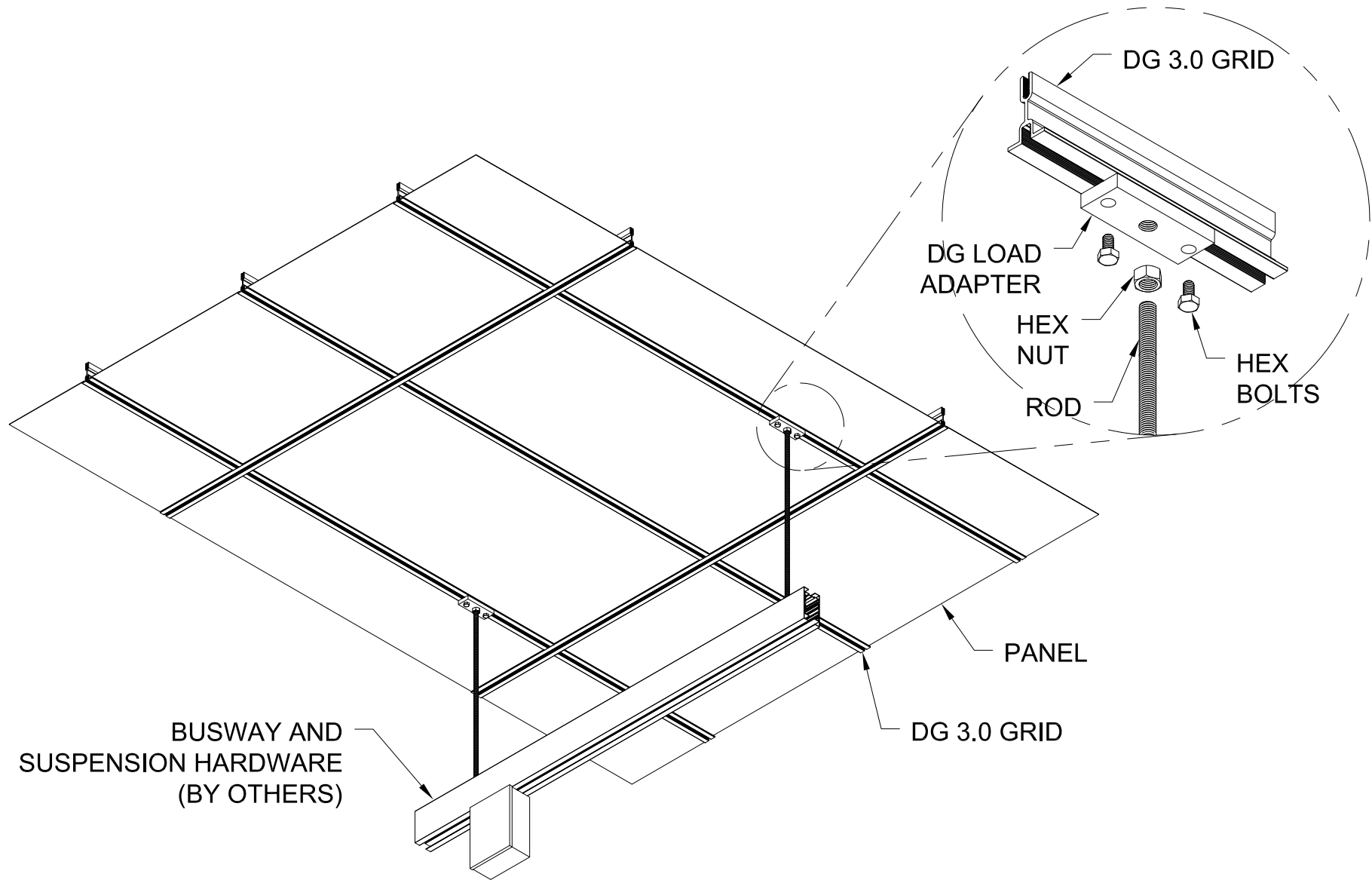
GORDON[®]
 ARCHITECTURAL+ENGINEERED SOLUTIONS

5023 Hazel Jones Rd.
 Bossier City, LA 71111
 800.747.8954
 GORDON-INC.COM
 sales@gordon-inc.com

**DATA CENTER CEILINGS
 STRUCTURAL GRID – DG 3.0
 FLOATING PERIMETER SECTION**



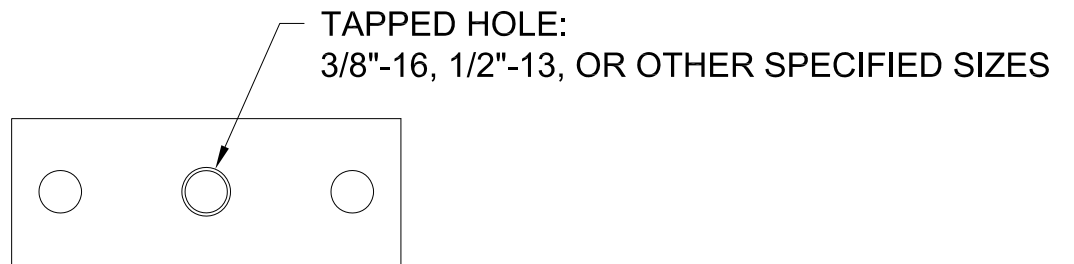
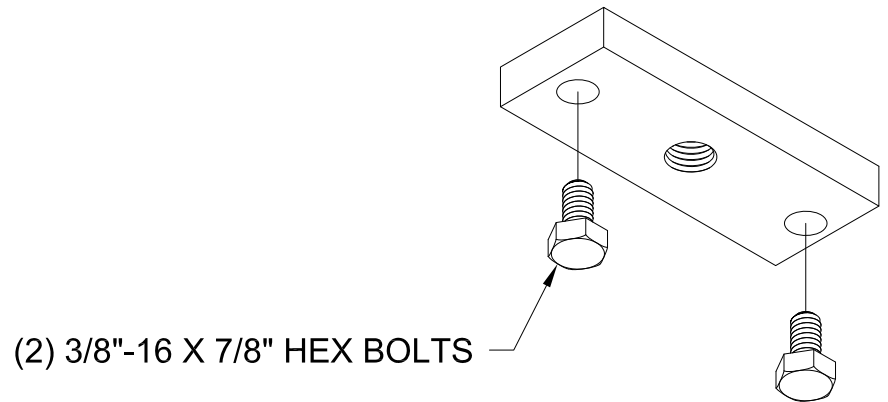
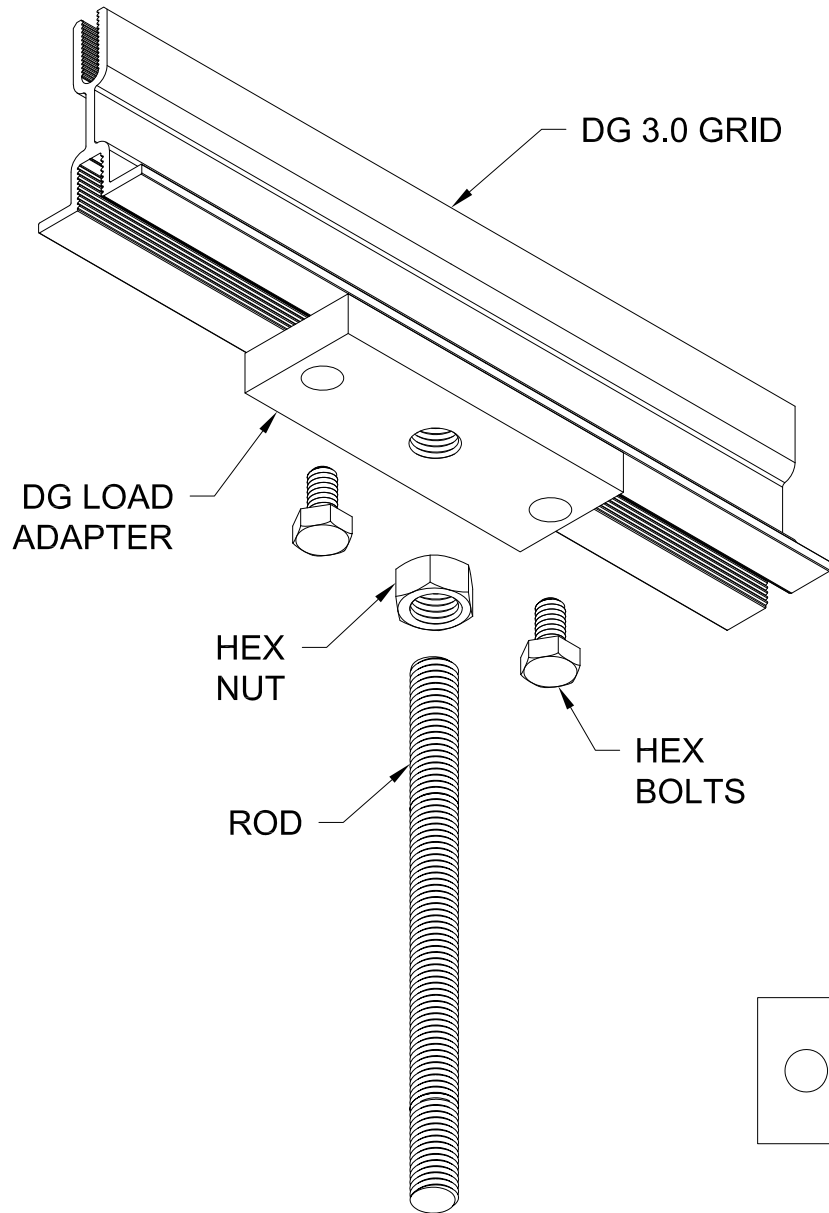


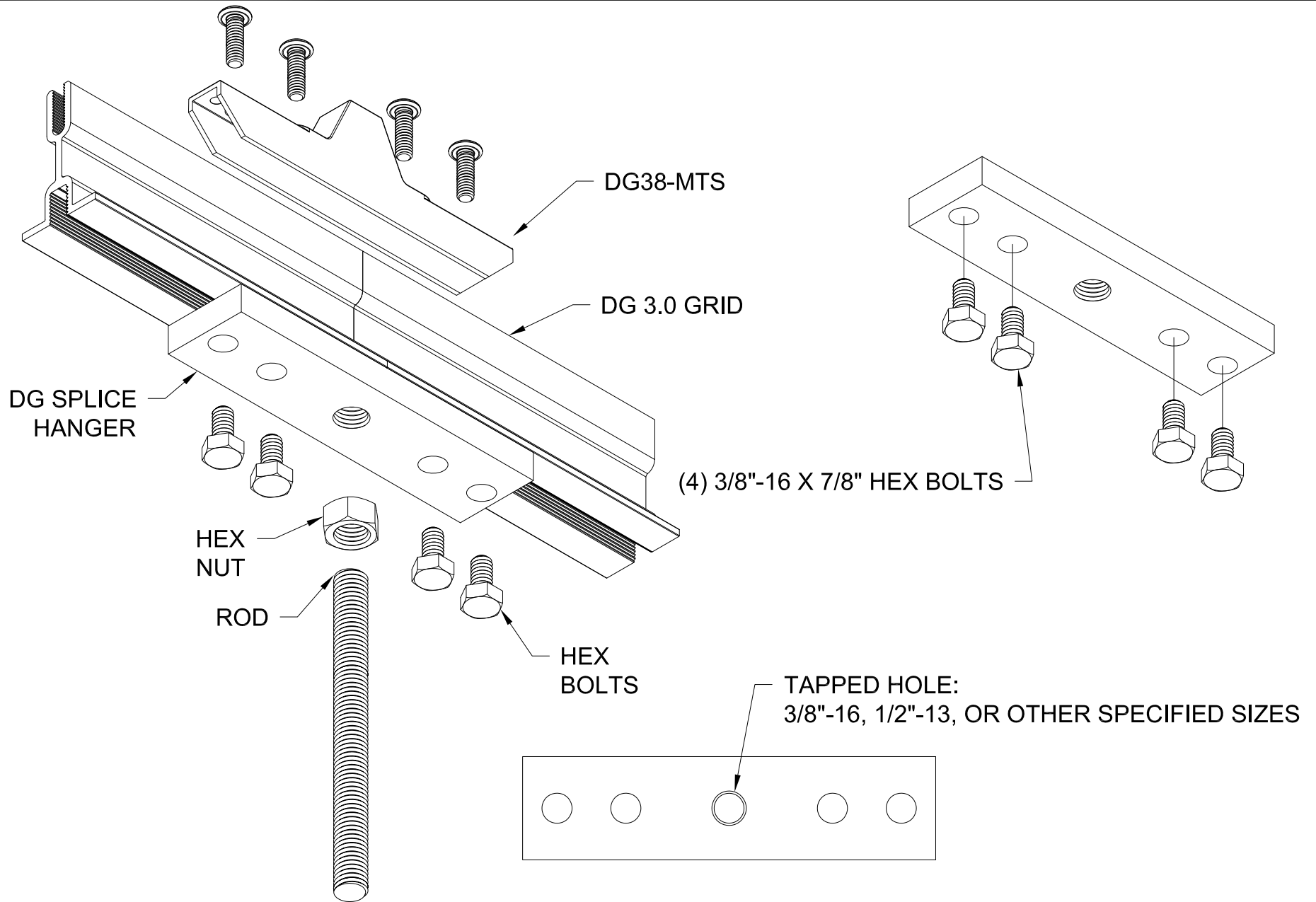


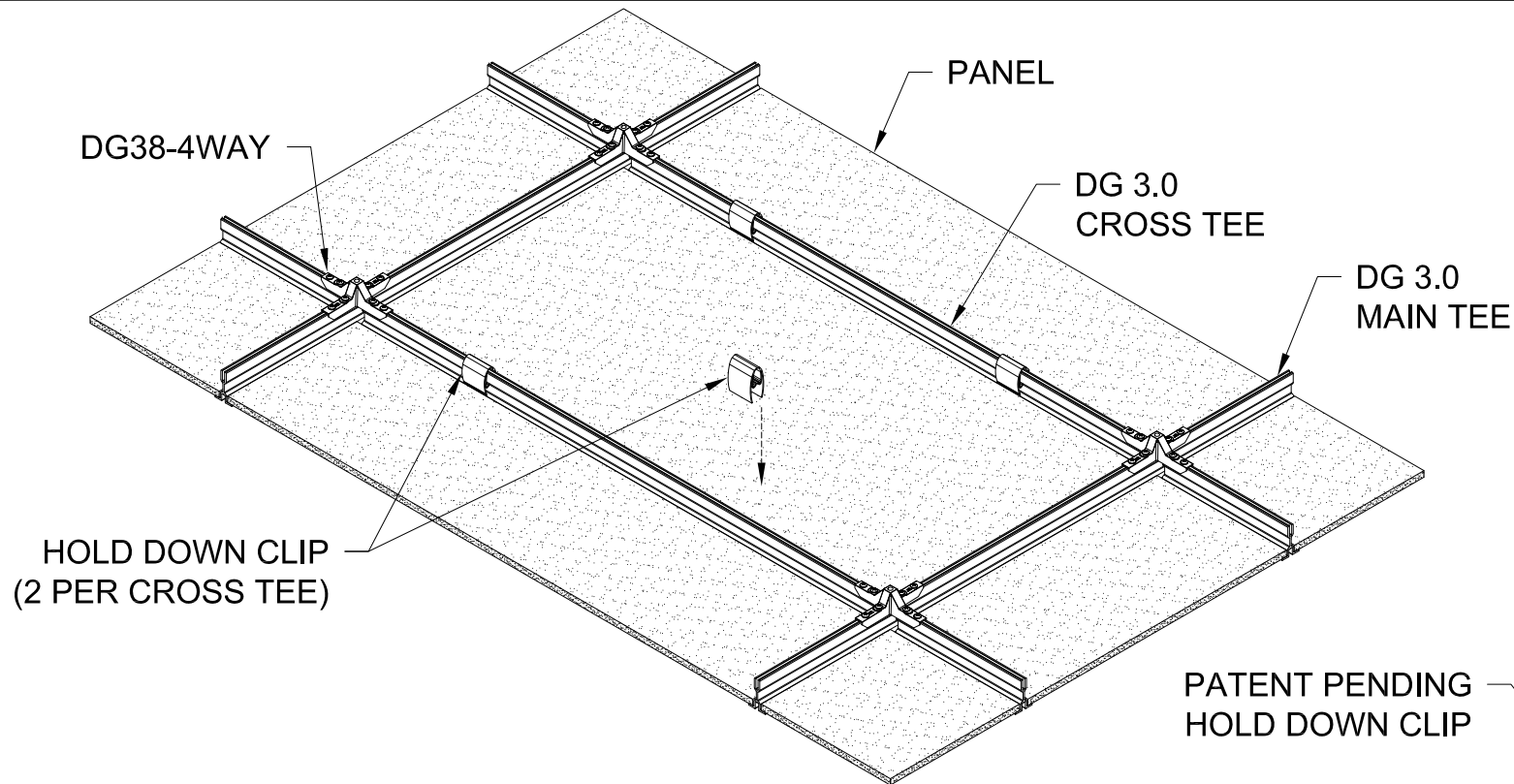
GORDON®
ARCHITECTURAL+ENGINEERED SOLUTIONS

5023 Hazel Jones Rd.
Bossier City, LA 71111
800.747.8954
GORDON-INC.COM
sales@gordon-inc.com

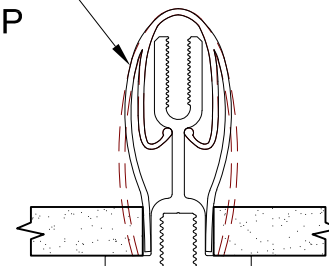
DATA CENTER CEILINGS
STRUCTURAL GRID – DG 3.0
BUSWAY INSTALLATION WITH LOAD ADAPTER







PATENT PENDING
HOLD DOWN CLIP



**SECTION AT
HOLD DOWN CLIP**

NOT TO SCALE

U.S. PATENT NO. 12,139,908

HOLD DOWN CLIP ISOMETRIC

NOT TO SCALE

GORDON'S DATA CENTER HOLD DOWN CLIPS ARE DESIGNED TO APPLY ENOUGH PRESSURE TO OVERCOME THE AIR DIFFERENTIAL BETWEEN THE DATA HALL AND THE PLENUM THUS REDUCING TILE LIFT, WHILE STILL ALLOWING THE TILES TO BE REMOVED ONCE ENOUGH FORCE IS APPLIED.

THE CLIPS WORK WITH THE FOLLOWING TILE SIZES:

WORKING SIZE LIMITS: 3/4" TO 1" LESS THAN MODULE SIZE

WORKING THICKNESS LIMITS: 1/2" TO 3/4"