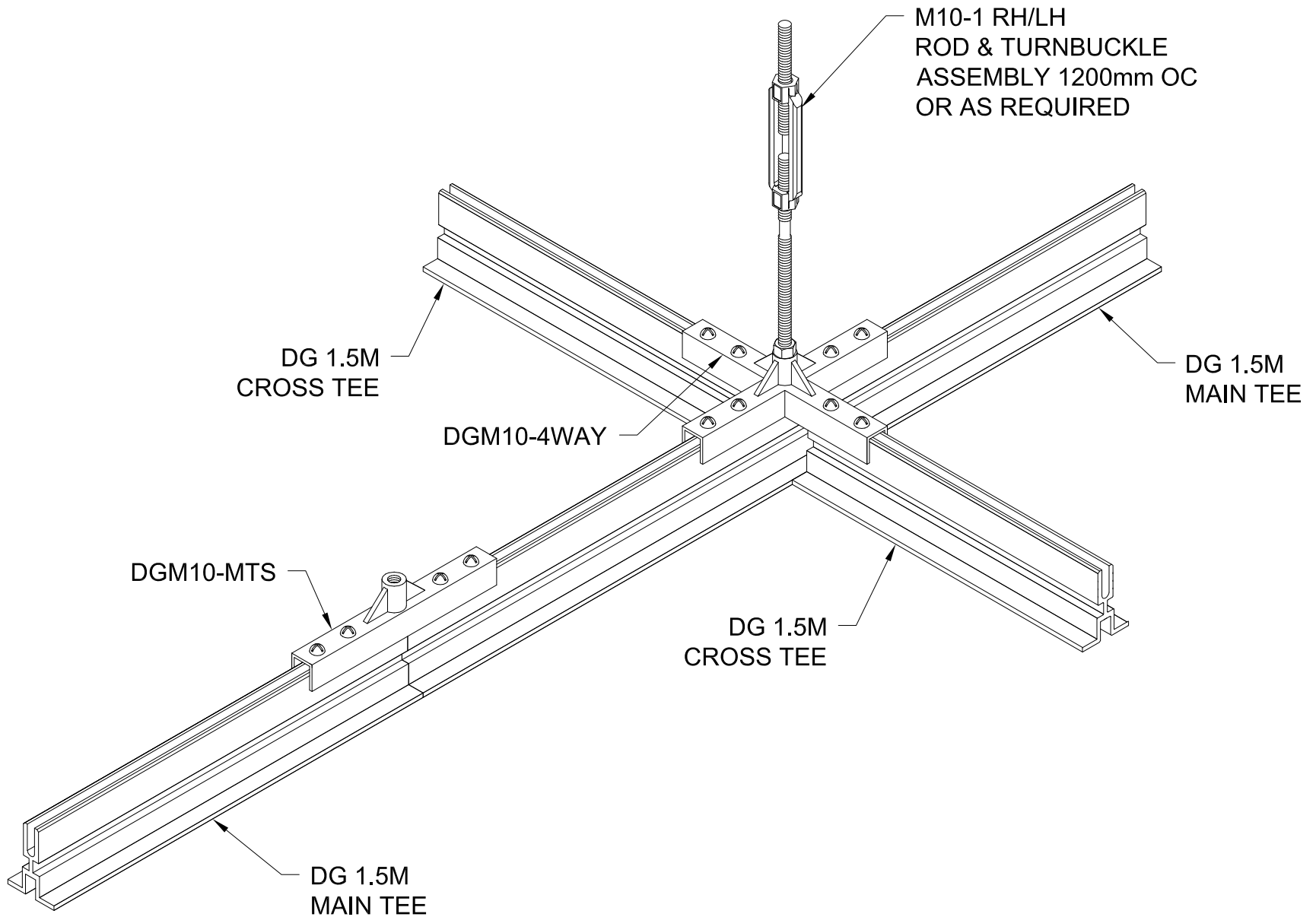


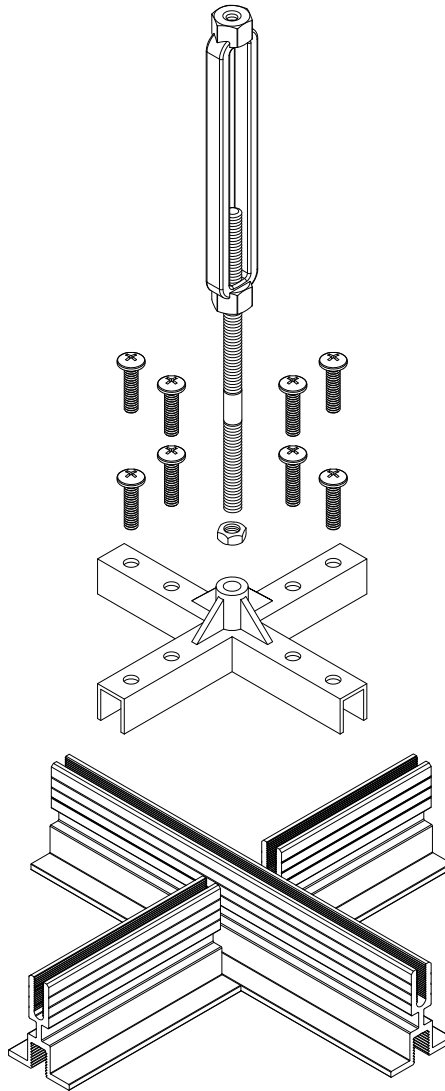
FIXTURES DIMENSIONS
 ARE TYPICALLY MODULE SIZE LESS 22mm (MAXIMUM O.D.)

GORDON[®]
 ARCHITECTURAL+ENGINEERED SOLUTIONS

5023 Hazel Jones Rd.
 Bossier City, LA 71111
 800.747.8954
 GORDON-INC.COM
 sales@gordon-inc.com

DATA CENTER CEILINGS
 STRUCTURAL GRID – DG 1.5M
 600mm / 1200mm MODULE

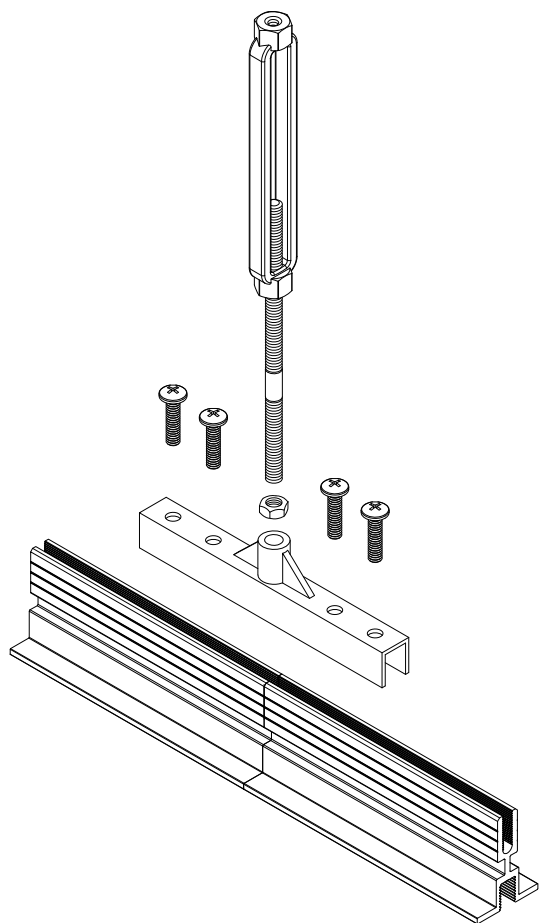




GORDON®
ARCHITECTURAL+ENGINEERED SOLUTIONS

5023 Hazel Jones Rd.
Bossier City, LA 71111
800.747.8954
GORDON-INC.COM
sales@gordon-inc.com

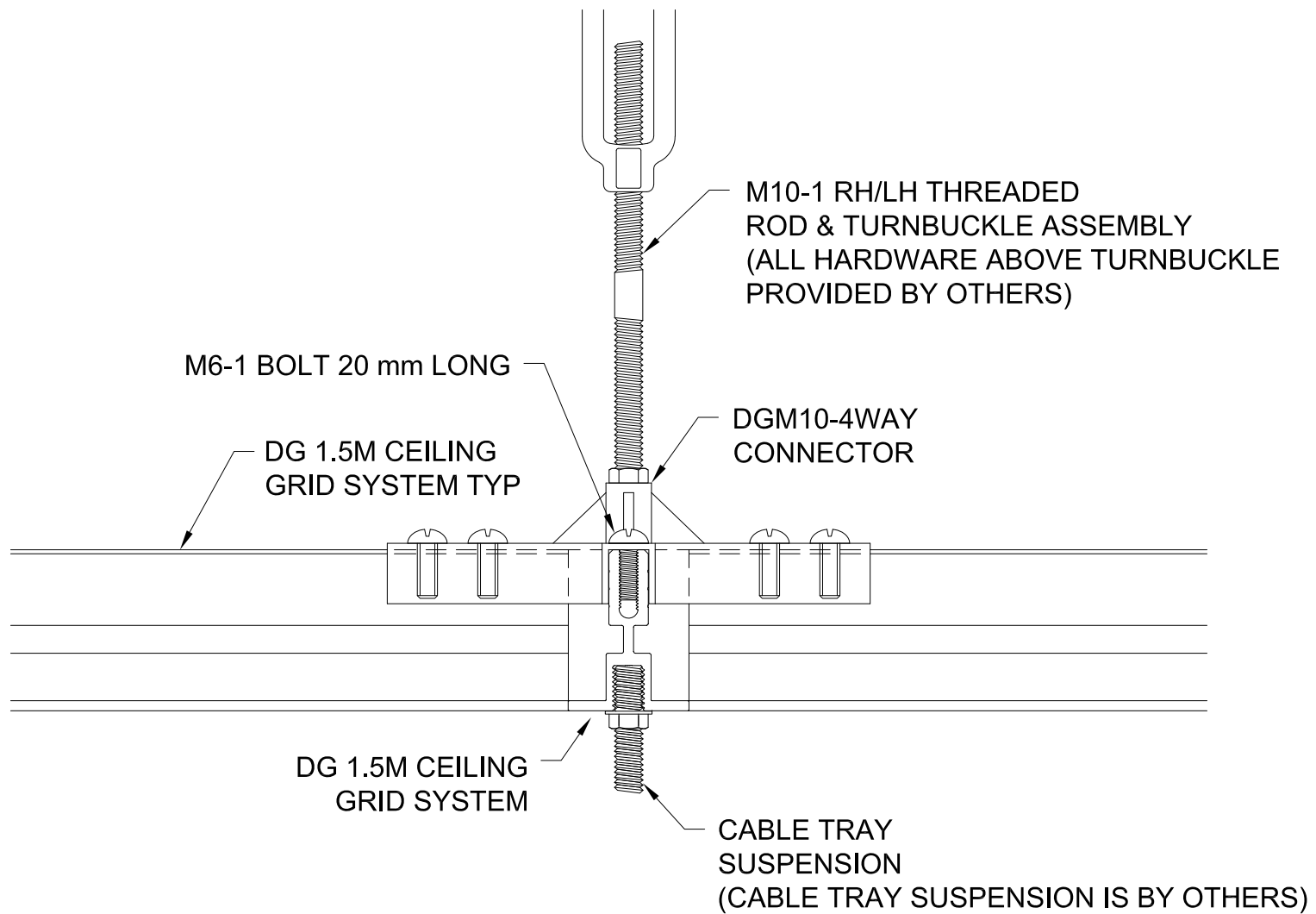
DATA CENTER CEILINGS
STRUCTURAL GRID – DG 1.5M
4-WAY CONNECTOR

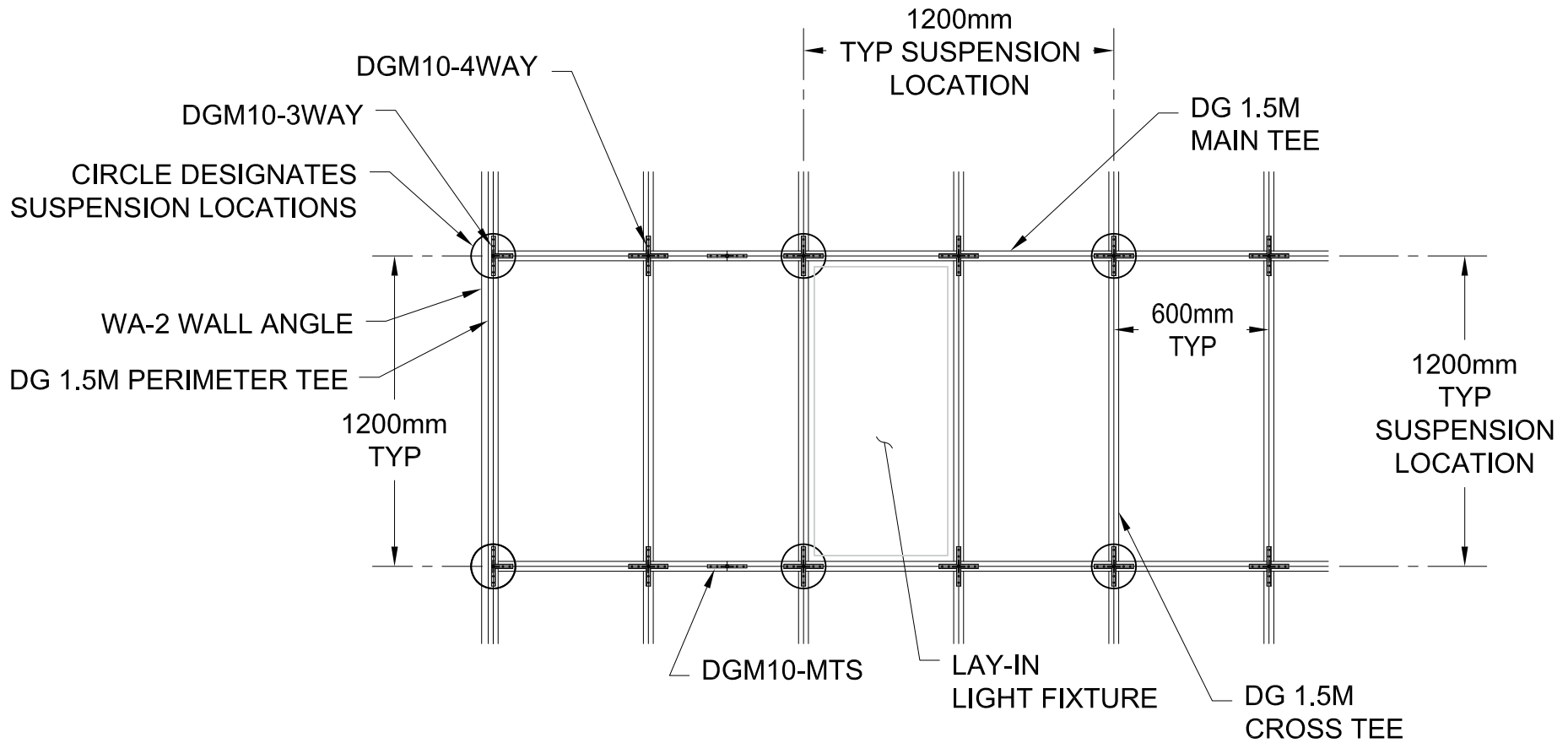


GORDON®
ARCHITECTURAL+ENGINEERED SOLUTIONS

5023 Hazel Jones Rd.
Bossier City, LA 71111
800.747.8954
GORDON-INC.COM
sales@gordon-inc.com

DATA CENTER CEILINGS
STRUCTURAL GRID – DG 1.5M
MTS CONNECTOR





TYPICAL GRID PLAN

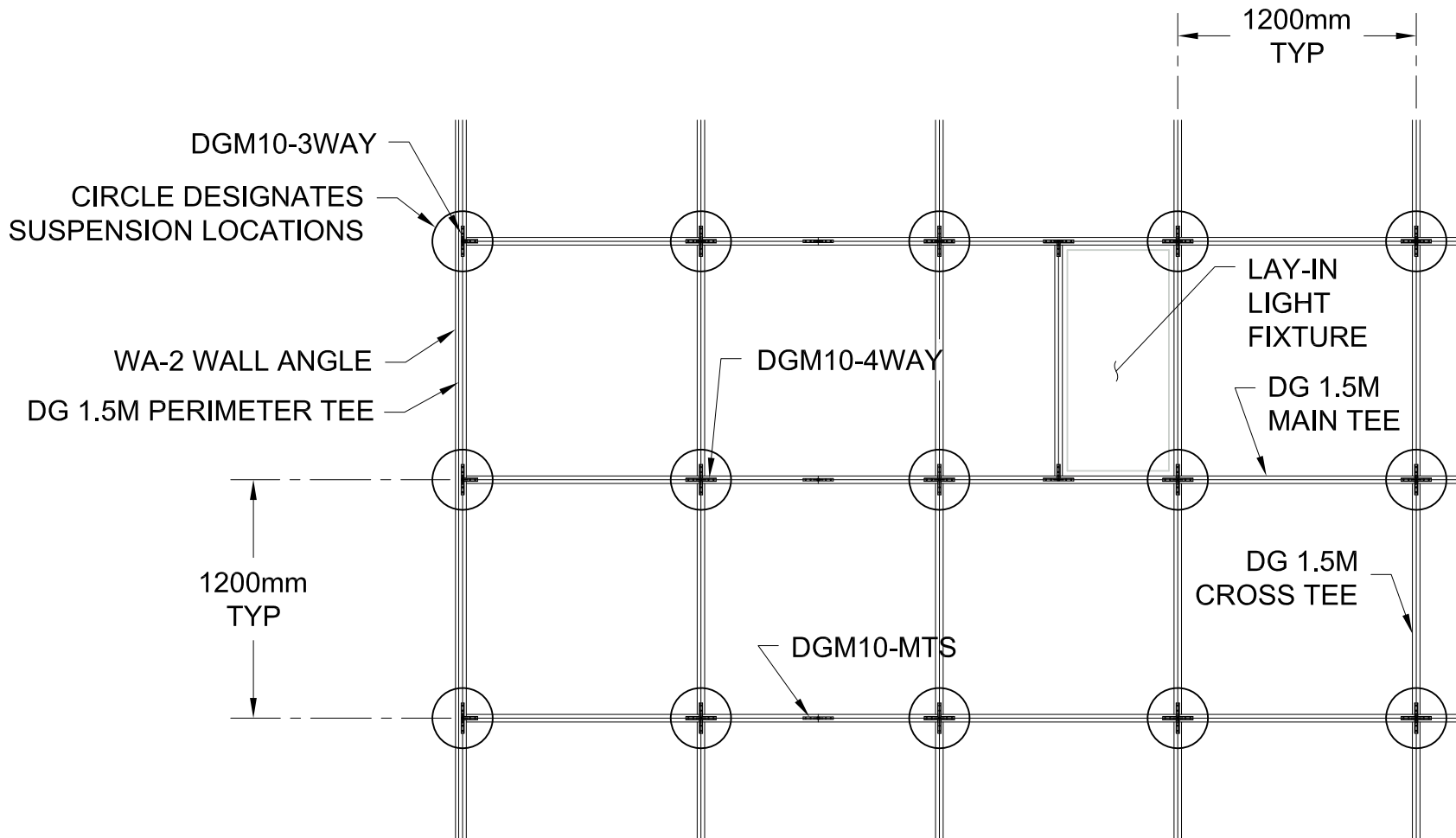
NOT TO SCALE

CONTACT GORDON DATA CENTER PRODUCTS DIVISION
FOR INFORMATION ON PANEL OPTIONS AND DataLUME LIGHT
FIXTURES SIZED TO FIT THIS GRID MODULE

GORDON[®]
ARCHITECTURAL+ENGINEERED SOLUTIONS

5023 Hazel Jones Rd.
Bossier City, LA 71111
800.747.8954
GORDON-INC.COM
sales@gordon-inc.com

DATA CENTER CEILINGS
STRUCTURAL GRID – DG 1.5M
600mm / 1200mm GRID PLAN

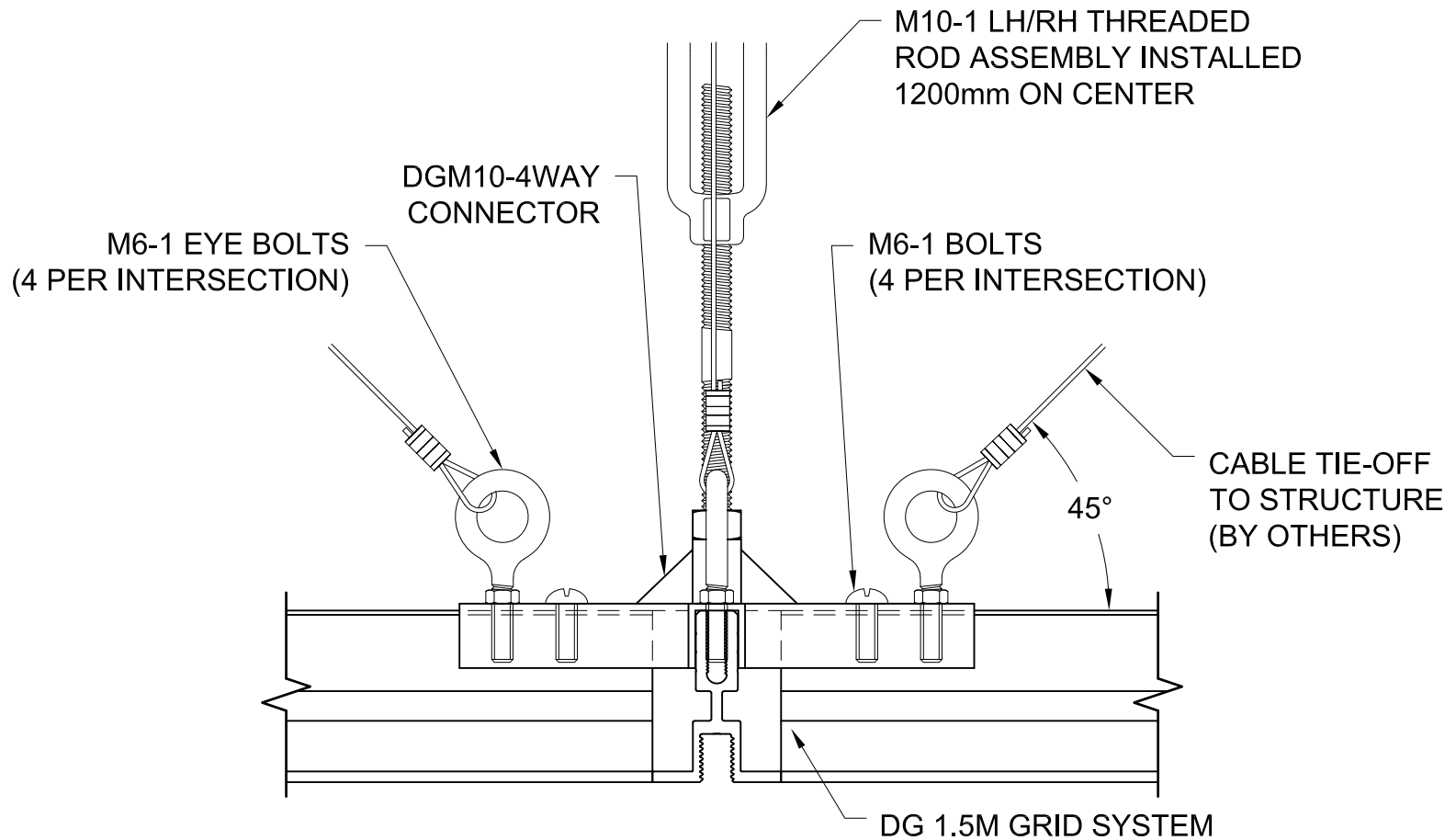


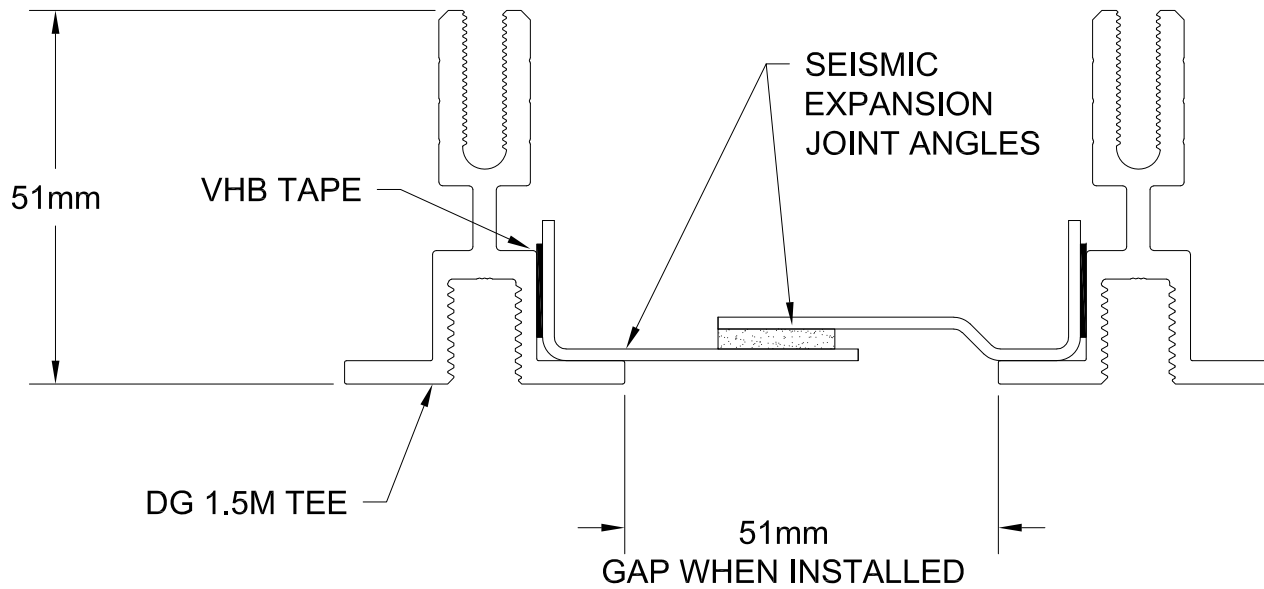
TYPICAL GRID PLAN
NOT TO SCALE

CONTACT GORDON DATA CENTER PRODUCTS DIVISION
FOR INFORMATION ON PANEL OPTIONS AND DataLUME LIGHT
FIXTURES SIZED TO FIT THIS GRID MODULE

GORDON® ARCHITECTURAL+ENGINEERED SOLUTIONS
5023 Hazel Jones Rd.
Bossier City, LA 71111
800.747.8954
GORDON-INC.COM
sales@gordon-inc.com

DATA CENTER CEILINGS
STRUCTURAL GRID – DG 1.5M
1200mm / 1200mm GRID PLAN

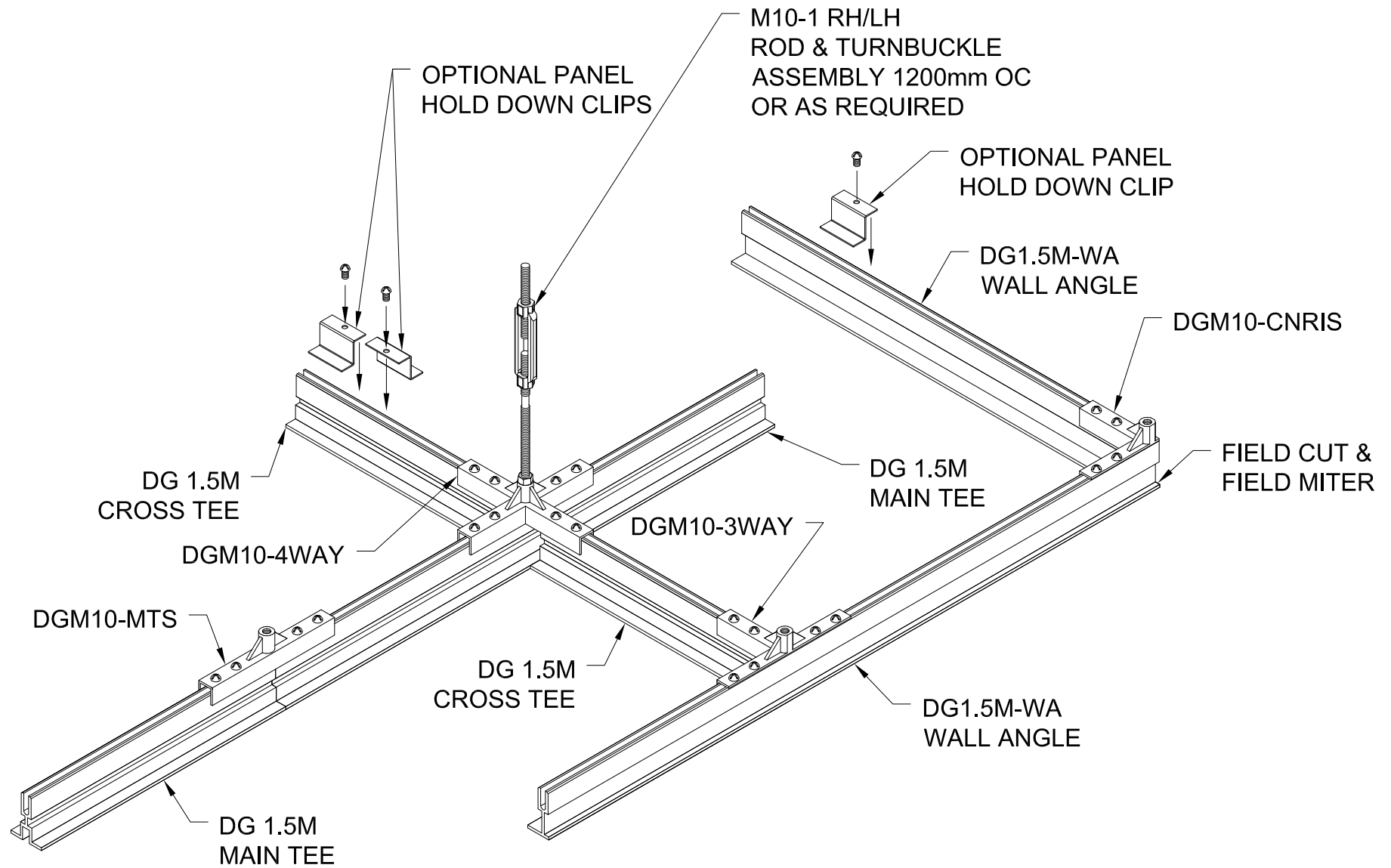




GORDON[®]
ARCHITECTURAL+ENGINEERED SOLUTIONS

5023 Hazel Jones Rd.
Bossier City, LA 71111
800.747.8954
GORDON-INC.COM
sales@gordon-inc.com

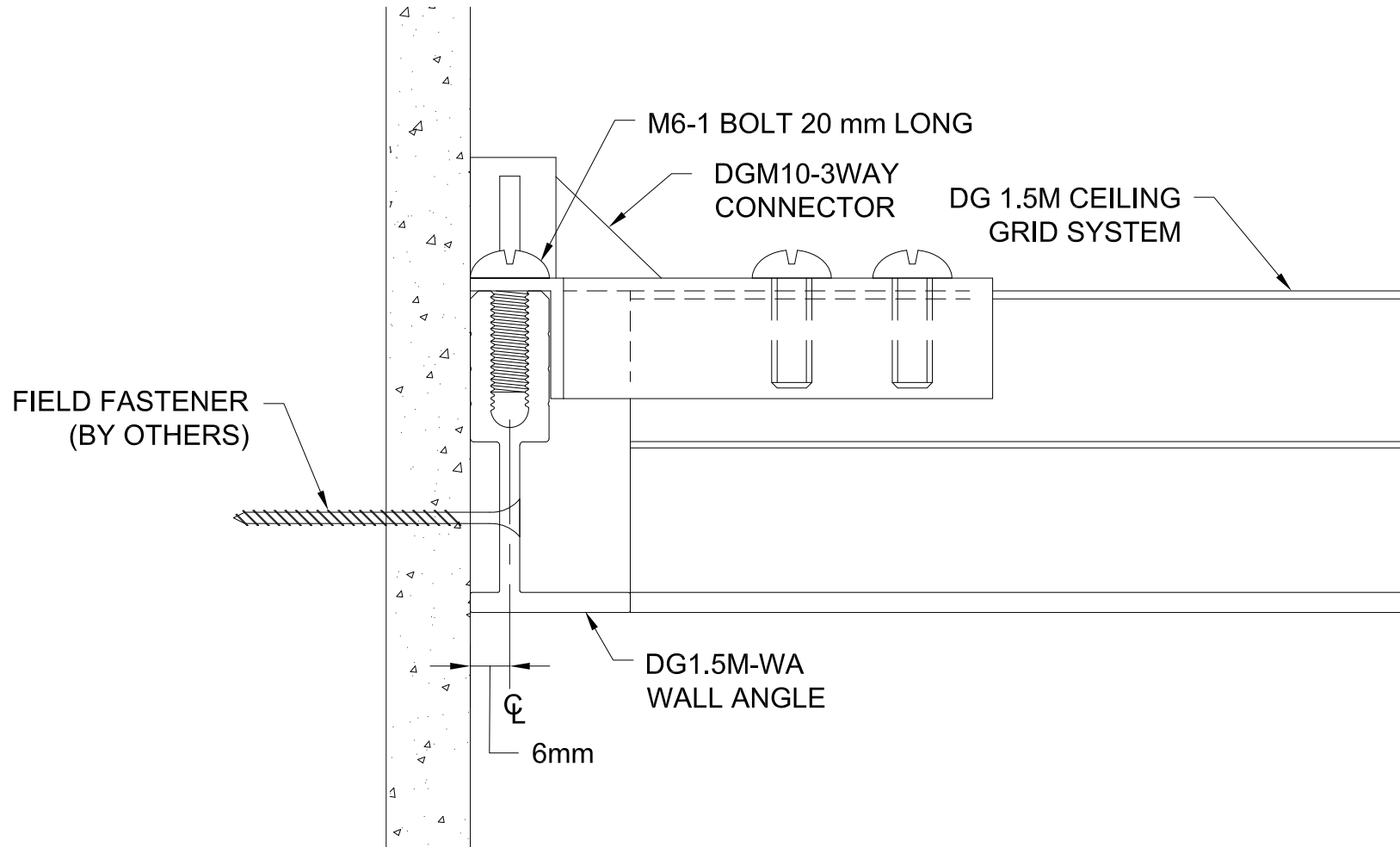
DATA CENTER CEILINGS
STRUCTURAL GRID – DG 1.5M
SEISMIC EXPANSION JOINT

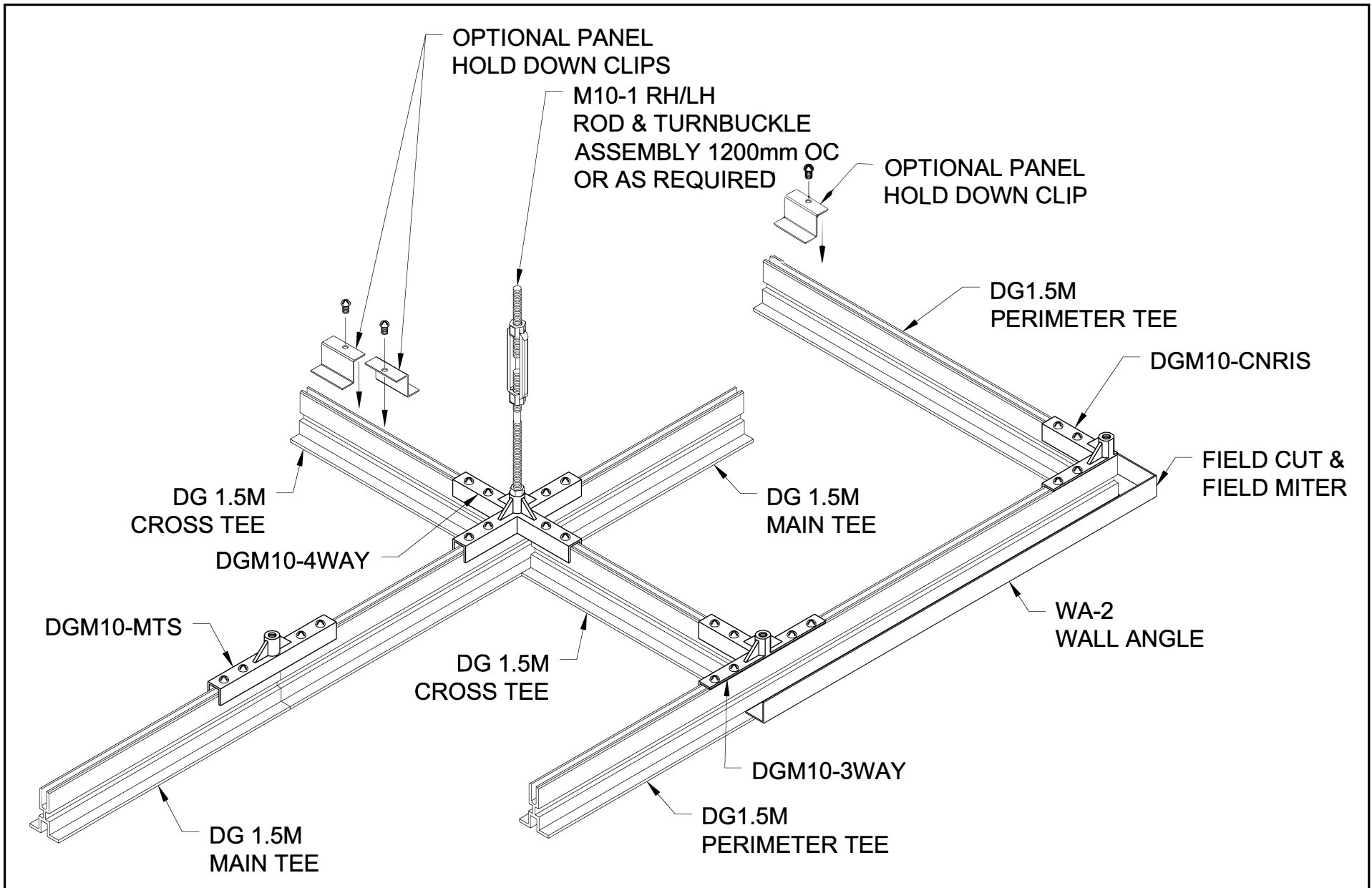


GORDON[®]
 ARCHITECTURAL+ENGINEERED SOLUTIONS

5023 Hazel Jones Rd.
 Bossier City, LA 71111
 800.747.8954
 GORDON-INC.COM
 sales@gordon-inc.com

DATA CENTER CEILINGS
 STRUCTURAL GRID – DG 1.5M
 FIXED PERIMETER ISOMETRIC

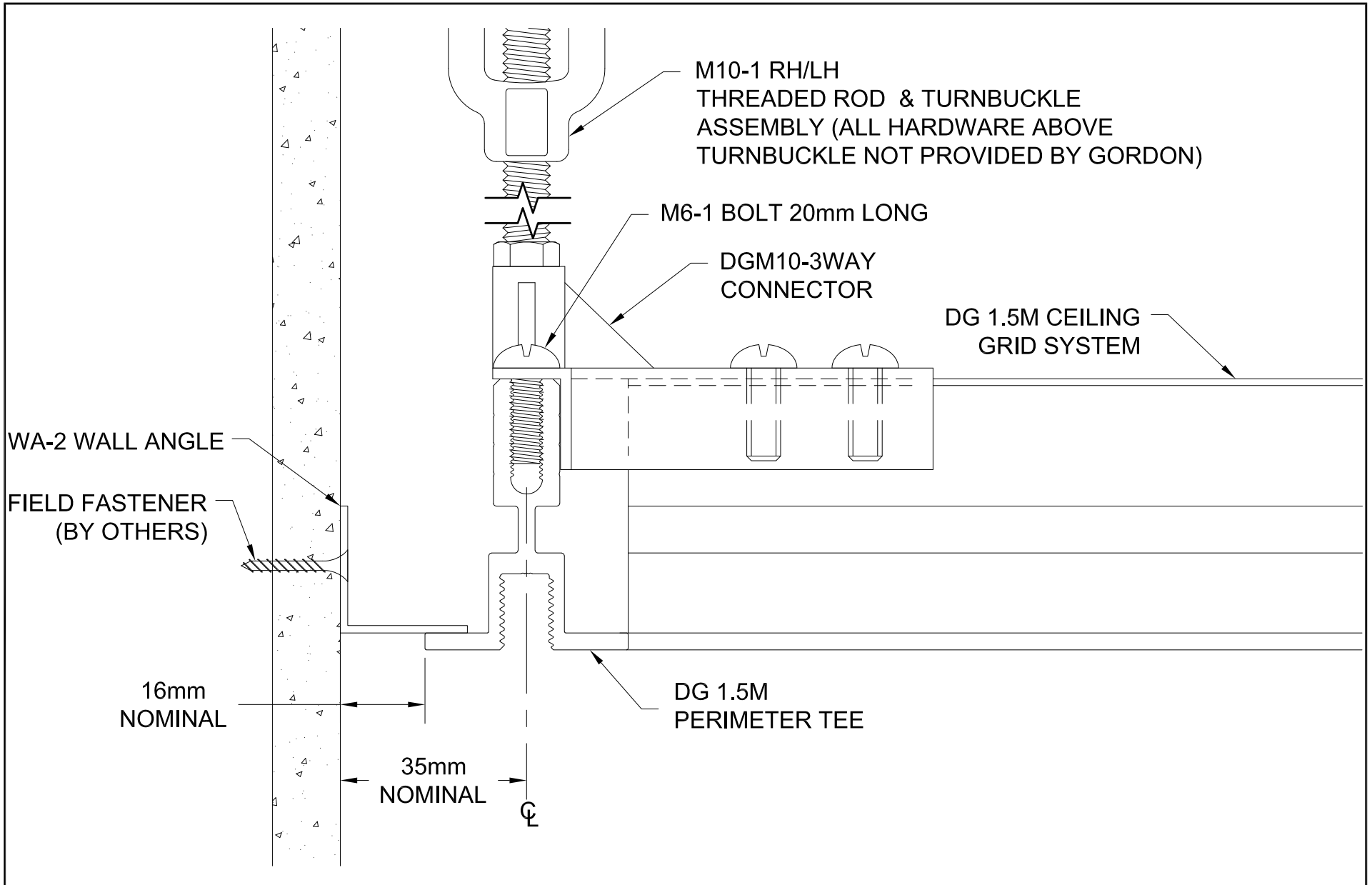




GORDON[®]
 ARCHITECTURAL+ENGINEERED SOLUTIONS

5023 Hazel Jones Rd.
 Bossier City, LA 71111
 800.747.8954
 GORDON-INC.COM
 sales@gordon-inc.com

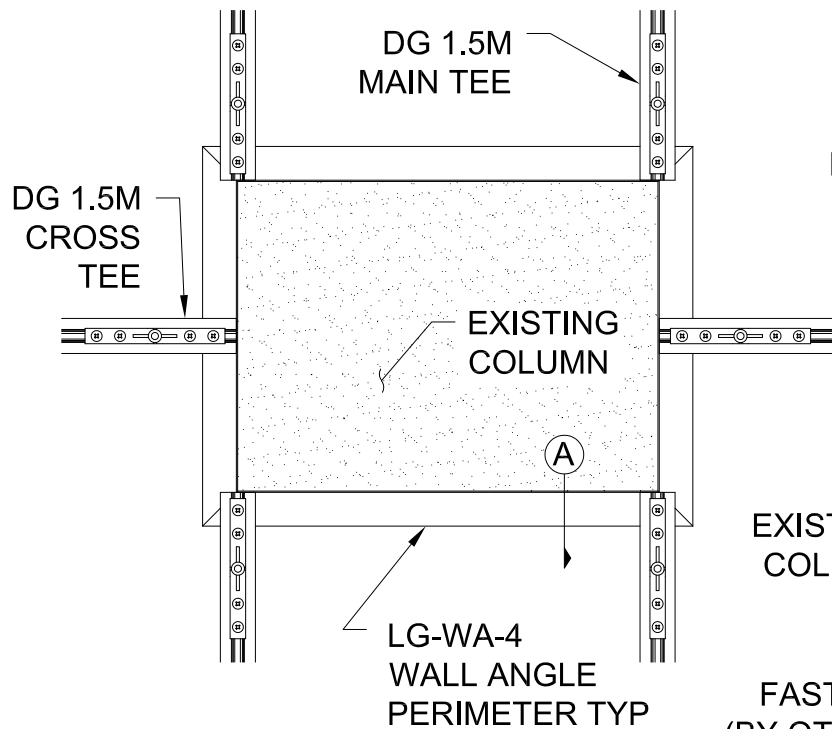
DATA CENTER CEILINGS
 STRUCTURAL GRID – DG 1.5M
 FLOATING PERIMETER ISOMETRIC



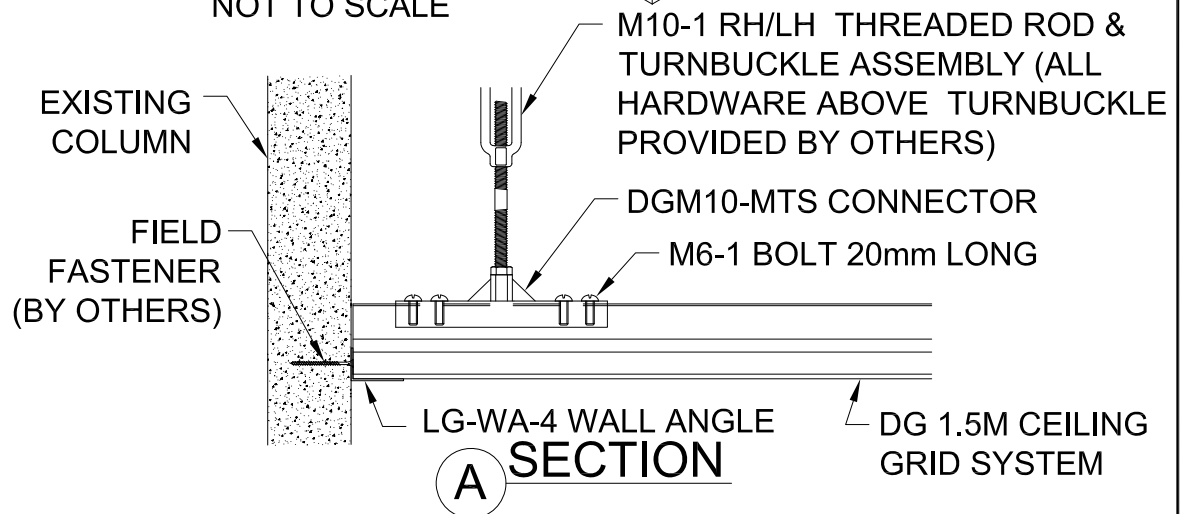
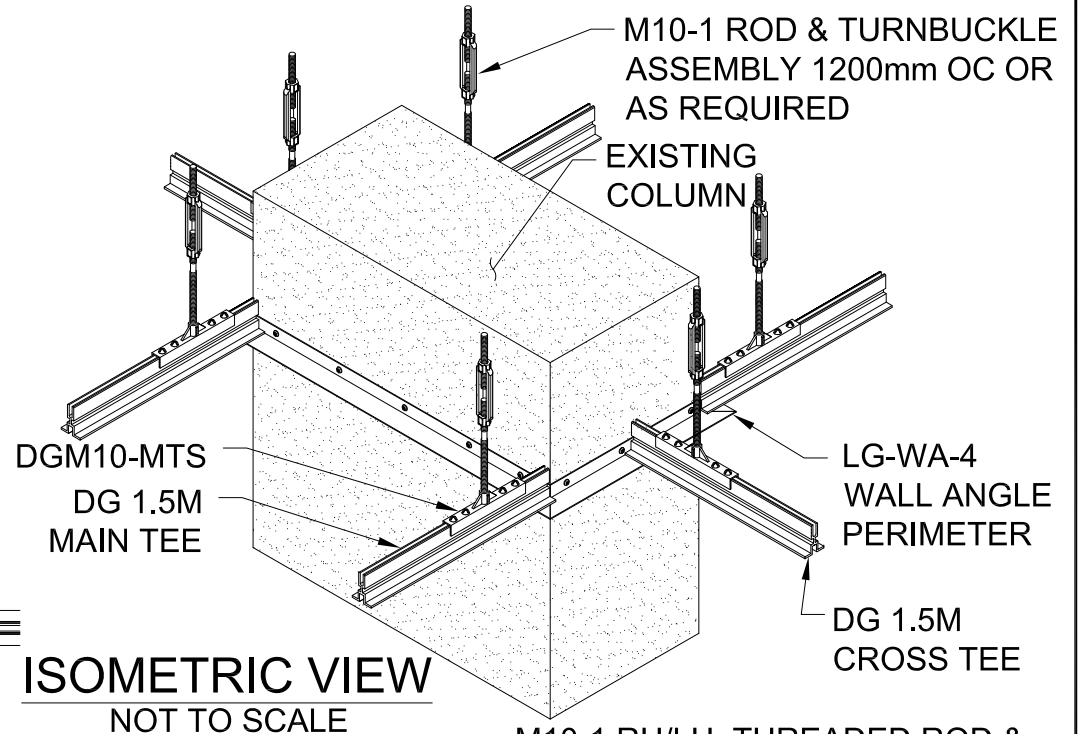
GORDON[®]
ARCHITECTURAL+ENGINEERED SOLUTIONS

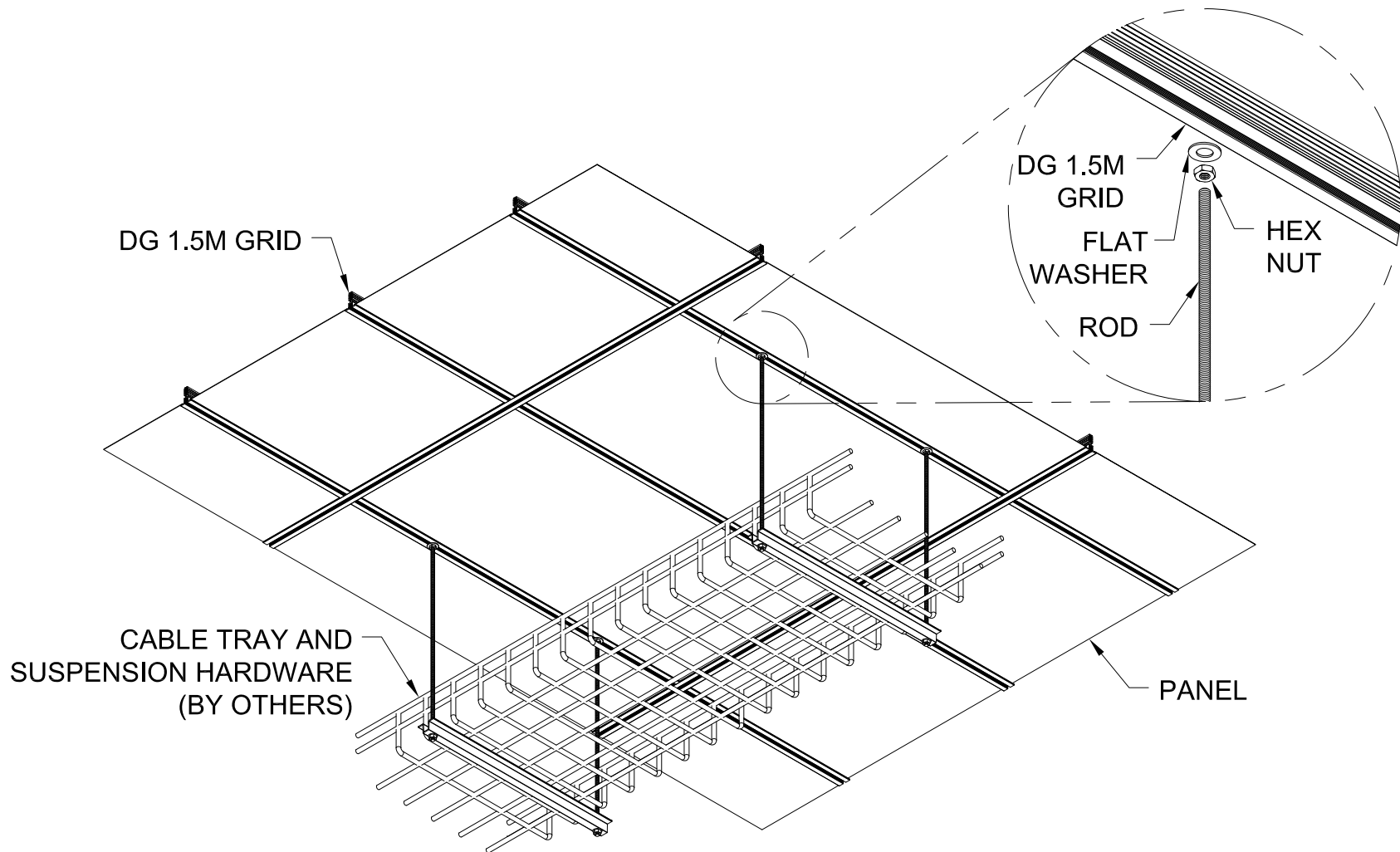
5023 Hazel Jones Rd.
Bossier City, LA 71111
800.747.8954
GORDON-INC.COM
sales@gordon-inc.com

DATA CENTER CEILINGS
STRUCTURAL GRID – DG 1.5M
FLOATING PERIMETER SECTION



PLAN VIEW
NOT TO SCALE

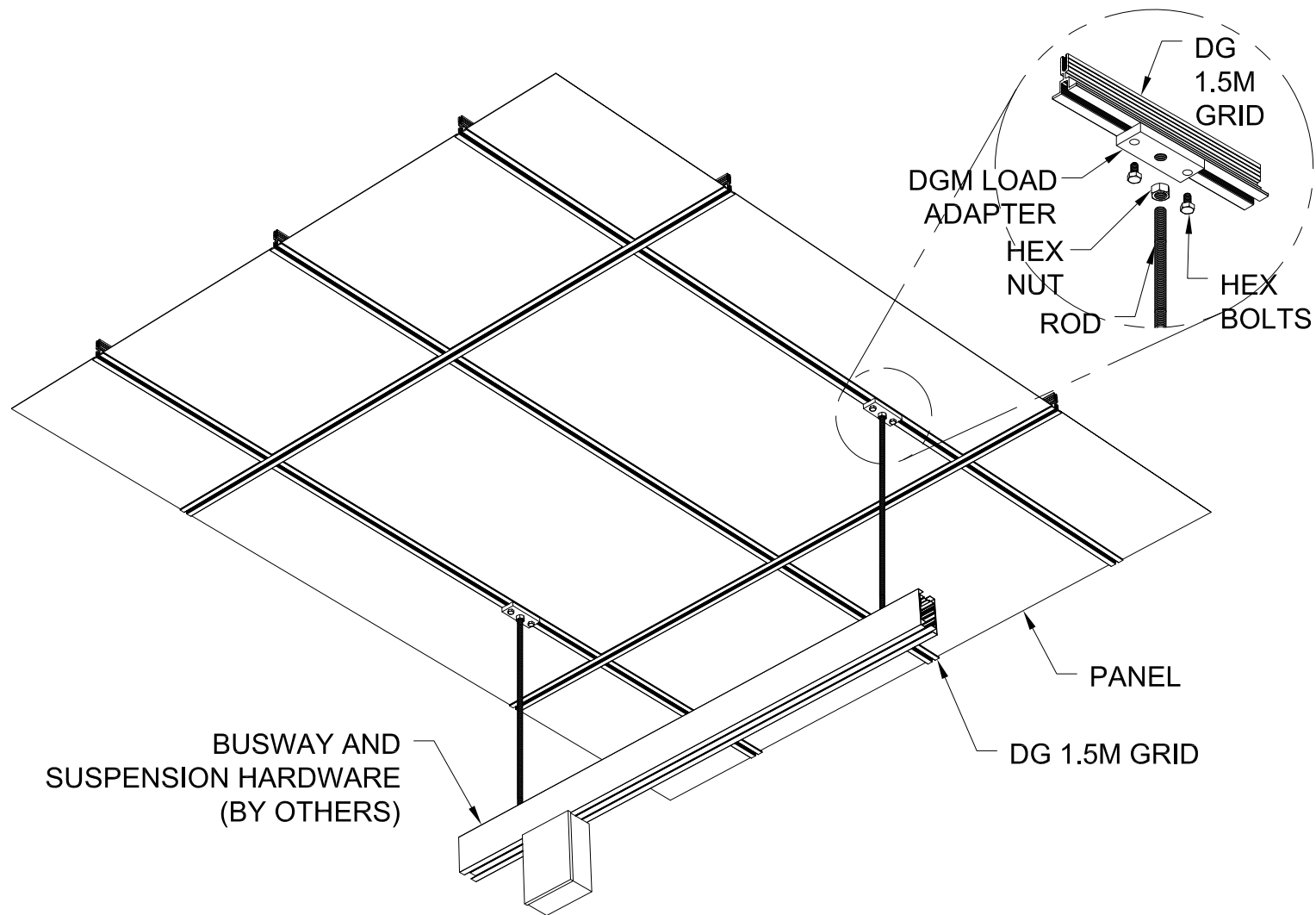




GORDON®
ARCHITECTURAL+ENGINEERED SOLUTIONS

5023 Hazel Jones Rd.
Bossier City, LA 71111
800.747.8954
GORDON-INC.COM
sales@gordon-inc.com

DATA CENTER CEILINGS
STRUCTURAL GRID – DG 1.5M
CABLE TRAY INSTALLATION



GORDON®
ARCHITECTURAL+ENGINEERED SOLUTIONS

5023 Hazel Jones Rd.
Bossier City, LA 71111
800.747.8954
GORDON-INC.COM
sales@gordon-inc.com

DATA CENTER CEILINGS
STRUCTURAL GRID – DG 1.5M
BUSWAY INSTALLATION WITH LOAD ADAPTER

