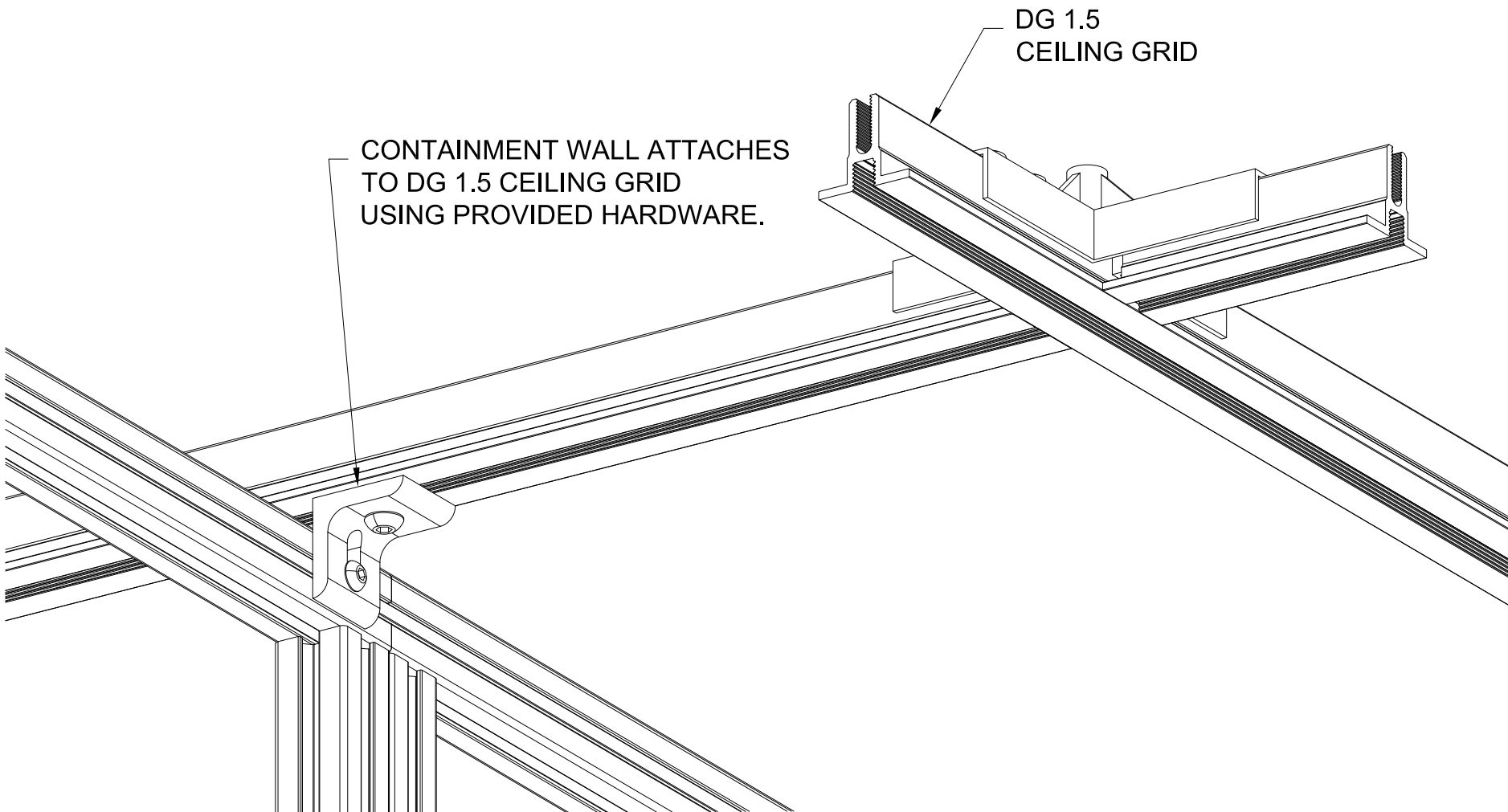


**GORDON**<sup>®</sup>  
ARCHITECTURAL+ENGINEERED SOLUTIONS

5023 Hazel Jones Rd.  
Bossier City, LA 71111  
800.747.8954  
GORDON-INC.COM  
sales@gordon-inc.com

TITLE

# GORDON CONTAINMENT ISOMETRIC DETAIL



CONTAINMENT WALL ATTACHES TO DG 1.5 CEILING GRID USING PROVIDED HARDWARE.

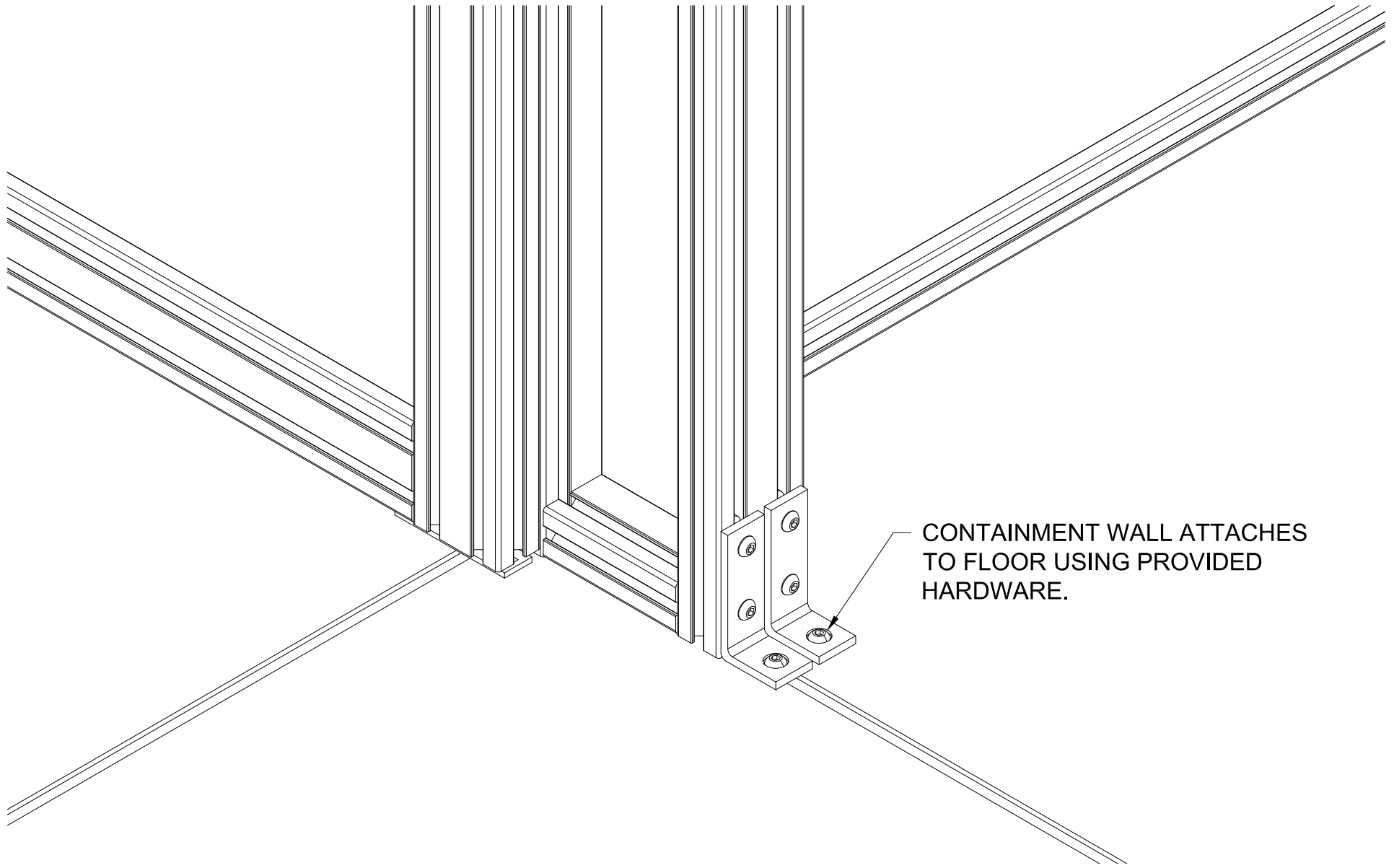
DG 1.5 CEILING GRID

**GORDON**<sup>®</sup>  
ARCHITECTURAL+ENGINEERED SOLUTIONS

5023 Hazel Jones Rd.  
Bossier City, LA 71111  
800.747.8954  
GORDON-INC.COM  
sales@gordon-inc.com

TITLE

GORDON CONTAINMENT  
DETAIL A



CONTAINMENT WALL ATTACHES TO FLOOR USING PROVIDED HARDWARE.

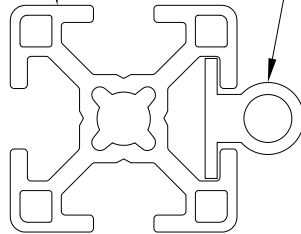
**GORDON**<sup>®</sup>  
ARCHITECTURAL+ENGINEERED SOLUTIONS

5023 Hazel Jones Rd.  
Bossier City, LA 71111  
800.747.8954  
GORDON-INC.COM  
sales@gordon-inc.com

TITLE

# GORDON CONTAINMENT DETAIL B

CONTAINMENT WALL



T-BULB GASKET SEALS OPENING  
BETWEEN SERVER CABINETS  
AND CONTAINMENT WALL TO  
MAINTAIN A CONTROLLED CLIMATE.

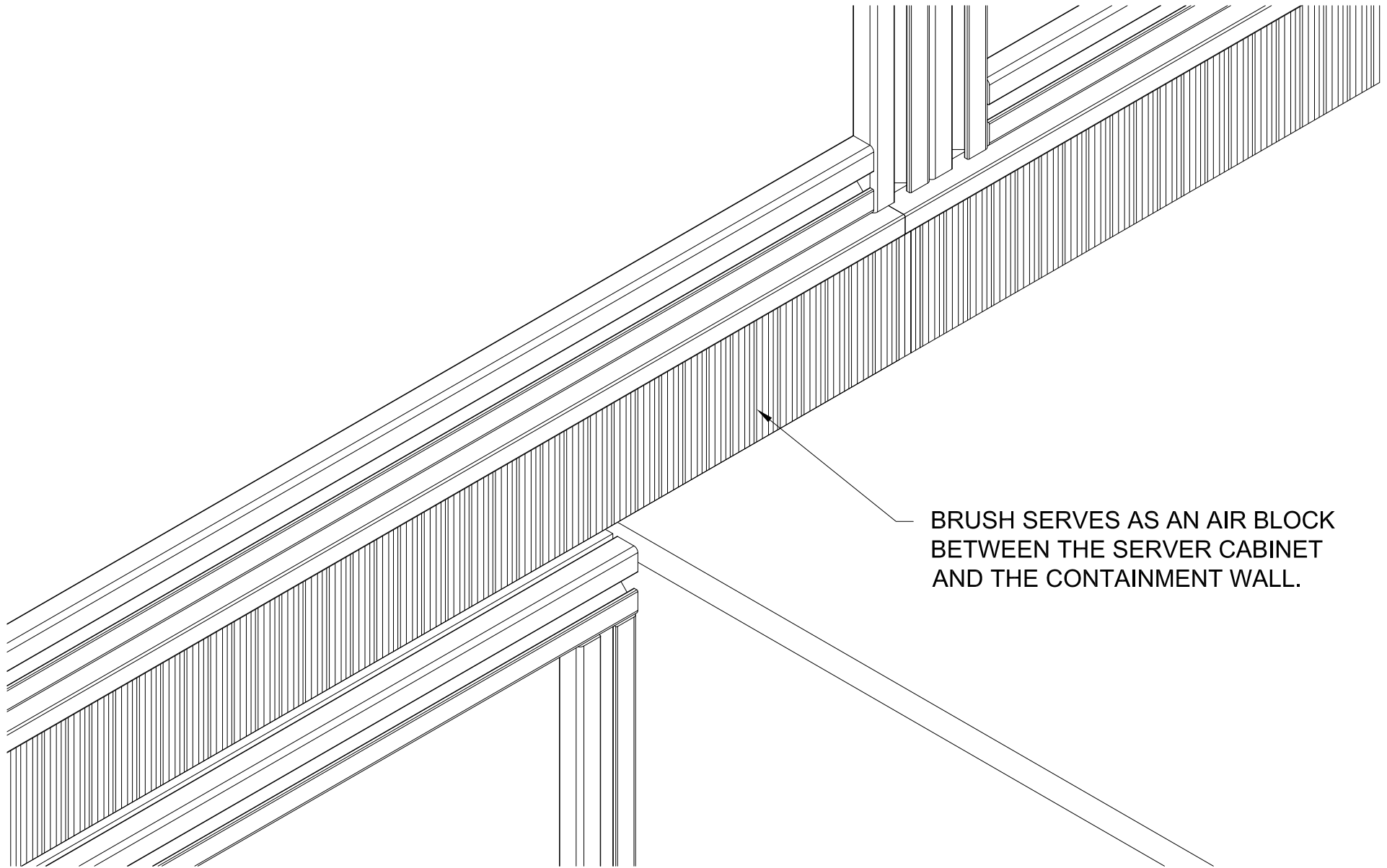
SERVER CABINET

**GORDON**<sup>®</sup>  
ARCHITECTURAL+ENGINEERED SOLUTIONS

5023 Hazel Jones Rd.  
Bossier City, LA 71111  
800.747.8954  
GORDON-INC.COM  
sales@gordon-inc.com

TITLE

**GORDON CONTAINMENT  
DETAIL C**



BRUSH SERVES AS AN AIR BLOCK  
BETWEEN THE SERVER CABINET  
AND THE CONTAINMENT WALL.

**GORDON**<sup>®</sup>  
ARCHITECTURAL+ENGINEERED SOLUTIONS

5023 Hazel Jones Rd.  
Bossier City, LA 71111  
800.747.8954  
GORDON-INC.COM  
sales@gordon-inc.com

TITLE

# GORDON CONTAINMENT DETAIL D