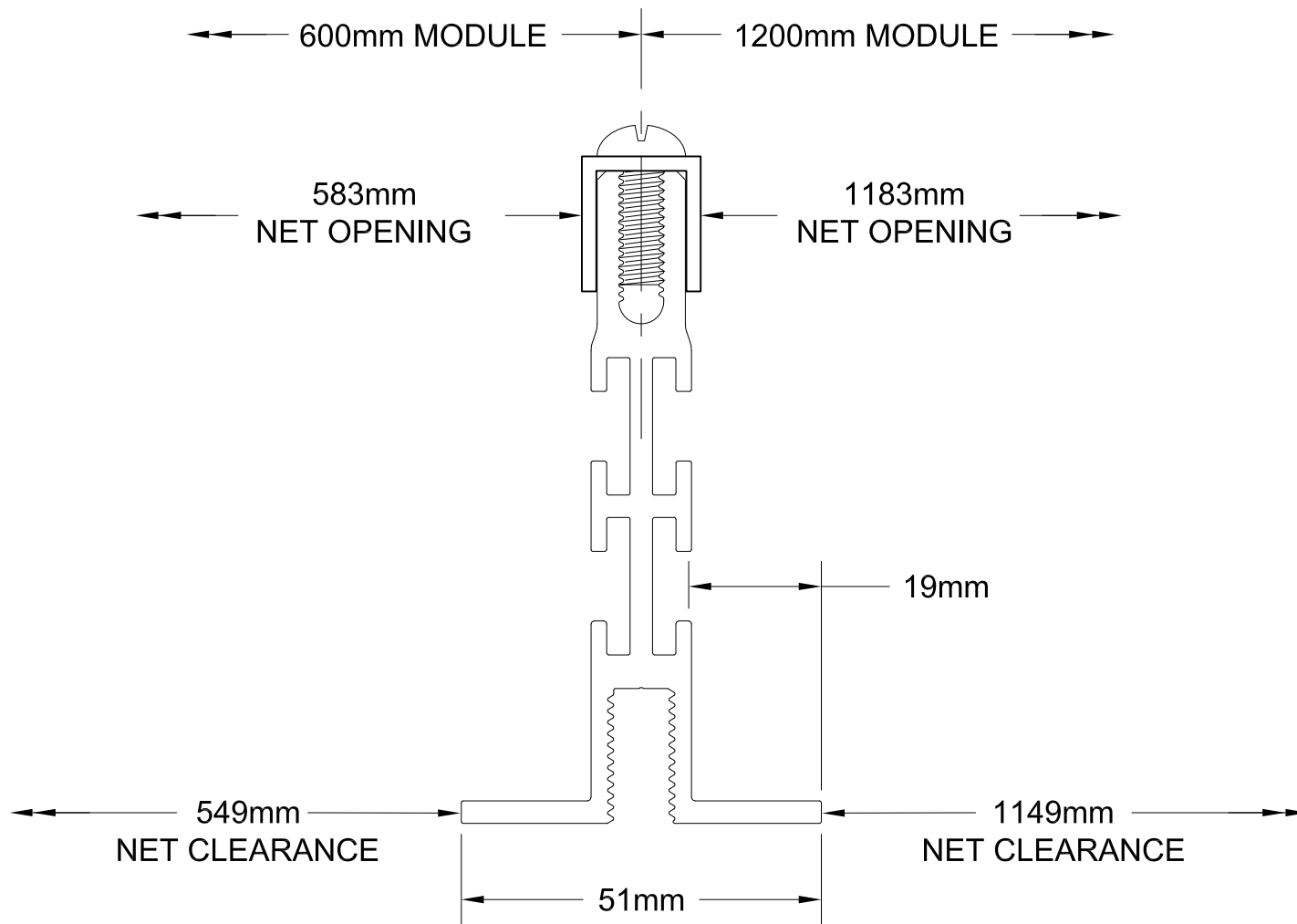


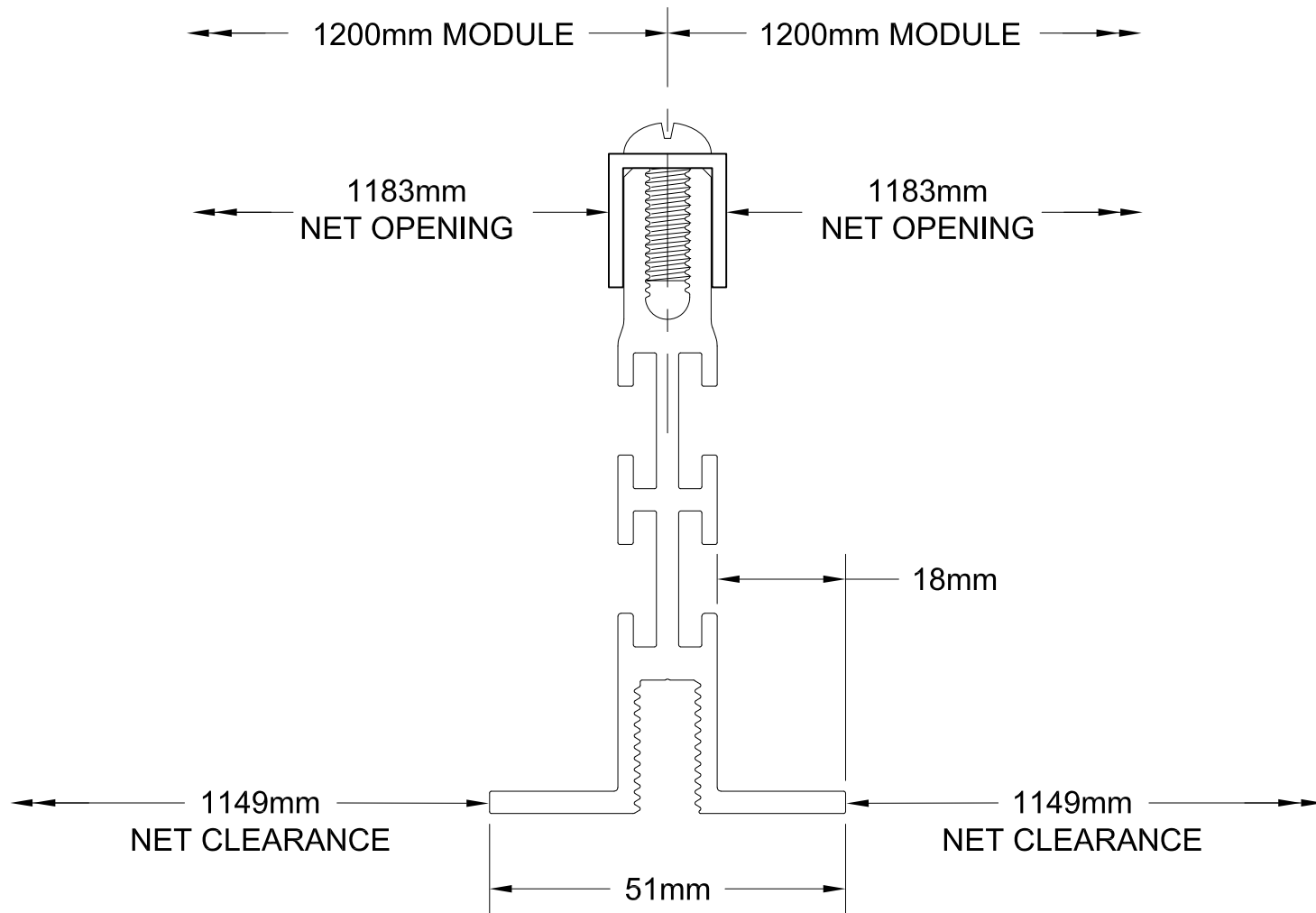
**GORDON**®  
ARCHITECTURAL+ENGINEERED SOLUTIONS

5023 Hazel Jones Rd.  
Bossier City, LA 71111  
800.747.8954  
GORDON-INC.COM  
sales@gordon-inc.com

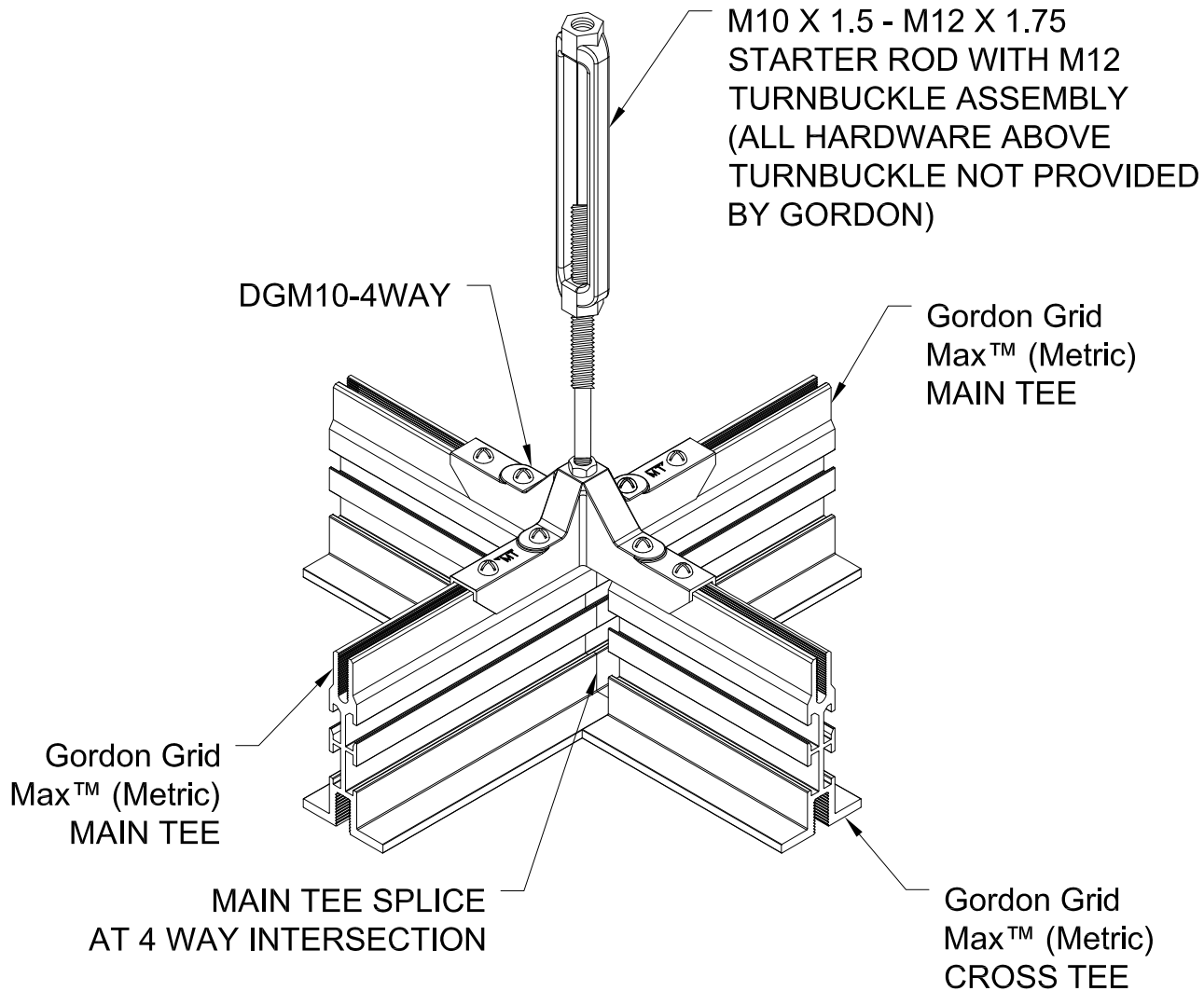
DATA CENTER CEILINGS  
Gordon Grid Max™ (Metric)  
MAIN / CROSS TEE



FIXTURES DIMENSIONS  
 ARE TYPICALLY MODULE SIZE LESS 22mm (MAXIMUM O.D.)



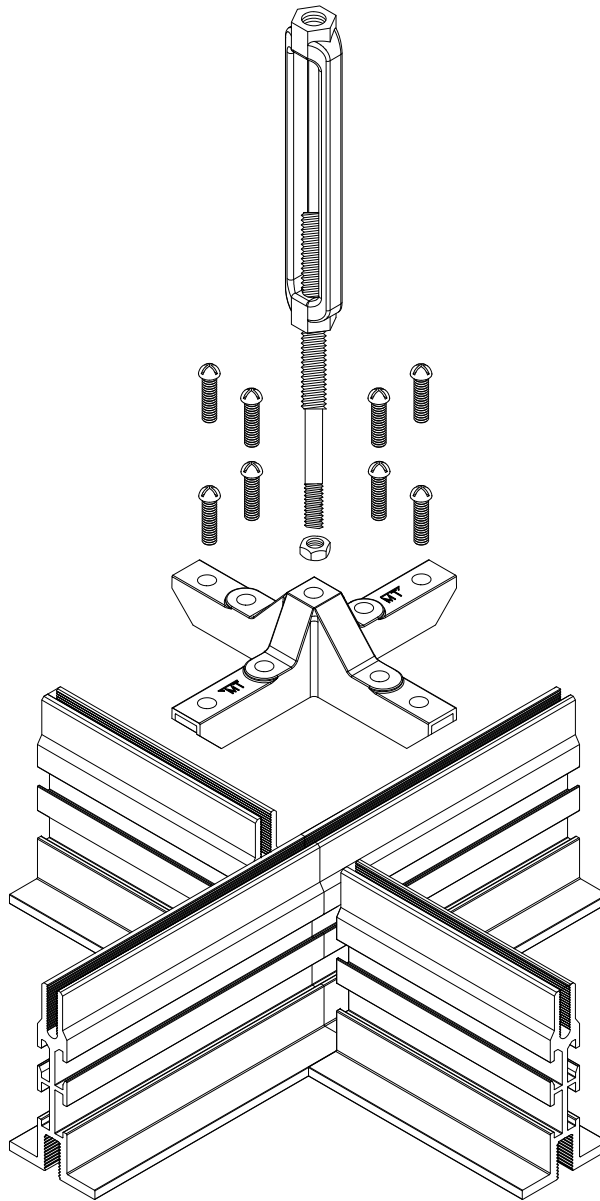
FIXTURES DIMENSIONS  
 ARE TYPICALLY MODULE SIZE LESS 22mm (MAXIMUM O.D.)



**GORDON**®  
ARCHITECTURAL+ENGINEERED SOLUTIONS

5023 Hazel Jones Rd.  
Bossier City, LA 71111  
800.747.8954  
GORDON-INC.COM  
sales@gordon-inc.com

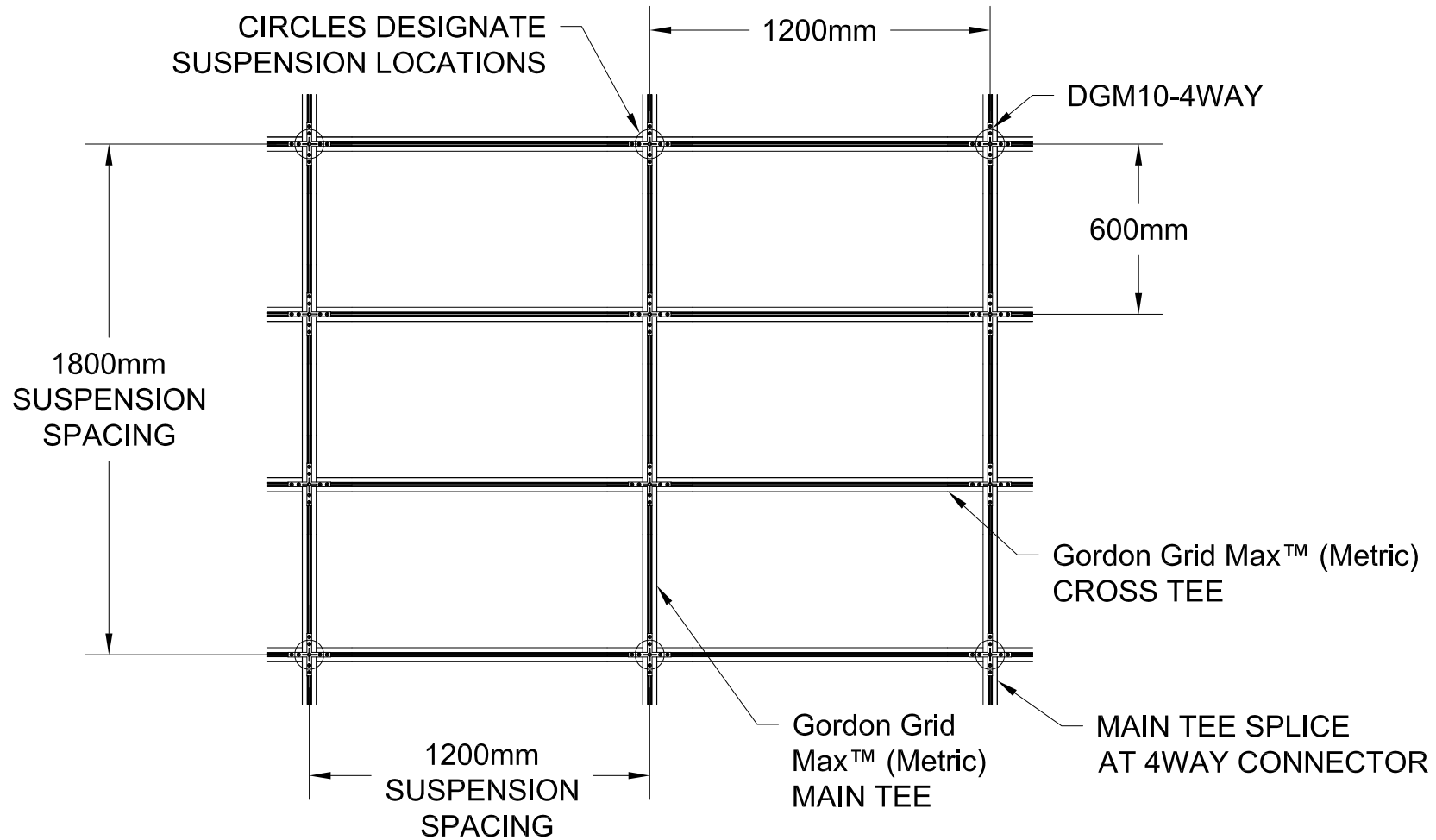
DATA CENTER CEILINGS  
Gordon Grid Max™ (Metric)  
GRID ISOMETRIC



**GORDON**®  
ARCHITECTURAL+ENGINEERED SOLUTIONS

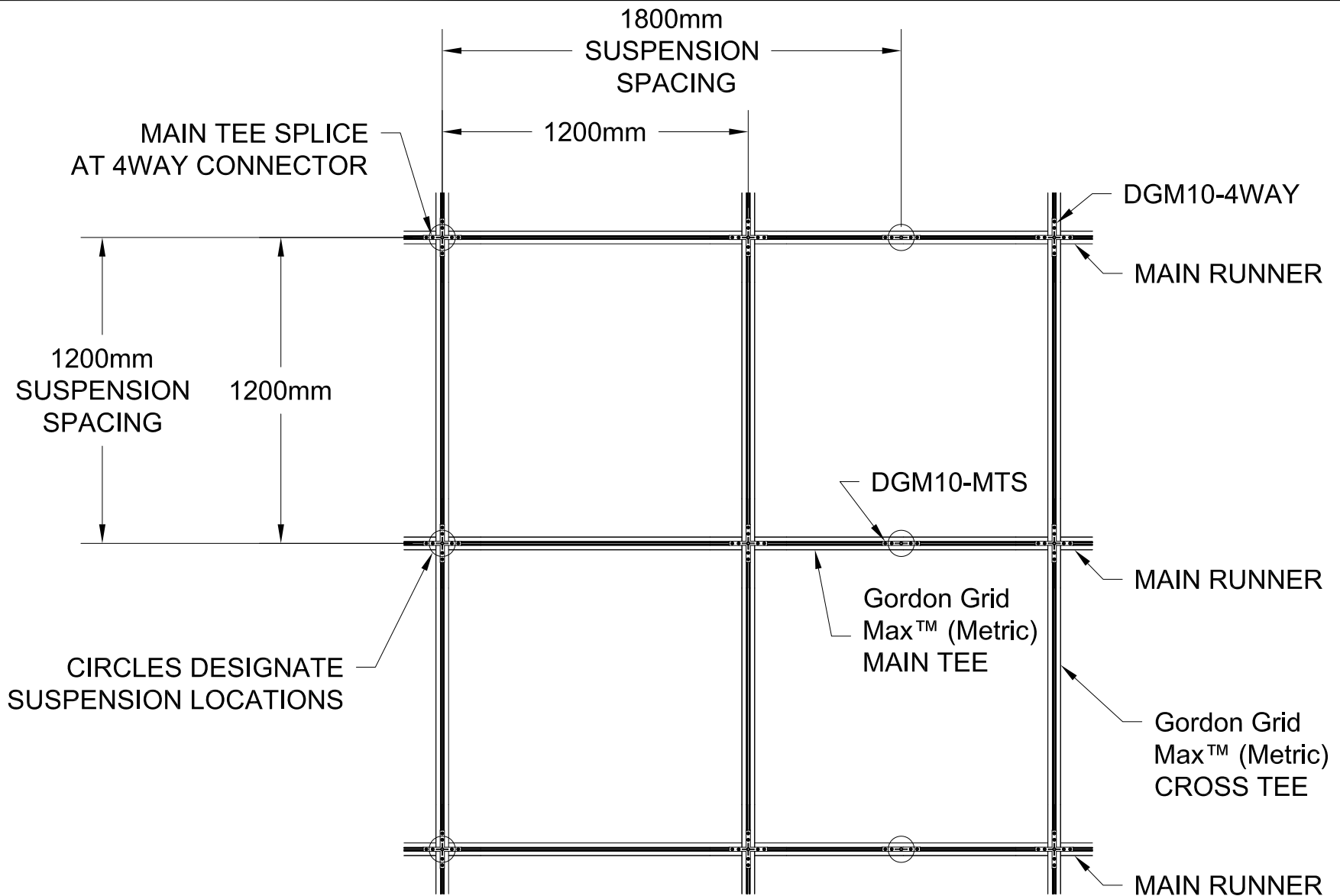
5023 Hazel Jones Rd.  
Bossier City, LA 71111  
800.747.8954  
GORDON-INC.COM  
sales@gordon-inc.com

DATA CENTER CEILINGS  
Gordon Grid Max™ (Metric)  
4-WAY CONNECTOR



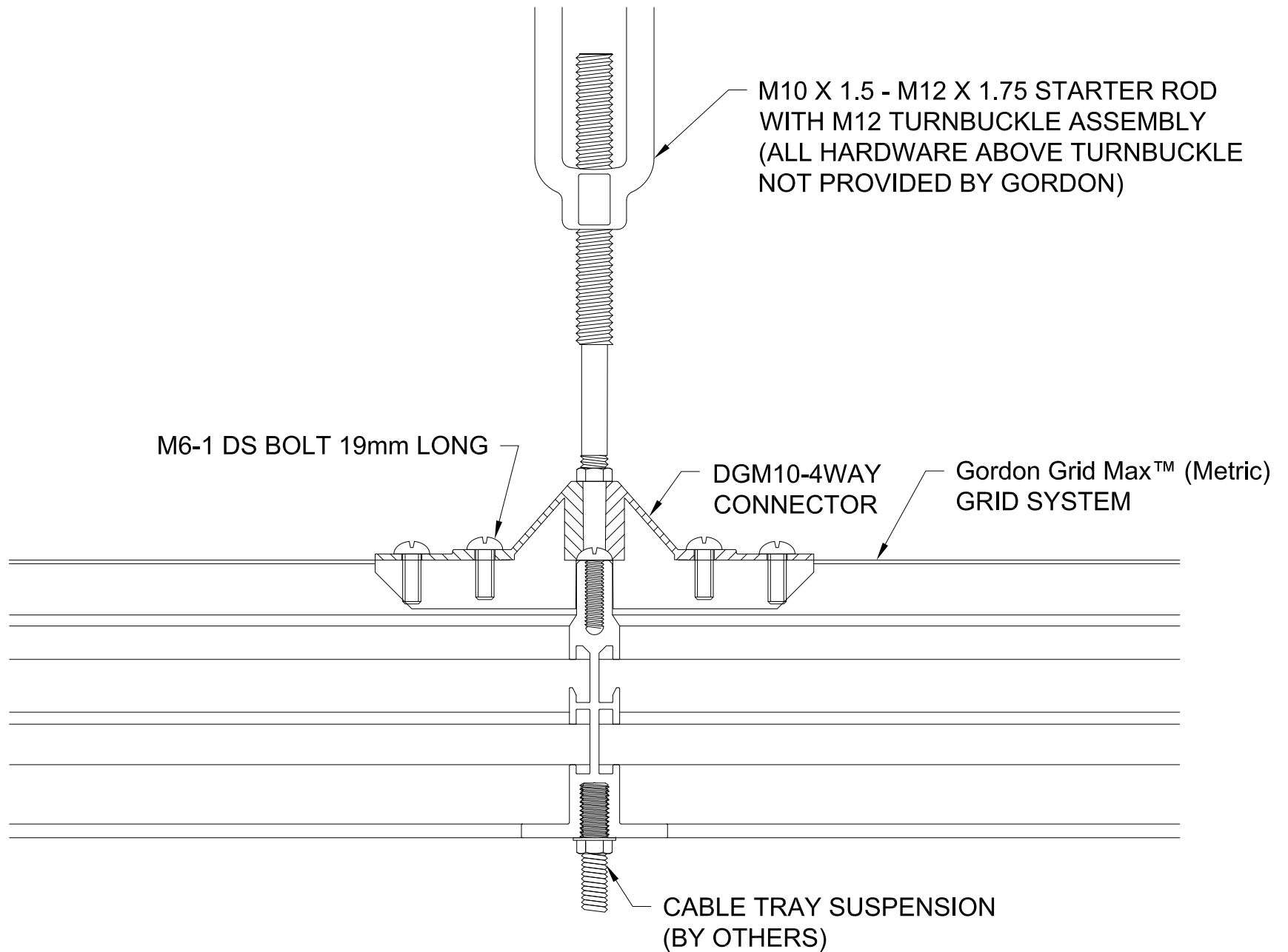
**TYPICAL GRID PLAN**  
NOT TO SCALE

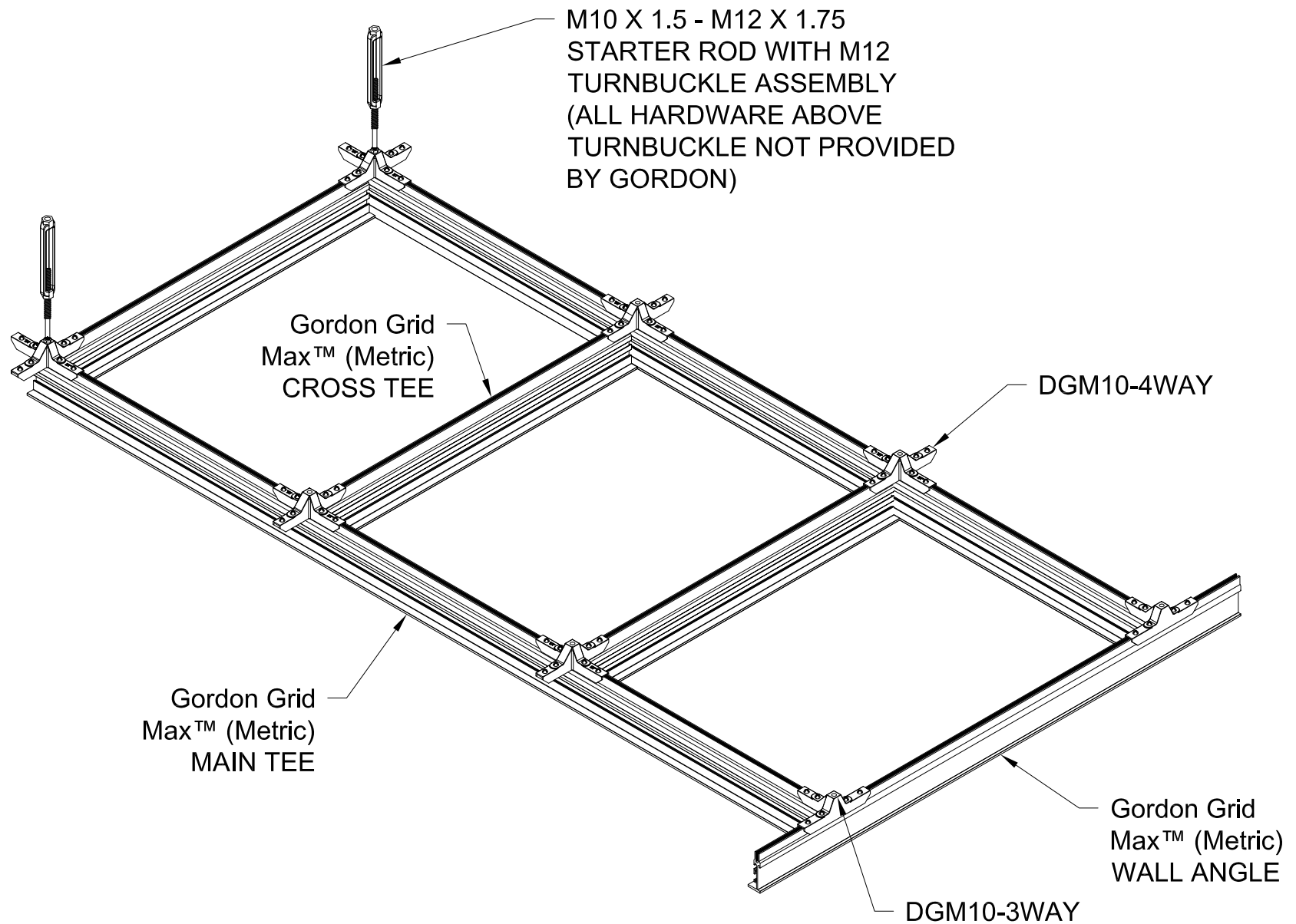
CONTACT GORDON DATA CENTER PRODUCTS DIVISION  
FOR INFORMATION ON PANEL OPTIONS AND DataLUME LIGHT  
FIXTURES SIZED TO FIT THIS GRID MODULE

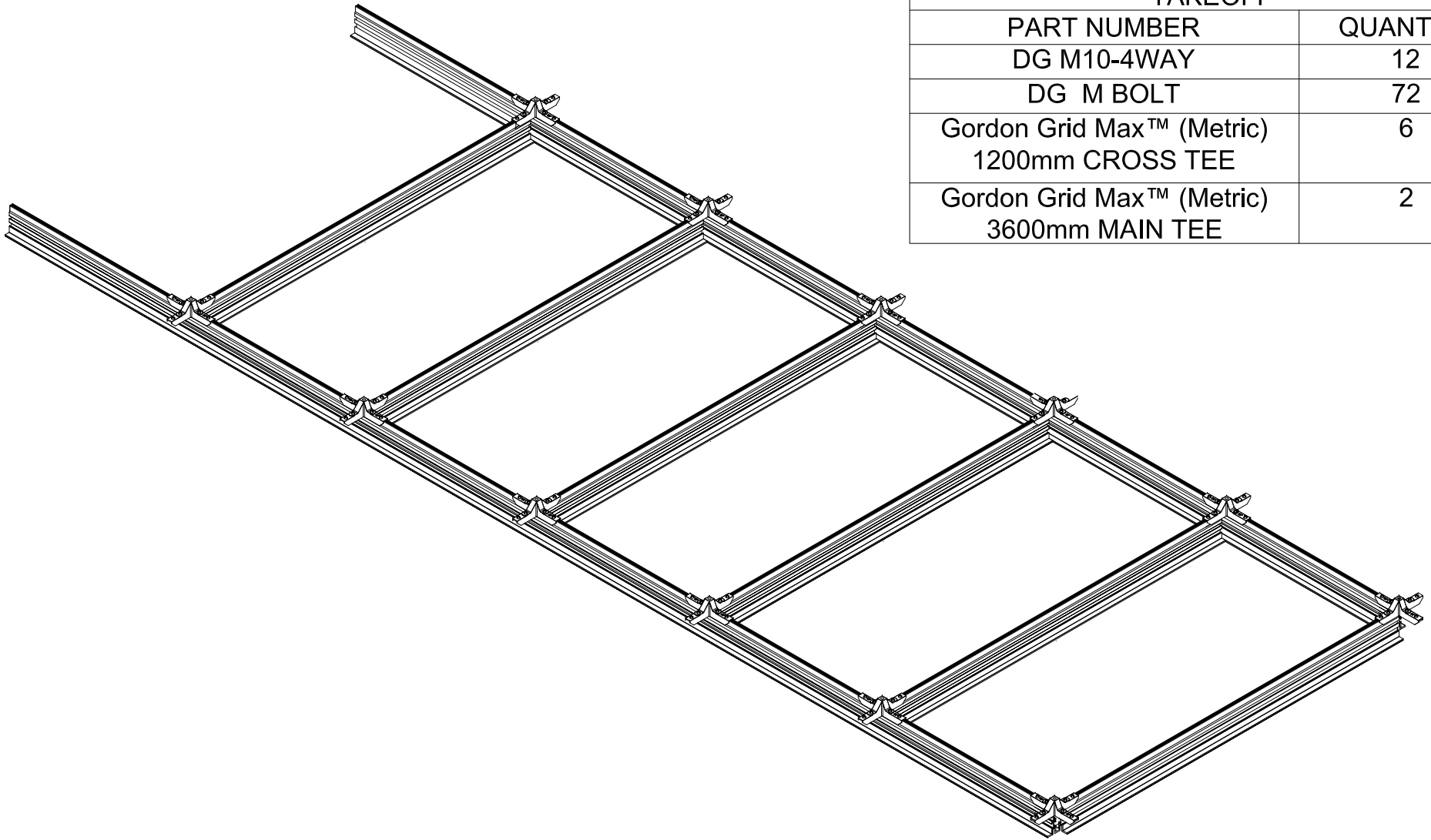


CONTACT GORDON DATA CENTER PRODUCTS DIVISION  
 FOR INFORMATION ON PANEL OPTIONS AND DataLUME LIGHT  
 FIXTURES SIZED TO FIT THIS GRID MODULE

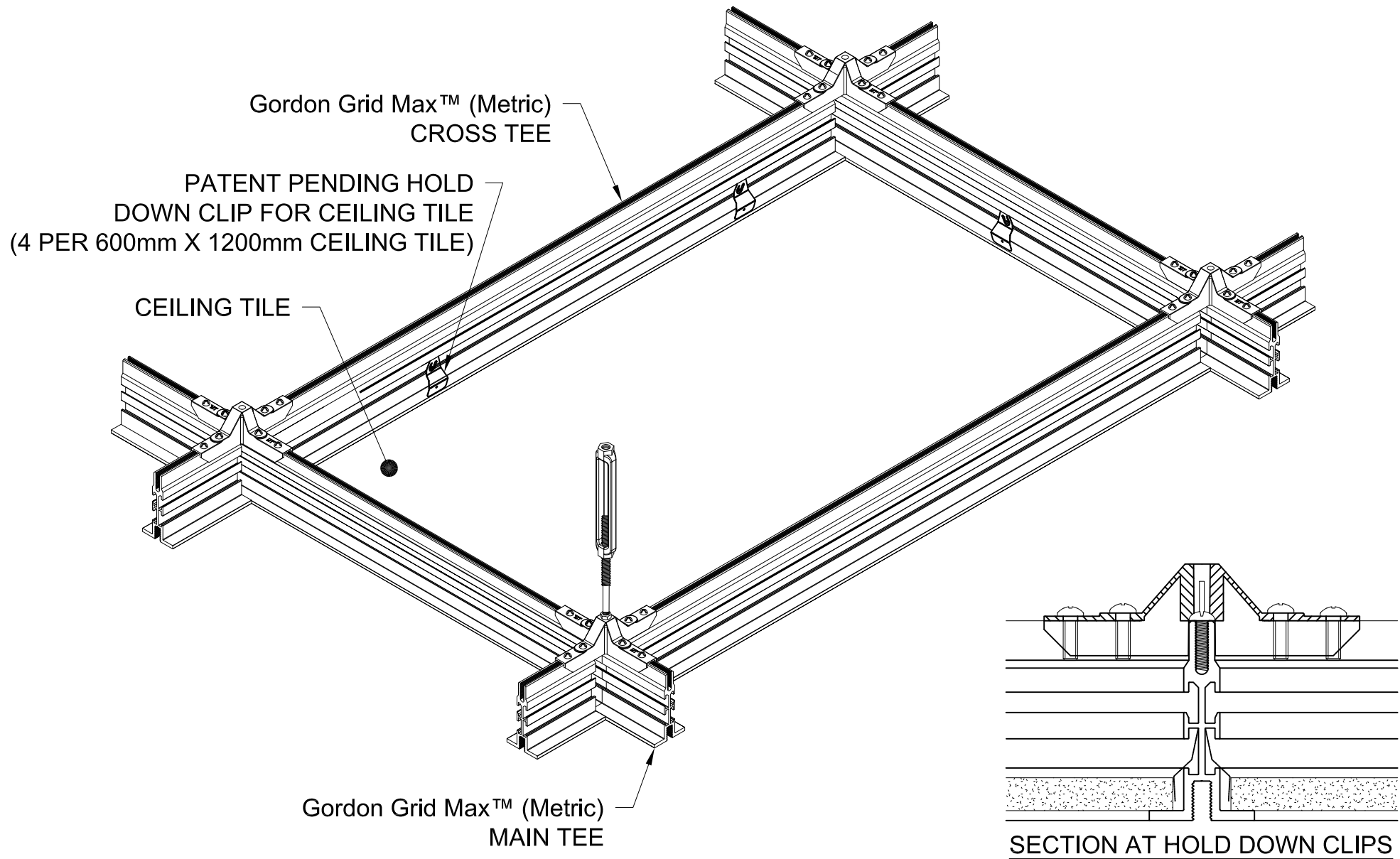
**TYPICAL GRID PLAN**  
 NOT TO SCALE







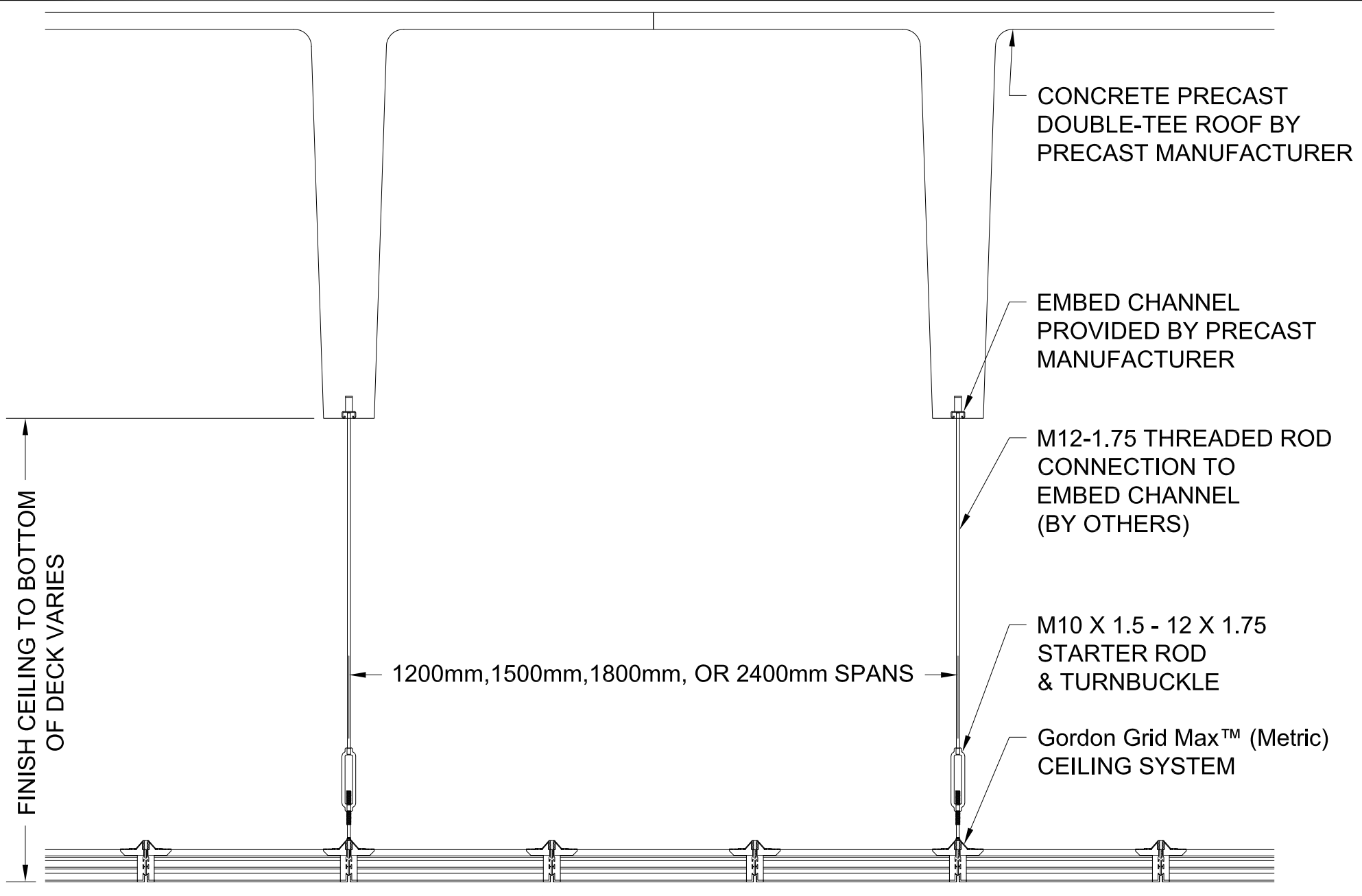
LADDER CONSTRUCTION TAKEOFF		MATERIAL
PART NUMBER	QUANTITY	
DG M10-4WAY	12	
DG M BOLT	72	
Gordon Grid Max™ (Metric) 1200mm CROSS TEE	6	
Gordon Grid Max™ (Metric) 3600mm MAIN TEE	2	



**GORDON**®  
ARCHITECTURAL+ENGINEERED SOLUTIONS

5023 Hazel Jones Rd.  
Bossier City, LA 71111  
800.747.8954  
GORDON-INC.COM  
sales@gordon-inc.com

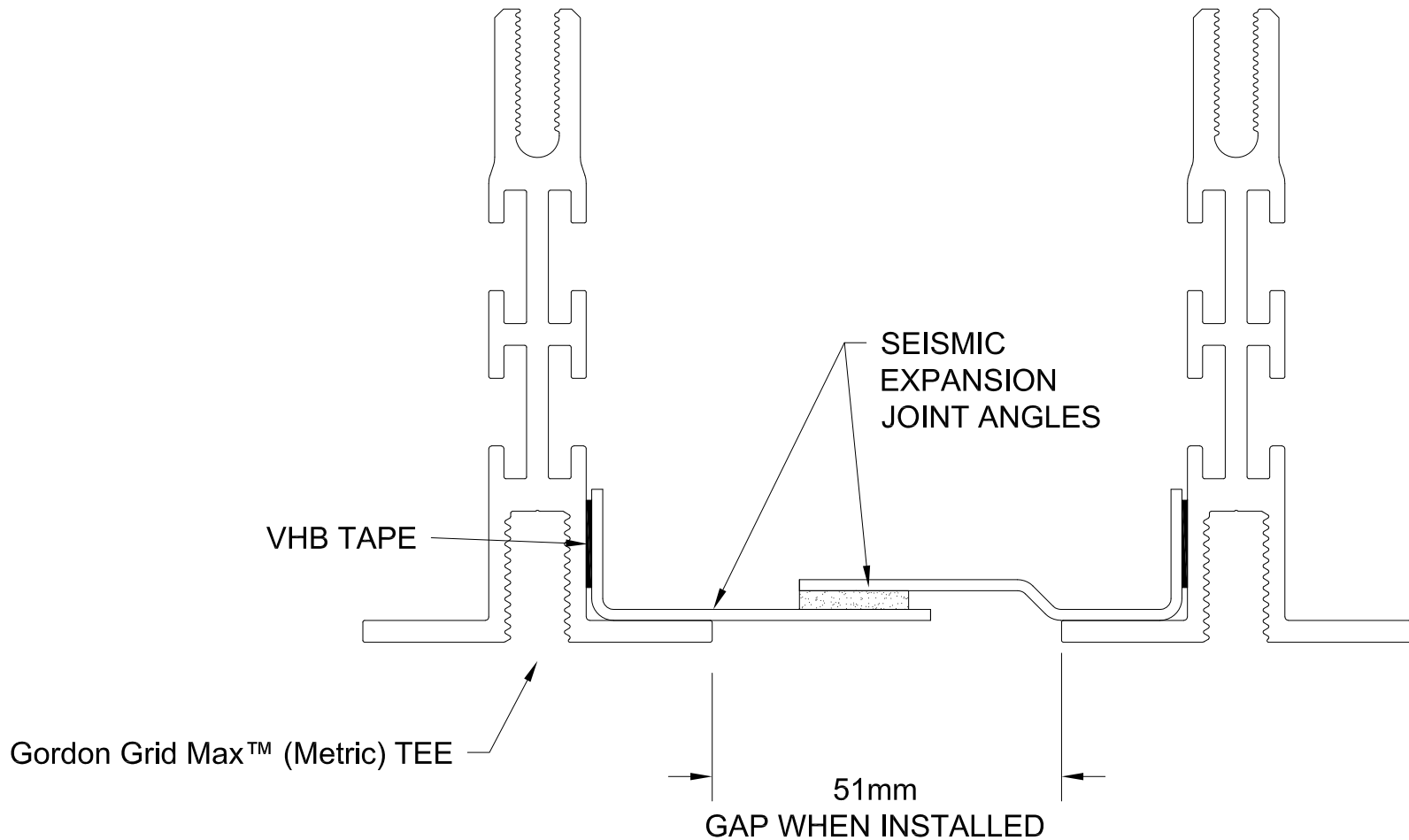
DATA CENTER CEILINGS  
Gordon Grid Max™ (Metric)  
HOLD DOWN CLIPS

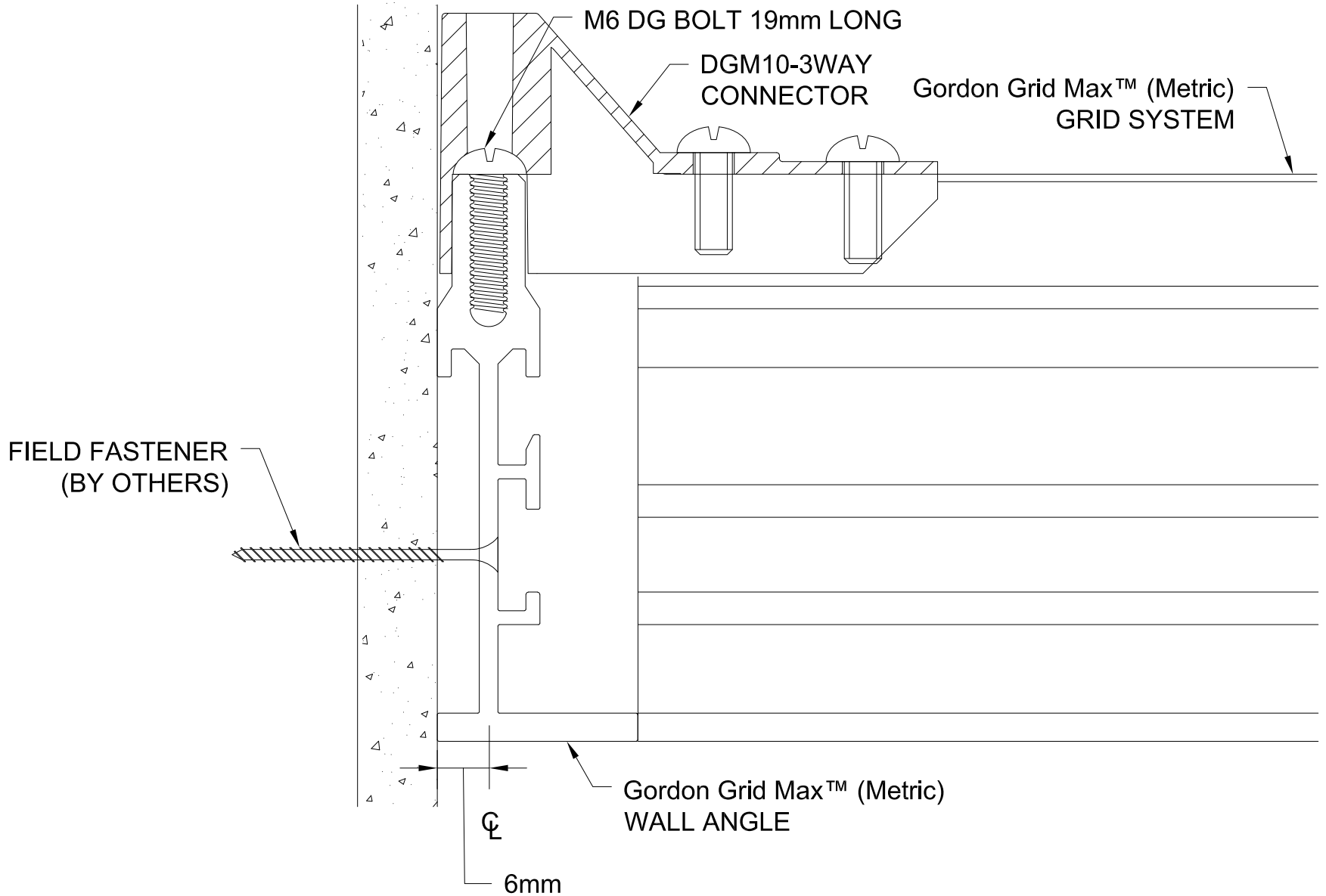


**GORDON**®  
ARCHITECTURAL+ENGINEERED SOLUTIONS

5023 Hazel Jones Rd.  
Bossier City, LA 71111  
800.747.8954  
GORDON-INC.COM  
sales@gordon-inc.com

**DATA CENTER CEILINGS**  
**Gordon Grid Max™ (Metric)**  
**SECTION AT STEM ANCHOR**

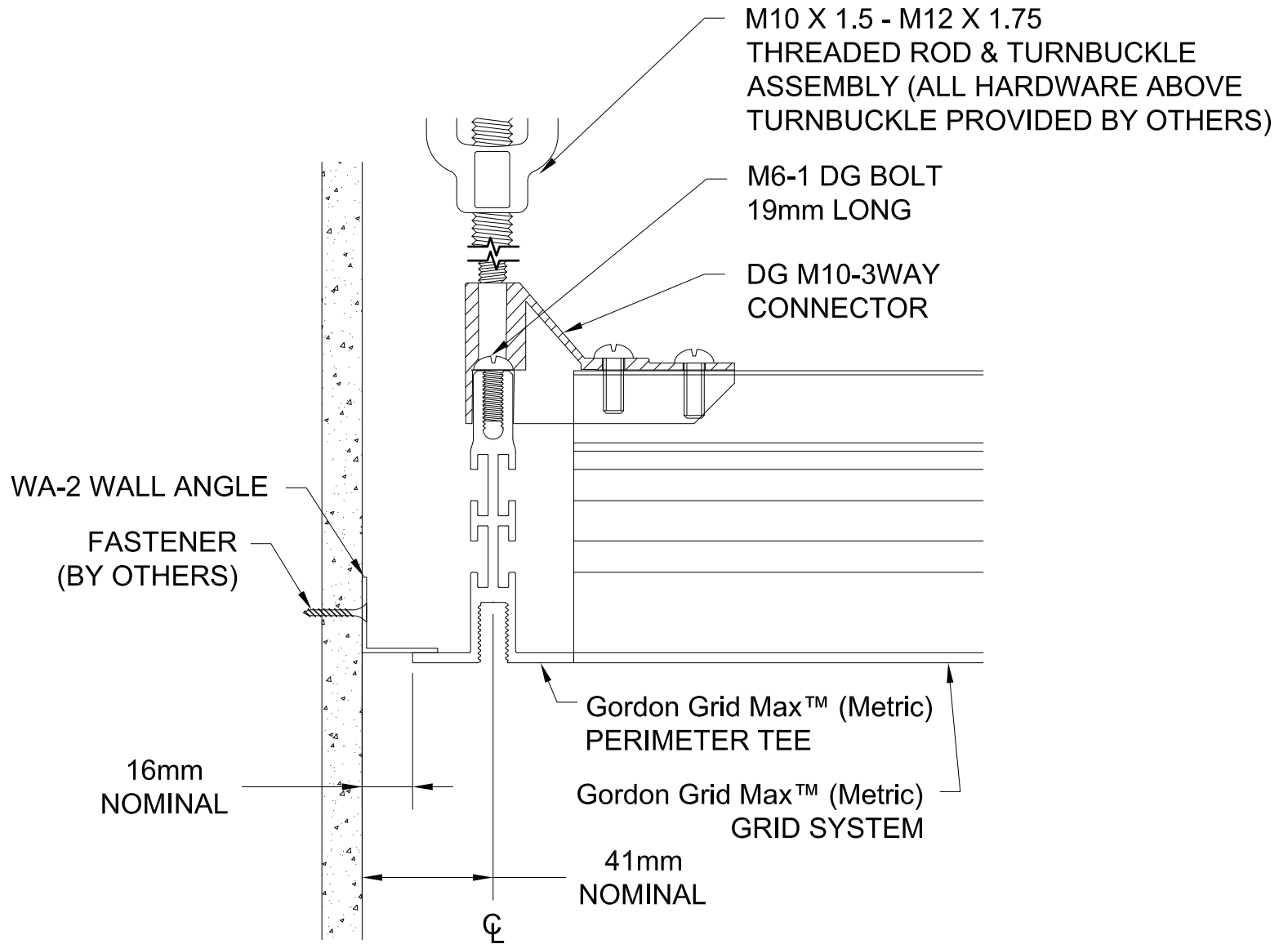




**GORDON**®  
ARCHITECTURAL+ENGINEERED SOLUTIONS

5023 Hazel Jones Rd.  
Bossier City, LA 71111  
800.747.8954  
GORDON-INC.COM  
sales@gordon-inc.com

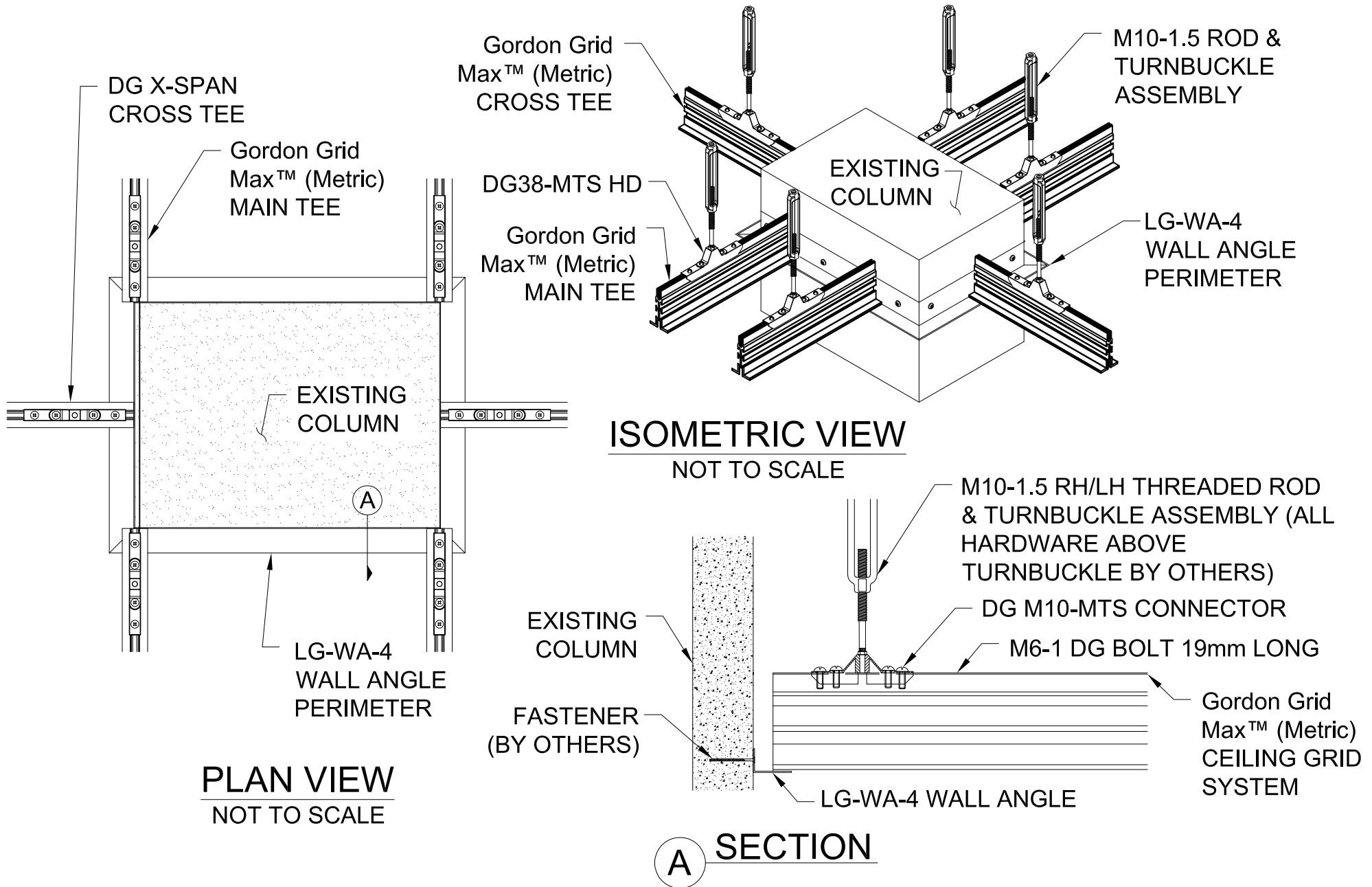
DATA CENTER CEILINGS  
Gordon Grid Max™ (Metric)  
FIXED PERIMETER SECTION

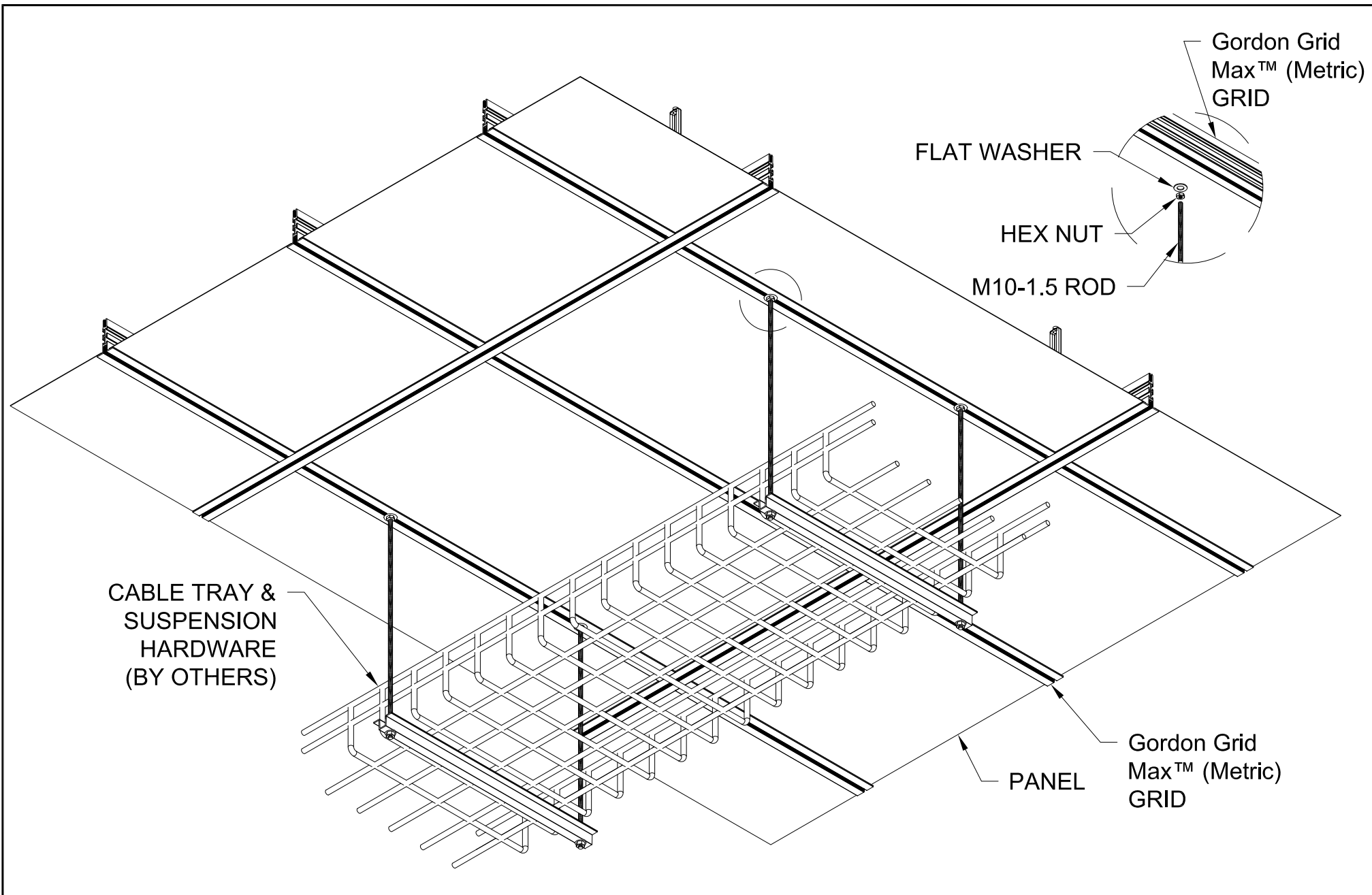


**GORDON**®  
ARCHITECTURAL+ENGINEERED SOLUTIONS

5023 Hazel Jones Rd.  
Bossier City, LA 71111  
800.747.8954  
GORDON-INC.COM  
sales@gordon-inc.com

DATA CENTER CEILINGS  
Gordon Grid Max™ (Metric)  
FLOATING PERIMETER SECTION

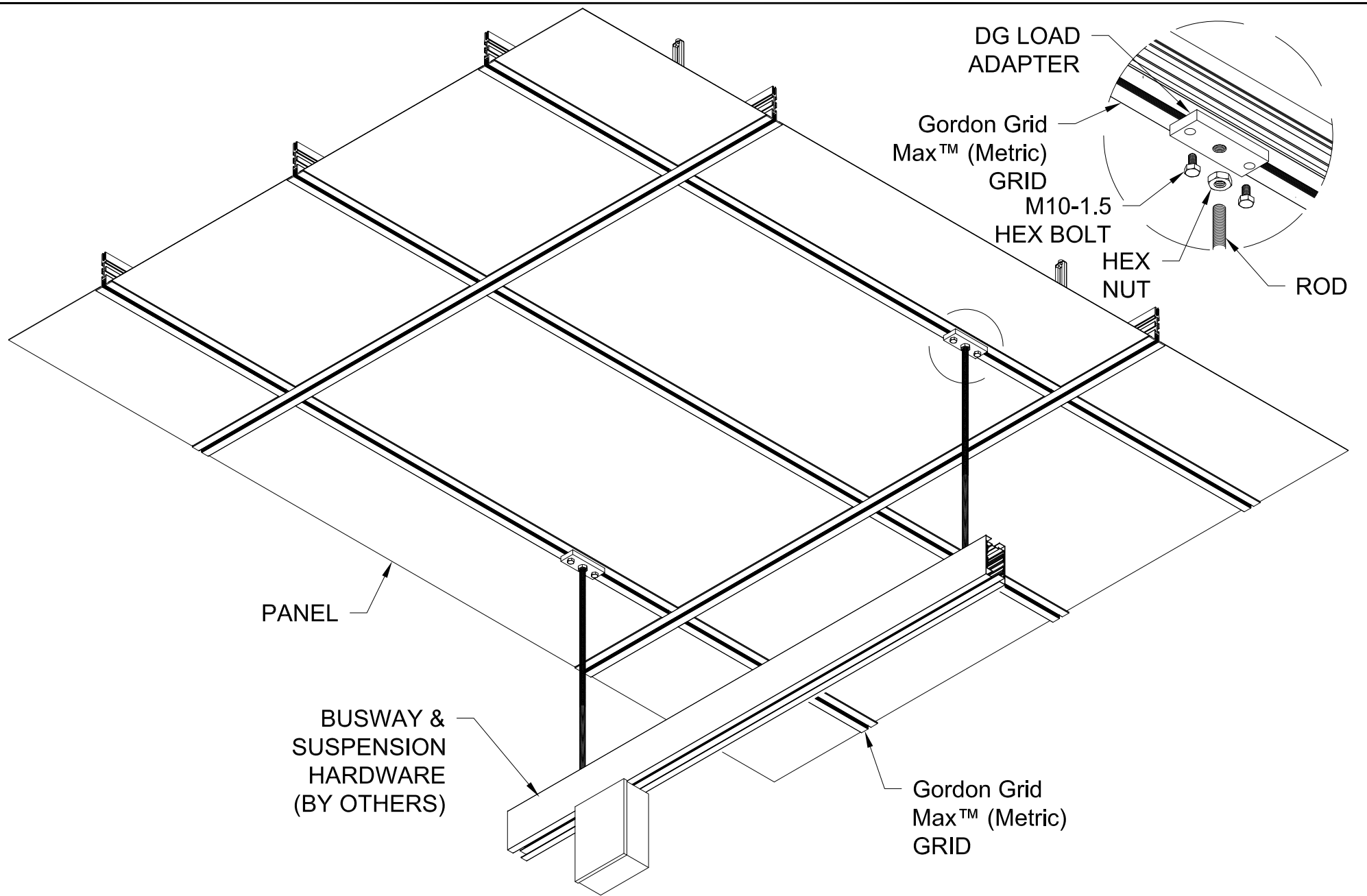




**GORDON**®  
ARCHITECTURAL+ENGINEERED SOLUTIONS

5023 Hazel Jones Rd.  
Bossier City, LA 71111  
800.747.8954  
GORDON-INC.COM  
sales@gordon-inc.com

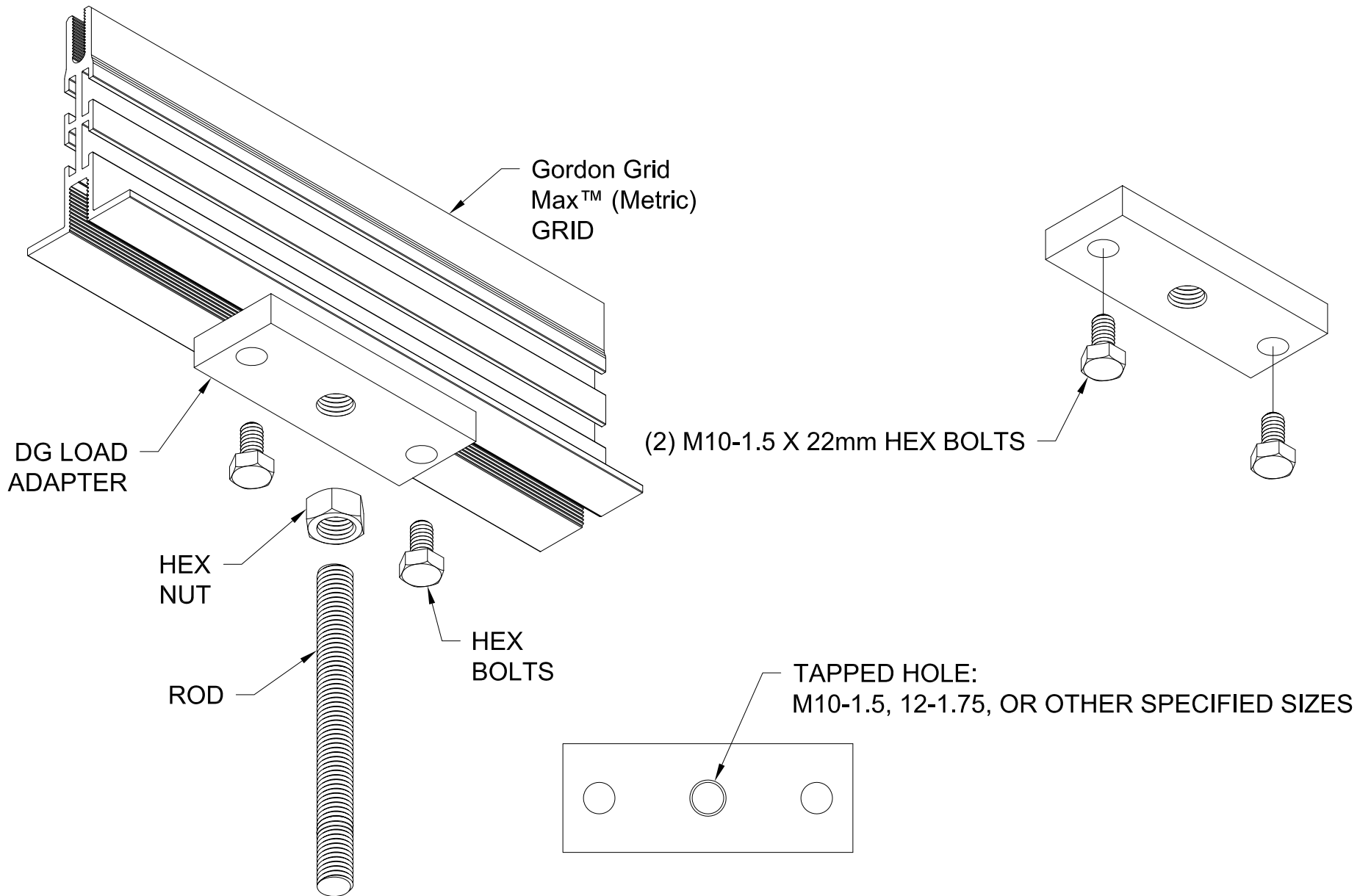
DATA CENTER CEILINGS  
Gordon Grid Max™ (Metric)  
CABLE TRAY INSTALLATION

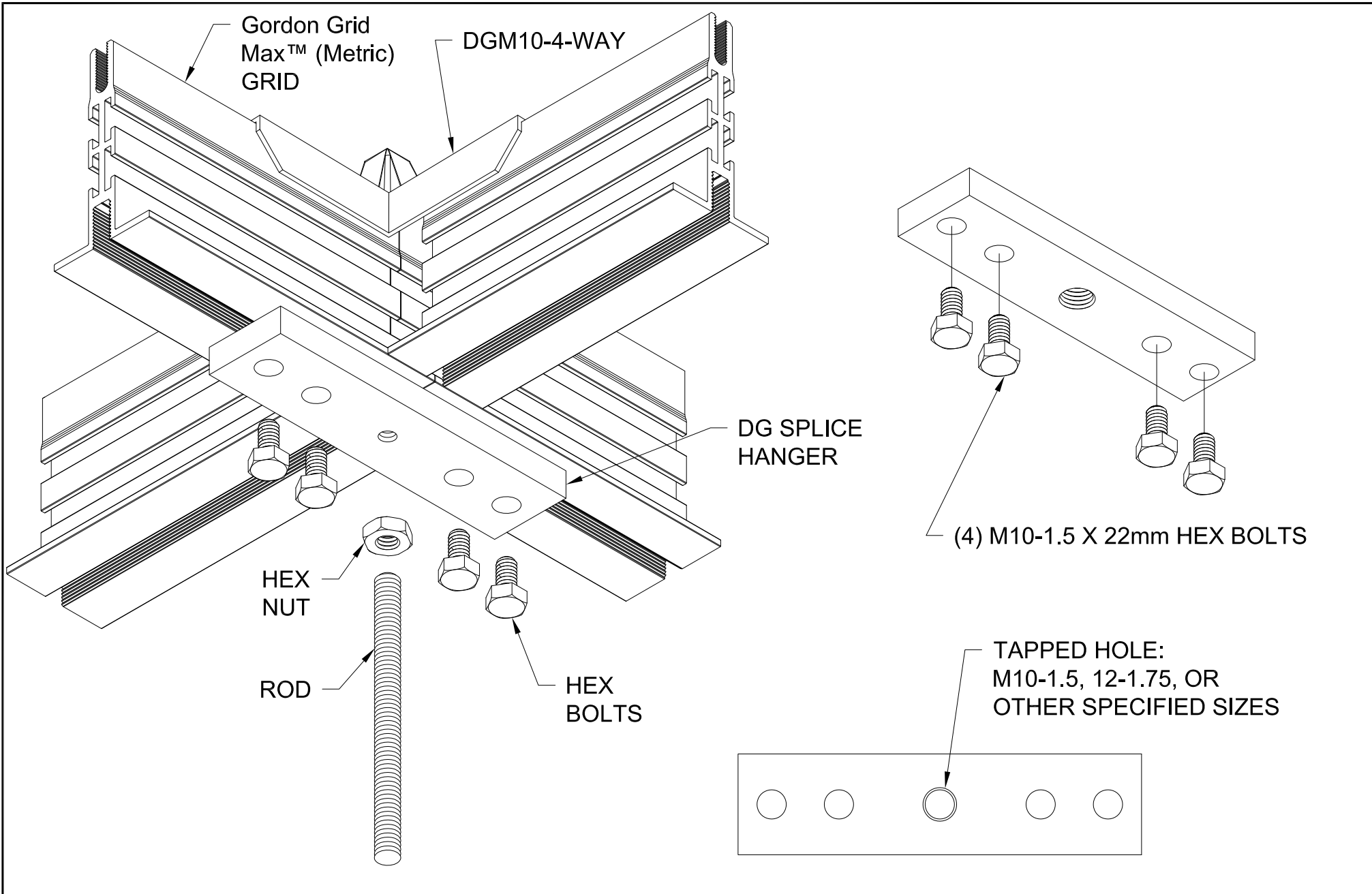


**GORDON**®  
 ARCHITECTURAL+ENGINEERED SOLUTIONS

5023 Hazel Jones Rd.  
 Bossier City, LA 71111  
 800.747.8954  
 GORDON-INC.COM  
 sales@gordon-inc.com

DATA CENTER CEILINGS  
 Gordon Grid Max™ (Metric)  
 BUSWAY INSTALLATION WITH LOAD ADAPTER





**GORDON**®  
ARCHITECTURAL+ENGINEERED SOLUTIONS

5023 Hazel Jones Rd.  
Bossier City, LA 71111  
800.747.8954  
GORDON-INC.COM  
sales@gordon-inc.com

DATA CENTER CEILINGS  
Gordon Grid Max™ (Metric)  
SPLICE HANGER