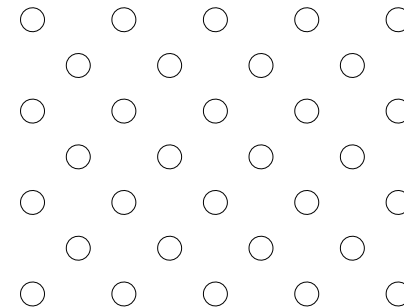
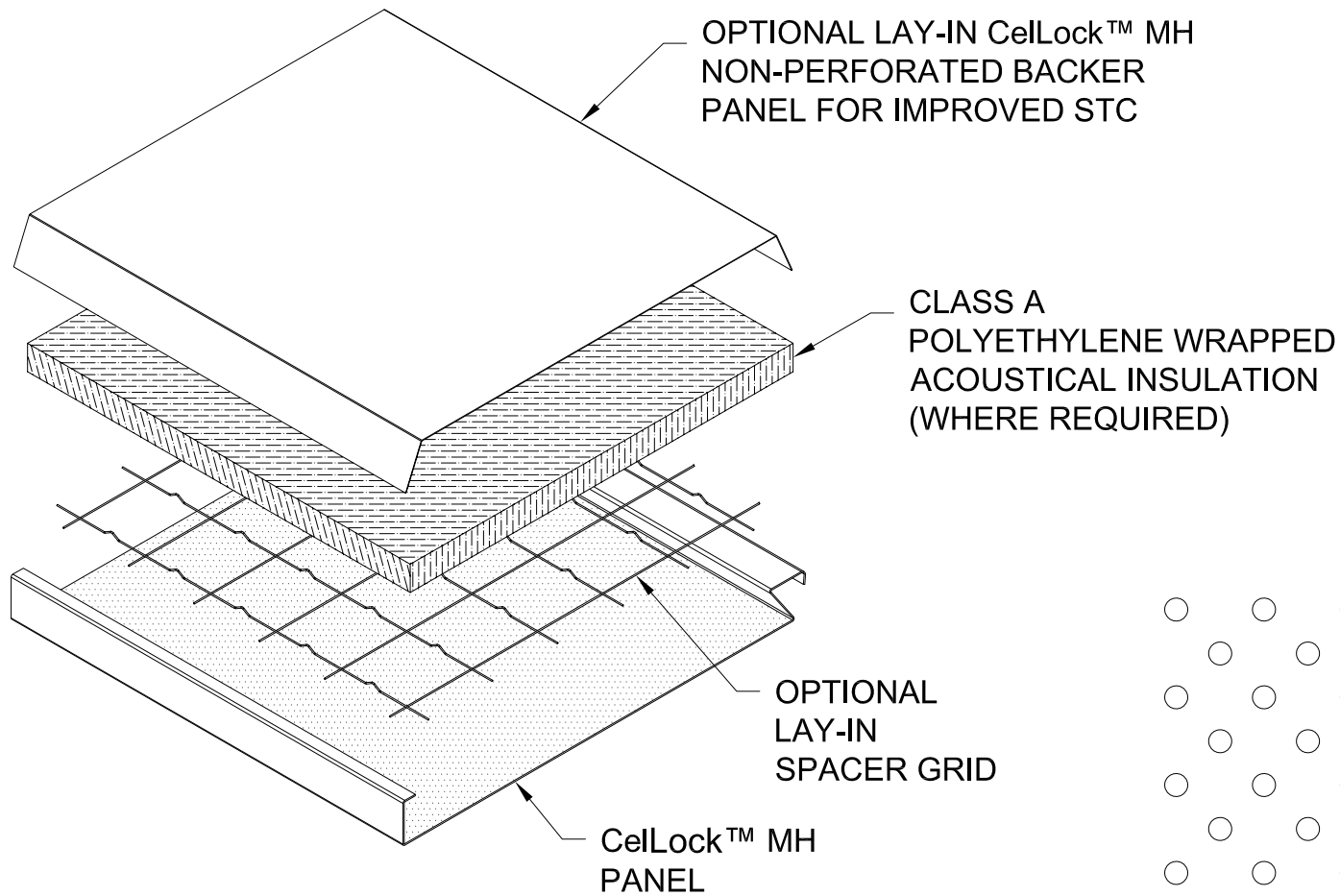


TORX PLUS® IS A REGISTERED TRADEMARK OF ACUMENT INTELLECTUAL PROPERTIES, LLC

GORDON® ARCHITECTURAL+ENGINEERED SOLUTIONS
 5023 Hazel Jones Rd.
 Bossier City, LA 71111
 800.747.8954
 GORDON-INC.COM
 sales@gordon-inc.com

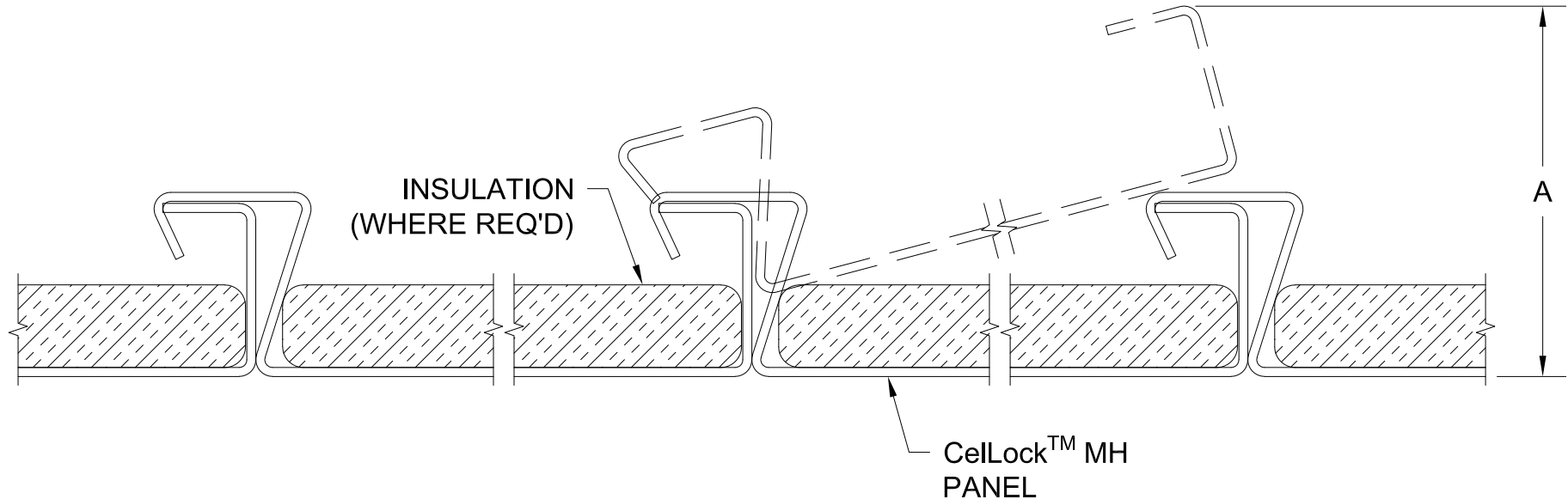
MENTAL HEALTH CEILINGS
 CellLock™ MH
 ISOMETRIC VIEW

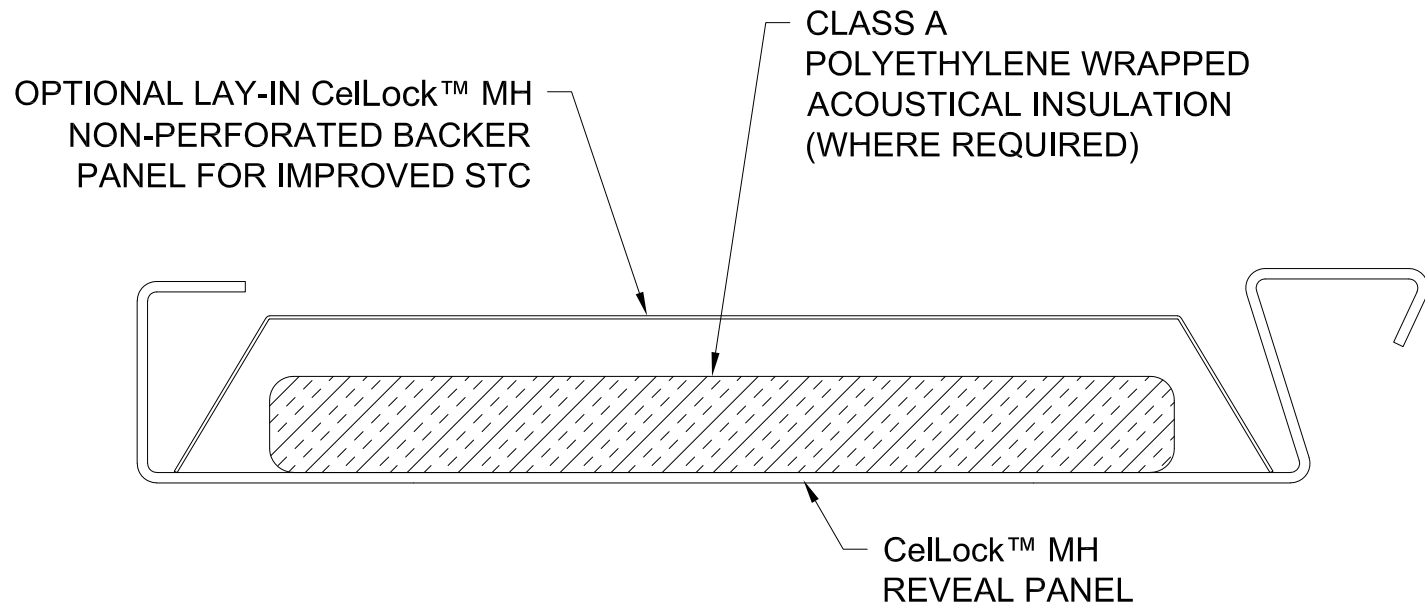


R18-1132DG11 PANEL PERFORATION DETAIL
1/8" HOLES ON 11/32" 45° DIAGONAL CENTERS
11% OPEN AREA

NOTE: MINIMUM CLEARANCE REQUIRED
 ABOVE ALL FINISH CEILING HEIGHTS
 TO ALL PLENUM OBSTRUCTIONS.
 SEE DIMENSION A IN TABLE.

INSTALLATION CLEARANCE TABLE	
PLANK FACE WIDTH	DIMENSION A
12"	4.500"
18"	5.250"
24"	6.000"

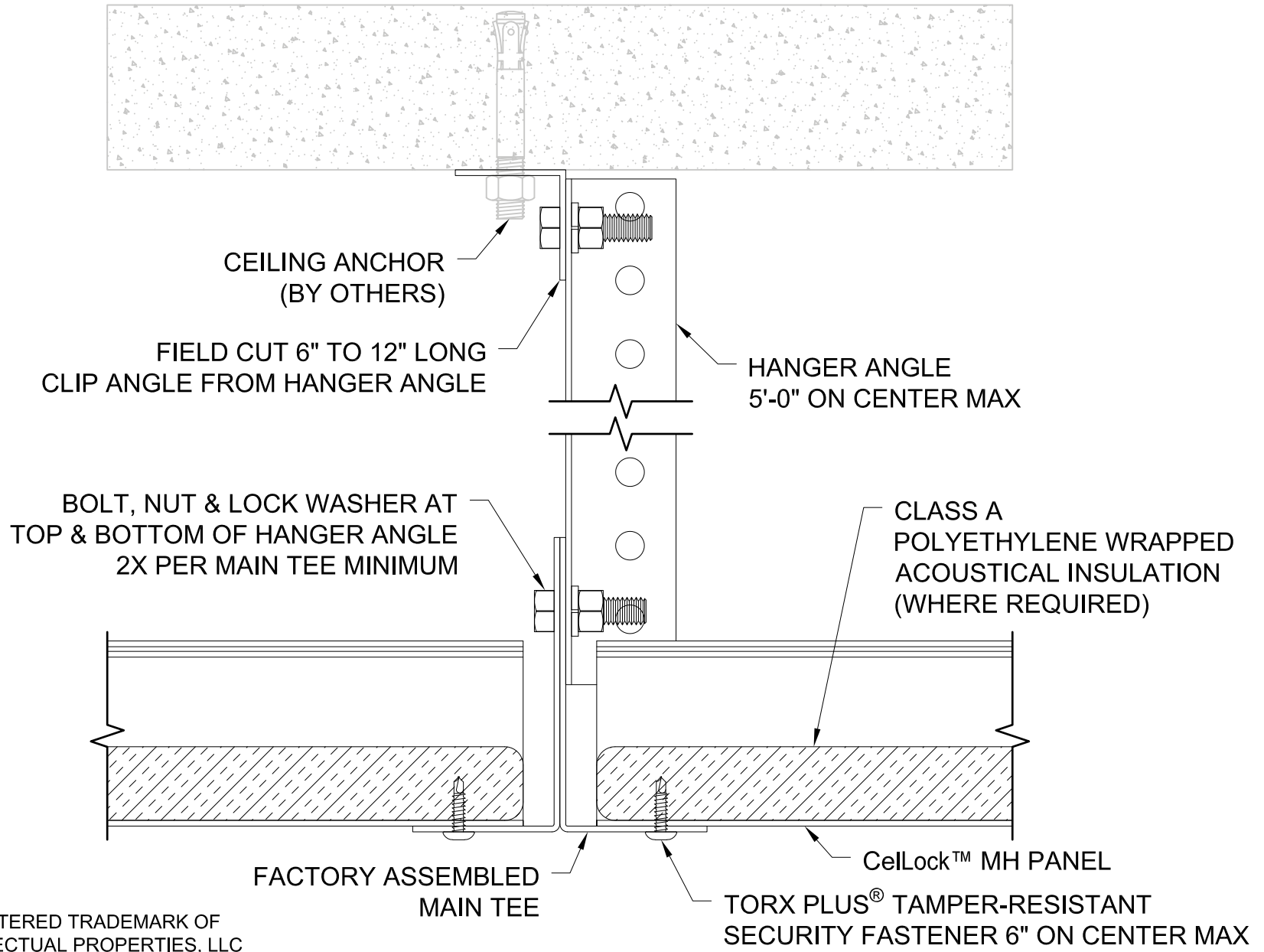




GORDON®
ARCHITECTURAL+ENGINEERED SOLUTIONS

5023 Hazel Jones Rd.
Bossier City, LA 71111
800.747.8954
GORDON-INC.COM
sales@gordon-inc.com

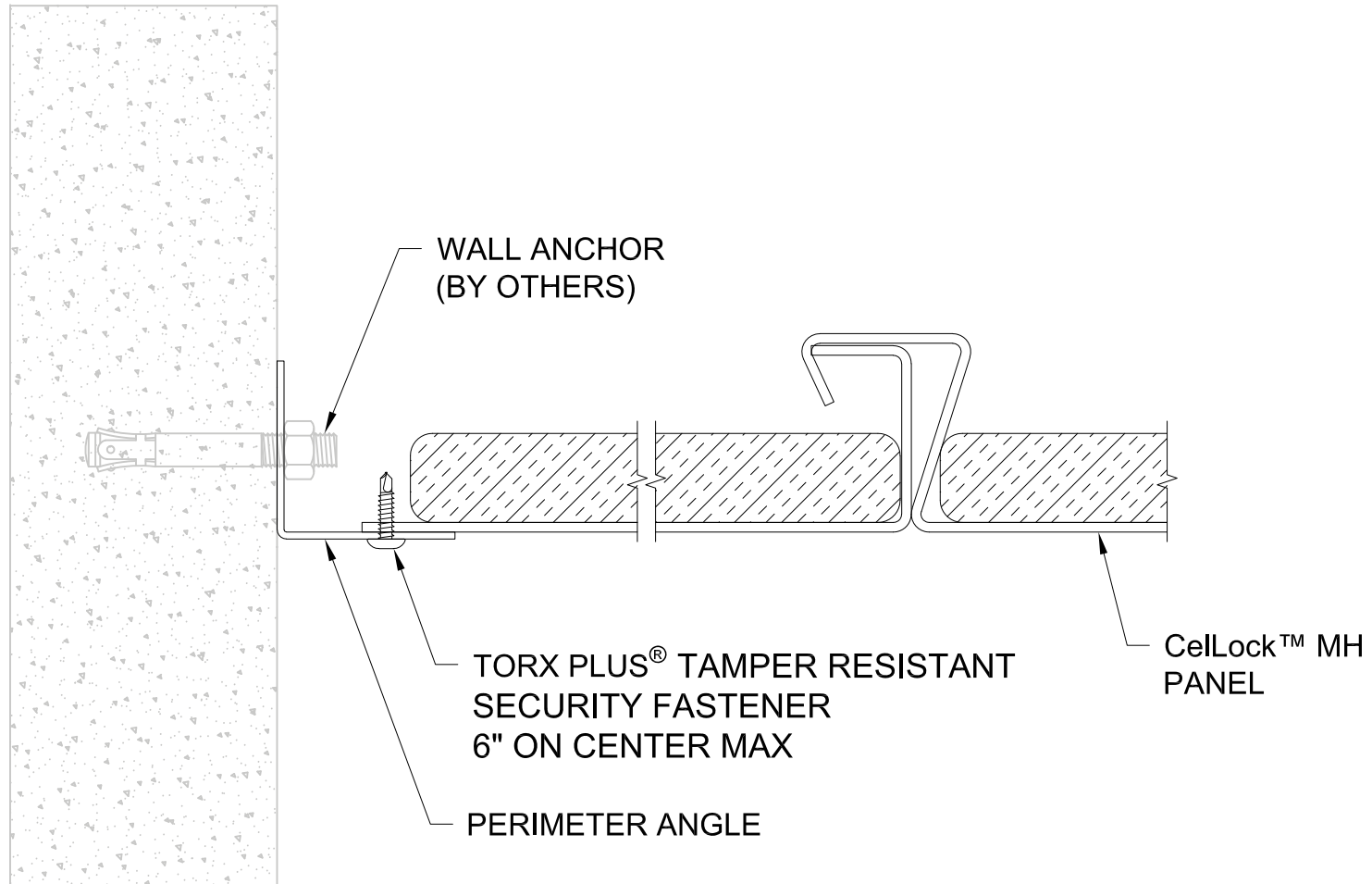
MENTAL HEALTH CEILINGS
CeilLock™ MH
BACKER PANEL SECTION



GORDON®
ARCHITECTURAL+ENGINEERED SOLUTIONS

5023 Hazel Jones Rd.
Bossier City, LA 71111
800.747.8954
GORDON-INC.COM
sales@gordon-inc.com

MENTAL HEALTH CEILINGS
CellLock™ MH
MAIN TEE SECTION

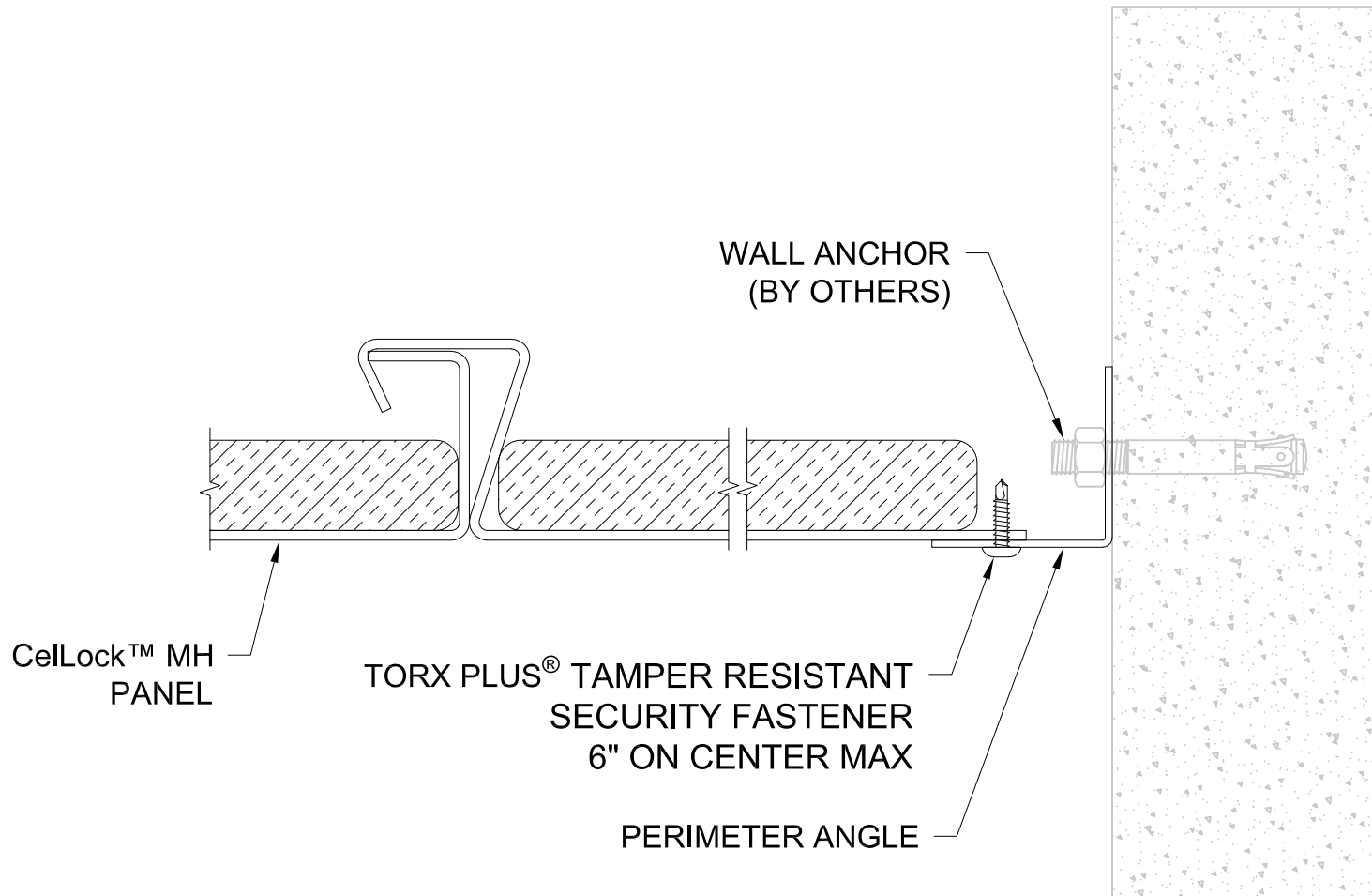


TORX® PLUS IS A REGISTERED TRADEMARK OF ACUMENT INTELLECTUAL PROPERTIES, LLC

GORDON
ARCHITECTURAL+ENGINEERED SOLUTIONS

© 5023 Hazel Jones Rd.
Bossier City, LA 71111
800.747.8954
GORDON-INC.COM
sales@gordon-inc.com

MENTAL HEALTH CEILINGS
CellLock™ MH
START PANEL SECTION

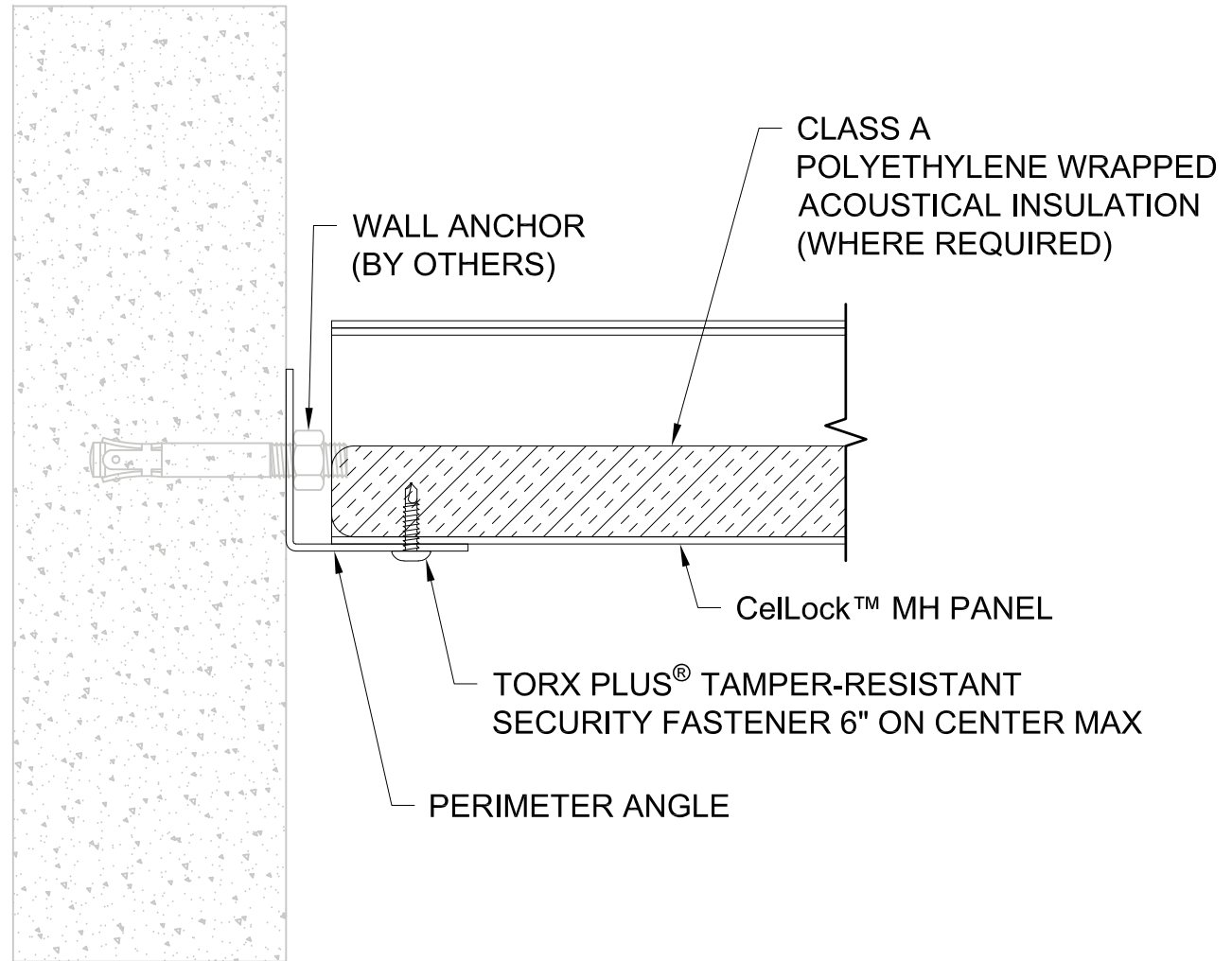


TORX® PLUS IS A REGISTERED TRADEMARK OF ACUMENT INTELLECTUAL PROPERTIES, LLC

GORDON®
ARCHITECTURAL+ENGINEERED SOLUTIONS

5023 Hazel Jones Rd.
Bossier City, LA 71111
800.747.8954
GORDON-INC.COM
sales@gordon-inc.com

MENTAL HEALTH CEILINGS
CelLock™ MH
LAST PANEL SECTION

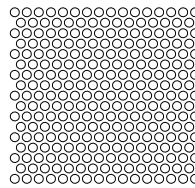
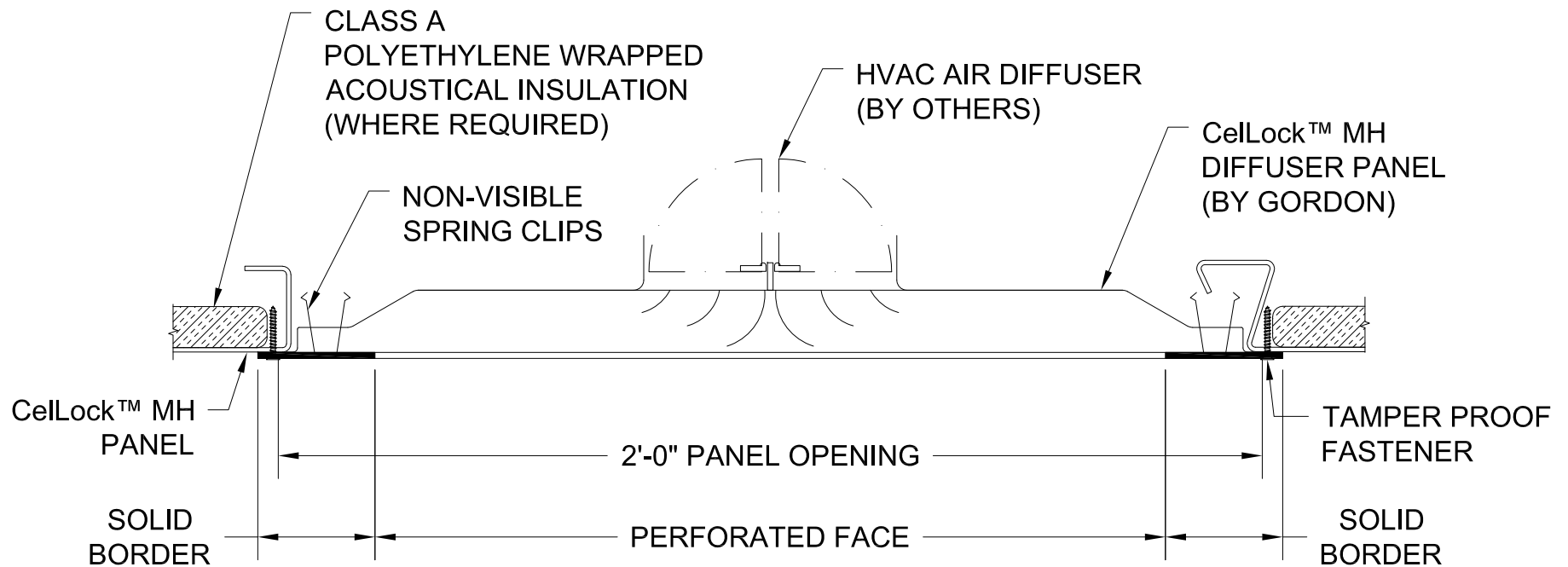


TORX® PLUS IS A REGISTERED TRADEMARK OF ACUMENT INTELLECTUAL PROPERTIES, LLC

GORDON®
ARCHITECTURAL+ENGINEERED SOLUTIONS

5023 Hazel Jones Rd.
Bossier City, LA 71111
800.747.8954
GORDON-INC.COM
sales@gordon-inc.com

MENTAL HEALTH CEILINGS
CelLock™ MH
END OF PANEL SECTION

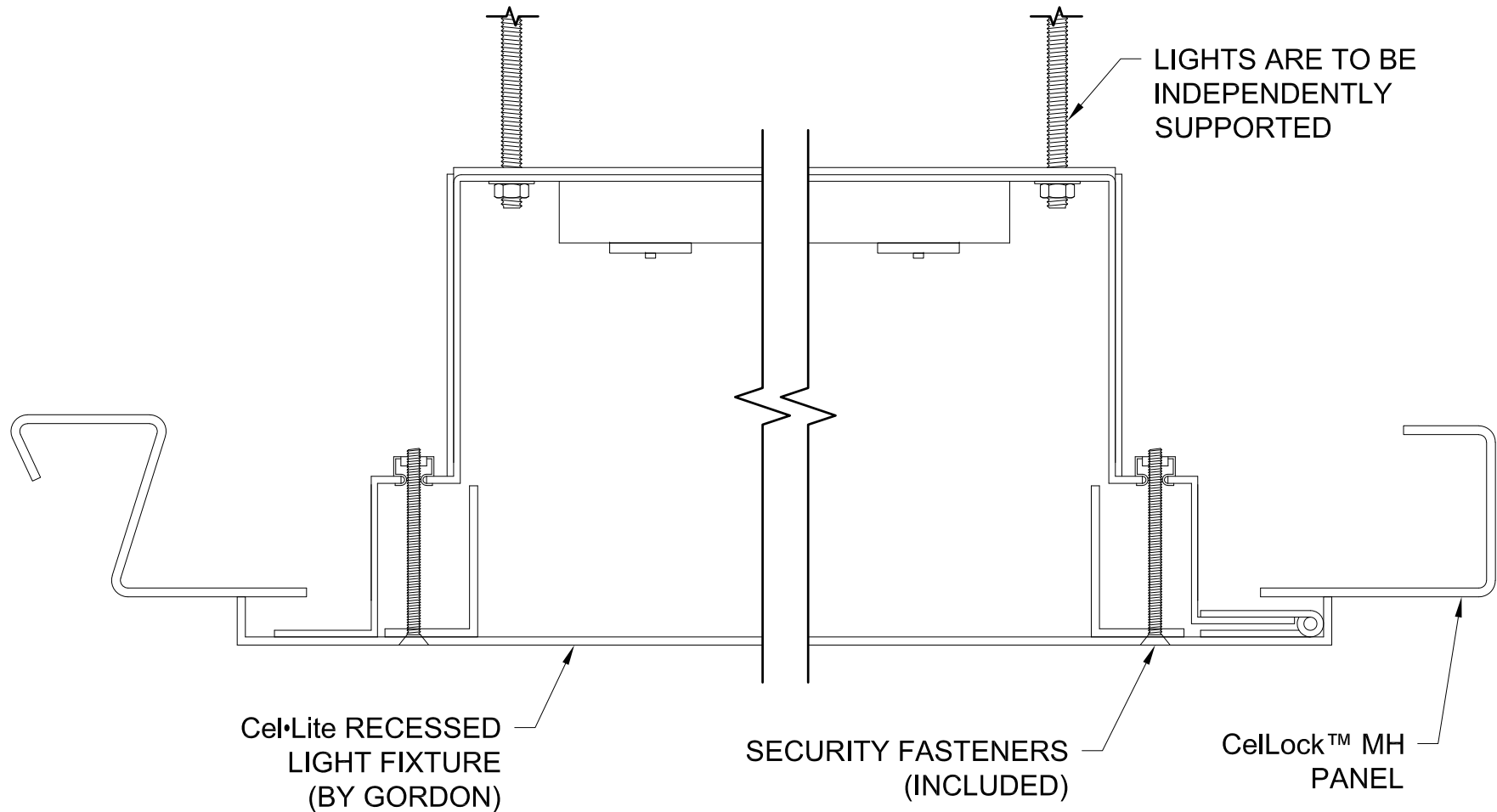


DIFFUSER PANEL PERFORATION PATTERN
3/16" HOLES ON 1/4" STAGGERED CENTERS
50% OPEN AREA

OTHER PERFORATION PATTERNS ARE AVAILABLE
 (CONTACT FACTORY)

GORDON © 5023 Hazel Jones Rd.
 ARCHITECTURAL+ENGINEERED SOLUTIONS Bossier City, LA 71111
 800.747.8954
 GORDON-INC.COM
 sales@gordon-inc.com

MENTAL HEALTH CEILINGS
 CelLock™ MH
 HVAC DIFFUSER SECTION

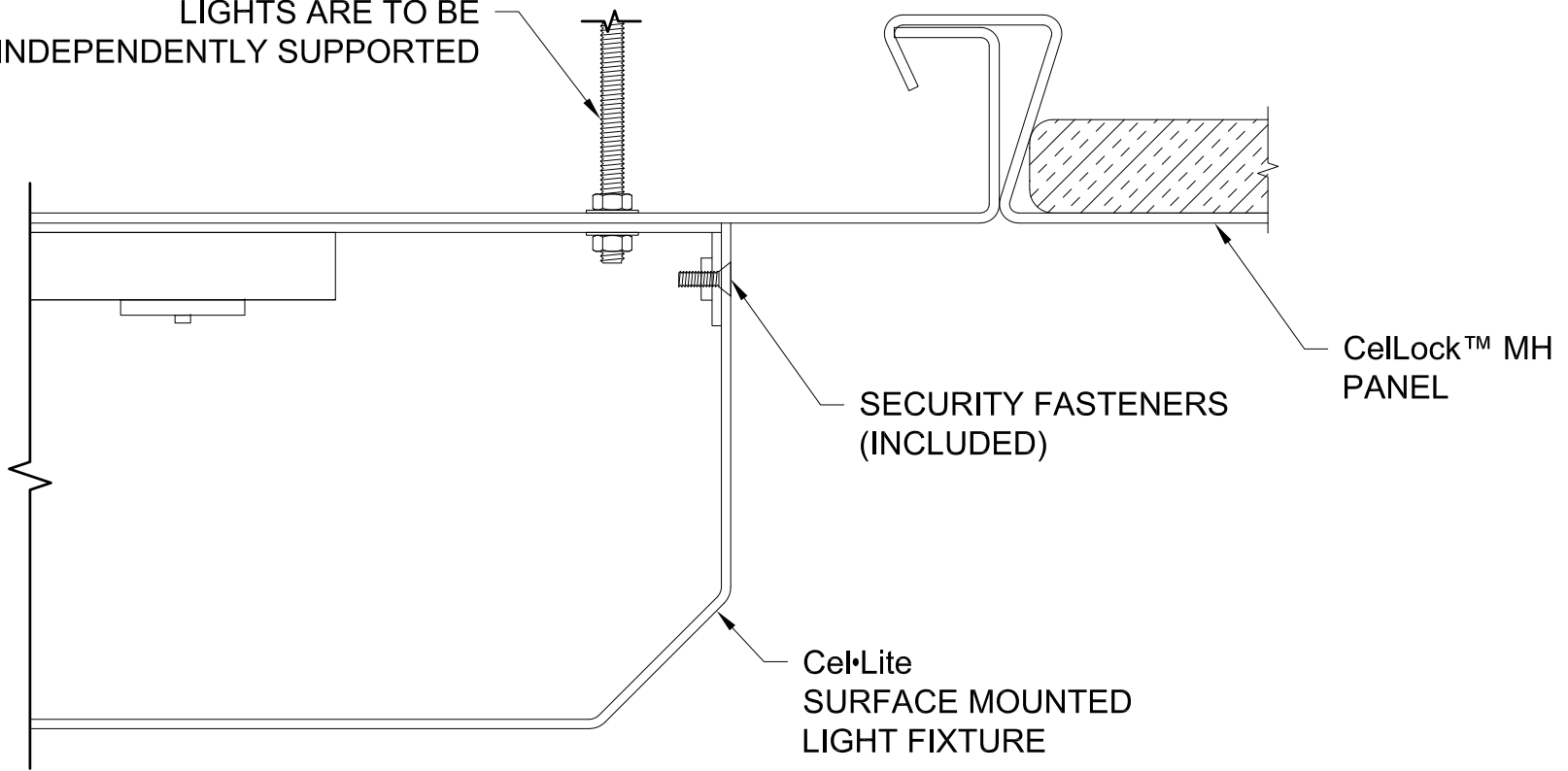


GORDON ARCHITECTURAL+ENGINEERED SOLUTIONS

© 5023 Hazel Jones Rd.
 Bossier City, LA 71111
 800.747.8954
 GORDON-INC.COM
 sales@gordon-inc.com

MENTAL HEALTH CEILINGS
 CelLock™ MH
 RECESSED LIGHT SECTION

LIGHTS ARE TO BE
INDEPENDENTLY SUPPORTED



CelLock™ MH
PANEL

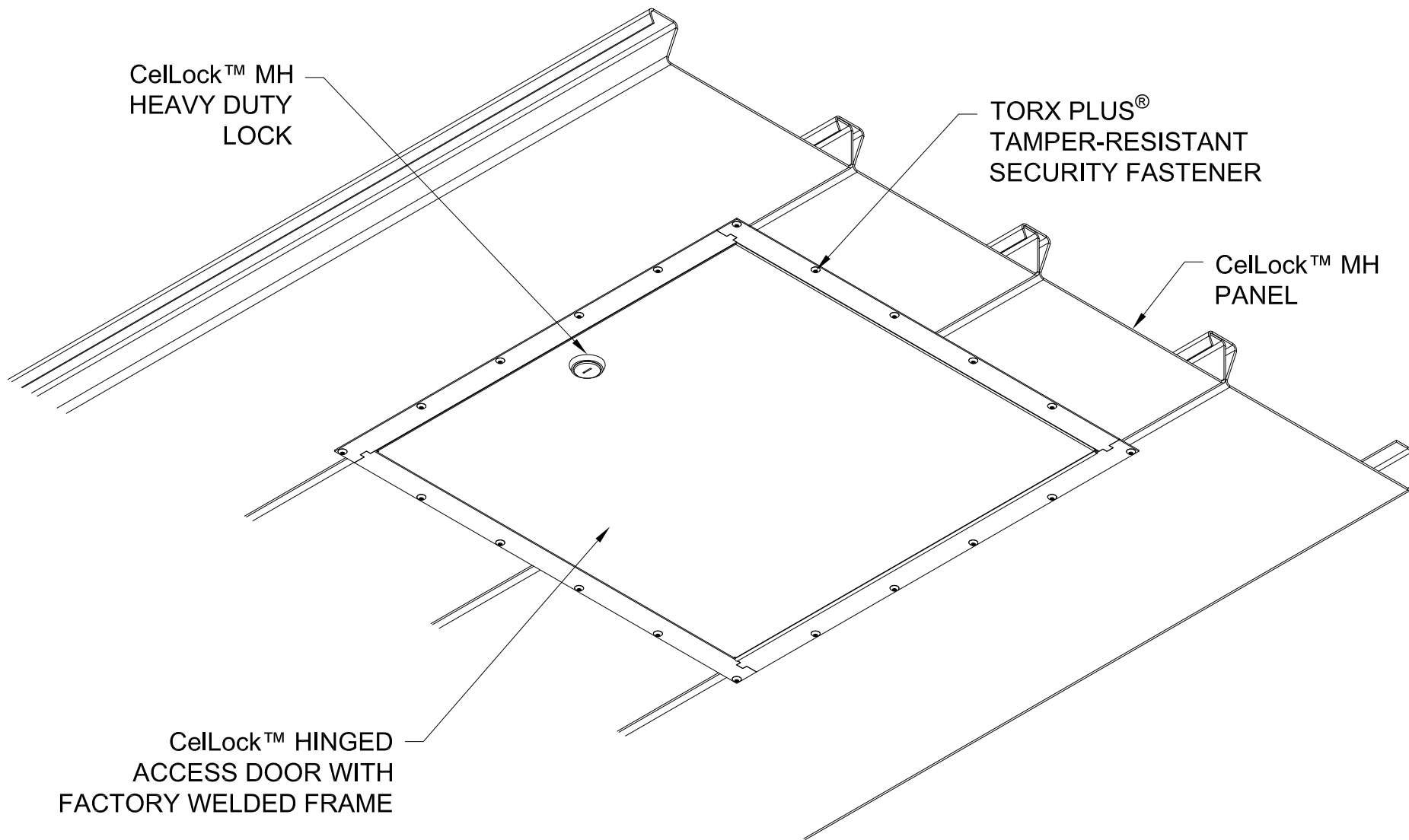
SECURITY FASTENERS
(INCLUDED)

Cel•Lite
SURFACE MOUNTED
LIGHT FIXTURE

GORDON ARCHITECTURAL+ENGINEERED SOLUTIONS

5023 Hazel Jones Rd.
Bossier City, LA 71111
800.747.8954
GORDON-INC.COM
sales@gordon-inc.com

MENTAL HEALTH CEILINGS
CelLock™ MH
SURFACE LIGHT SECTION



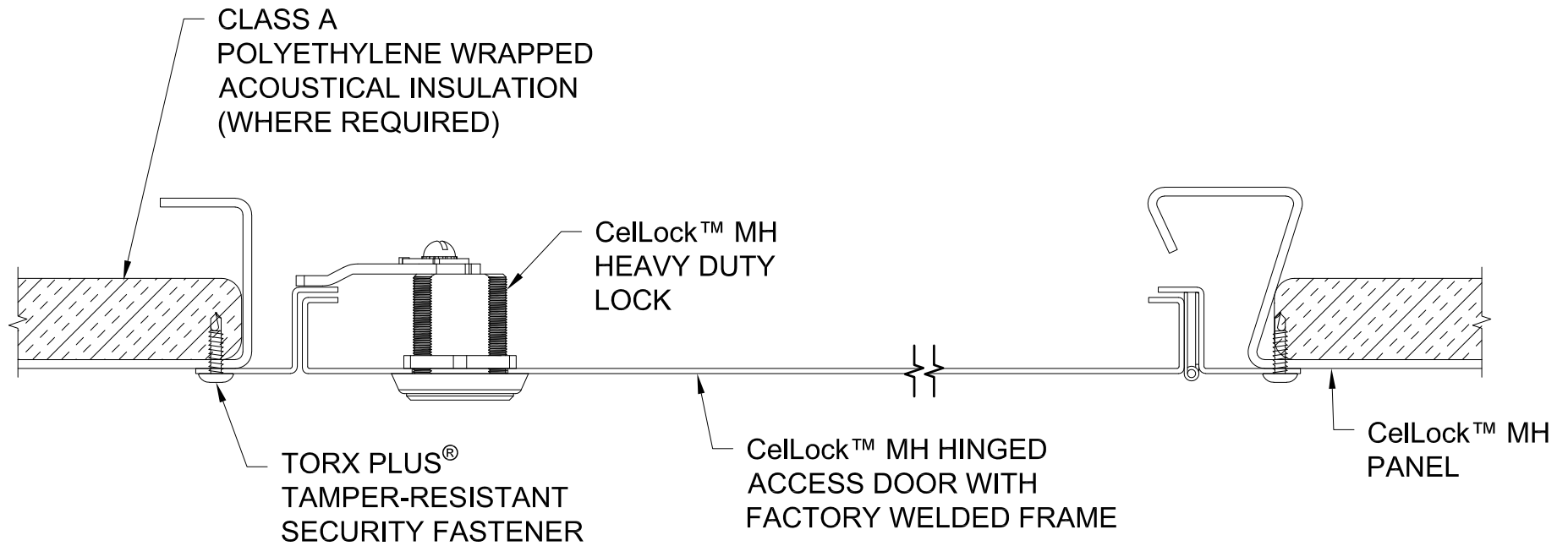
STANDARD SIZES: 2' X 2' AND 2' X 4'
(OTHER SIZES AVAILABLE)

TORX PLUS® IS A REGISTERED TRADEMARK OF ACUMENT INTELLECTUAL PROPERTIES, LLC

GORDON
ARCHITECTURAL+ENGINEERED SOLUTIONS

© 5023 Hazel Jones Rd.
Bossier City, LA 71111
800.747.8954
GORDON-INC.COM
sales@gordon-inc.com

MENTAL HEALTH CEILINGS
CellLock™ MH
ACCESS DOOR ISOMETRIC



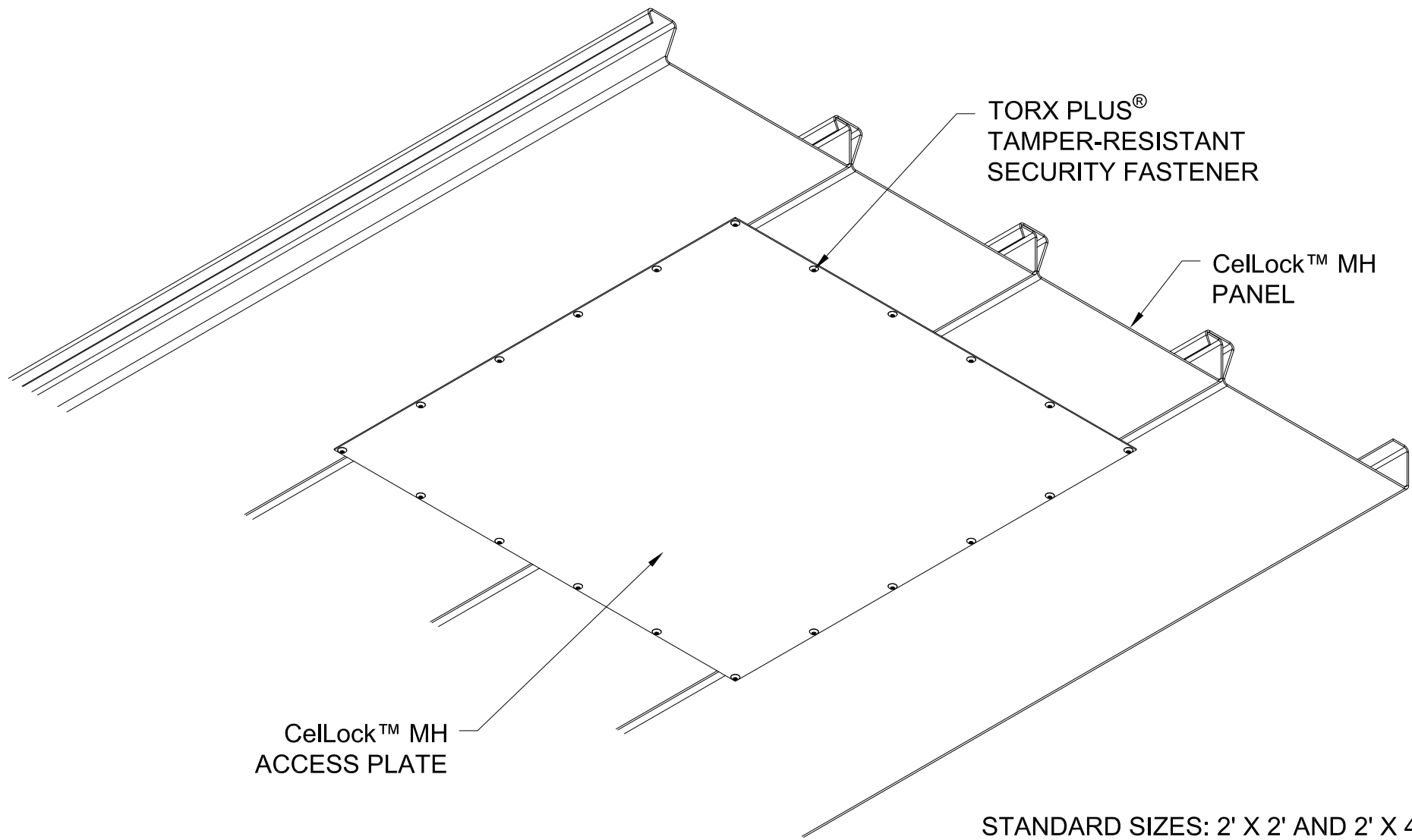
STANDARD SIZES: 2' X 2' AND 2' X 4'
(OTHER SIZES AVAILABLE)

TORX PLUS® IS A REGISTERED TRADEMARK OF ACUMENT INTELLECTUAL PROPERTIES, LLC

GORDON®
ARCHITECTURAL+ENGINEERED SOLUTIONS

5023 Hazel Jones Rd.
Bossier City, LA 71111
800.747.8954
GORDON-INC.COM
sales@gordon-inc.com

MENTAL HEALTH CEILINGS
CellLock™ MH
ACCESS DOOR SECTION



CellLock™ MH
ACCESS PLATE

TORX PLUS®
TAMPER-RESISTANT
SECURITY FASTENER

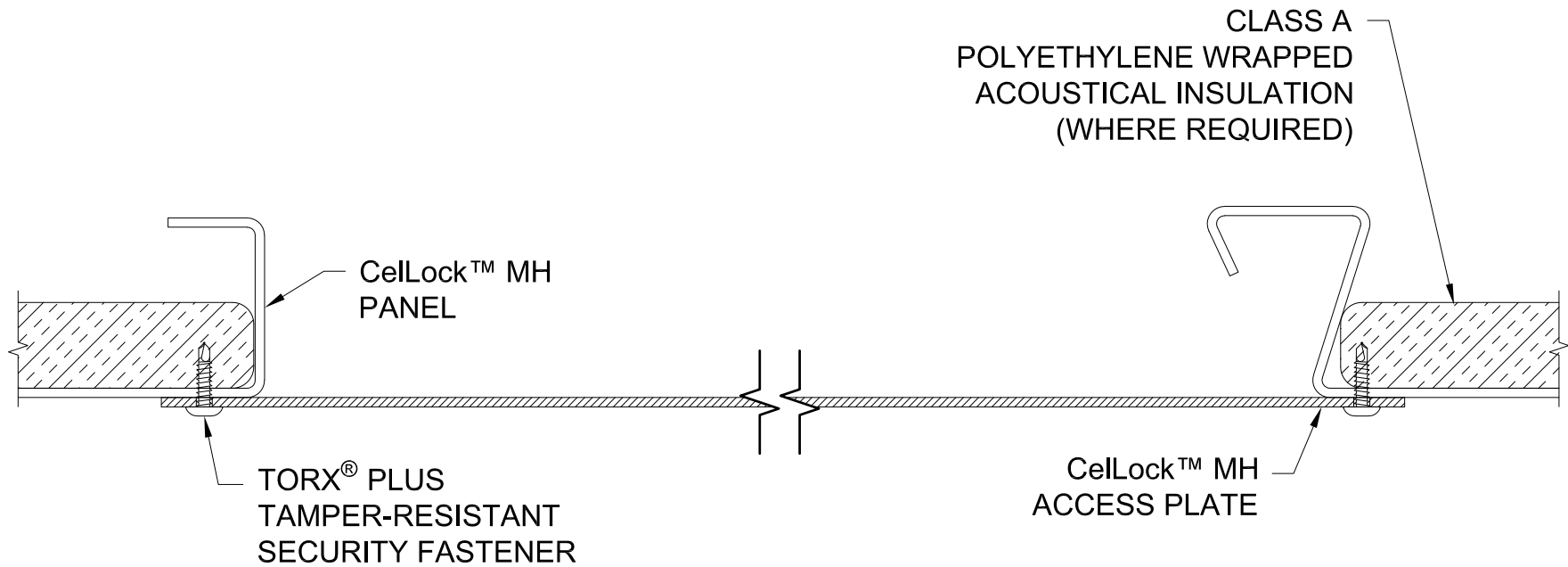
CellLock™ MH
PANEL

STANDARD SIZES: 2' X 2' AND 2' X 4'
(OTHER SIZES AVAILABLE)

TORX PLUS® IS A REGISTERED TRADEMARK OF ACUMENT INTELLECTUAL PROPERTIES, LLC

GORDON © 5023 Hazel Jones Rd.
Bossier City, LA 71111
800.747.8954
ARCHITECTURAL+ENGINEERED SOLUTIONS GORDON-INC.COM
sales@gordon-inc.com

MENTAL HEALTH CEILINGS
CellLock™ MH
ACCESS PLATE ISOMETRIC

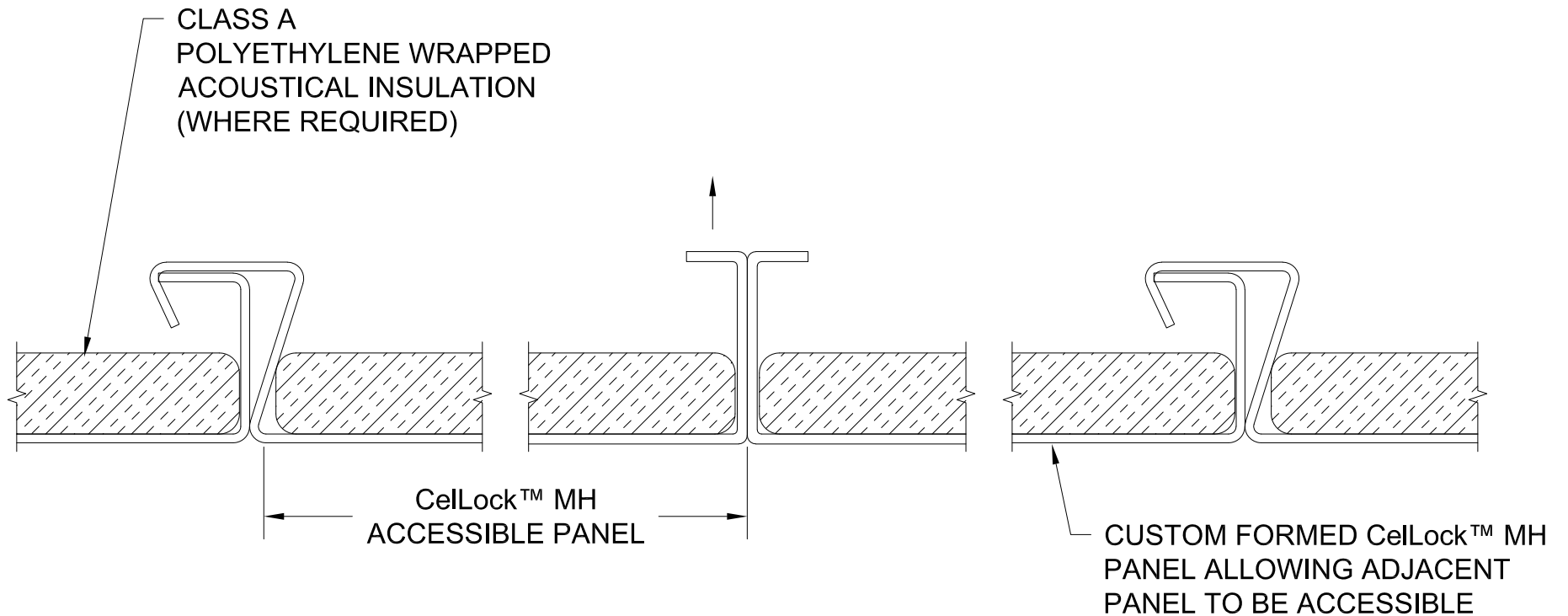


STANDARD SIZES AVAILABLE:
 1'-6" X 1'-6", 2' X 2' AND 2' X 4'

TORX PLUS® IS A REGISTERED TRADEMARK OF ACUMENT INTELLECTUAL PROPERTIES, LLC

GORDON® ARCHITECTURAL+ENGINEERED SOLUTIONS
 5023 Hazel Jones Rd.
 Bossier City, LA 71111
 800.747.8954
 GORDON-INC.COM
 sales@gordon-inc.com

MENTAL HEALTH CEILINGS
 CellLock™ MH
 ACCESS PLATE SECTION



NOTE:
ACCESSIBLE PANEL TO BE SECURED
TO PERIMETER TRIM AT EACH END
USING TORX PLUS® TAMPER RESISTANT
SECURITY FASTENERS

TORX PLUS® IS A REGISTERED TRADEMARK OF ACUMENT INTELLECTUAL PROPERTIES, LLC

GORDON® ARCHITECTURAL+ENGINEERED SOLUTIONS
 5023 Hazel Jones Rd.
 Bossier City, LA 71111
 800.747.8954
 GORDON-INC.COM
 sales@gordon-inc.com

MENTAL HEALTH CEILINGS
 CellLock™ MH
 ACCESS PANEL SECTION