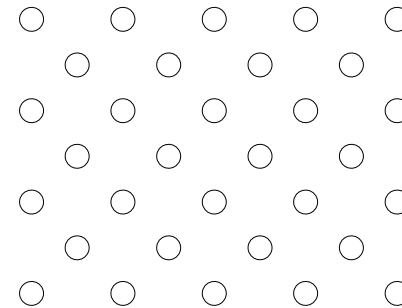
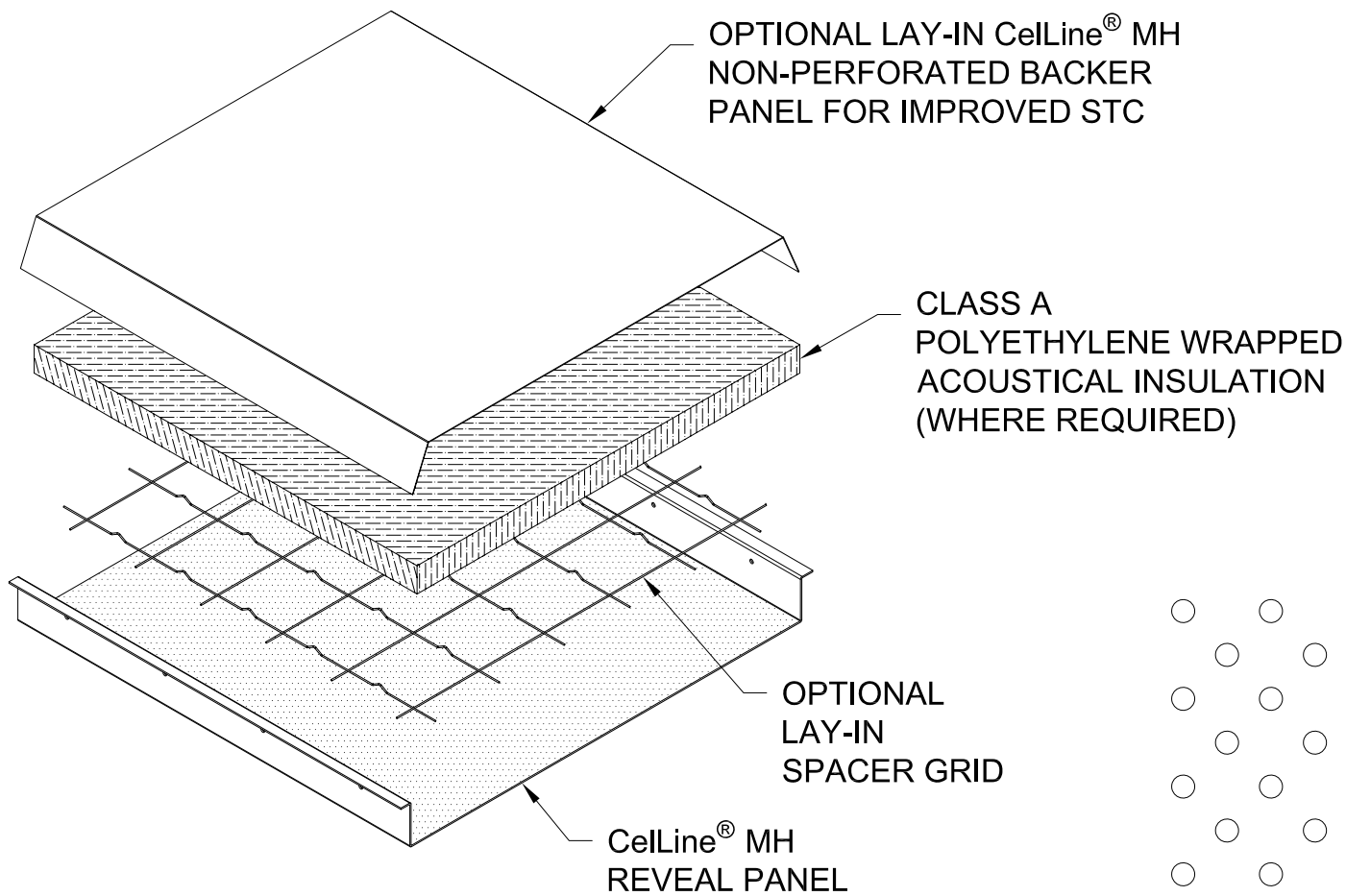


TORX PLUS® IS A REGISTERED TRADEMARK OF ACUMENT INTELLECTUAL PROPERTIES, LLC

**GORDON**®  
ARCHITECTURAL+ENGINEERED SOLUTIONS

5023 Hazel Jones Rd.  
Bossier City, LA 71111  
800.747.8954  
GORDON-INC.COM  
sales@gordon-inc.com

MENTAL HEALTH CEILINGS  
CellLine® MH REVEAL  
ISOMETRIC VIEW



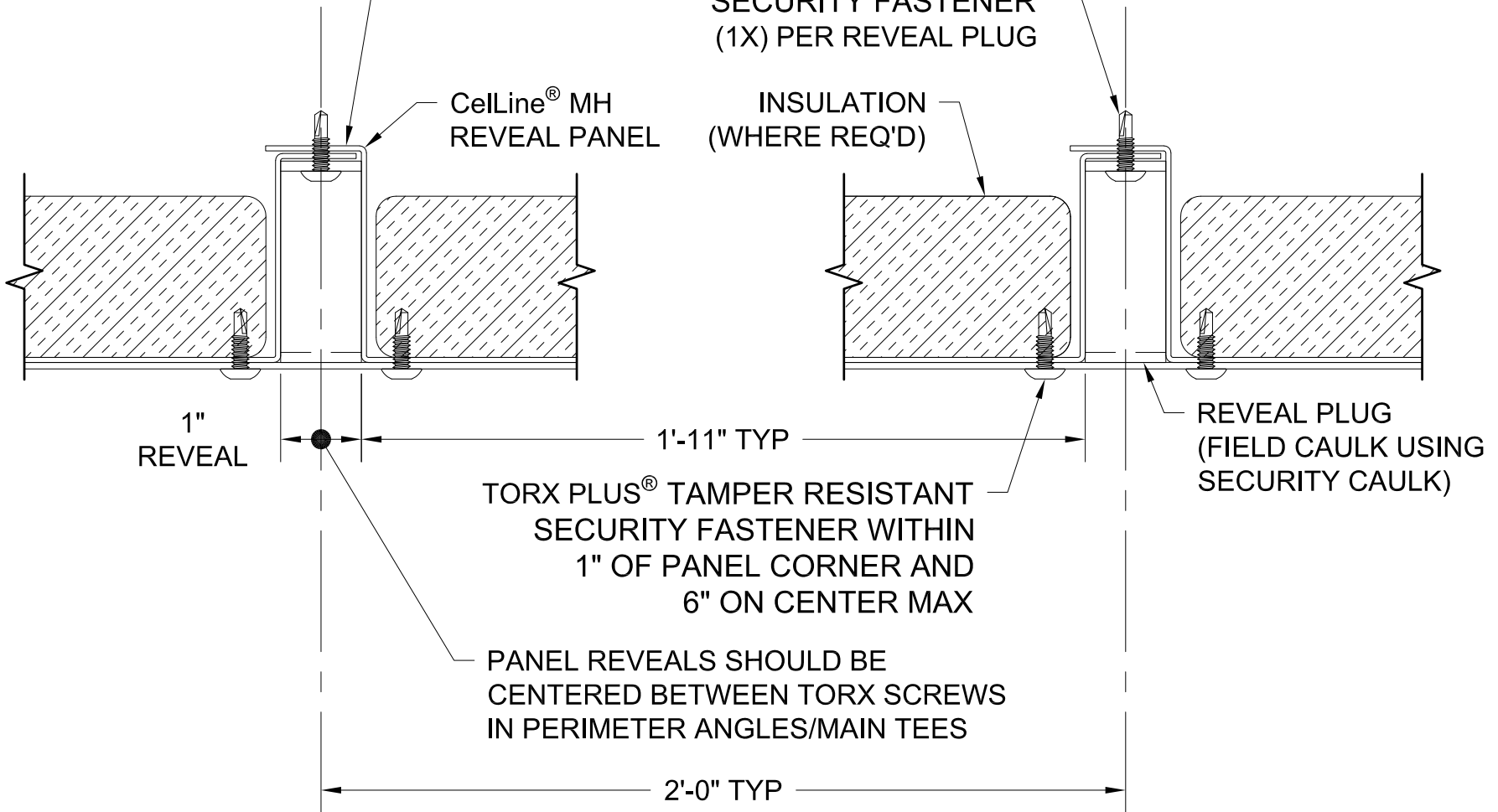
R18-1132DG11 PANEL PERFORATION DETAIL  
1/8" HOLES ON 11/32" 45° DIAGONAL CENTERS  
11% OPEN AREA

NOTE: PANELS ARE NOT SYMMETRICAL  
(TALLER LEG LAPS OVER SHORTER LEG)

TORX PLUS® TAMPER RESISTANT  
SECURITY FASTENER  
(1X) PER REVEAL PLUG

CellLine® MH  
REVEAL PANEL

INSULATION  
(WHERE REQ'D)

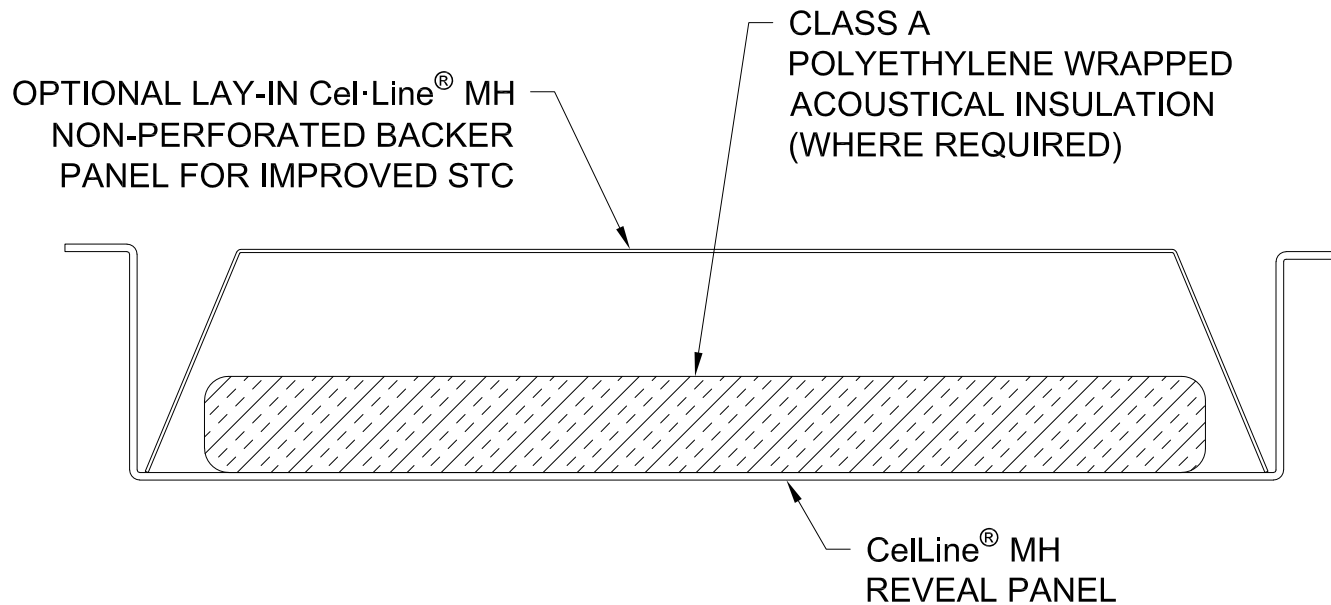


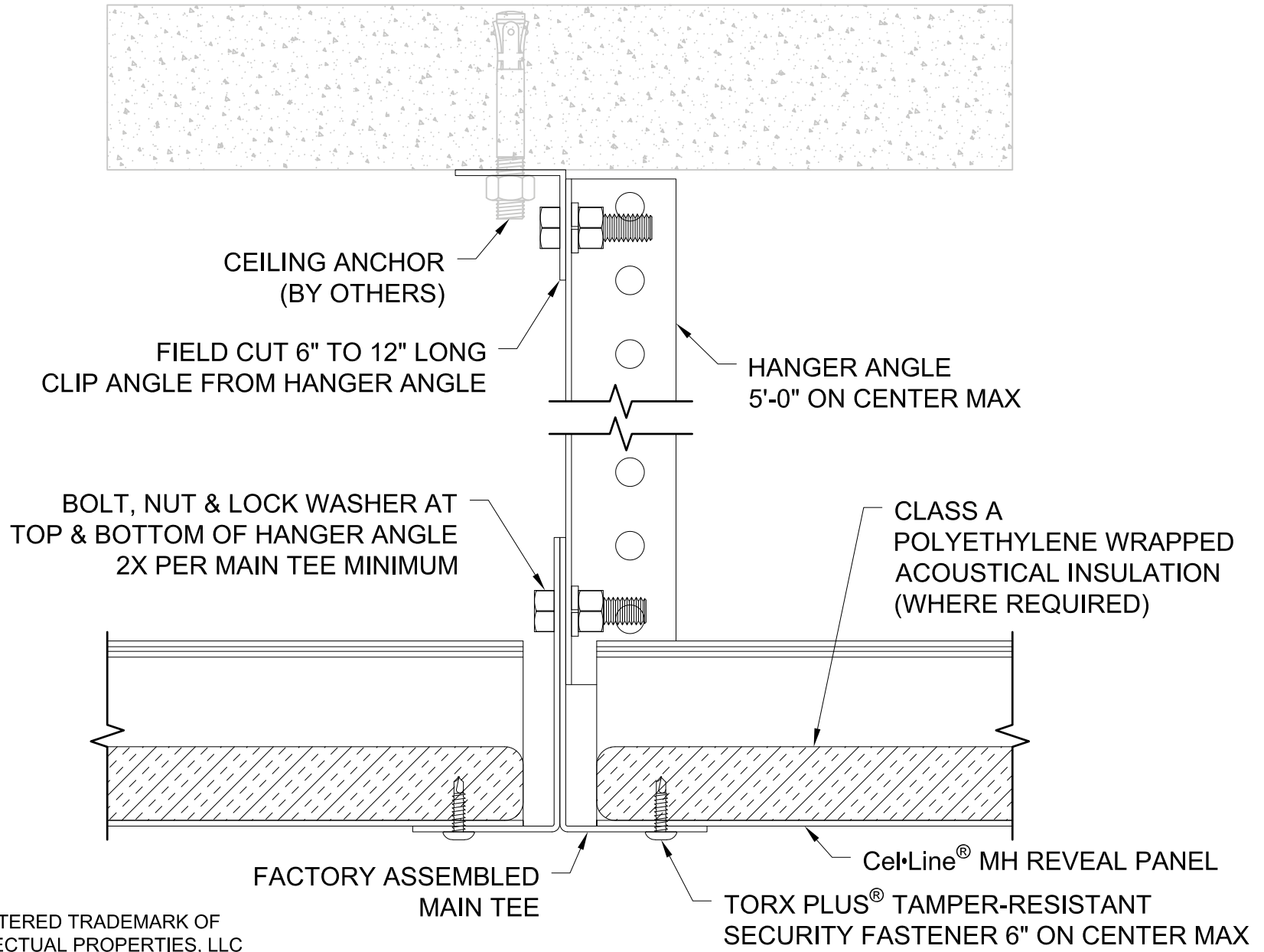
TORX PLUS® IS A REGISTERED TRADEMARK OF ACUMENT INTELLECTUAL PROPERTIES, LLC

**GORDON**®  
ARCHITECTURAL+ENGINEERED SOLUTIONS

5023 Hazel Jones Rd.  
Bossier City, LA 71111  
800.747.8954  
GORDON-INC.COM  
sales@gordon-inc.com

MENTAL HEALTH CEILINGS  
CellLine® MH REVEAL  
TYPICAL PANEL SECTION



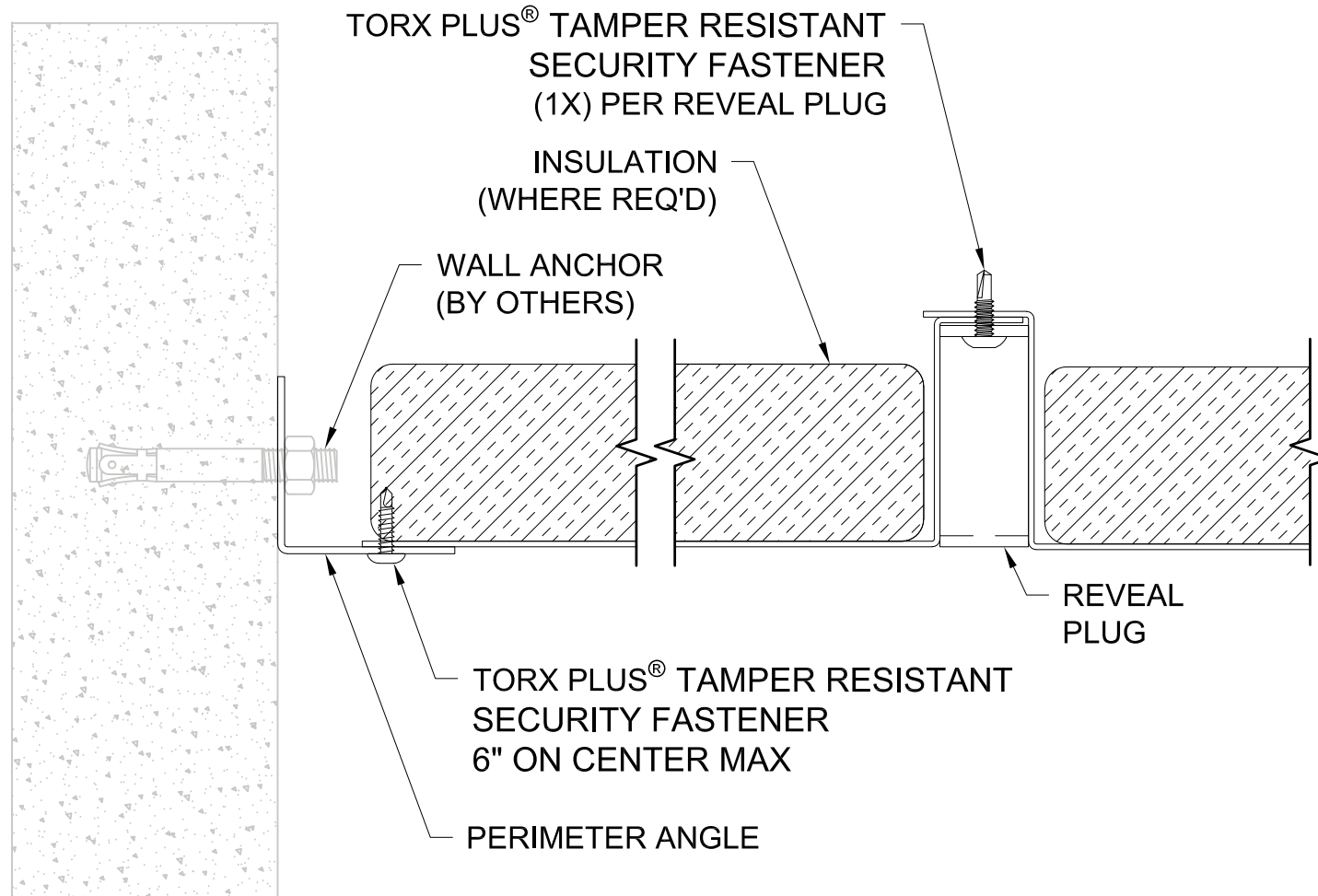


**GORDON**® ARCHITECTURAL+ENGINEERED SOLUTIONS

5023 Hazel Jones Rd.  
Bossier City, LA 71111  
800.747.8954  
GORDON-INC.COM  
sales@gordon-inc.com

## MENTAL HEALTH CEILINGS

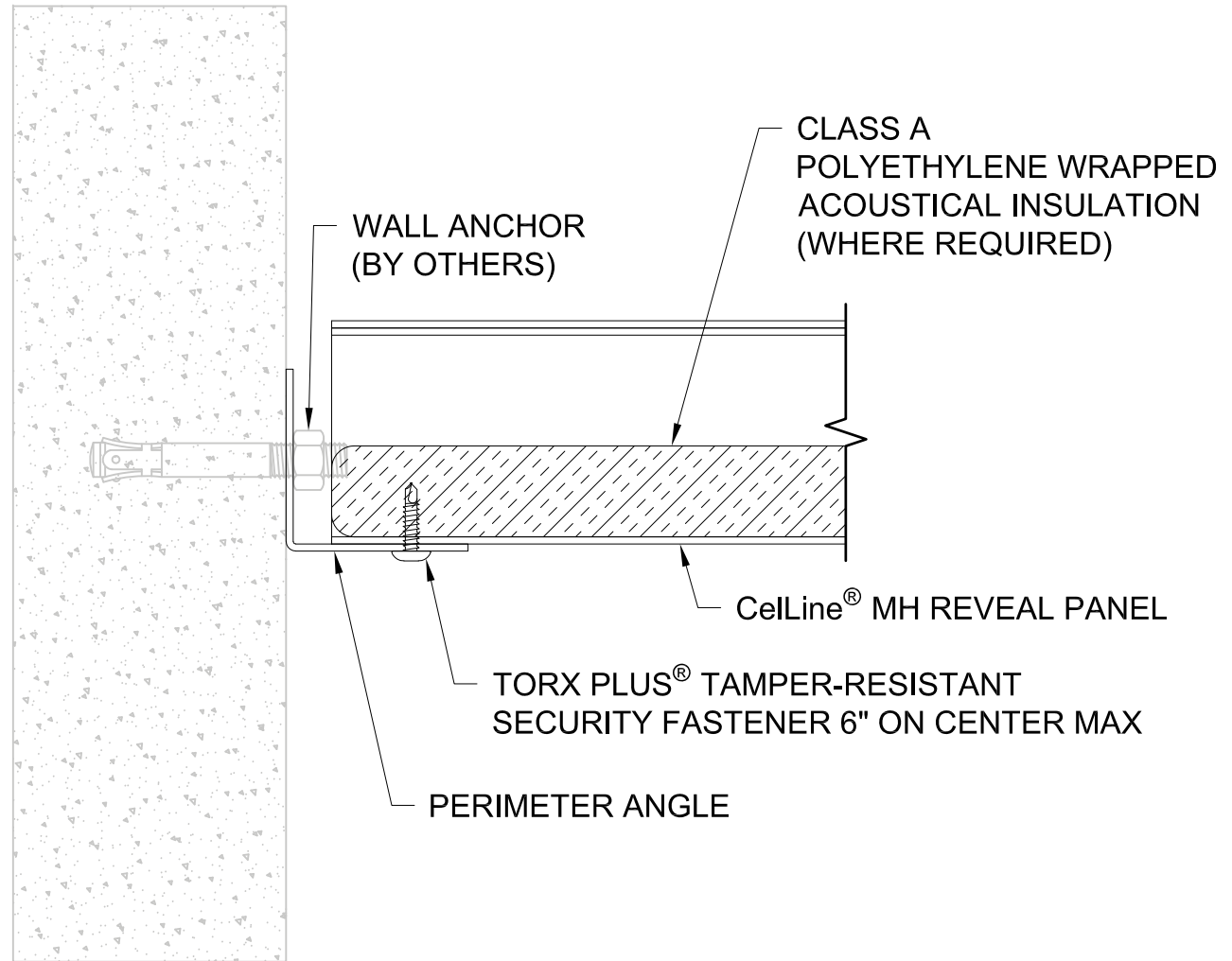
### CelLine® MH REVEAL MAIN TEE SECTION



TORX® PLUS IS A REGISTERED TRADEMARK OF ACUMENT INTELLECTUAL PROPERTIES, LLC

**GORDON**® ARCHITECTURAL+ENGINEERED SOLUTIONS  
 5023 Hazel Jones Rd.  
 Bossier City, LA 71111  
 800.747.8954  
 GORDON-INC.COM  
 sales@gordon-inc.com

MENTAL HEALTH CEILINGS  
 CellLine® MH REVEAL  
 START / LAST PANEL SECTION

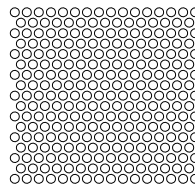
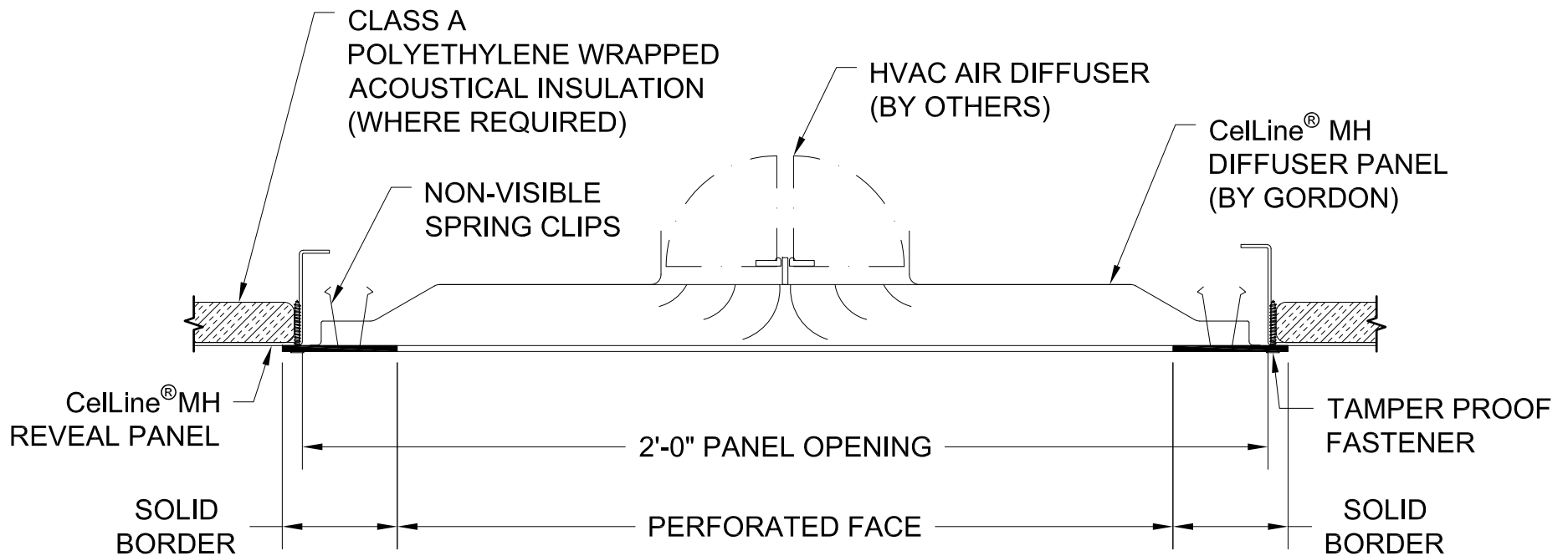


TORX<sup>®</sup> PLUS IS A REGISTERED TRADEMARK OF ACUMENT INTELLECTUAL PROPERTIES, LLC

**GORDON** <sup>®</sup>  
ARCHITECTURAL+ENGINEERED SOLUTIONS

5023 Hazel Jones Rd.  
Bossier City, LA 71111  
800.747.8954  
GORDON-INC.COM  
sales@gordon-inc.com

MENTAL HEALTH CEILINGS  
CelLine<sup>®</sup> MH REVEAL  
END OF PANEL SECTION



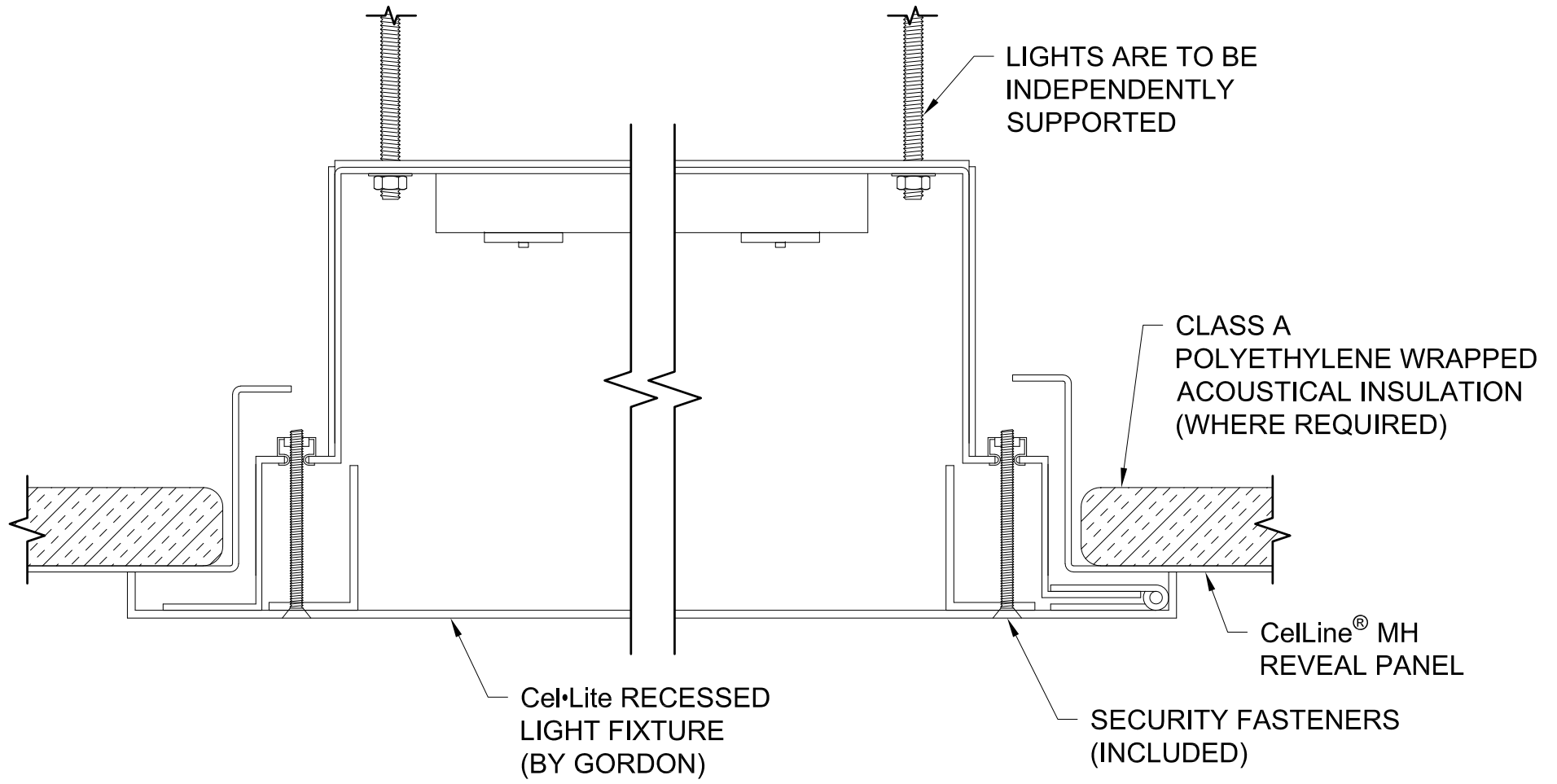
DIFFUSER PANEL PERFORATION PATTERN  
3/16" HOLES ON 1/4" STAGGERED CENTERS  
50% OPEN AREA

OTHER PERFORATION PATTERNS ARE AVAILABLE  
 (CONTACT FACTORY)

**GORDON**® ARCHITECTURAL+ENGINEERED SOLUTIONS  
 5023 Hazel Jones Rd.  
 Bossier City, LA 71111  
 800.747.8954  
 GORDON-INC.COM  
 sales@gordon-inc.com

MENTAL HEALTH CEILINGS  
 CellLine® MH REVEAL  
 HVAC DIFFUSER SECTION



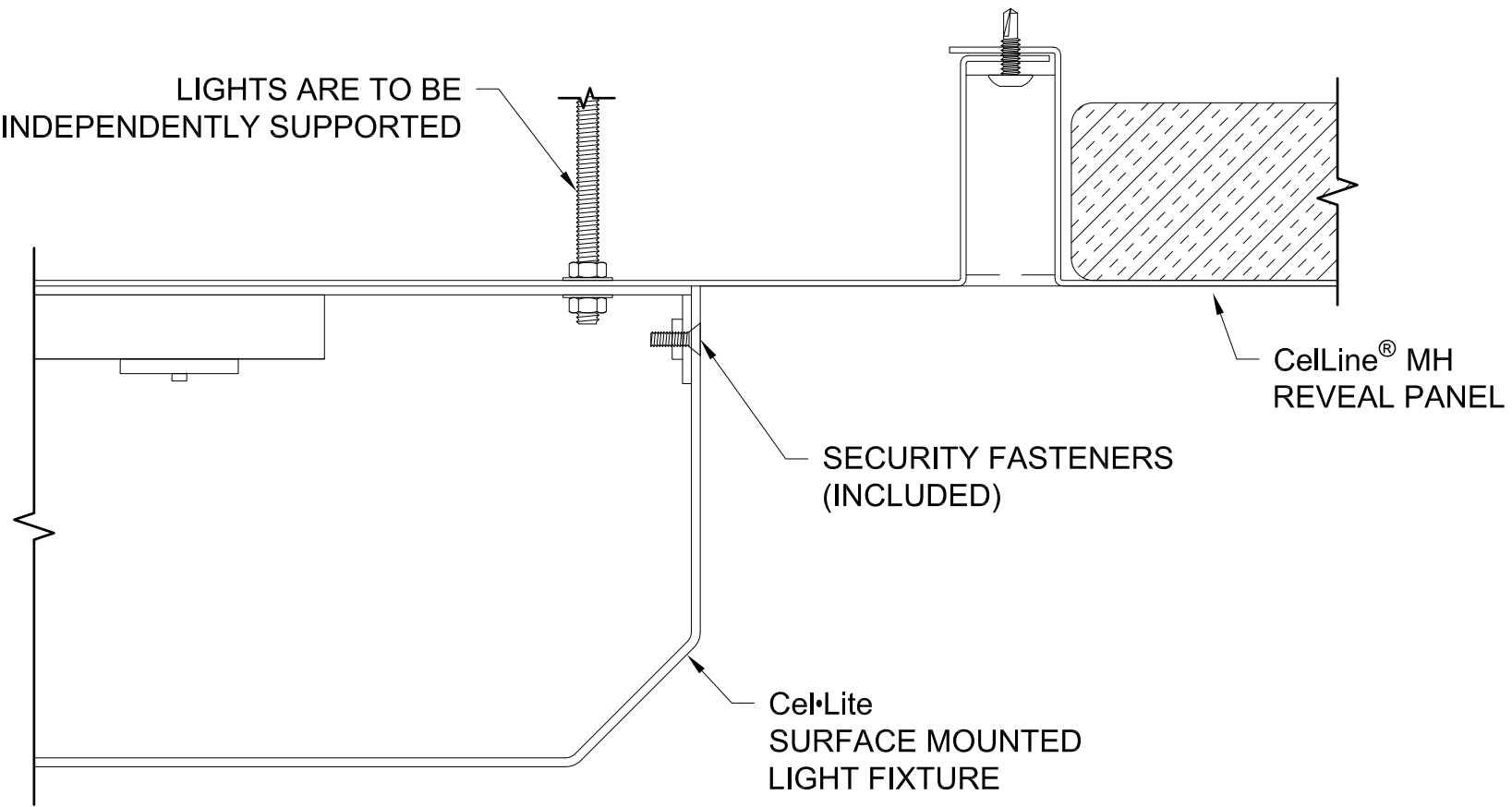


**GORDON**  
ARCHITECTURAL+ENGINEERED SOLUTIONS

© 5023 Hazel Jones Rd.  
Bossier City, LA 71111  
800.747.8954  
GORDON-INC.COM  
sales@gordon-inc.com

MENTAL HEALTH CEILINGS  
CellLine® MH REVEAL  
RECESSED LIGHT SECTION

LIGHTS ARE TO BE  
INDEPENDENTLY SUPPORTED



SECURITY FASTENERS  
(INCLUDED)

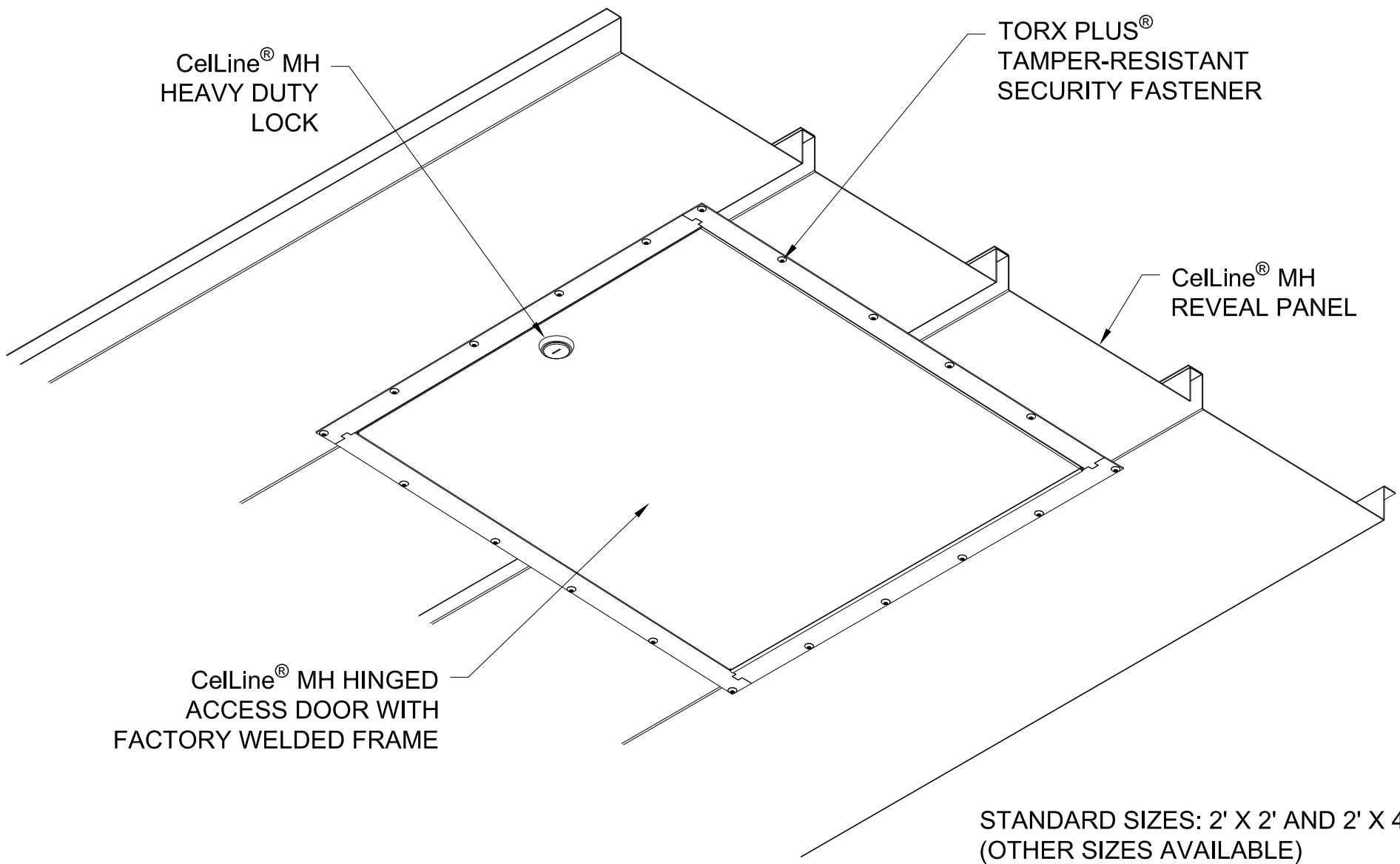
CelLine® MH  
REVEAL PANEL

Cel•Lite  
SURFACE MOUNTED  
LIGHT FIXTURE

**GORDON**®  
ARCHITECTURAL+ENGINEERED SOLUTIONS

5023 Hazel Jones Rd.  
Bossier City, LA 71111  
800.747.8954  
GORDON-INC.COM  
sales@gordon-inc.com

MENTAL HEALTH CEILINGS  
CelLine® MH REVEAL  
SURFACE LIGHT SECTION

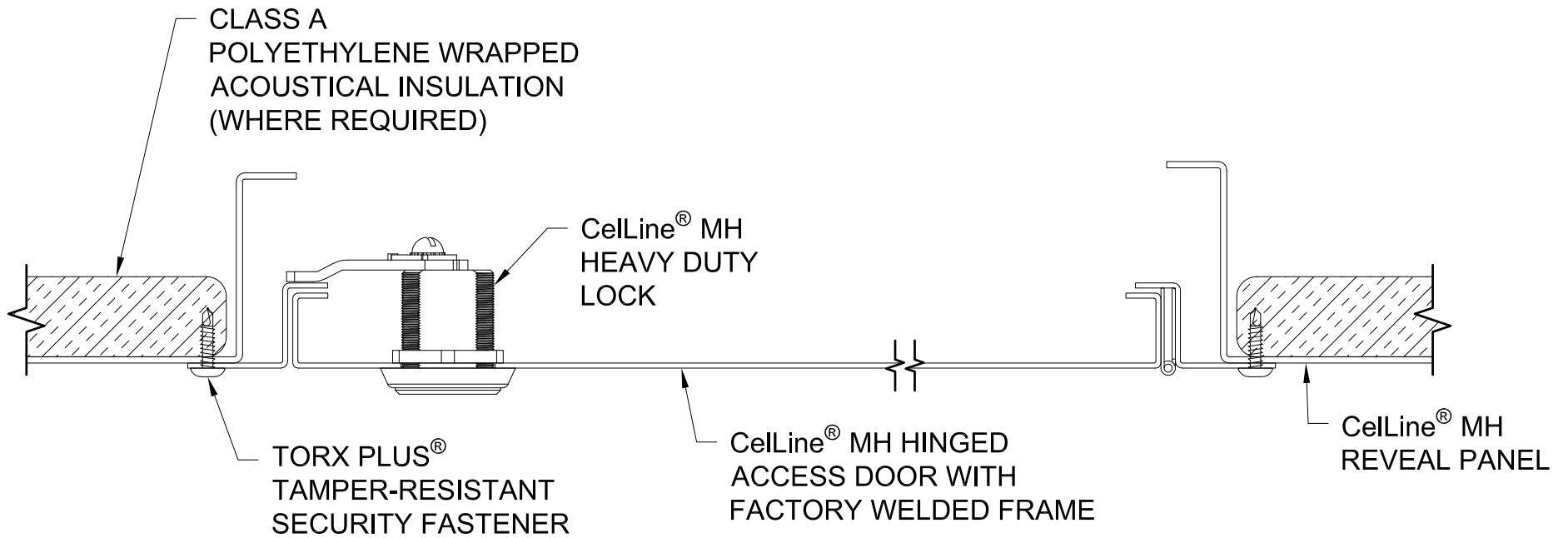


TORX PLUS® IS A REGISTERED TRADEMARK OF ACUMENT INTELLECTUAL PROPERTIES, LLC

**GORDON**®  
ARCHITECTURAL+ENGINEERED SOLUTIONS

5023 Hazel Jones Rd.  
Bossier City, LA 71111  
800.747.8954  
GORDON-INC.COM  
sales@gordon-inc.com

**MENTAL HEALTH CEILINGS**  
**CellLine® MH REVEAL**  
**ACCESS DOOR ISOMETRIC**



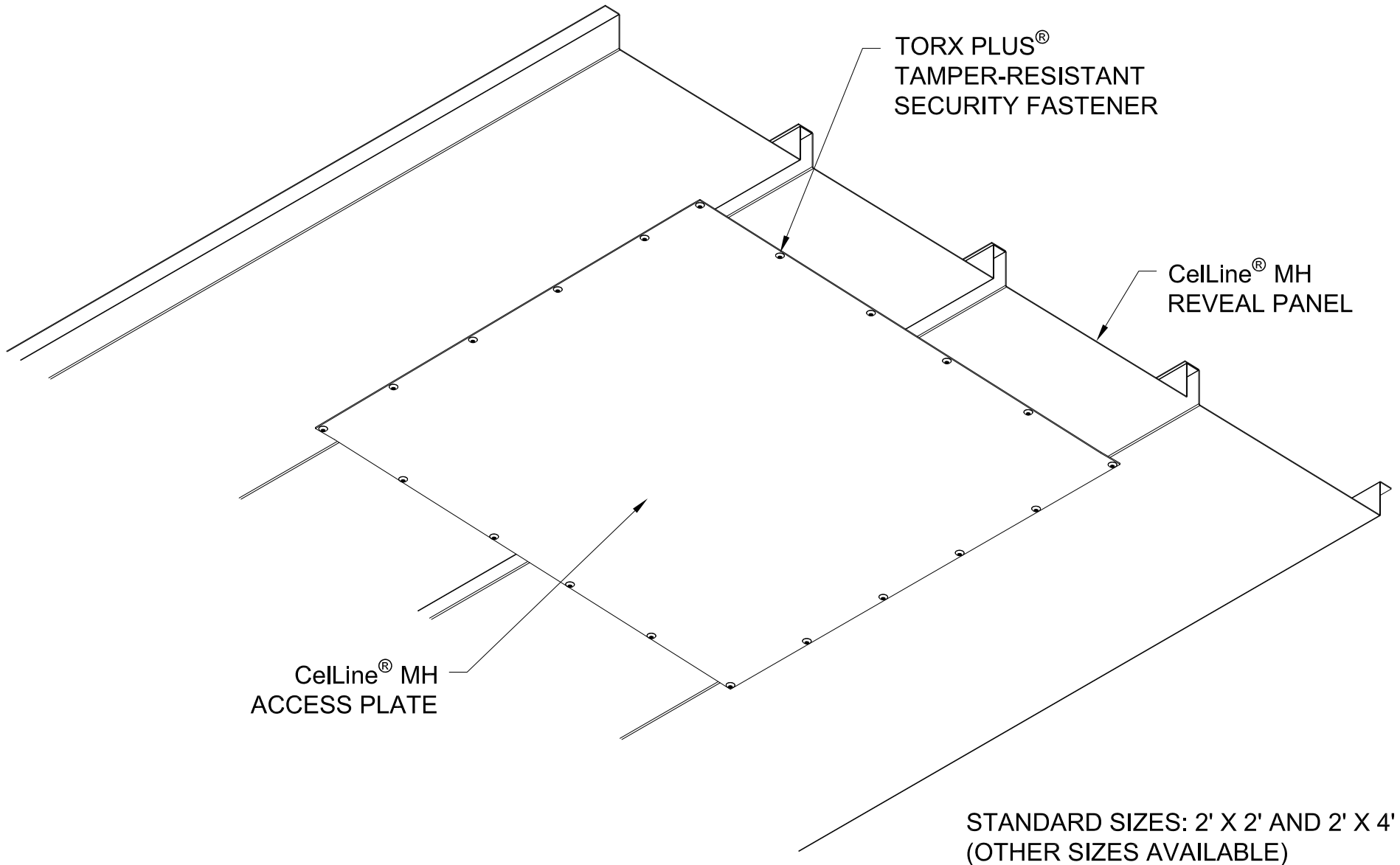
STANDARD SIZES: 2' X 2' AND 2' X 4'  
(OTHER SIZES AVAILABLE)

TORX PLUS® IS A REGISTERED TRADEMARK OF ACUMENT INTELLECTUAL PROPERTIES, LLC

**GORDON**®  
ARCHITECTURAL+ENGINEERED SOLUTIONS

5023 Hazel Jones Rd.  
Bossier City, LA 71111  
800.747.8954  
GORDON-INC.COM  
sales@gordon-inc.com

MENTAL HEALTH CEILINGS  
CellLine® MH REVEAL  
ACCESS DOOR SECTION

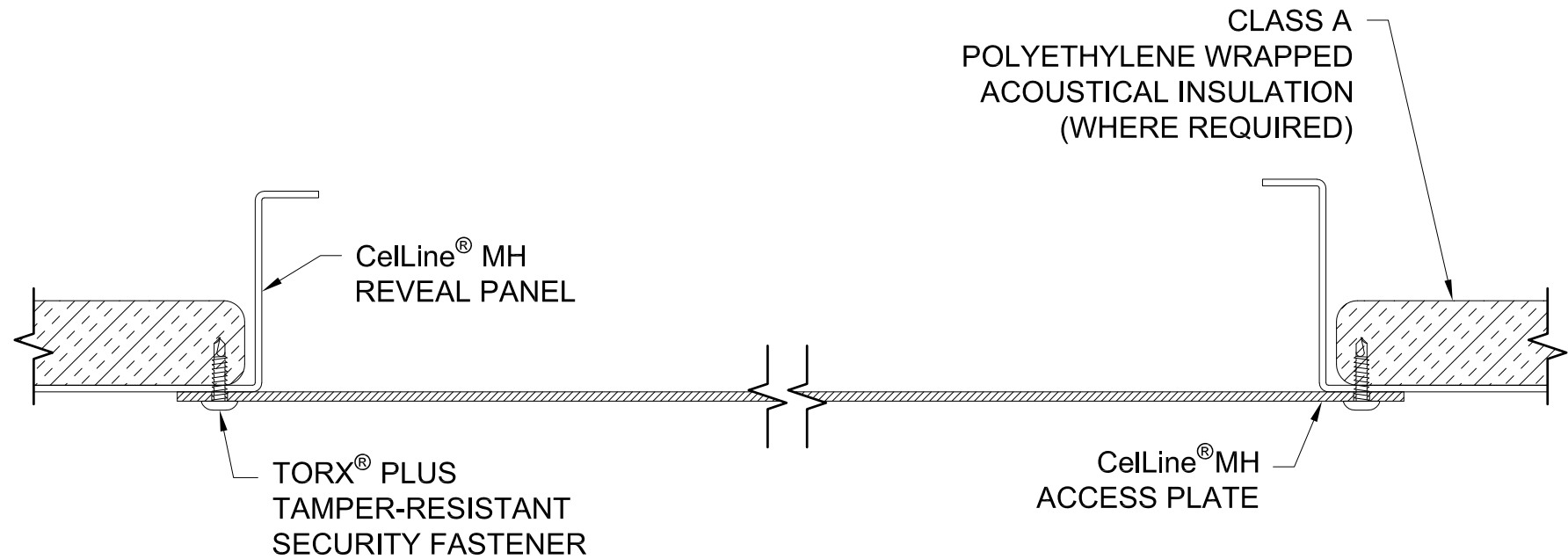


TORX PLUS® IS A REGISTERED TRADEMARK OF ACUMENT INTELLECTUAL PROPERTIES, LLC

**GORDON**® ARCHITECTURAL+ENGINEERED SOLUTIONS

5023 Hazel Jones Rd.  
 Bossier City, LA 71111  
 800.747.8954  
 GORDON-INC.COM  
 sales@gordon-inc.com

MENTAL HEALTH CEILINGS  
 CellLine® MH REVEAL  
 ACCESS PLATE ISOMETRIC



STANDARD SIZES AVAILABLE:  
1'-6" X 1'-6", 2' X 2' AND 2' X 4'

TORX PLUS® IS A REGISTERED TRADEMARK OF ACUMENT INTELLECTUAL PROPERTIES, LLC

**GORDON**® ARCHITECTURAL+ENGINEERED SOLUTIONS  
 5023 Hazel Jones Rd.  
 Bossier City, LA 71111  
 800.747.8954  
 GORDON-INC.COM  
 sales@gordon-inc.com

MENTAL HEALTH CEILINGS  
 CellLine® MH REVEAL  
 ACCESS PLATE SECTION