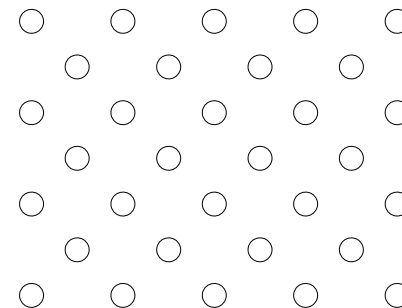
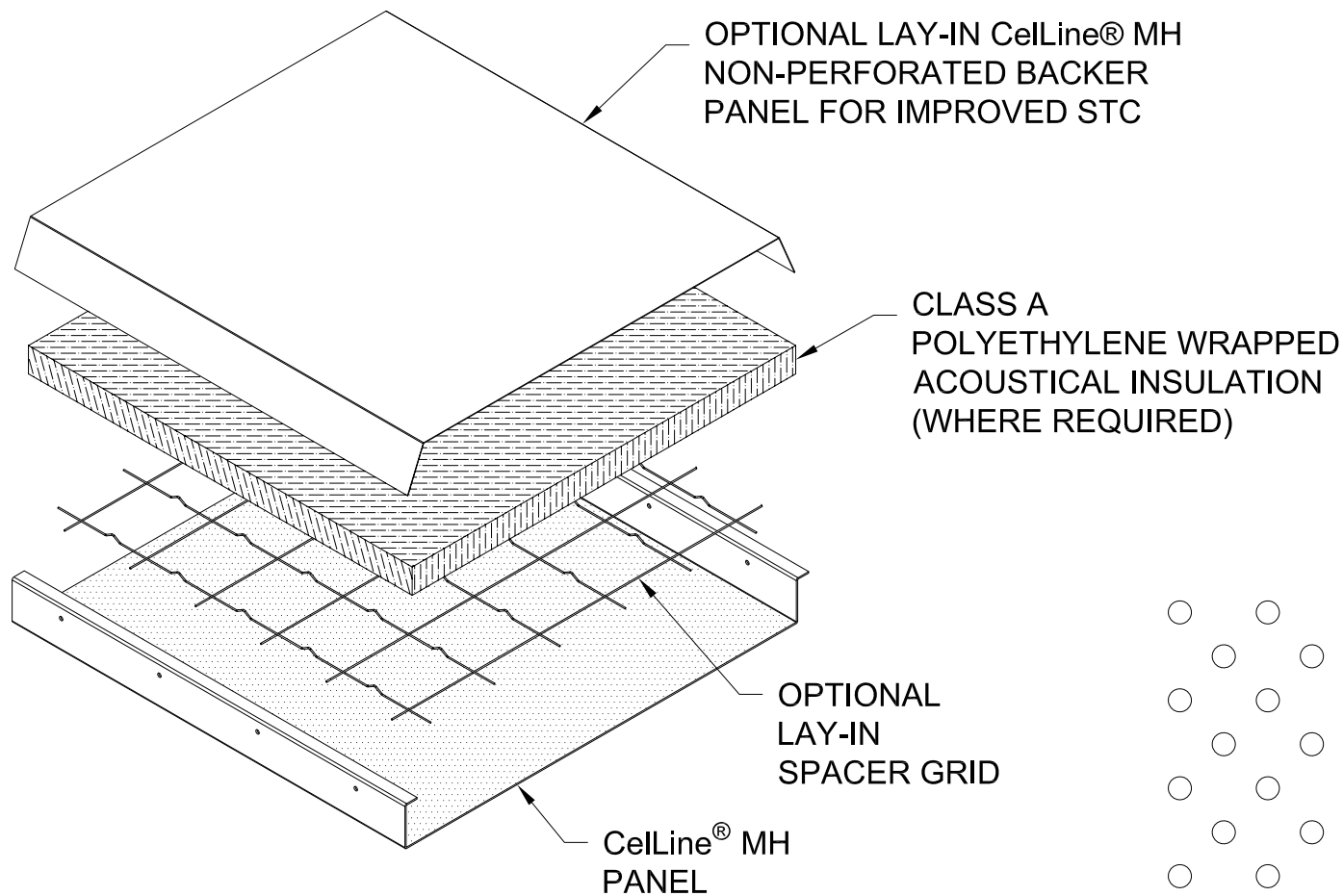


GORDON®
ARCHITECTURAL+ENGINEERED SOLUTIONS

5023 Hazel Jones Rd.
Bossier City, LA 71111
800.747.8954
GORDON-INC.COM
sales@gordon-inc.com

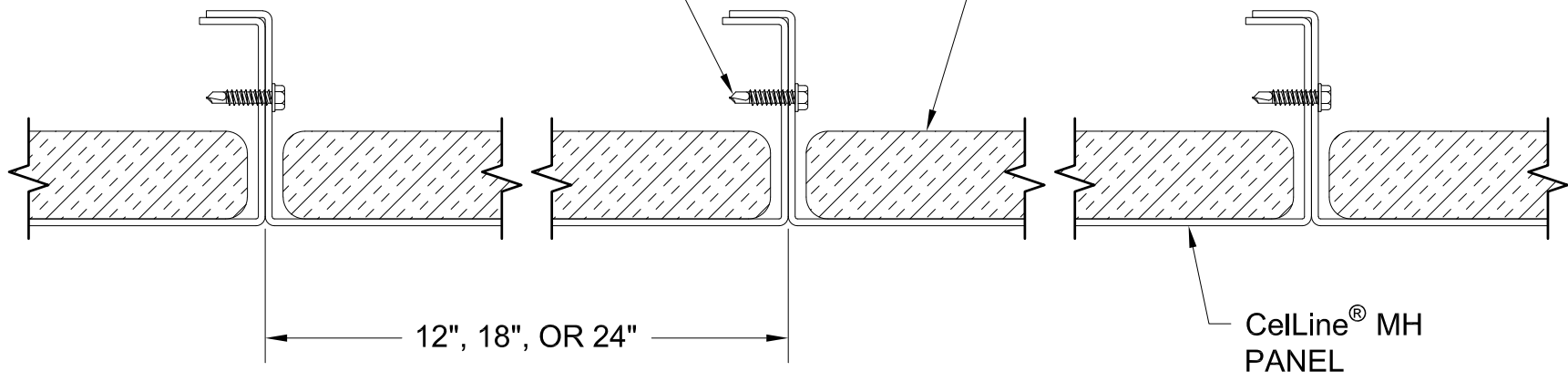
MENTAL HEALTH CEILINGS
CellLine® MH
ISOMETRIC ASSEMBLY



R18-1132DG11 PANEL PERFORATION DETAIL
1/8" HOLES ON 1 1/32" 45° DIAGONAL CENTERS
11% OPEN AREA

SELF-DRILLING
STITCHING FASTENER
3" MAX FROM END OF PANEL
AND 12" ON CENTER MAX

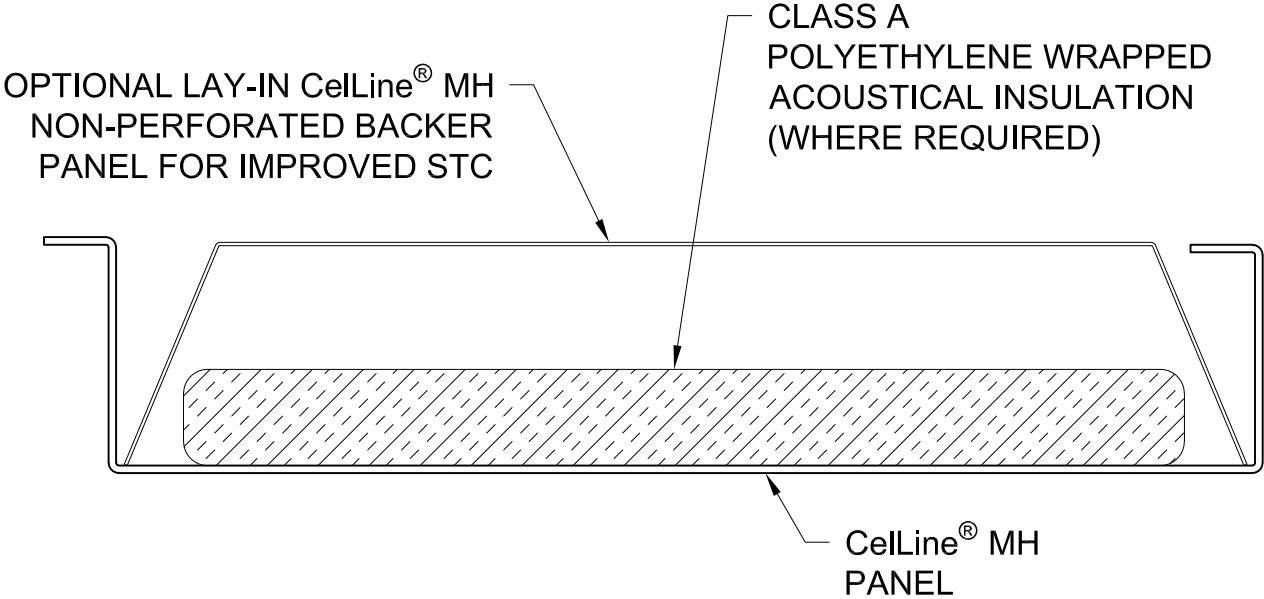
CLASS A
POLYETHYLENE WRAPPED
ACOUSTICAL INSULATION
(WHERE REQUIRED)



GORDON ARCHITECTURAL+ENGINEERED SOLUTIONS

© 5023 Hazel Jones Rd.
Bossier City, LA 71111
800.747.8954
GORDON-INC.COM
sales@gordon-inc.com

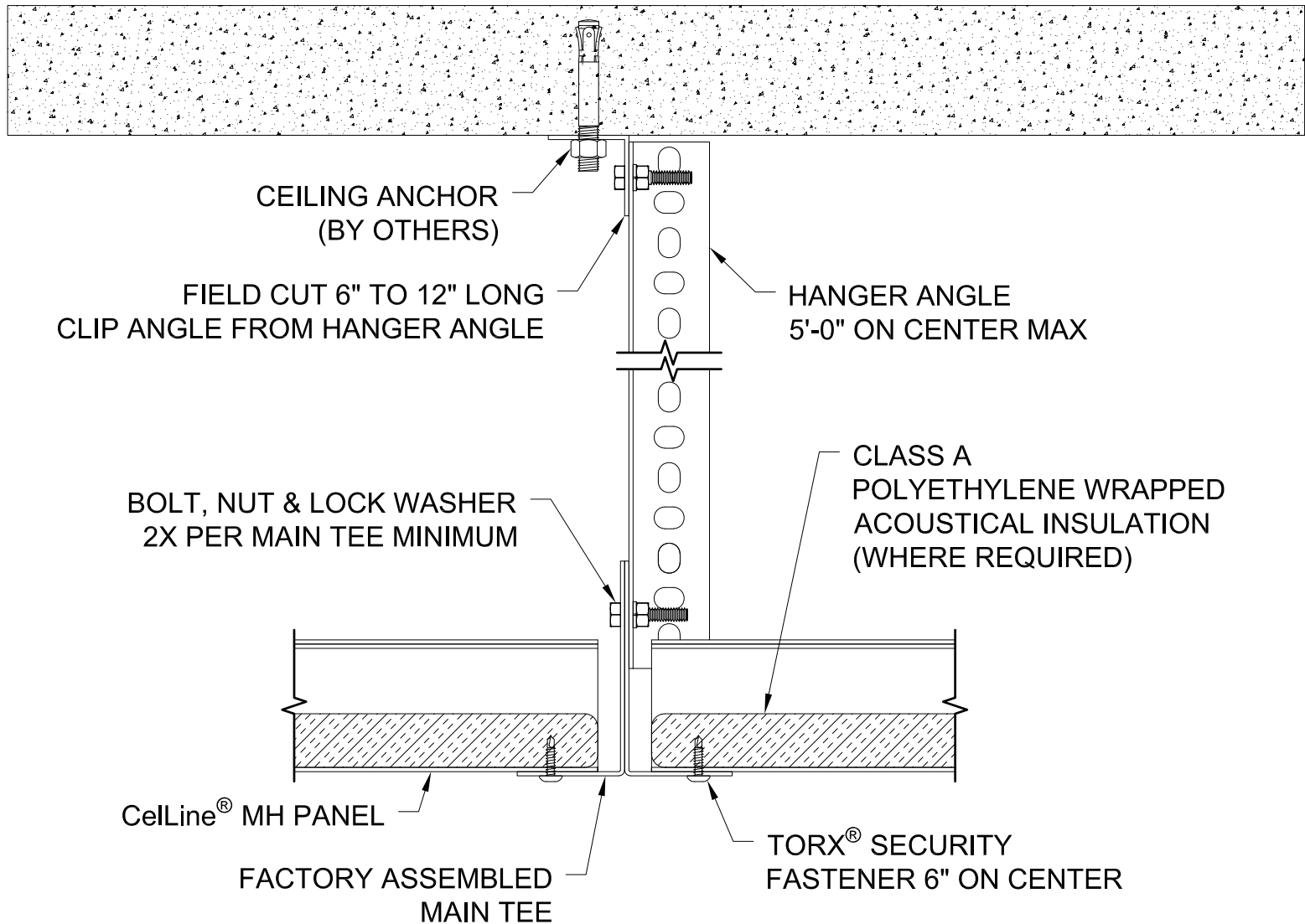
MENTAL HEALTH CEILINGS
CellLine® MH
TYPICAL PANEL SECTION



GORDON[®]
ARCHITECTURAL+ENGINEERED SOLUTIONS

5023 Hazel Jones Rd.
Bossier City, LA 71111
800.747.8954
GORDON-INC.COM
sales@gordon-inc.com

MENTAL HEALTH CEILINGS
CellLine[®] MH
BACKER PANEL SECTION

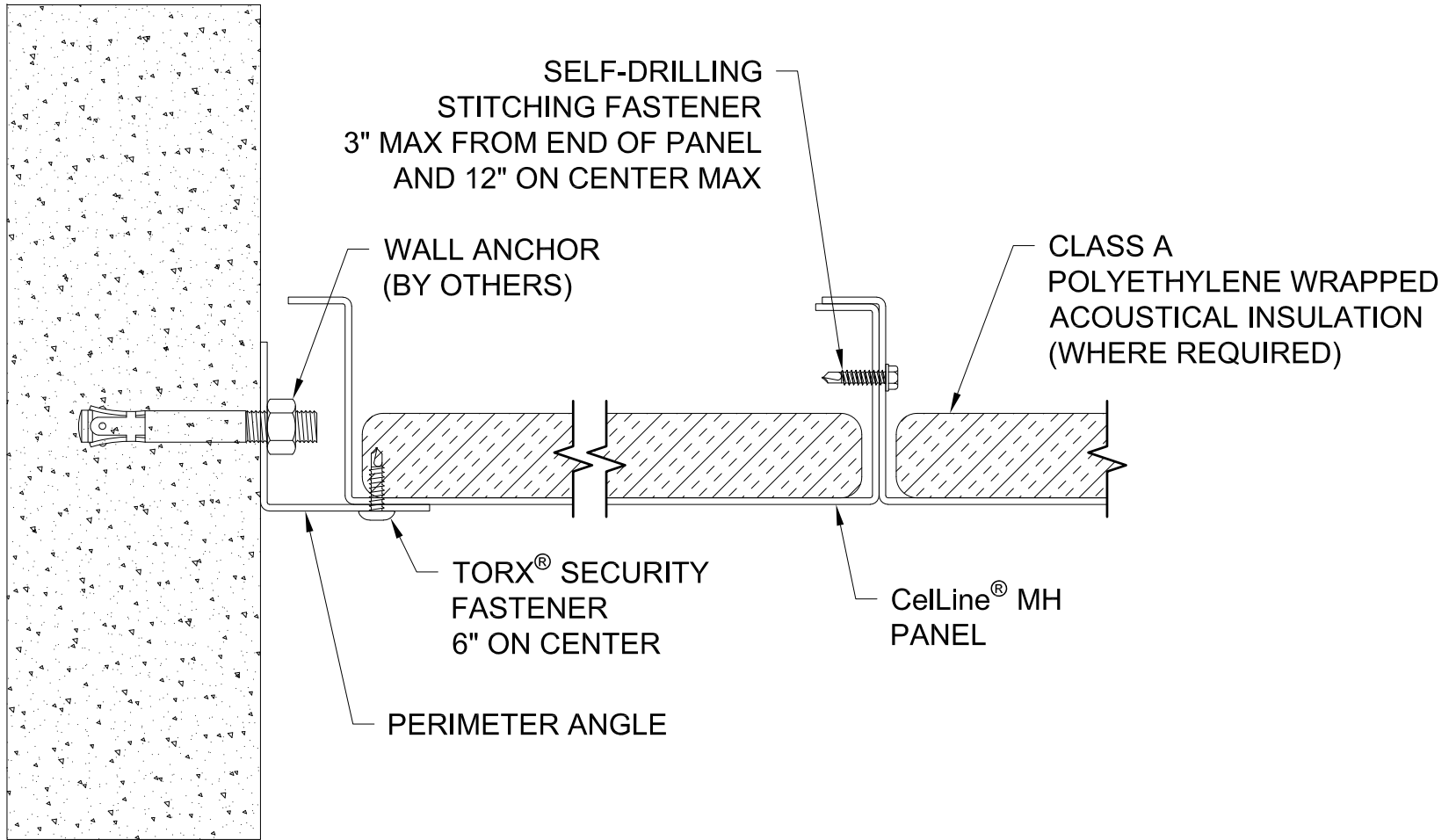


TORX® IS A REGISTERED
TRADEMARK OF CAMCAR

GORDON®
ARCHITECTURAL+ENGINEERED SOLUTIONS

5023 Hazel Jones Rd.
Bossier City, LA 71111
800.747.8954
GORDON-INC.COM
sales@gordon-inc.com

MENTAL HEALTH CEILINGS
CellLine® MH
MAIN TEE SECTION



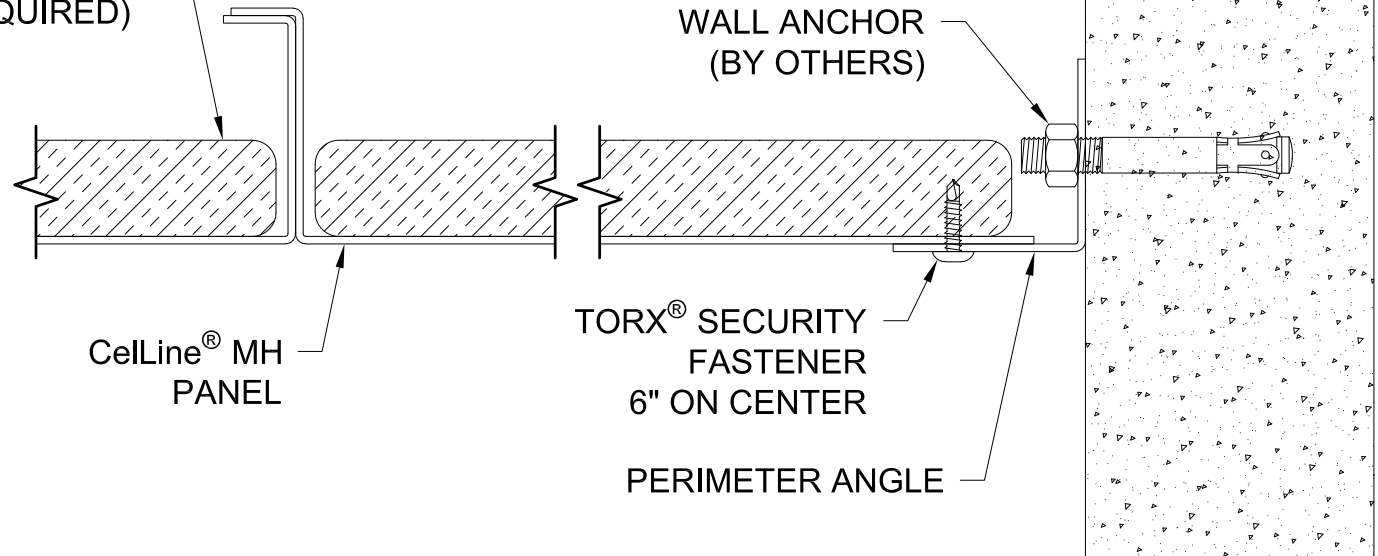
TORX® IS A REGISTERED
TRADEMARK OF CAMCAR

GORDON®
ARCHITECTURAL+ENGINEERED SOLUTIONS

5023 Hazel Jones Rd.
Bossier City, LA 71111
800.747.8954
GORDON-INC.COM
sales@gordon-inc.com

MENTAL HEALTH CEILINGS
CellLine® MH
START PANEL SECTION

CLASS A
POLYETHYLENE WRAPPED
ACOUSTICAL INSULATION
(WHERE REQUIRED)

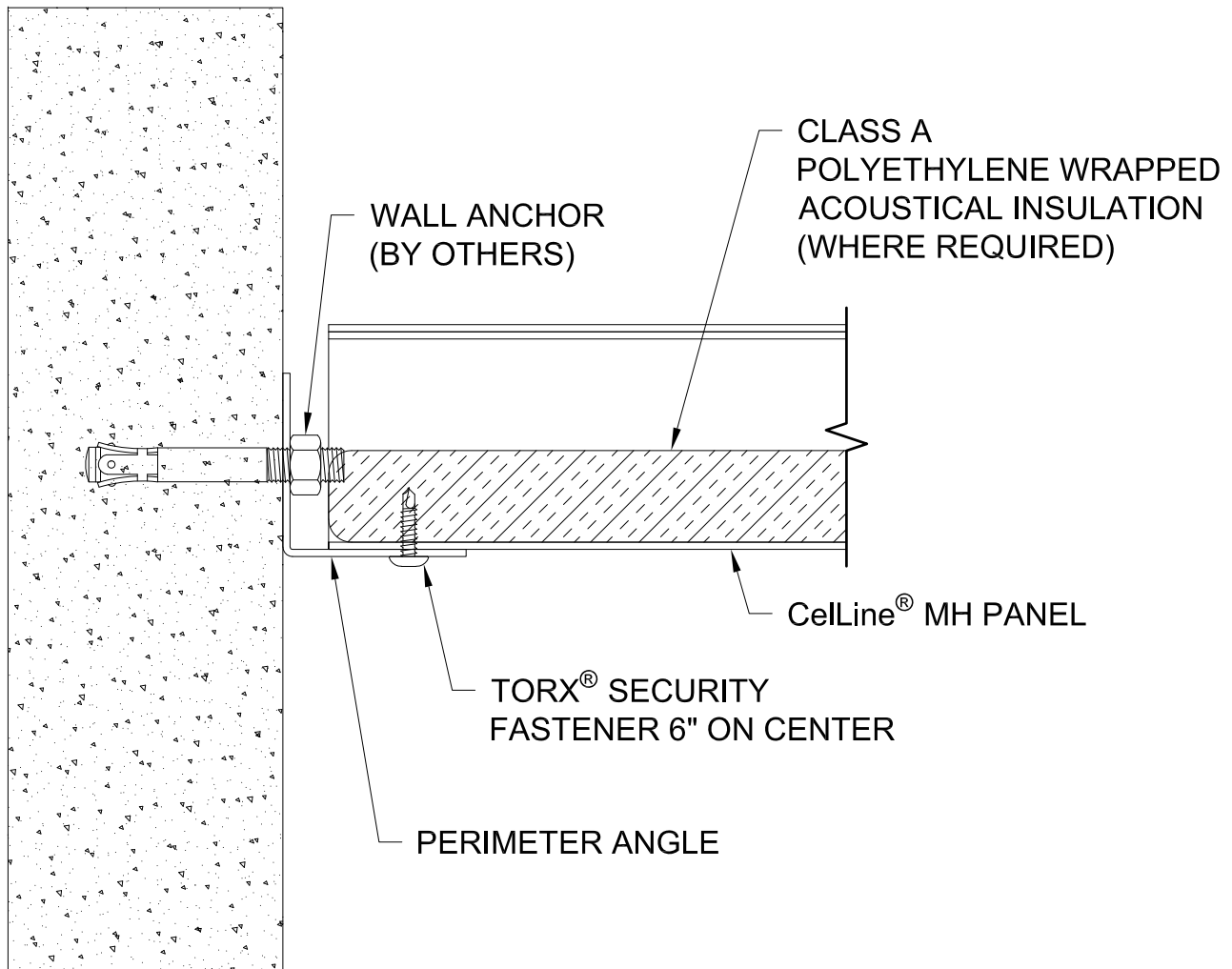


TORX® IS A REGISTERED
TRADEMARK OF CAMCAR

GORDON®
ARCHITECTURAL+ENGINEERED SOLUTIONS

5023 Hazel Jones Rd.
Bossier City, LA 71111
800.747.8954
GORDON-INC.COM
sales@gordon-inc.com

MENTAL HEALTH CEILINGS
CellLine® MH
LAST PANEL SECTION

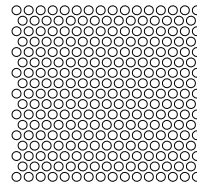
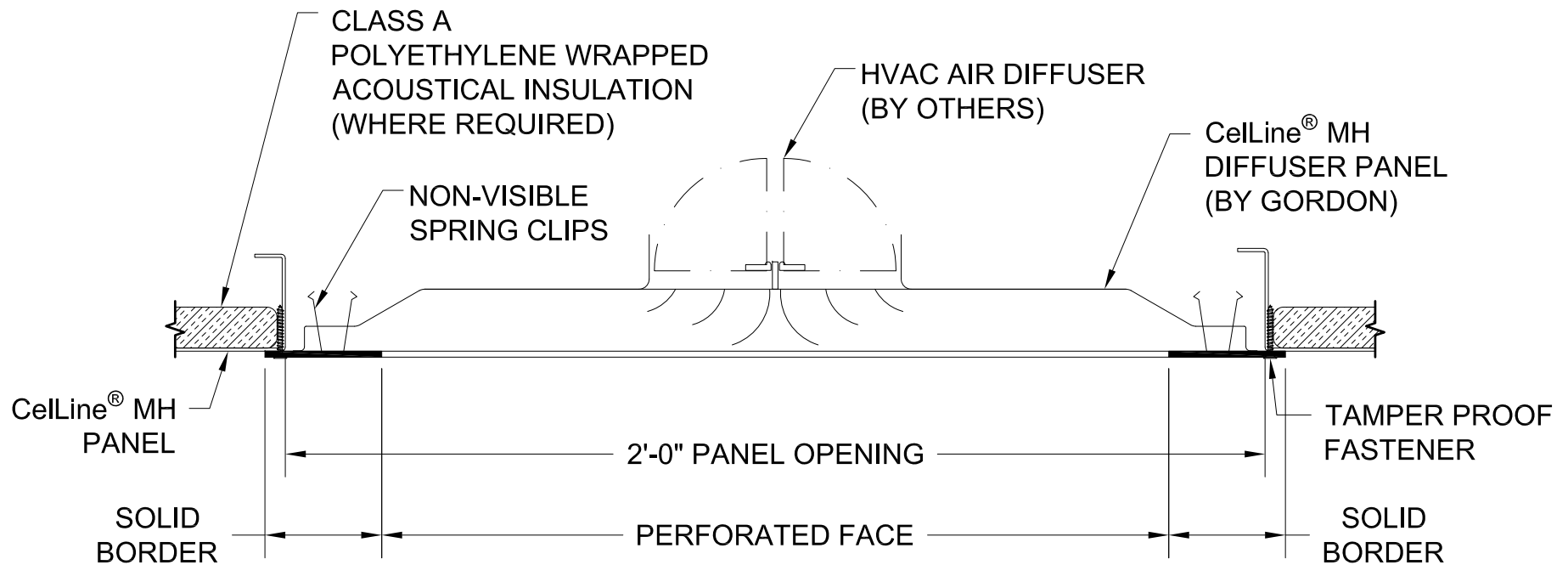


TORX® IS A REGISTERED
TRADEMARK OF CAMCAR

GORDON®
ARCHITECTURAL+ENGINEERED SOLUTIONS

5023 Hazel Jones Rd.
Bossier City, LA 71111
800.747.8954
GORDON-INC.COM
sales@gordon-inc.com

MENTAL HEALTH CEILINGS
CellLine® MH
END OF PANEL SECTION



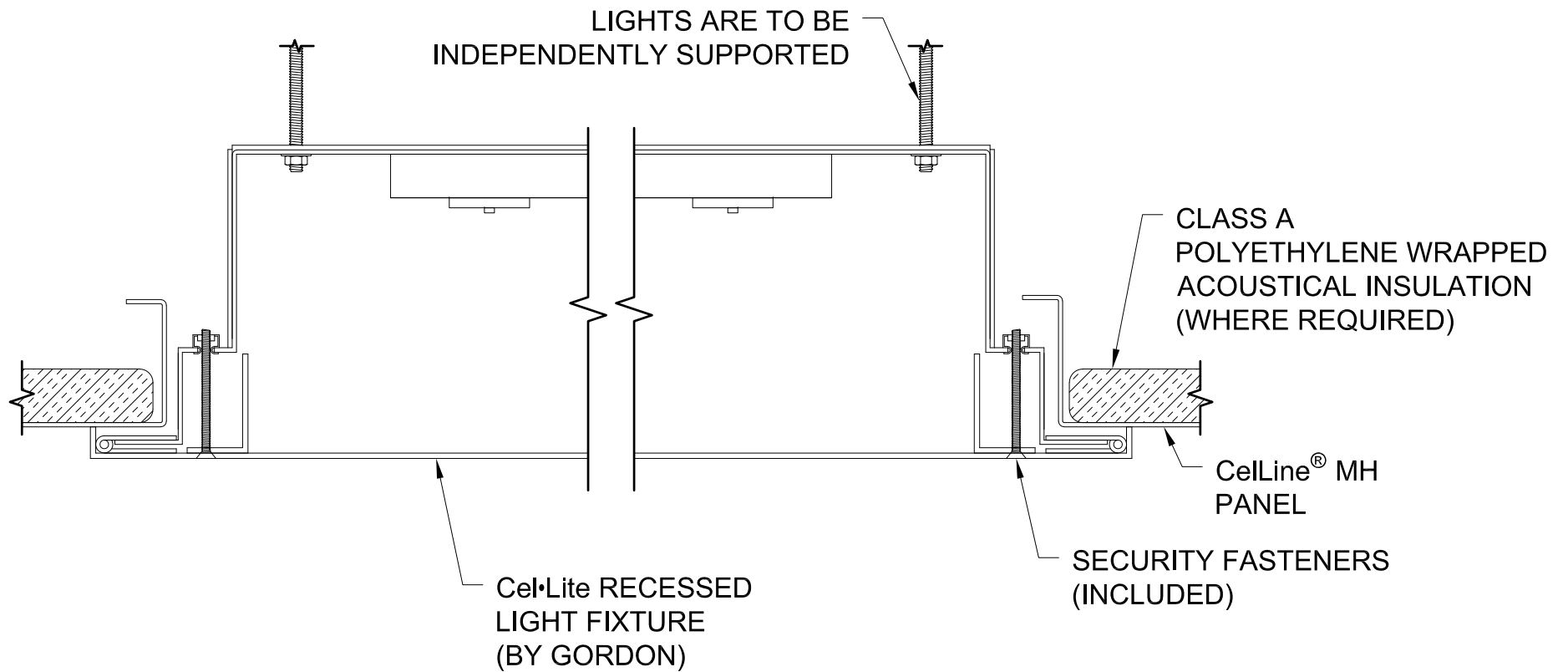
DIFFUSER PANEL PERFORATION PATTERN
3/16" HOLES ON 1/4" STAGGERED CENTERS
50% OPEN AREA

OTHER PERFORATION PATTERNS ARE AVAILABLE
 (CONTACT FACTORY)

GORDON®
 ARCHITECTURAL+ENGINEERED SOLUTIONS

5023 Hazel Jones Rd.
 Bossier City, LA 71111
 800.747.8954
 GORDON-INC.COM
 sales@gordon-inc.com

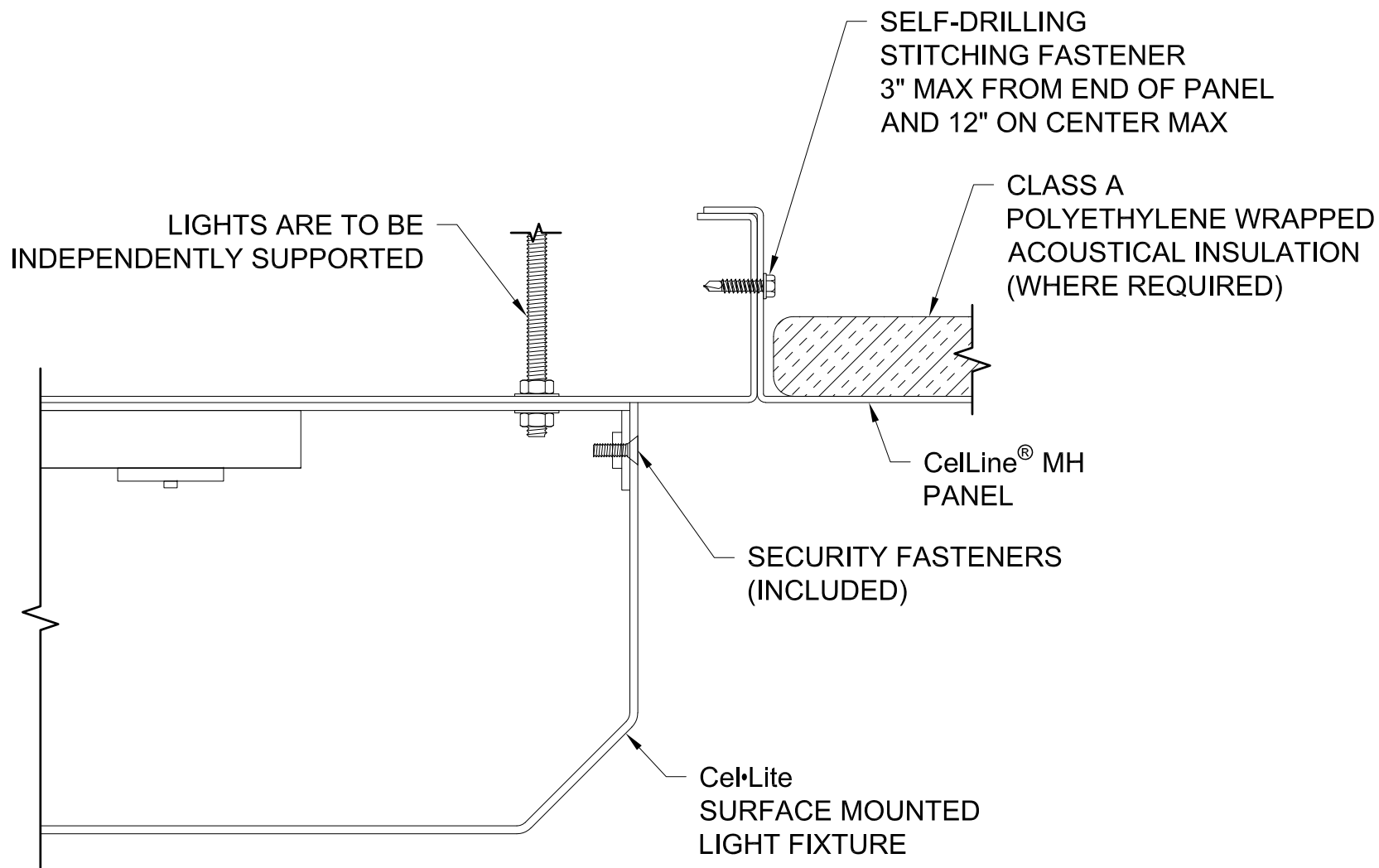
MENTAL HEALTH CEILINGS
 CelLine® MH
 HVAC DIFFUSER SECTION



GORDON®
ARCHITECTURAL+ENGINEERED SOLUTIONS

5023 Hazel Jones Rd.
Bossier City, LA 71111
800.747.8954
GORDON-INC.COM
sales@gordon-inc.com

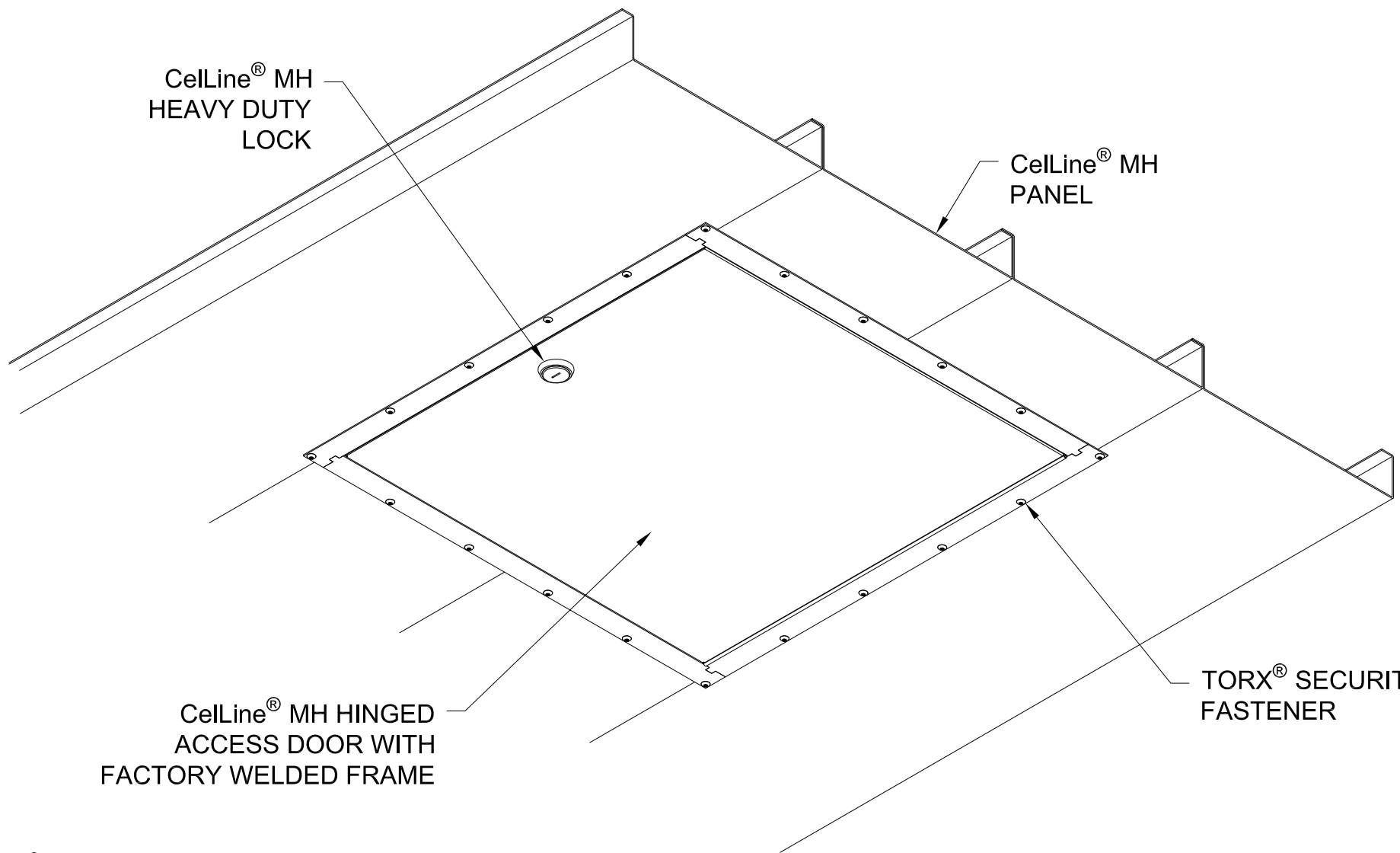
MENTAL HEALTH CEILINGS
CellLine® MH
RECESSED LIGHT SECTION



GORDON®
ARCHITECTURAL+ENGINEERED SOLUTIONS

5023 Hazel Jones Rd.
Bossier City, LA 71111
800.747.8954
GORDON-INC.COM
sales@gordon-inc.com

MENTAL HEALTH CEILINGS
CellLine® MH
SURFACE LIGHT SECTION



CellLine® MH
HEAVY DUTY
LOCK

CellLine® MH
PANEL

CellLine® MH HINGED
ACCESS DOOR WITH
FACTORY WELDED FRAME

TORX® SECURITY
FASTENER

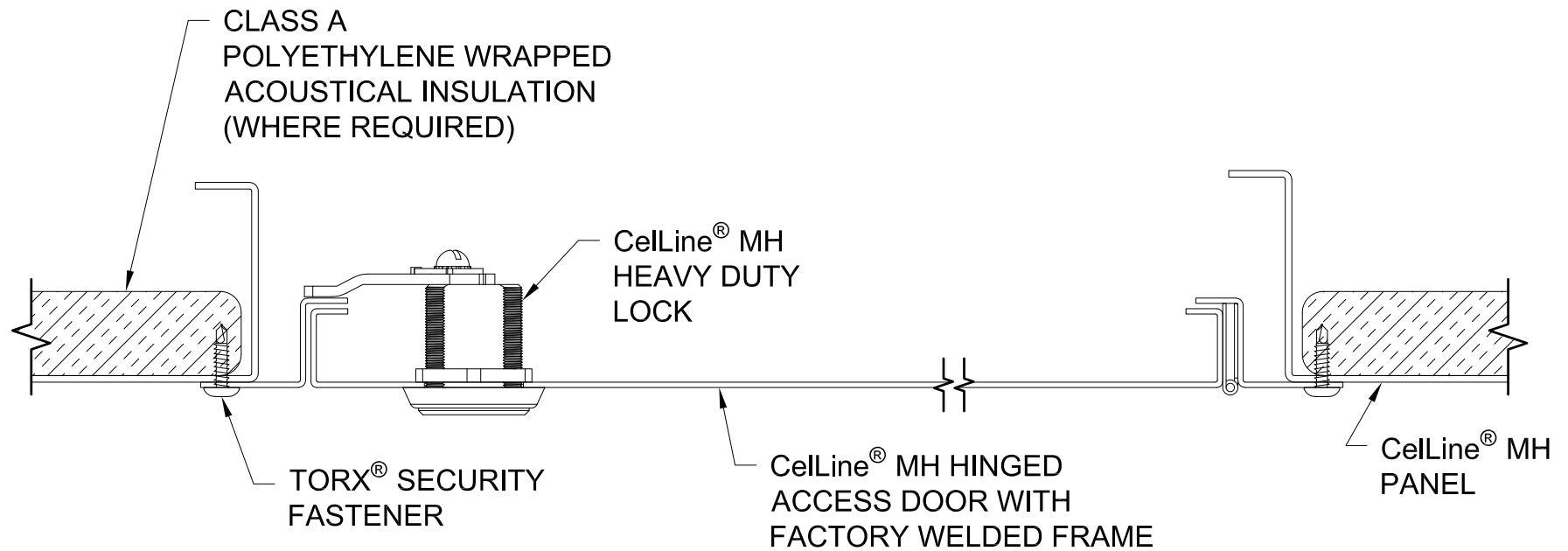
TORX® IS A REGISTERED
TRADEMARK OF CAMCAR

STANDARD SIZES: 2' X 2' AND 2' X 4'
(OTHER SIZES AVAILABLE)

GORDON®
ARCHITECTURAL+ENGINEERED SOLUTIONS

5023 Hazel Jones Rd.
Bossier City, LA 71111
800.747.8954
GORDON-INC.COM
sales@gordon-inc.com

MENTAL HEALTH CEILINGS
CellLine® MH
ACCESS DOOR ISOMETRIC



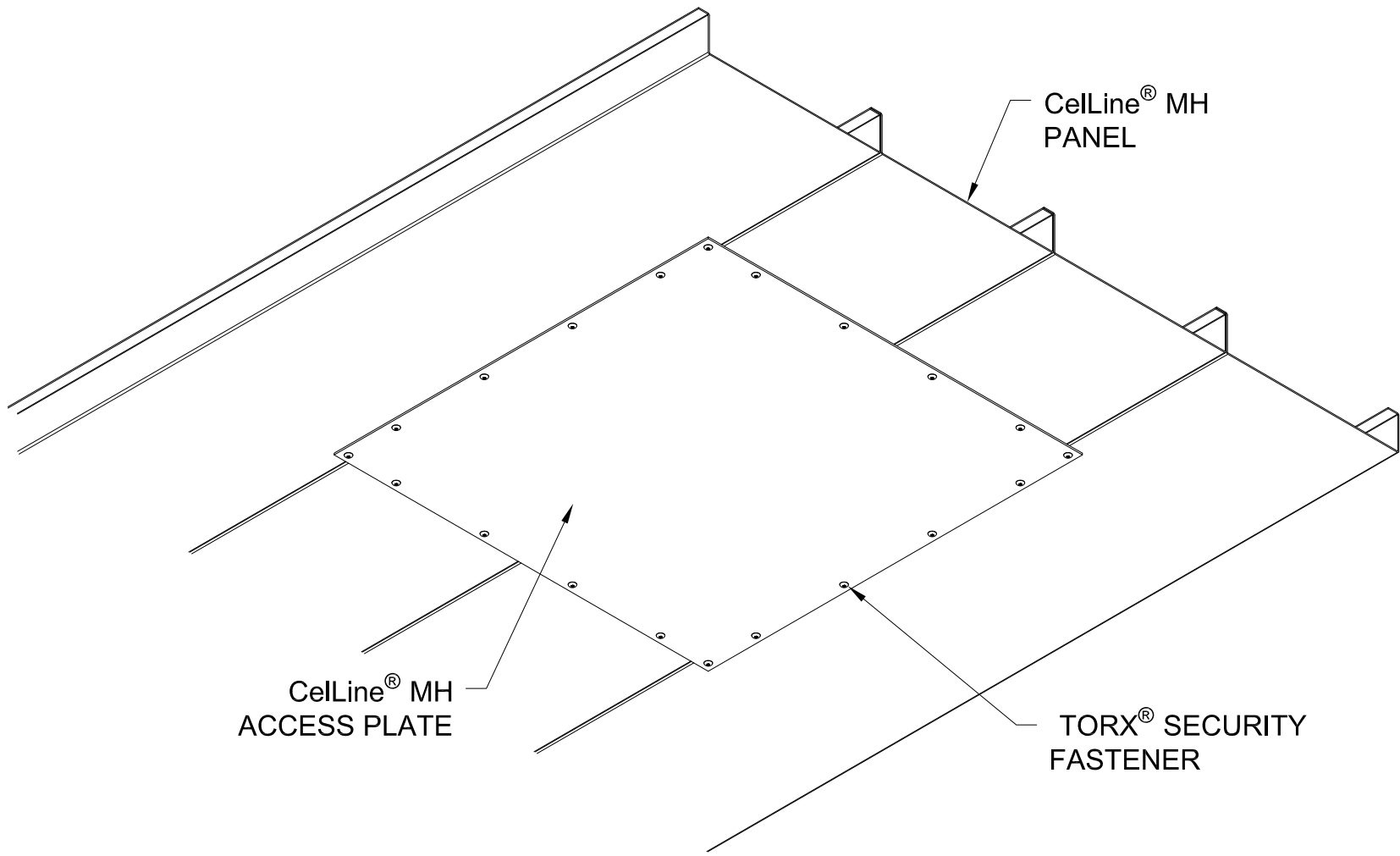
TORX® IS A REGISTERED
TRADEMARK OF CAMCAR

STANDARD SIZES: 2' X 2' AND 2' X 4'
(OTHER SIZES AVAILABLE)

GORDON®
ARCHITECTURAL+ENGINEERED SOLUTIONS

5023 Hazel Jones Rd.
Bossier City, LA 71111
800.747.8954
GORDON-INC.COM
sales@gordon-inc.com

MENTAL HEALTH CEILINGS
CellLine® MH
ACCESS DOOR SECTION



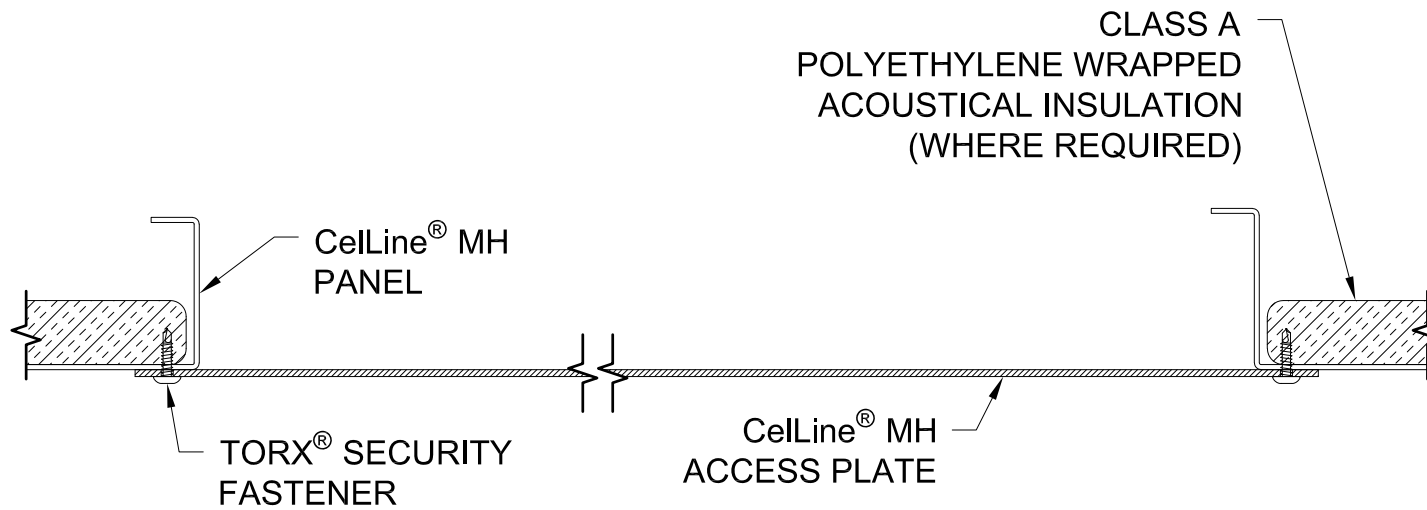
TORX® IS A REGISTERED
TRADEMARK OF CAMCAR

STANDARD SIZES AVAILABLE:
1'-6" X 1'-6", 2' X 2' AND 2' X 4'

GORDON®
ARCHITECTURAL+ENGINEERED SOLUTIONS

5023 Hazel Jones Rd.
Bossier City, LA 71111
800.747.8954
GORDON-INC.COM
sales@gordon-inc.com

MENTAL HEALTH CEILINGS
CelLine® MH
ACCESS PLATE ISOMETRIC

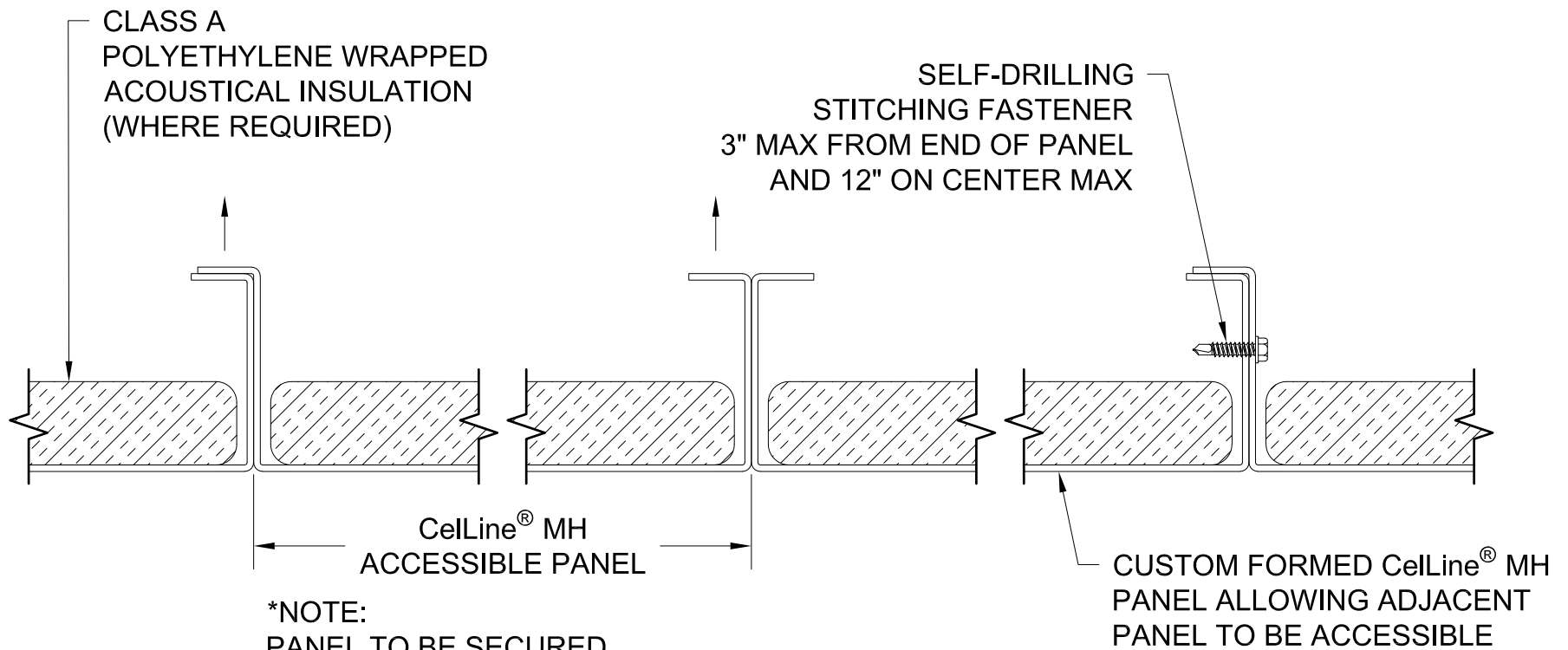


STANDARD SIZES AVAILABLE:
1'-6" X 1'-6", 2' X 2' AND 2' X 4'

GORDON®
ARCHITECTURAL+ENGINEERED SOLUTIONS

5023 Hazel Jones Rd.
Bossier City, LA 71111
800.747.8954
GORDON-INC.COM
sales@gordon-inc.com

MENTAL HEALTH CEILINGS
CellLine® MH
ACCESS PLATE SECTION



*NOTE:
PANEL TO BE SECURED
TO PERIMETER TRIM AT EACH END
USING TORX® SECURITY FASTENERS

TORX® IS A REGISTERED
TRADEMARK OF CAMCAR

GORDON® ARCHITECTURAL+ENGINEERED SOLUTIONS
5023 Hazel Jones Rd.
Bossier City, LA 71111
800.747.8954
GORDON-INC.COM
sales@gordon-inc.com

MENTAL HEALTH CEILINGS
CellLine® MH
ACCESS PANEL SECTION