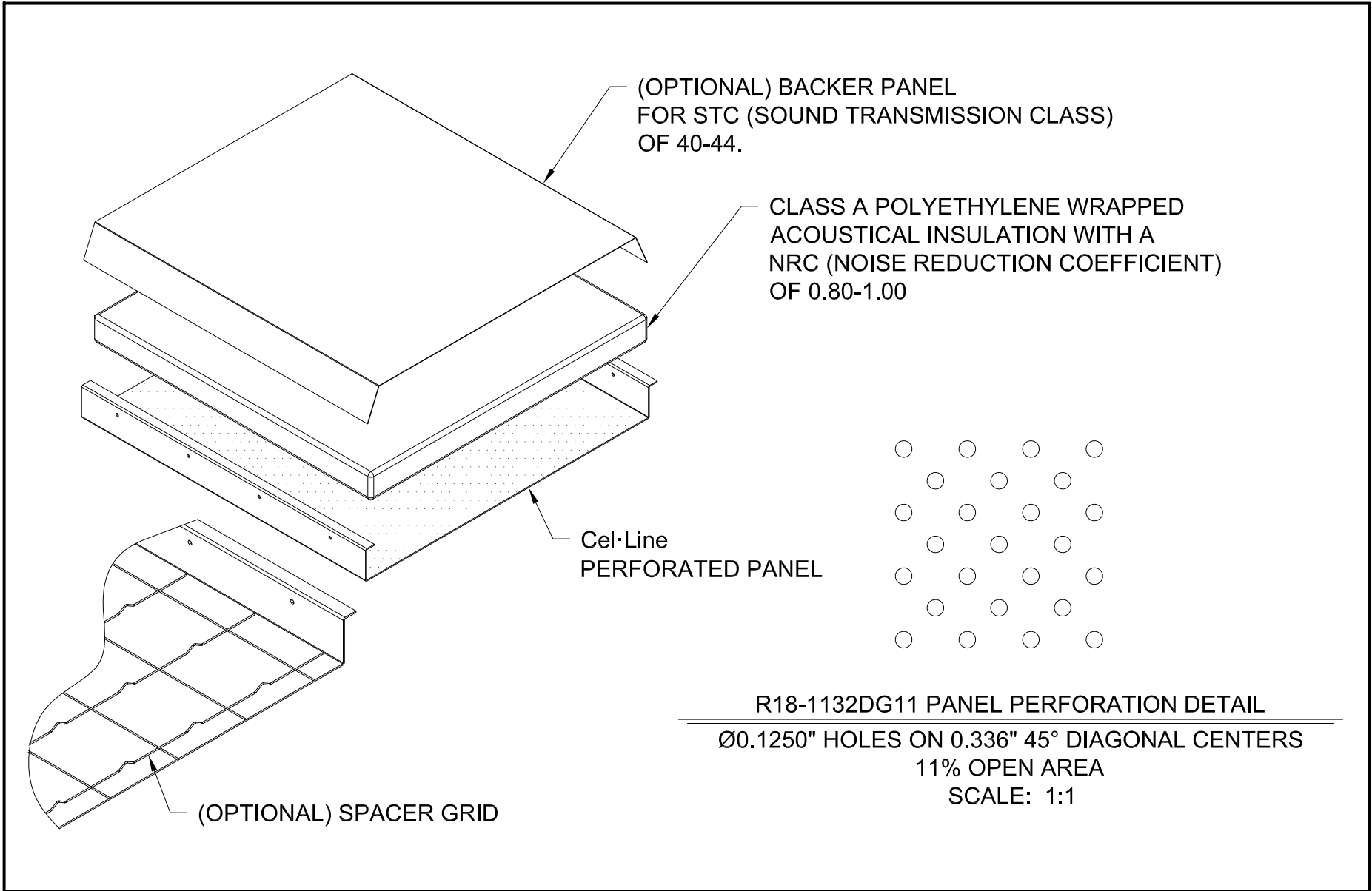


**GORDON**<sup>®</sup>  
ARCHITECTURAL+ENGINEERED SOLUTIONS

5023 Hazel Jones Rd.  
Bossier City, LA 71111  
800.747.8954  
GORDON-INC.COM  
sales@gordon-inc.com

TITLE

CONCEALED FASTENER Cel·Line<sup>®</sup>  
ISOMETRIC ASSEMBLY DETAIL

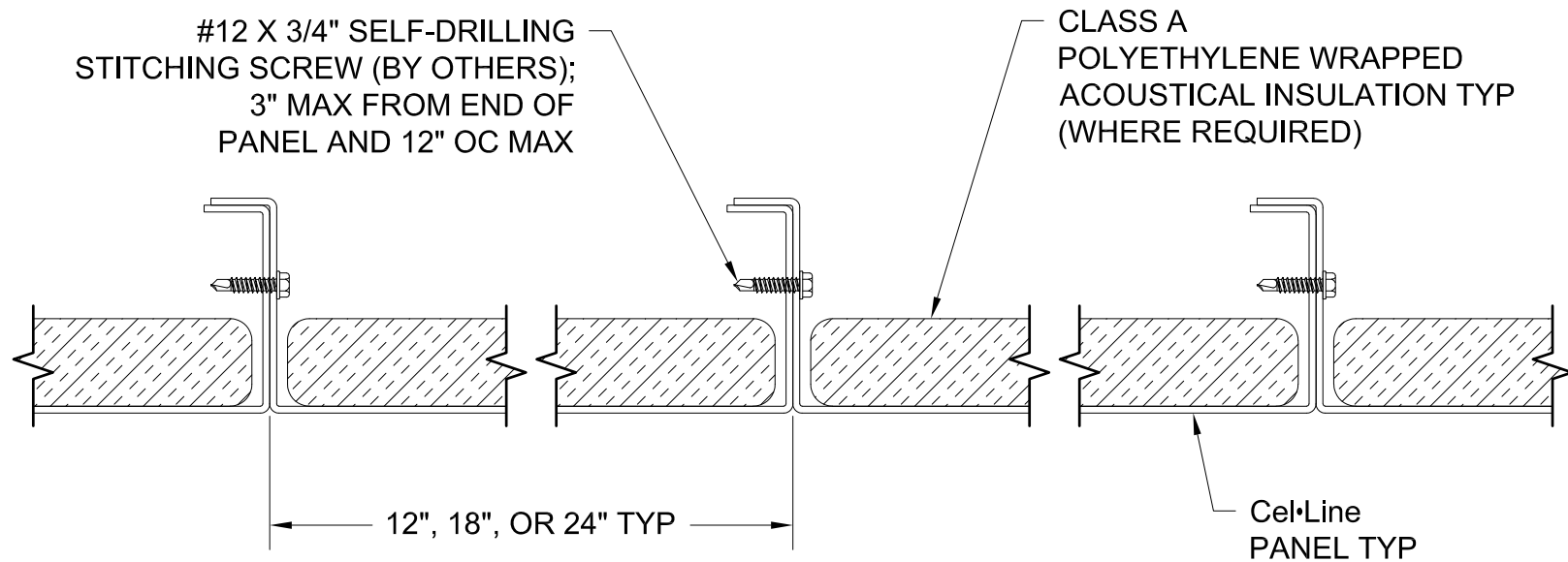


**GORDON**<sup>®</sup>  
ARCHITECTURAL+ENGINEERED SOLUTIONS

5023 Hazel Jones Rd.  
Bossier City, LA 71111  
800.747.8954  
GORDON-INC.COM  
sales@gordon-inc.com

TITLE

CONCEALED FASTENER Cel-Line<sup>®</sup>  
ISOMETRIC PANEL DETAIL

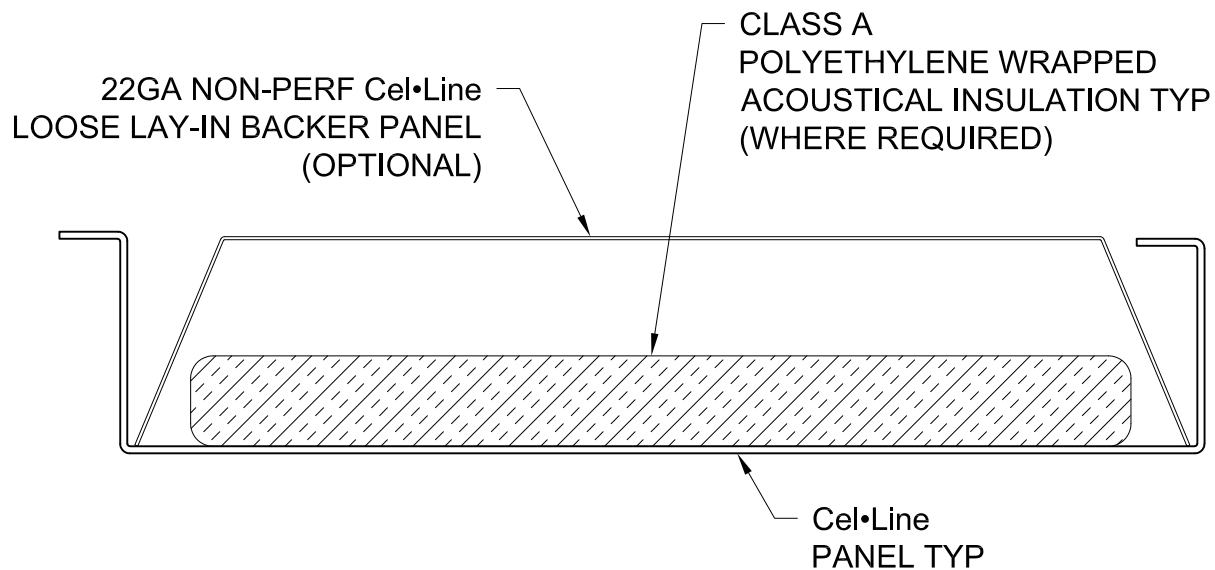


**GORDON**<sup>®</sup>  
ARCHITECTURAL+ENGINEERED SOLUTIONS

5023 Hazel Jones Rd.  
Bossier City, LA 71111  
800.747.8954  
GORDON-INC.COM  
sales@gordon-inc.com

TITLE

CONCEALED FASTENER Cel-Line<sup>®</sup>  
TYP PANEL SECTION

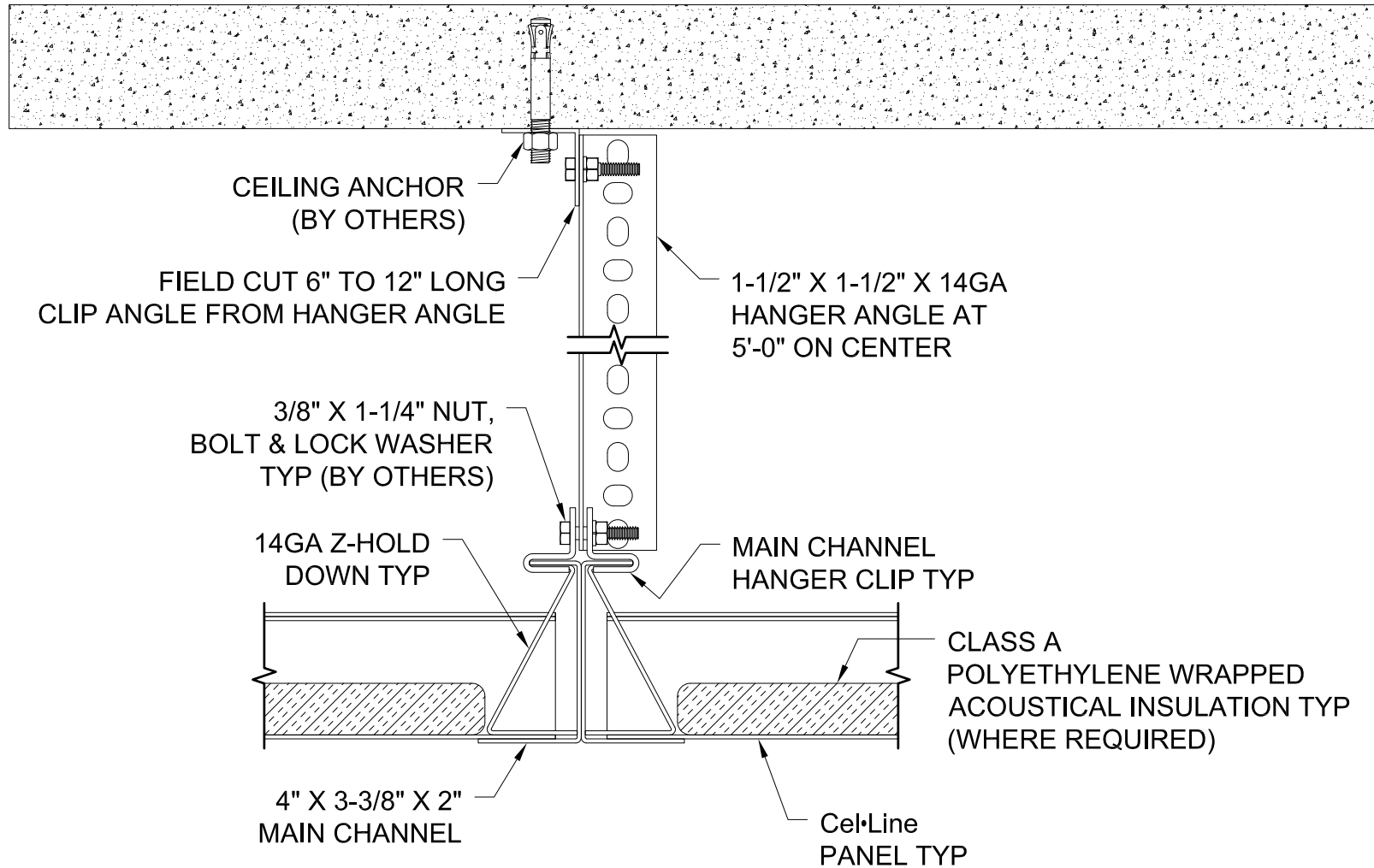


**GORDON**<sup>®</sup>  
ARCHITECTURAL+ENGINEERED SOLUTIONS

5023 Hazel Jones Rd.  
Bossier City, LA 71111  
800.747.8954  
GORDON-INC.COM  
sales@gordon-inc.com

TITLE

CONCEALED FASTENER Cel•Line<sup>®</sup>  
SECTION AT BACKER PANEL

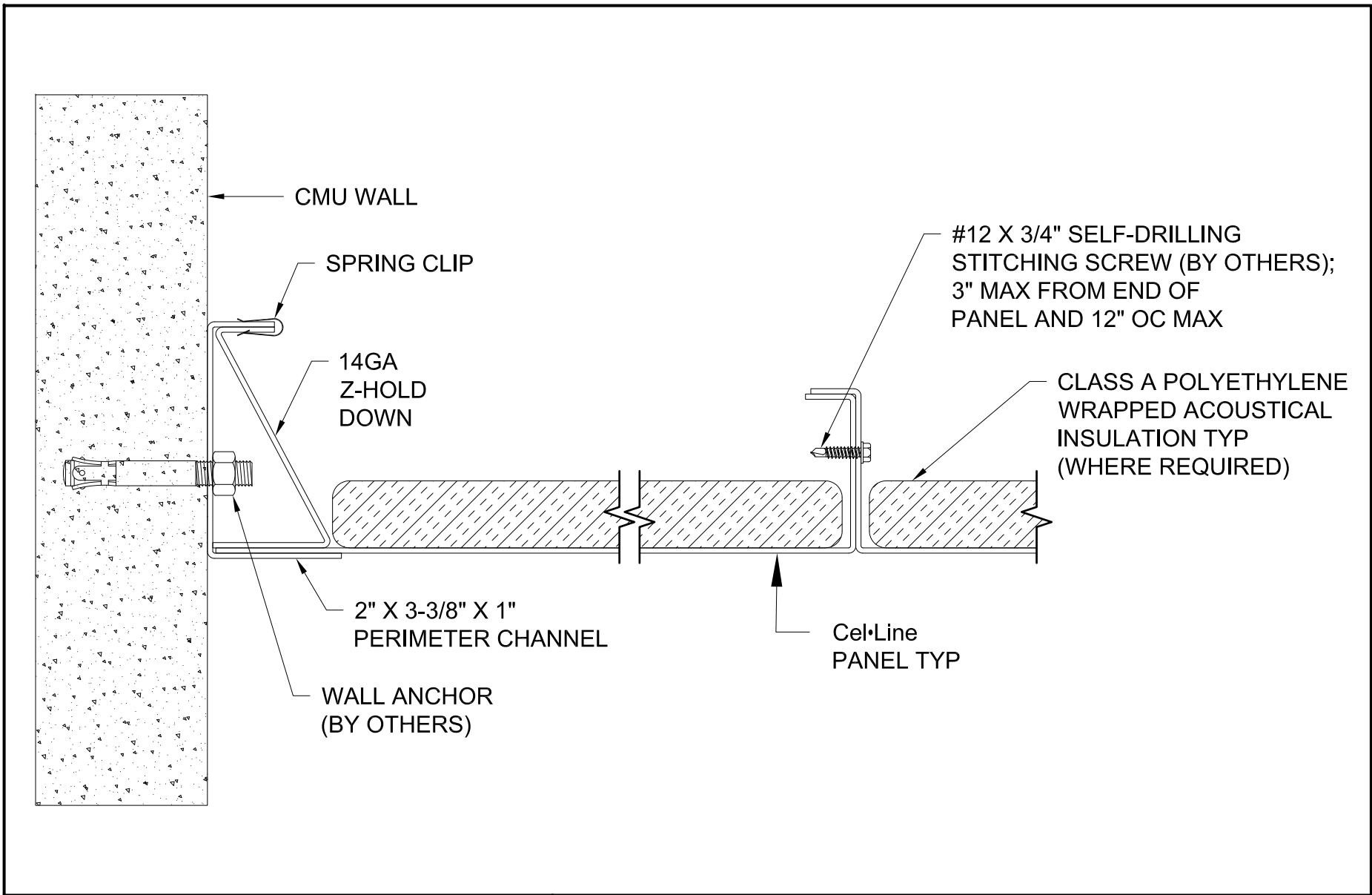


**GORDON**<sup>®</sup>  
ARCHITECTURAL+ENGINEERED SOLUTIONS

5023 Hazel Jones Rd.  
Bossier City, LA 71111  
800.747.8954  
GORDON-INC.COM  
sales@gordon-inc.com

TITLE

CONCEALED FASTENER Cel•Line<sup>®</sup>  
DETAIL AT MAIN TEE

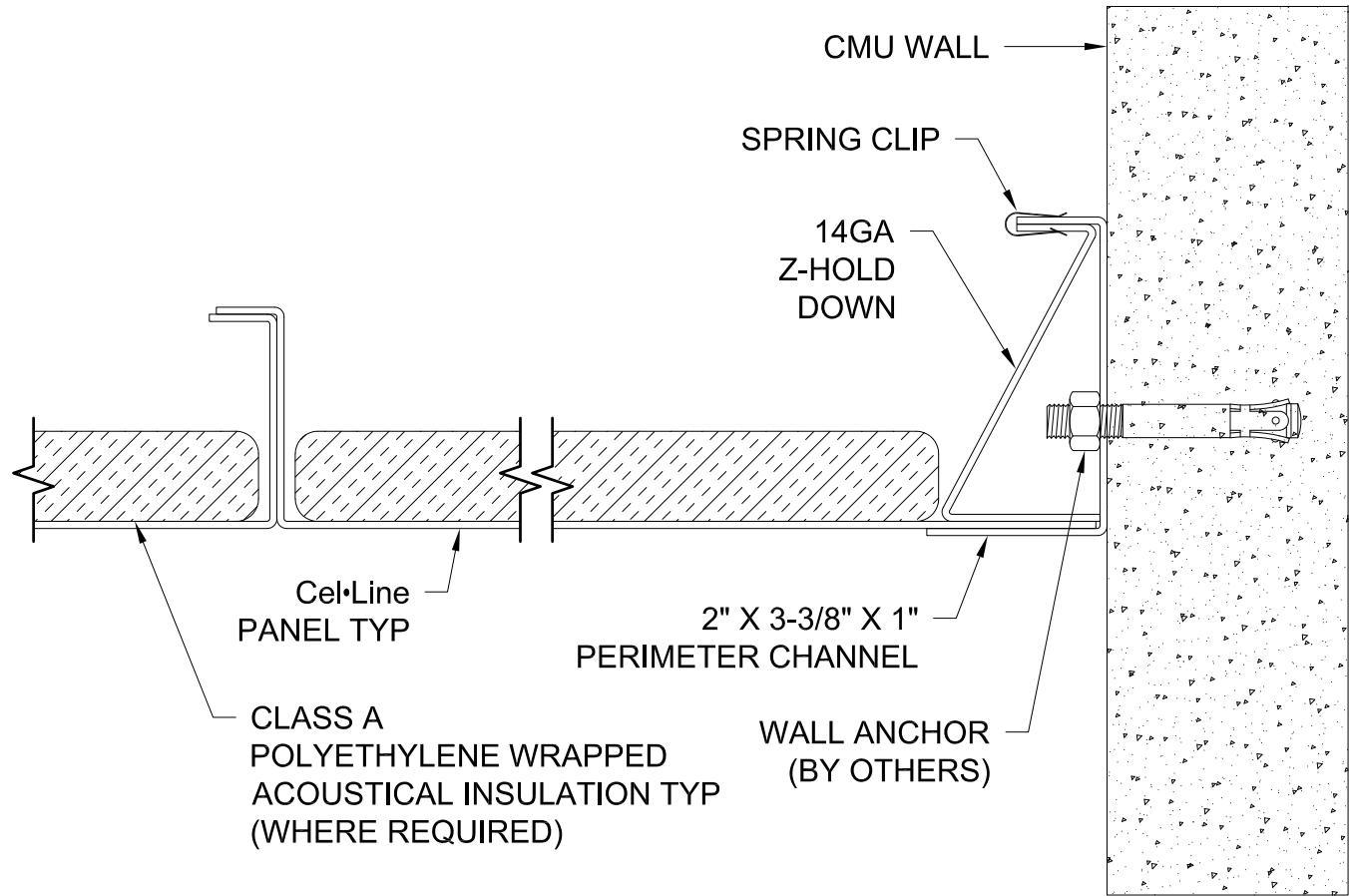


**GORDON**<sup>®</sup>  
ARCHITECTURAL+ENGINEERED SOLUTIONS

5023 Hazel Jones Rd.  
Bossier City, LA 71111  
800.747.8954  
GORDON-INC.COM  
sales@gordon-inc.com

TITLE

CONCEALED FASTENER Cel·Line<sup>®</sup>  
DETAIL AT START PANEL



**GORDON**<sup>®</sup>  
ARCHITECTURAL+ENGINEERED SOLUTIONS

5023 Hazel Jones Rd.  
Bossier City, LA 71111  
800.747.8954  
GORDON-INC.COM  
sales@gordon-inc.com

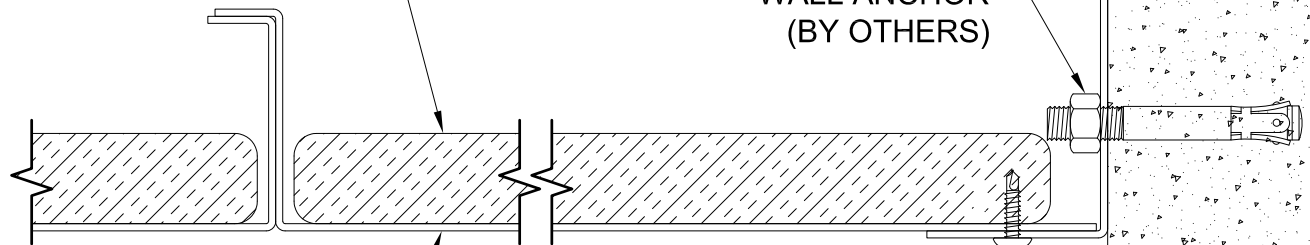
TITLE

CONCEALED FASTENER Cel-Line<sup>®</sup>  
DETAIL AT LAST PANEL

CLASS A  
POLYETHYLENE WRAPPED  
ACOUSTICAL INSULATION TYP  
(WHERE REQUIRED)

2" X 3-3/8" X 1"  
PERIMETER CHANNEL

WALL ANCHOR  
(BY OTHERS)



Cel·Line  
PANEL TYP

#12 X 3/4" TORX SECURITY  
SCREWS 6" ON CENTER  
(FIELD DRILL HOLES IN CHANNEL)

CMU WALL

TORX® TAMPER RESISTANT SECURITY SCREWS IS A REGISTERED TRADEMARK OF CAMCAR

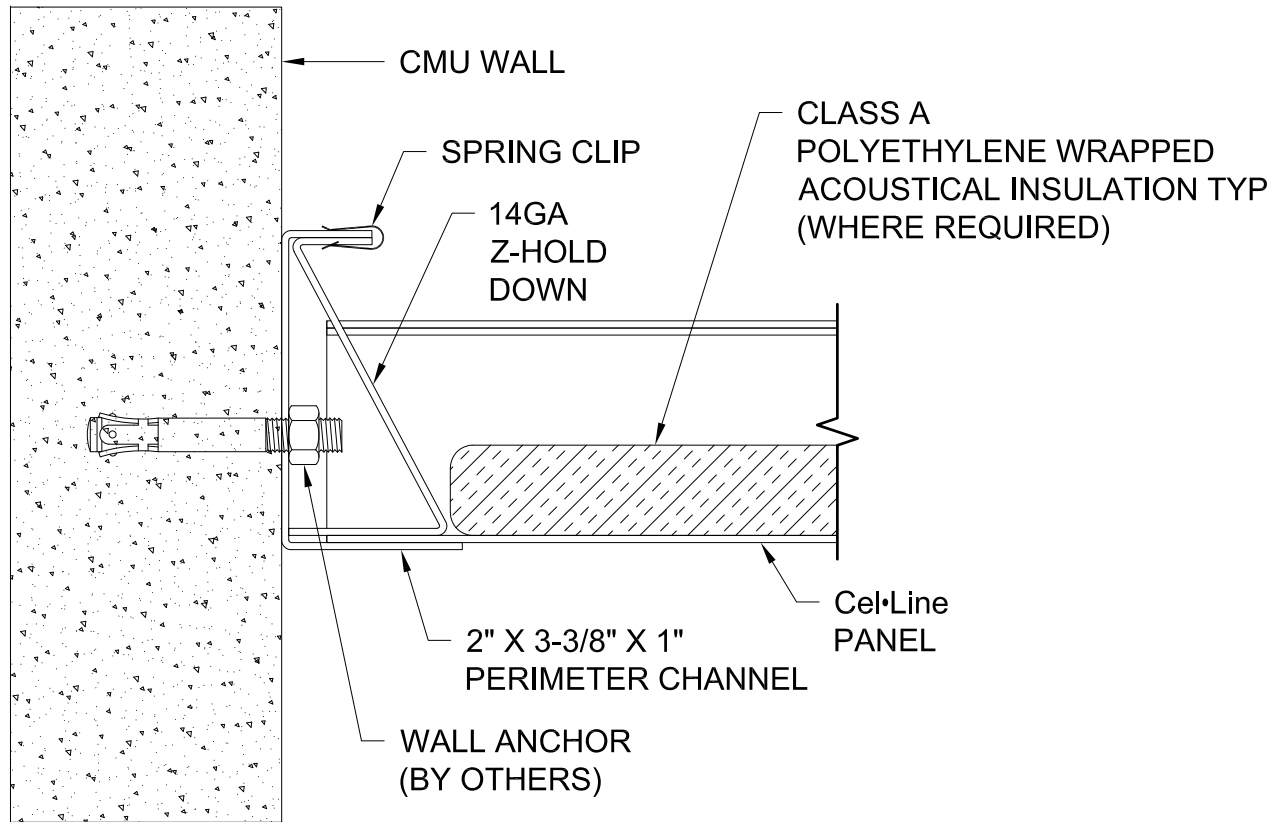
**GORDON**<sup>®</sup>  
ARCHITECTURAL+ENGINEERED SOLUTIONS

5023 Hazel Jones Rd.  
Bossier City, LA 71111  
800.747.8954  
GORDON-INC.COM  
sales@gordon-inc.com

TITLE

**CONCEALED FASTENER Cel·Line<sup>®</sup>**  
ALTERNATE DETAIL AT LAST PANEL  
(WHERE INACCESSIBLE FOR HOLD DOWN PLACEMENT)



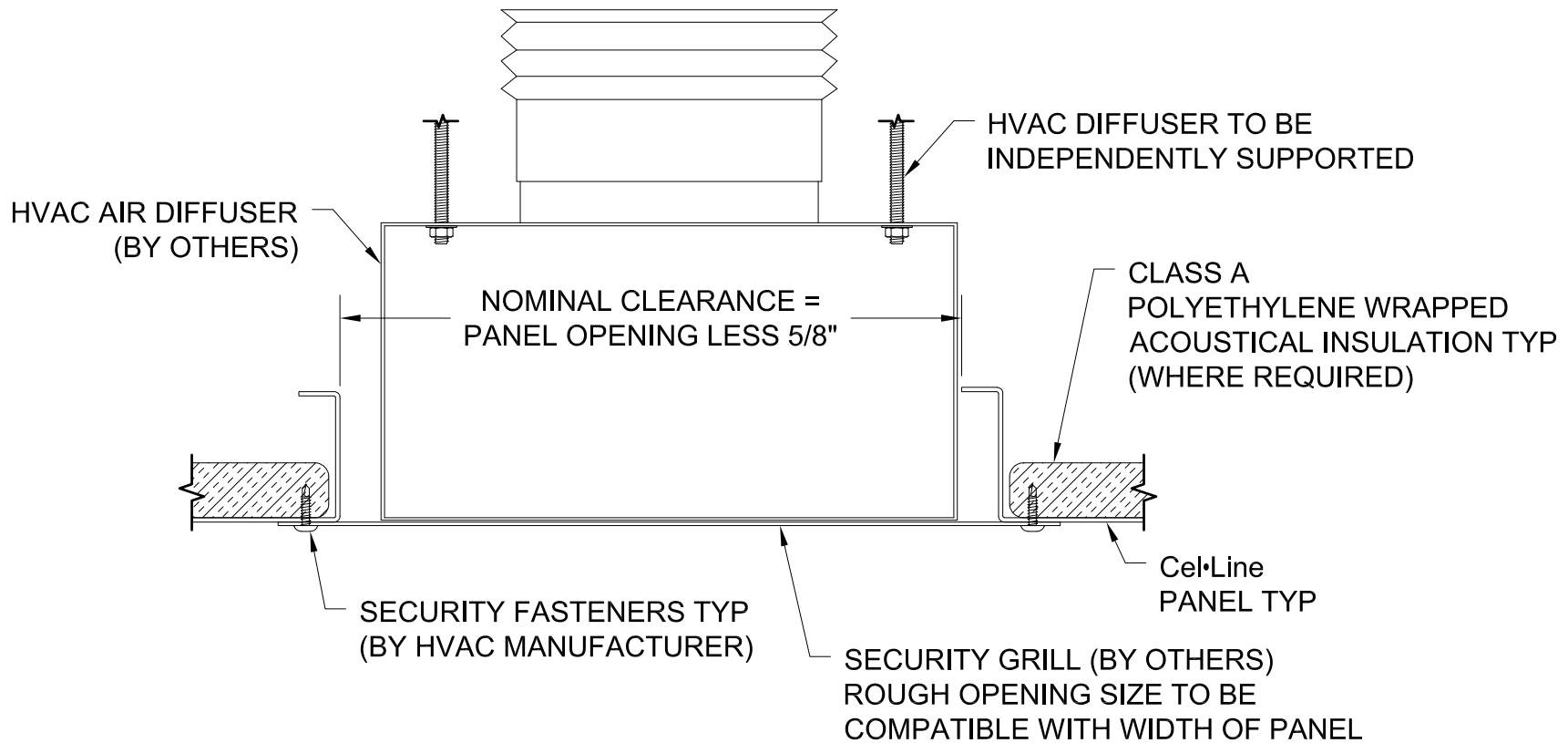


**GORDON**<sup>®</sup>  
 ARCHITECTURAL+ENGINEERED SOLUTIONS

5023 Hazel Jones Rd.  
 Bossier City, LA 71111  
 800.747.8954  
 GORDON-INC.COM  
 sales@gordon-inc.com

TITLE

CONCEALED FASTENER Cel•Line<sup>®</sup>  
 DETAIL AT END OF PANEL

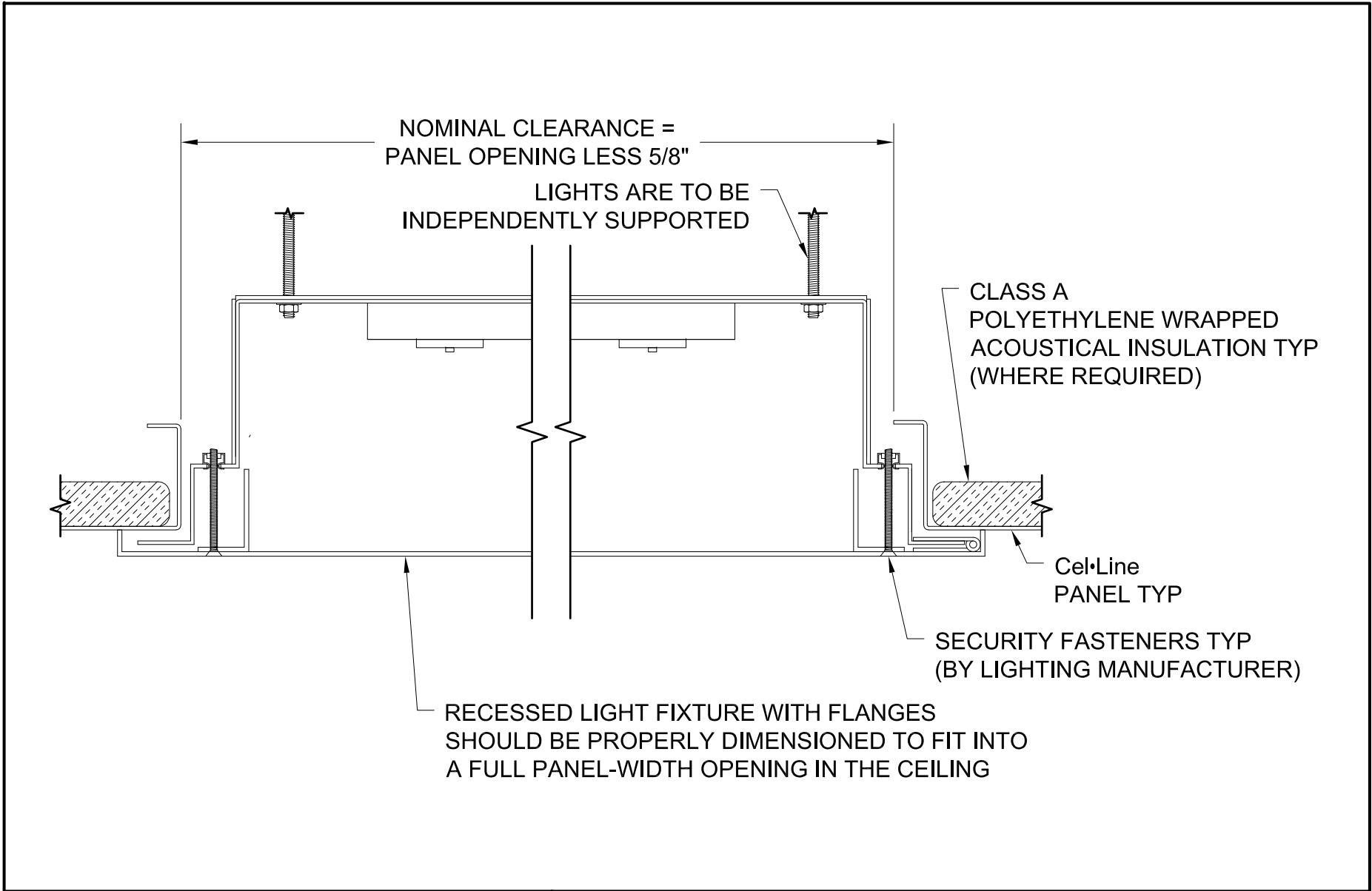


**GORDON**<sup>®</sup>  
ARCHITECTURAL+ENGINEERED SOLUTIONS

5023 Hazel Jones Rd.  
Bossier City, LA 71111  
800.747.8954  
GORDON-INC.COM  
sales@gordon-inc.com

TITLE

CONCEALED FASTENER Cel·Line<sup>®</sup>  
DETAIL AT HVAC DIFFUSER

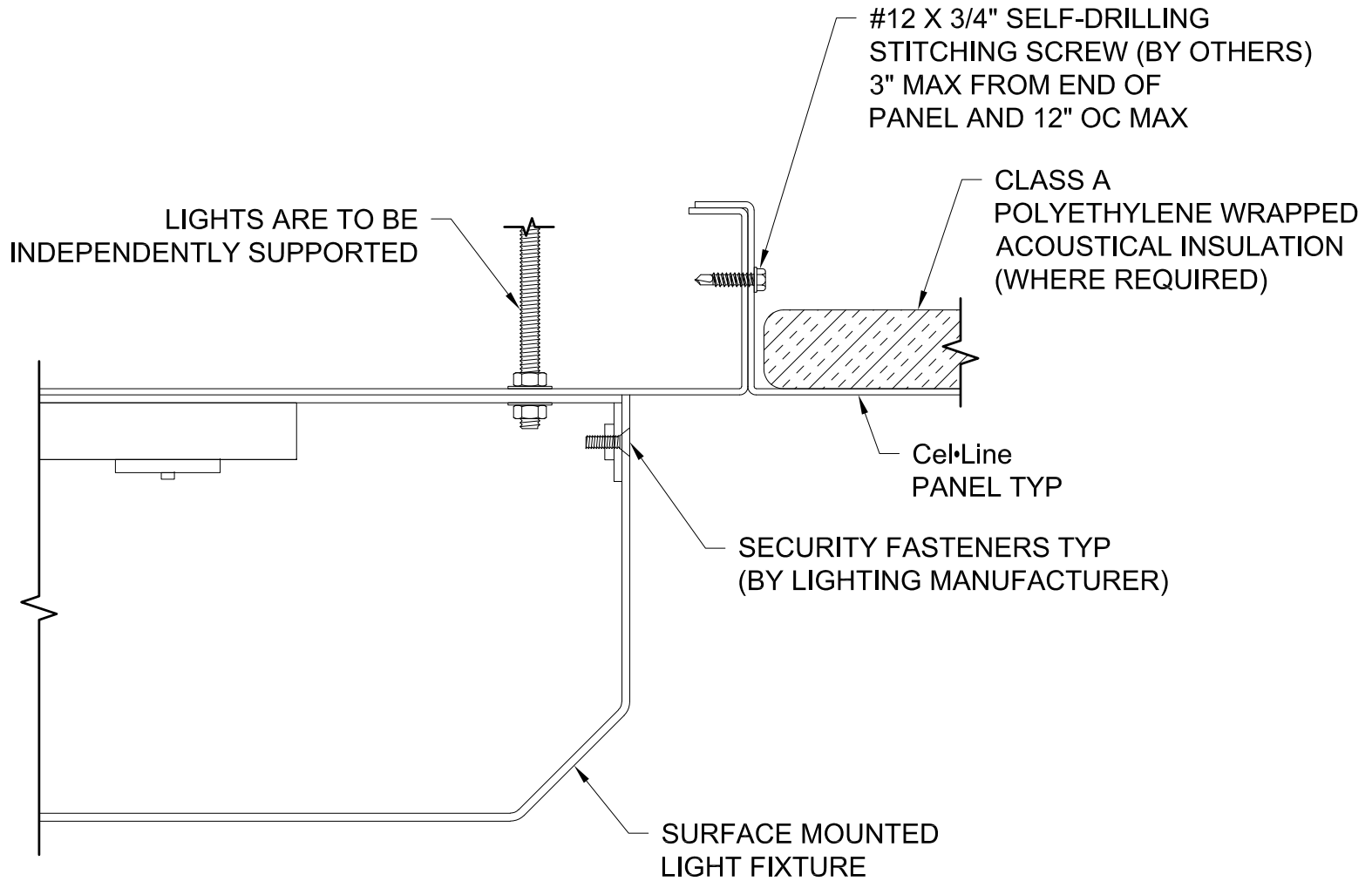


**GORDON**<sup>®</sup>  
ARCHITECTURAL+ENGINEERED SOLUTIONS

5023 Hazel Jones Rd.  
Bossier City, LA 71111  
800.747.8954  
GORDON-INC.COM  
sales@gordon-inc.com

TITLE

CONCEALED FASTENER Cel•Line<sup>®</sup>  
DETAIL AT RECESSED LIGHT FIXTURE

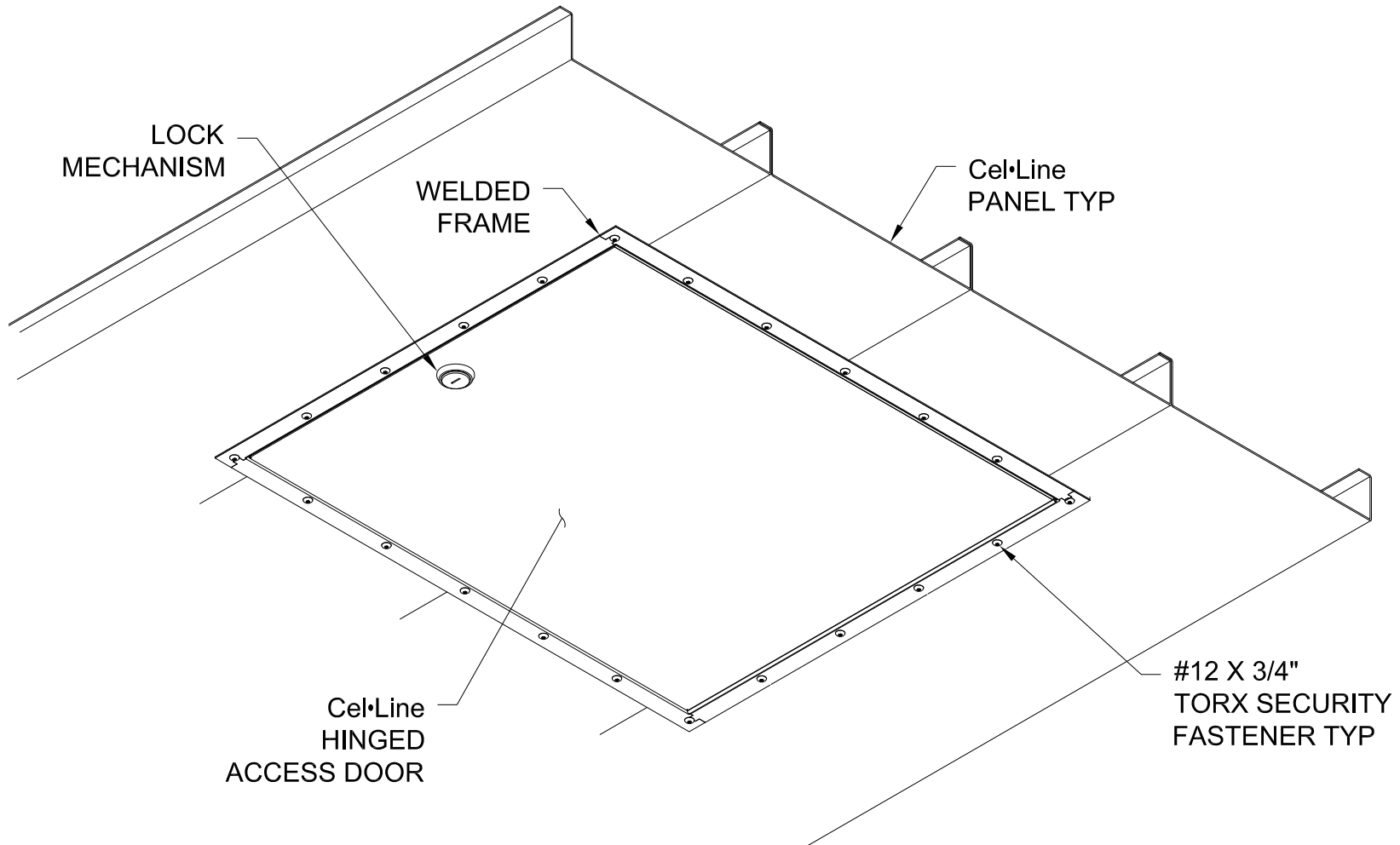


**GORDON**<sup>®</sup>  
ARCHITECTURAL+ENGINEERED SOLUTIONS

5023 Hazel Jones Rd.  
Bossier City, LA 71111  
800.747.8954  
GORDON-INC.COM  
sales@gordon-inc.com

TITLE

**CONCEALED FASTENER Cel-Line<sup>®</sup>**  
DETAIL AT SURFACE MOUNTED LIGHT FIXTURE



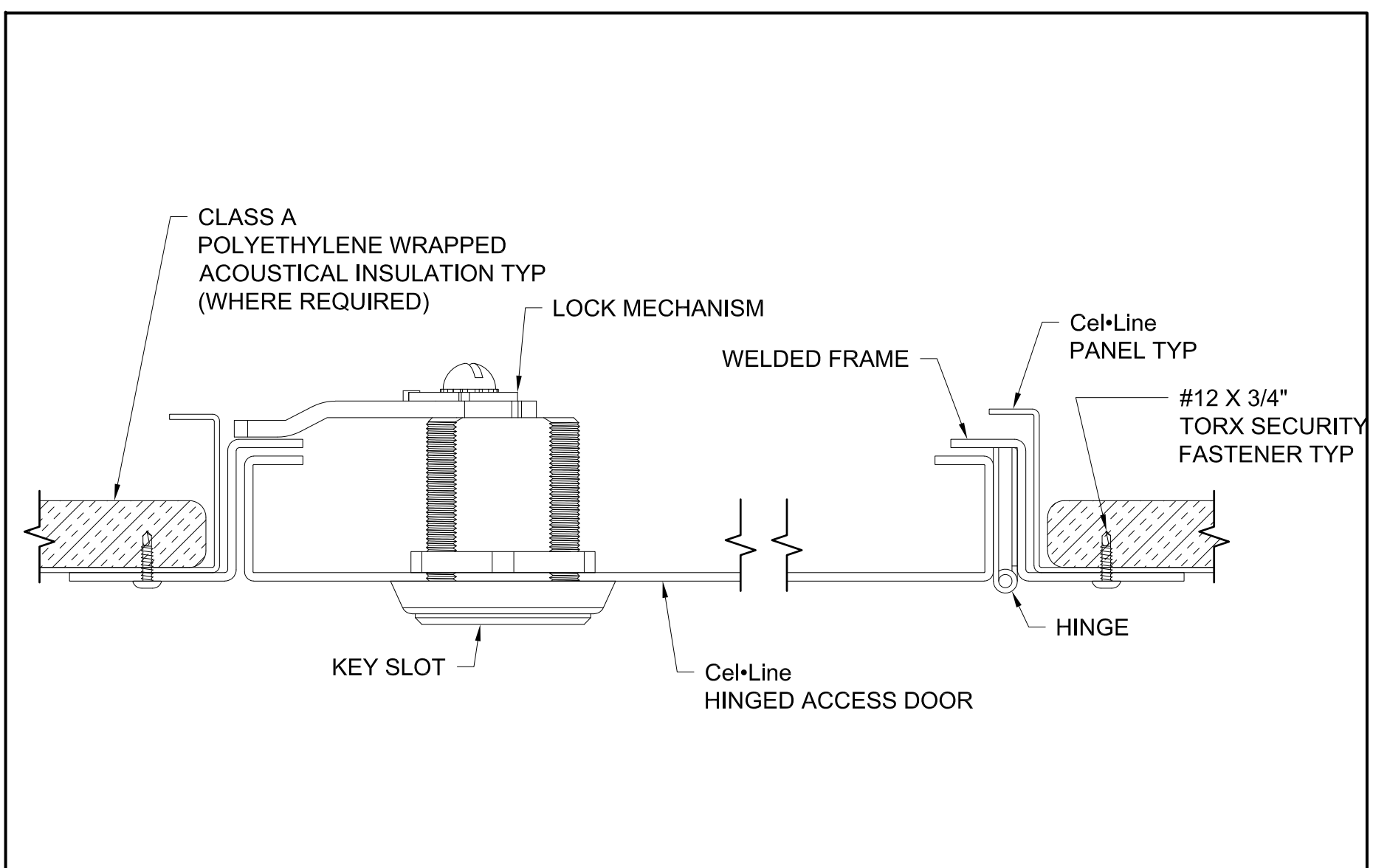
TORX® TAMPER RESISTANT SECURITY SCREWS IS A REGISTERED TRADEMARK OF CAMCAR

**GORDON**<sup>®</sup>  
ARCHITECTURAL+ENGINEERED SOLUTIONS

5023 Hazel Jones Rd.  
Bossier City, LA 71111  
800.747.8954  
GORDON-INC.COM  
sales@gordon-inc.com

TITLE

**CONCEALED FASTENER Cel-Line<sup>®</sup>**  
**ISOMETRIC DETAIL AT ACCESS DOOR**  
**(FACE VIEW FROM BELOW)**



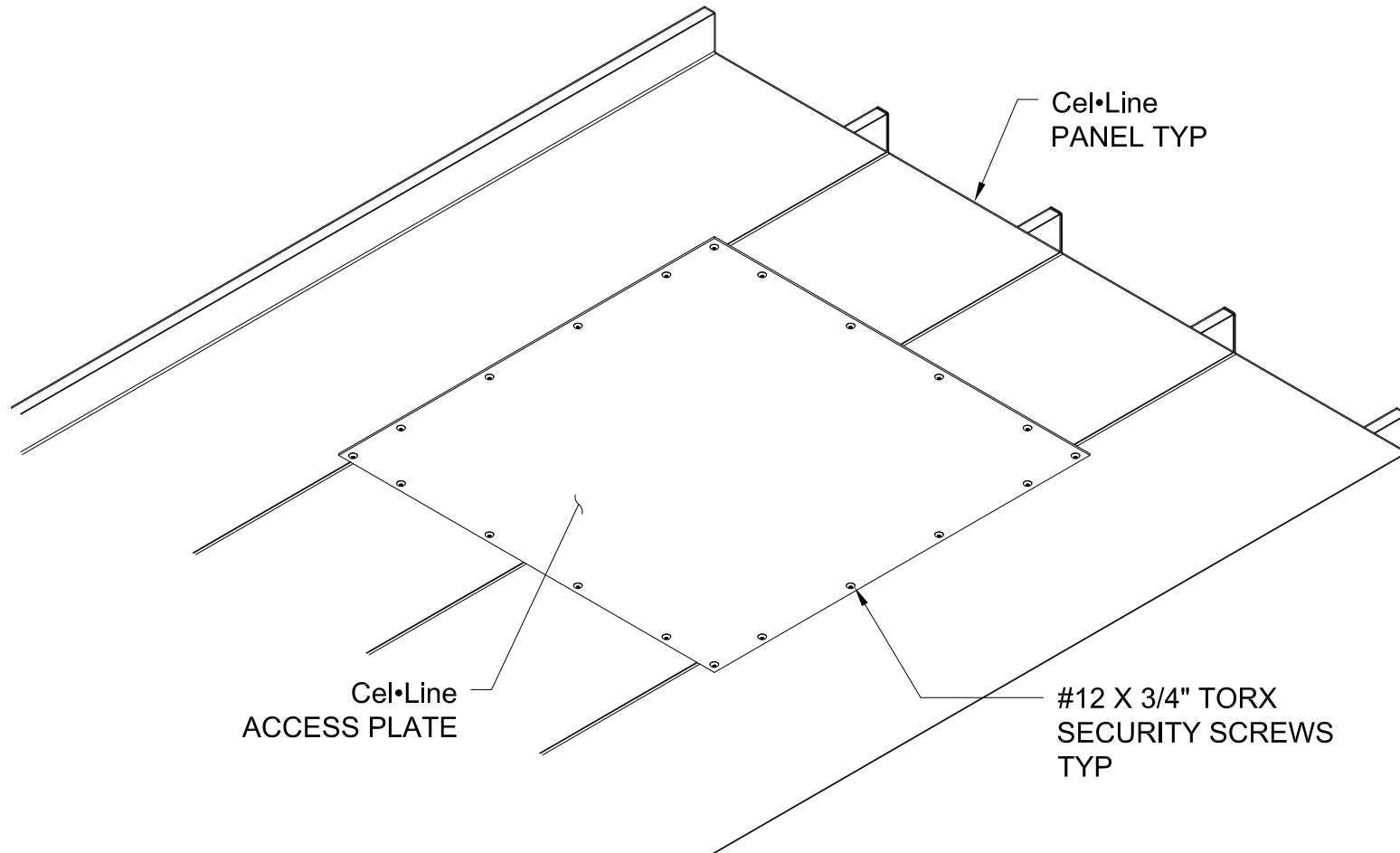
TORX® TAMPER RESISTANT SECURITY SCREWS IS A REGISTERED TRADEMARK OF CAMCAR

**GORDON**<sup>®</sup>  
ARCHITECTURAL+ENGINEERED SOLUTIONS

5023 Hazel Jones Rd.  
Bossier City, LA 71111  
800.747.8954  
GORDON-INC.COM  
sales@gordon-inc.com

TITLE

**CONCEALED FASTENER Cel-Line<sup>®</sup>**  
**SECTION AT ACCESS DOOR**



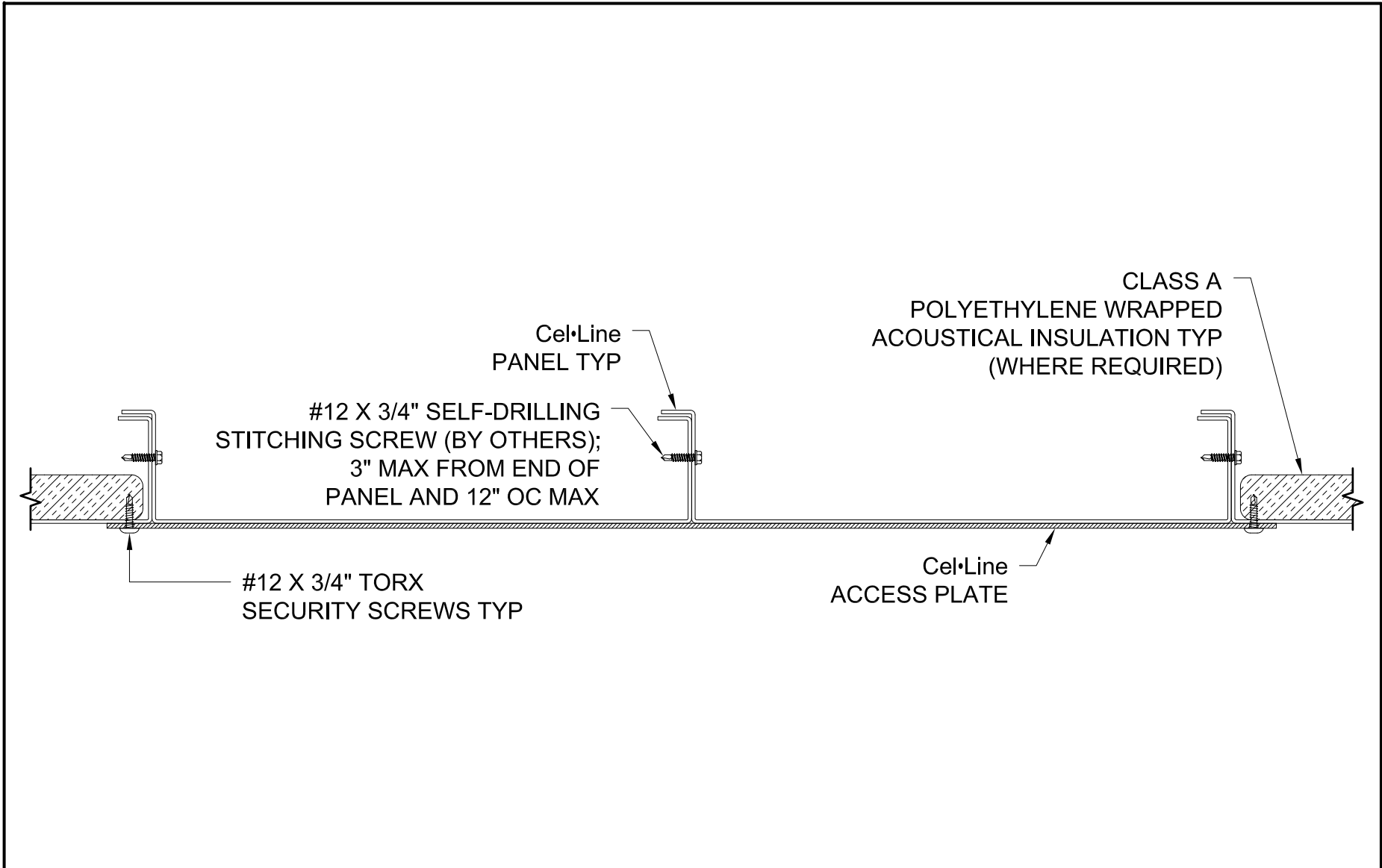
TORX® TAMPER RESISTANT SECURITY SCREWS IS A REGISTERED TRADEMARK OF CAMCAR

**GORDON**<sup>®</sup>  
ARCHITECTURAL+ENGINEERED SOLUTIONS

5023 Hazel Jones Rd.  
Bossier City, LA 71111  
800.747.8954  
GORDON-INC.COM  
sales@gordon-inc.com

TITLE

**CONCEALED FASTENER Cel-Line<sup>®</sup>**  
**ISOMETRIC DETAIL AT ACCESS PLATE**  
(FACE VIEW FROM BELOW)



TORX® TAMPER RESISTANT SECURITY SCREWS IS A REGISTERED TRADEMARK OF CAMCAR

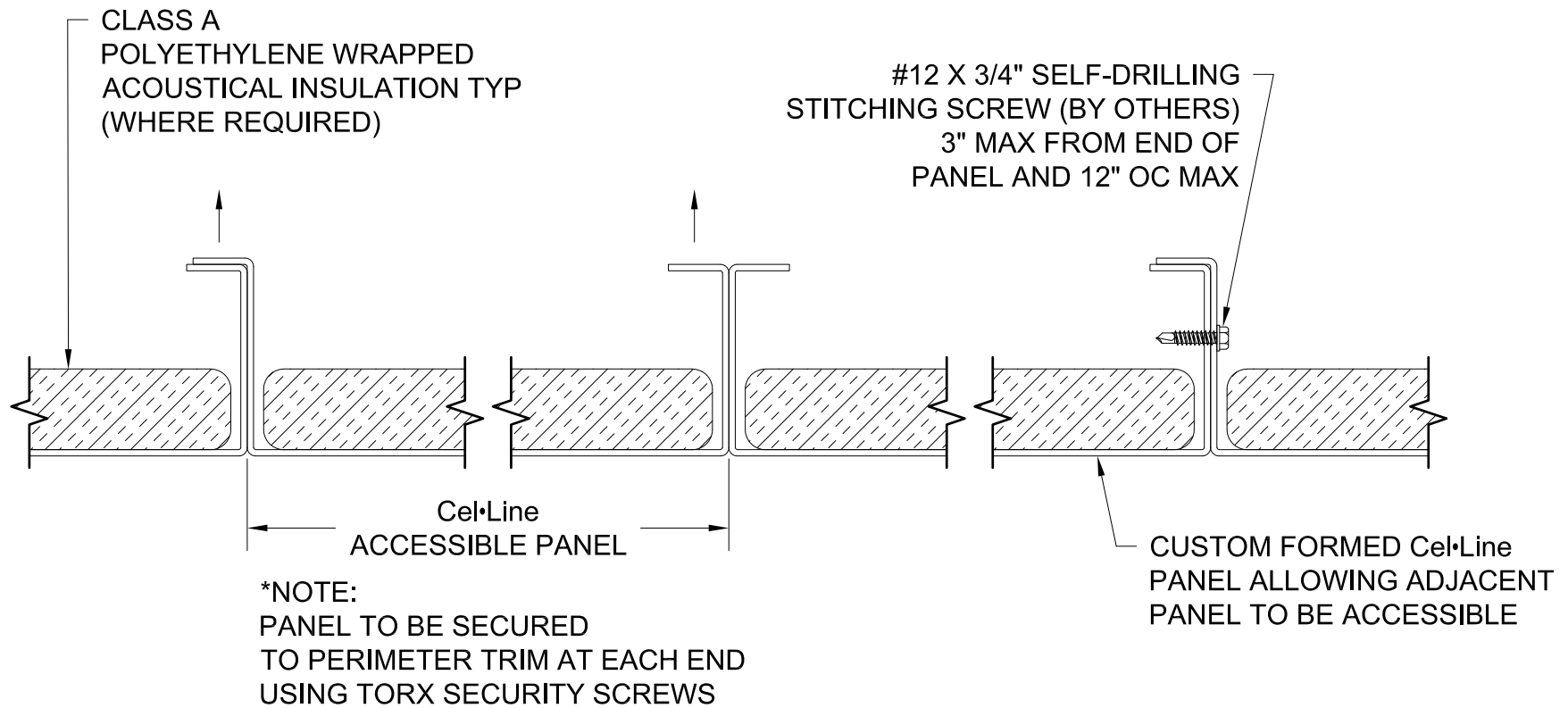
**GORDON**<sup>®</sup>  
ARCHITECTURAL+ENGINEERED SOLUTIONS

5023 Hazel Jones Rd.  
Bossier City, LA 71111  
800.747.8954  
GORDON-INC.COM  
sales@gordon-inc.com

TITLE

**CONCEALED FASTENER Cel·Line<sup>®</sup>**  
**SECTION AT ACCESS PLATE**





TORX® TAMPER RESISTANT SECURITY SCREWS IS A REGISTERED TRADEMARK OF CAMCAR

**GORDON**<sup>®</sup>  
ARCHITECTURAL+ENGINEERED SOLUTIONS

5023 Hazel Jones Rd.  
Bossier City, LA 71111  
800.747.8954  
GORDON-INC.COM  
sales@gordon-inc.com

TITLE

CONCEALED FASTENER Cel-Line<sup>®</sup>  
SECTION AT ACCESS PANEL