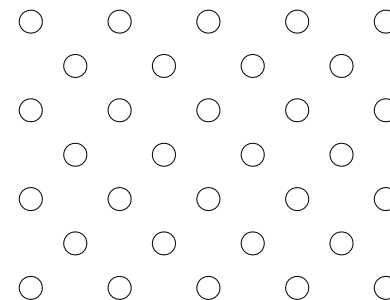
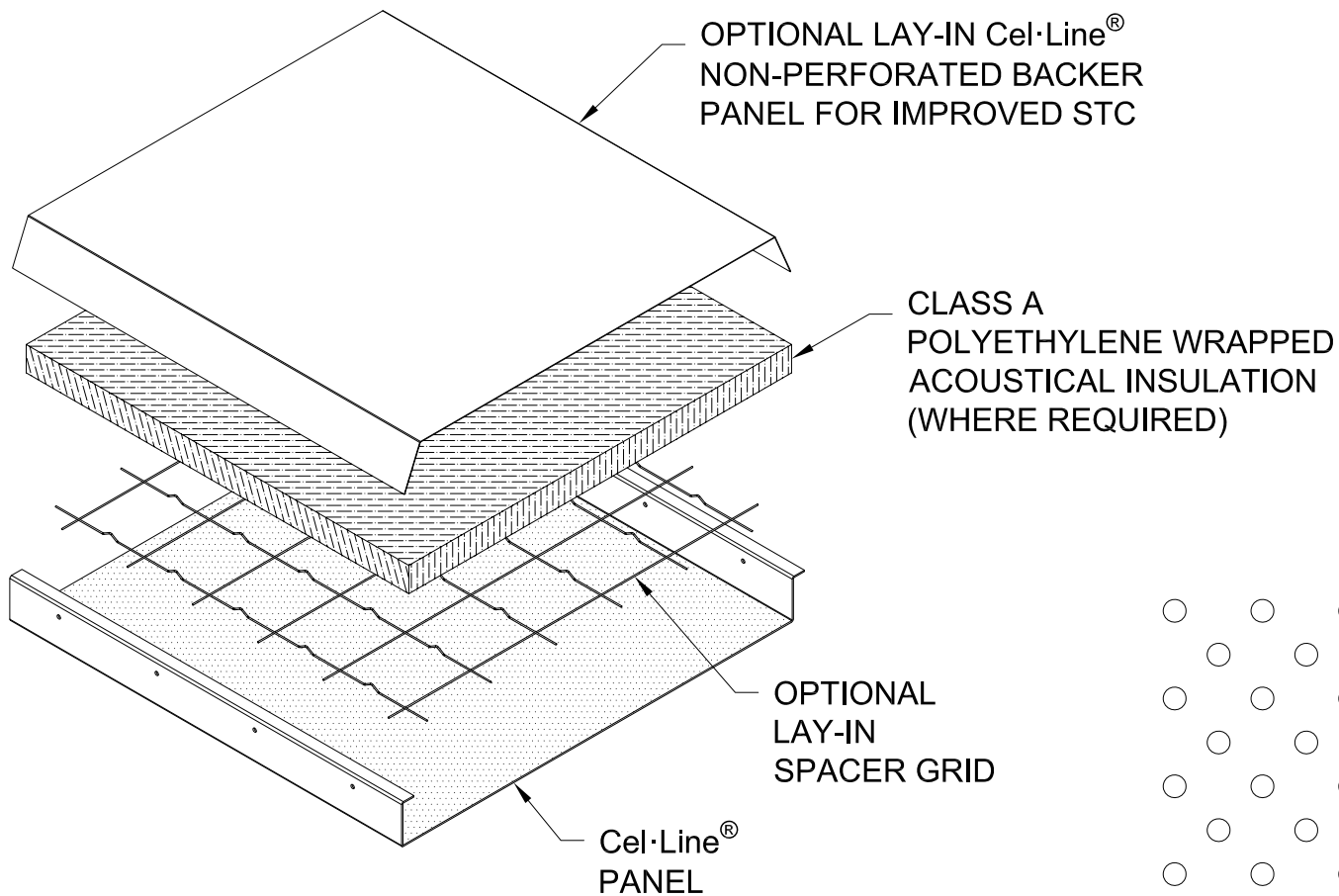


**GORDON**®  
ARCHITECTURAL+ENGINEERED SOLUTIONS

5023 Hazel Jones Rd.  
Bossier City, LA 71111  
800.747.8954  
GORDON-INC.COM  
sales@gordon-inc.com

**SECURITY CEILINGS  
TAMPER-PROOF - CEL-LINE - 75% CONCEALED  
ISOMETRIC ASSEMBLY**

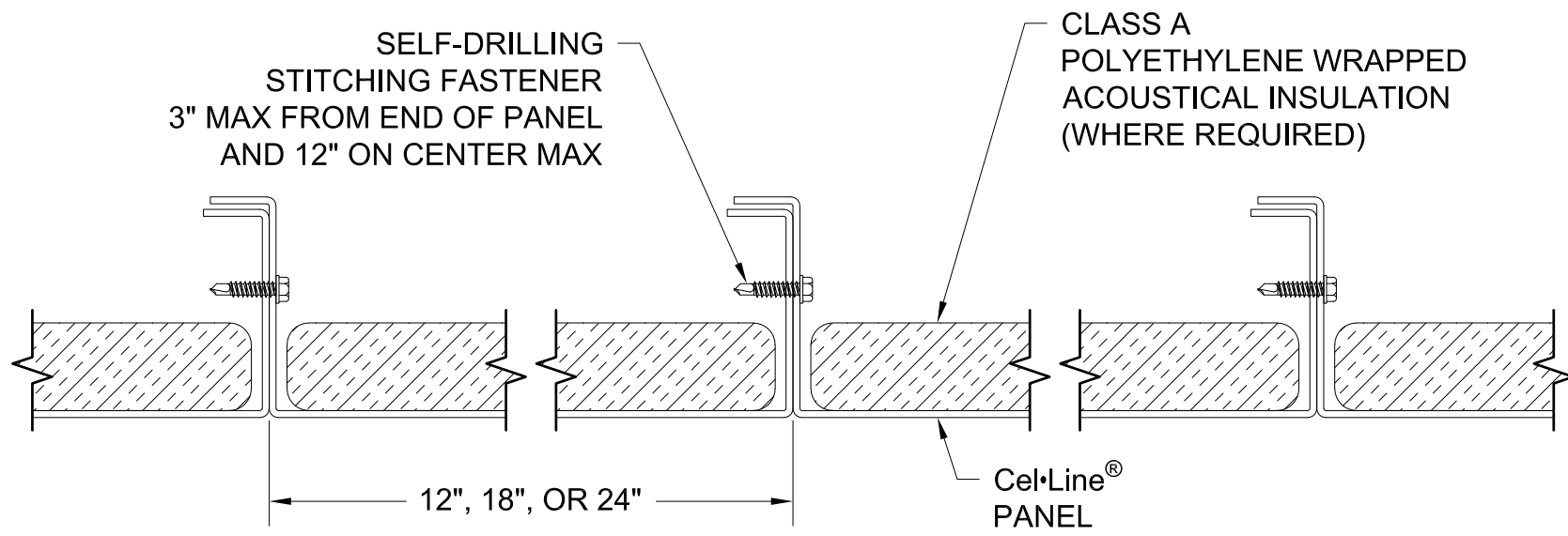


R18-1132DG11 PANEL PERFORATION DETAIL  
1/8" HOLES ON 11/32" 45° DIAGONAL CENTERS  
11% OPEN AREA

**GORDON**®  
 ARCHITECTURAL+ENGINEERED SOLUTIONS

5023 Hazel Jones Rd.  
 Bossier City, LA 71111  
 800.747.8954  
 GORDON-INC.COM  
 sales@gordon-inc.com

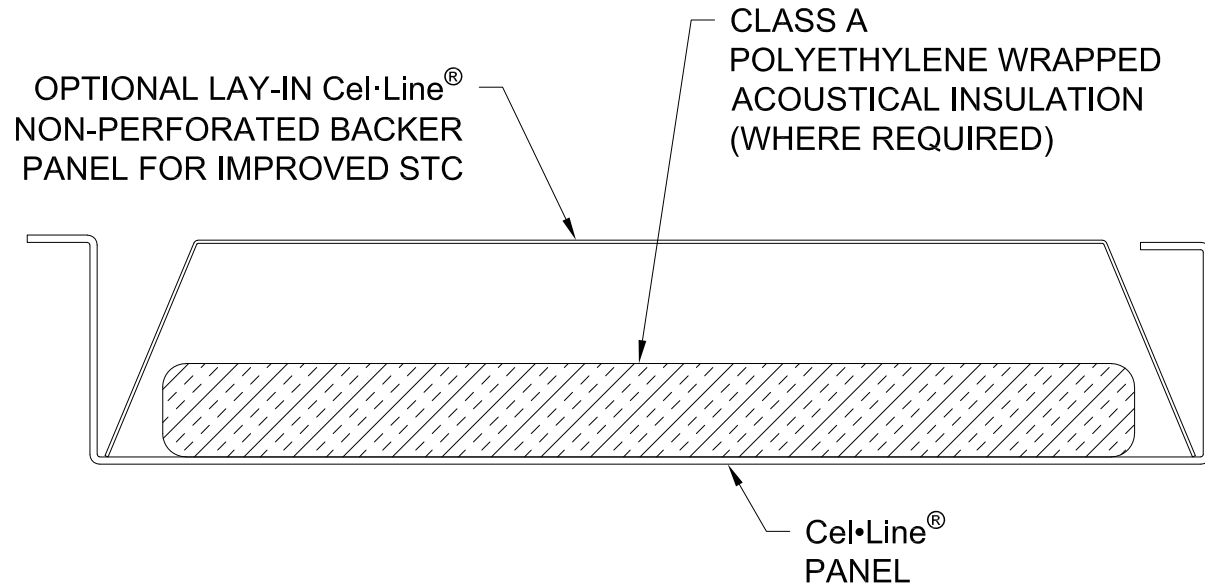
**SECURITY CEILINGS**  
**TAMPER-PROOF - CEL-LINE - 75% CONCEALED**  
**PANEL ASSEMBLY DETAILS**



**GORDON**®  
ARCHITECTURAL+ENGINEERED SOLUTIONS

5023 Hazel Jones Rd.  
Bossier City, LA 71111  
800.747.8954  
GORDON-INC.COM  
sales@gordon-inc.com

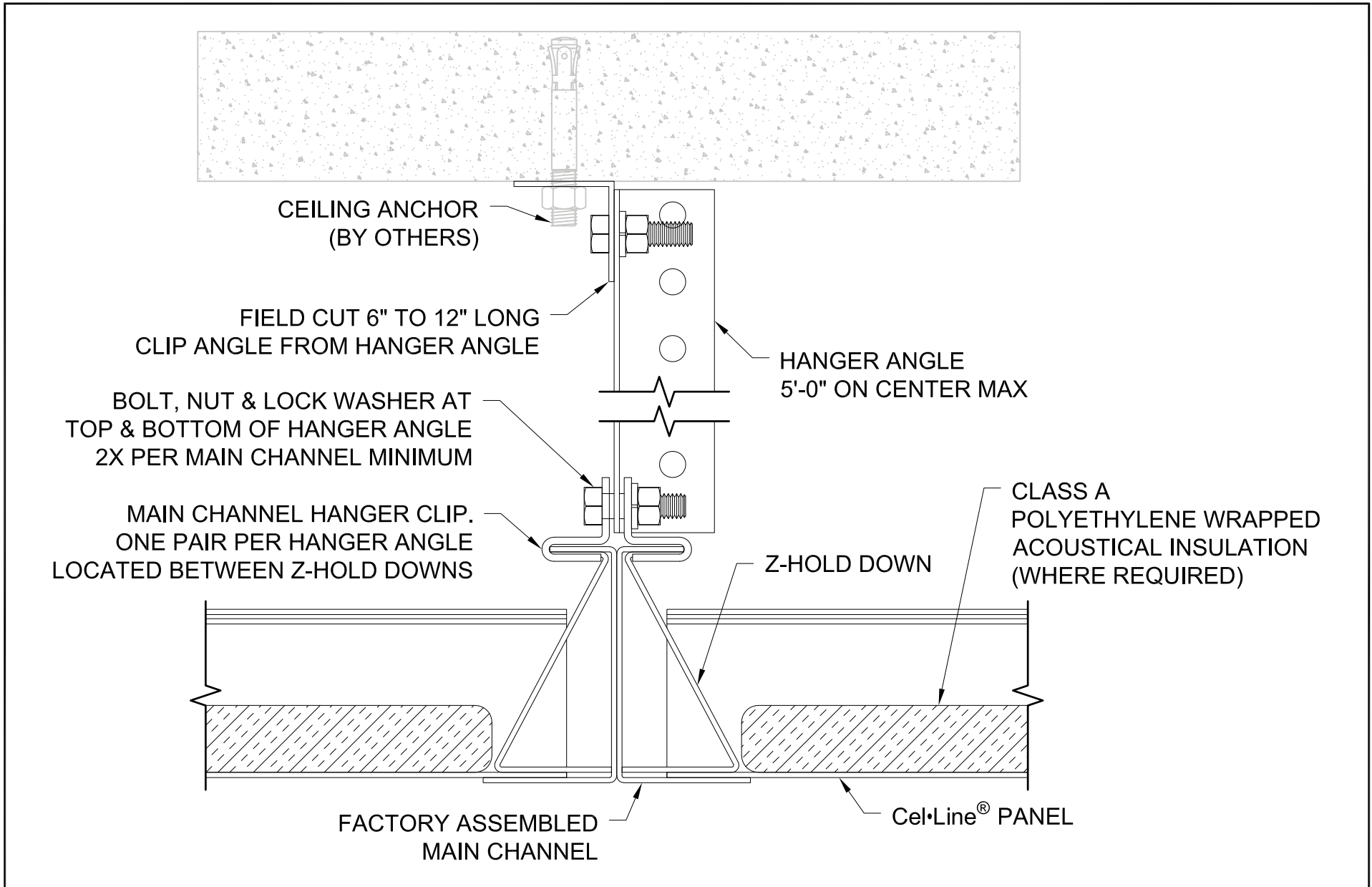
SECURITY CEILINGS  
TAMPER-PROOF - CEL-LINE - 75% CONCEALED  
TYPICAL PANEL SECTION



**GORDON**®  
ARCHITECTURAL+ENGINEERED SOLUTIONS

5023 Hazel Jones Rd.  
Bossier City, LA 71111  
800.747.8954  
GORDON-INC.COM  
sales@gordon-inc.com

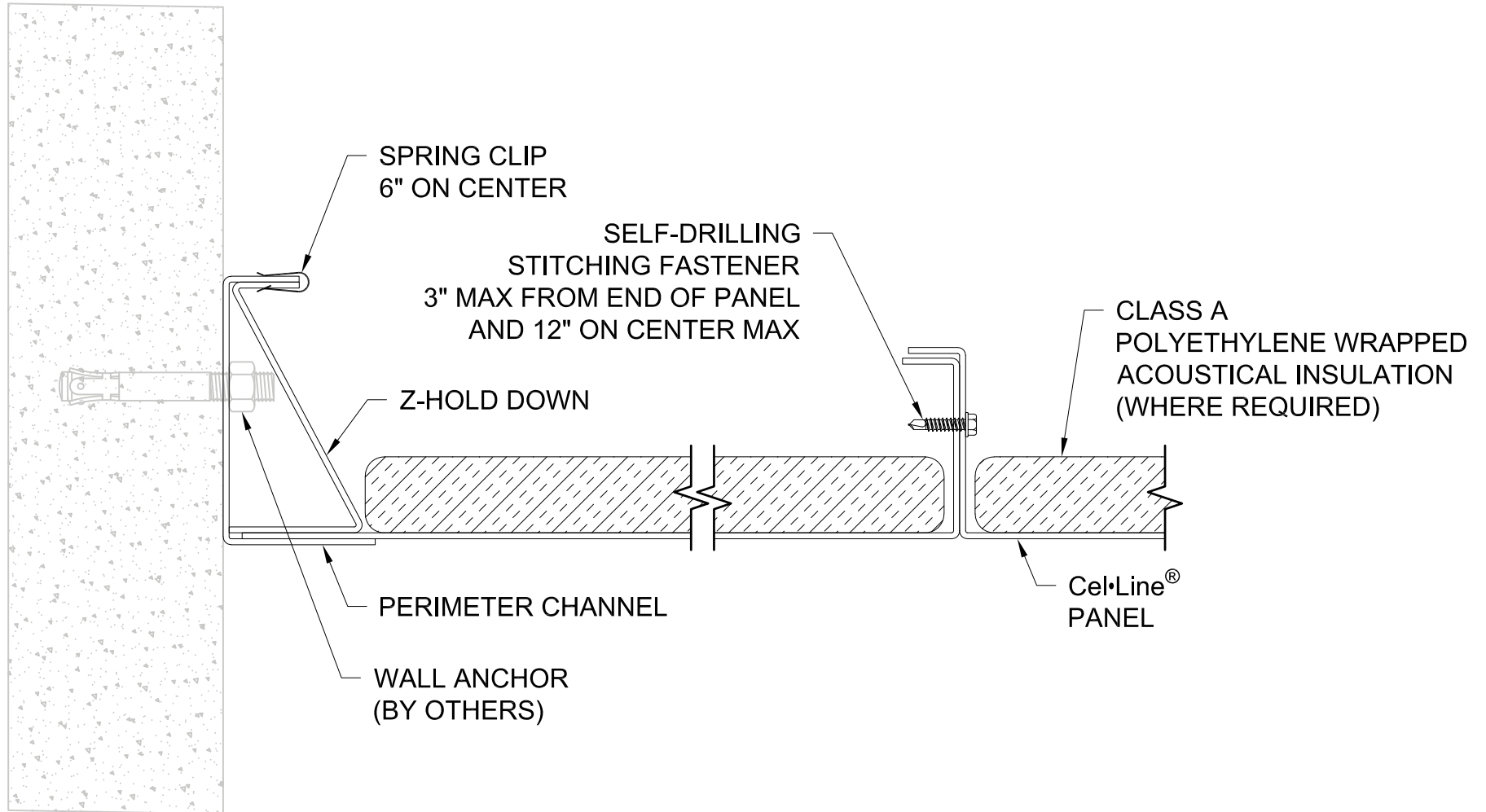
SECURITY CEILINGS  
TAMPER-PROOF - CEL-LINE - 75% CONCEALED  
BACKER PANEL SECTION



**GORDON**® ARCHITECTURAL+ENGINEERED SOLUTIONS

5023 Hazel Jones Rd.  
Bossier City, LA 71111  
800.747.8954  
GORDON-INC.COM  
sales@gordon-inc.com

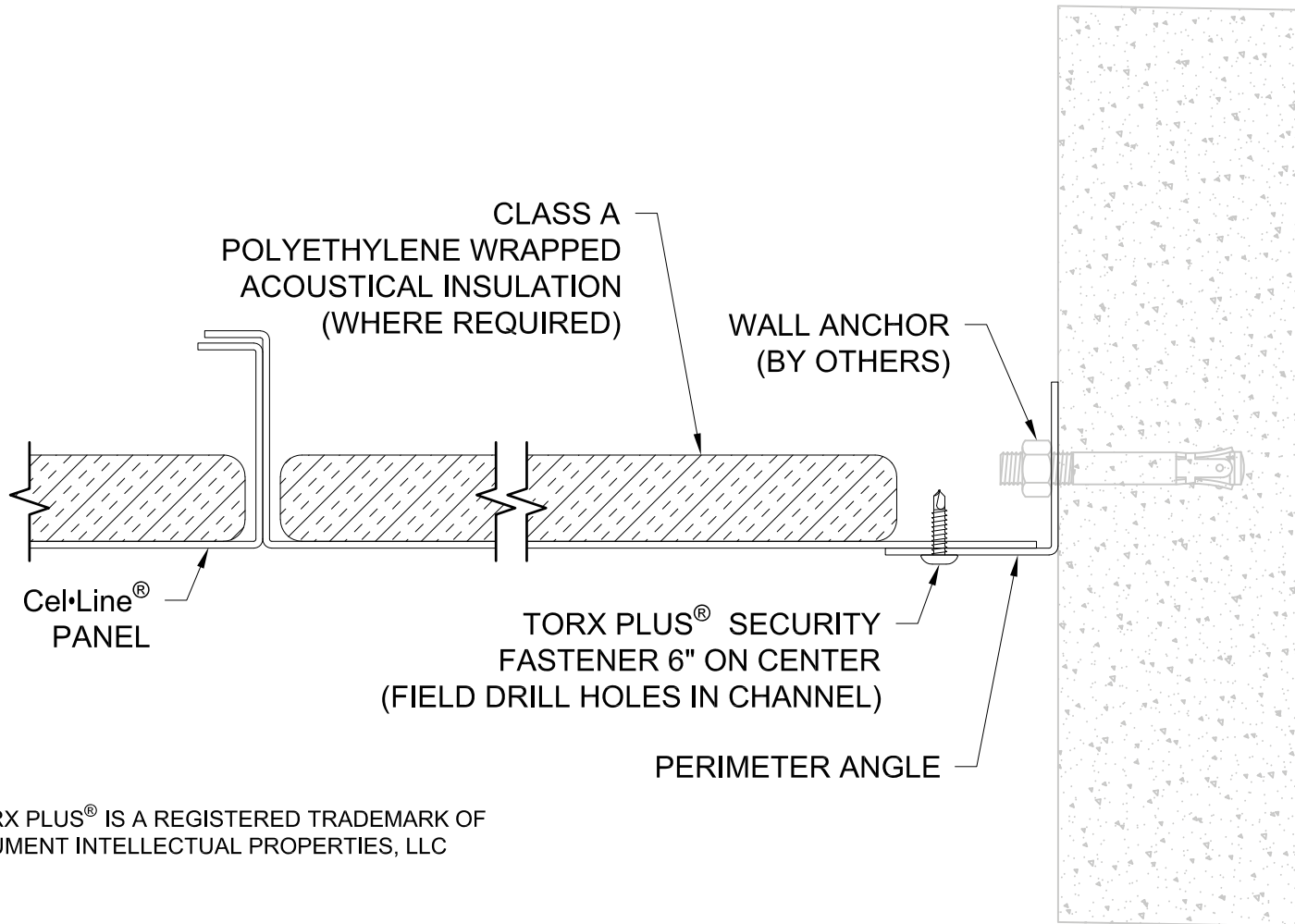
**SECURITY CEILINGS  
TAMPER-PROOF - CEL-LINE - 75% CONCEALED  
MAIN CHANNEL SECTION**



**GORDON**®  
 ARCHITECTURAL+ENGINEERED SOLUTIONS

5023 Hazel Jones Rd.  
 Bossier City, LA 71111  
 800.747.8954  
 GORDON-INC.COM  
 sales@gordon-inc.com

SECURITY CEILINGS  
 TAMPER-PROOF - CEL-LINE - 75% CONCEALED  
 START PANEL SECTION

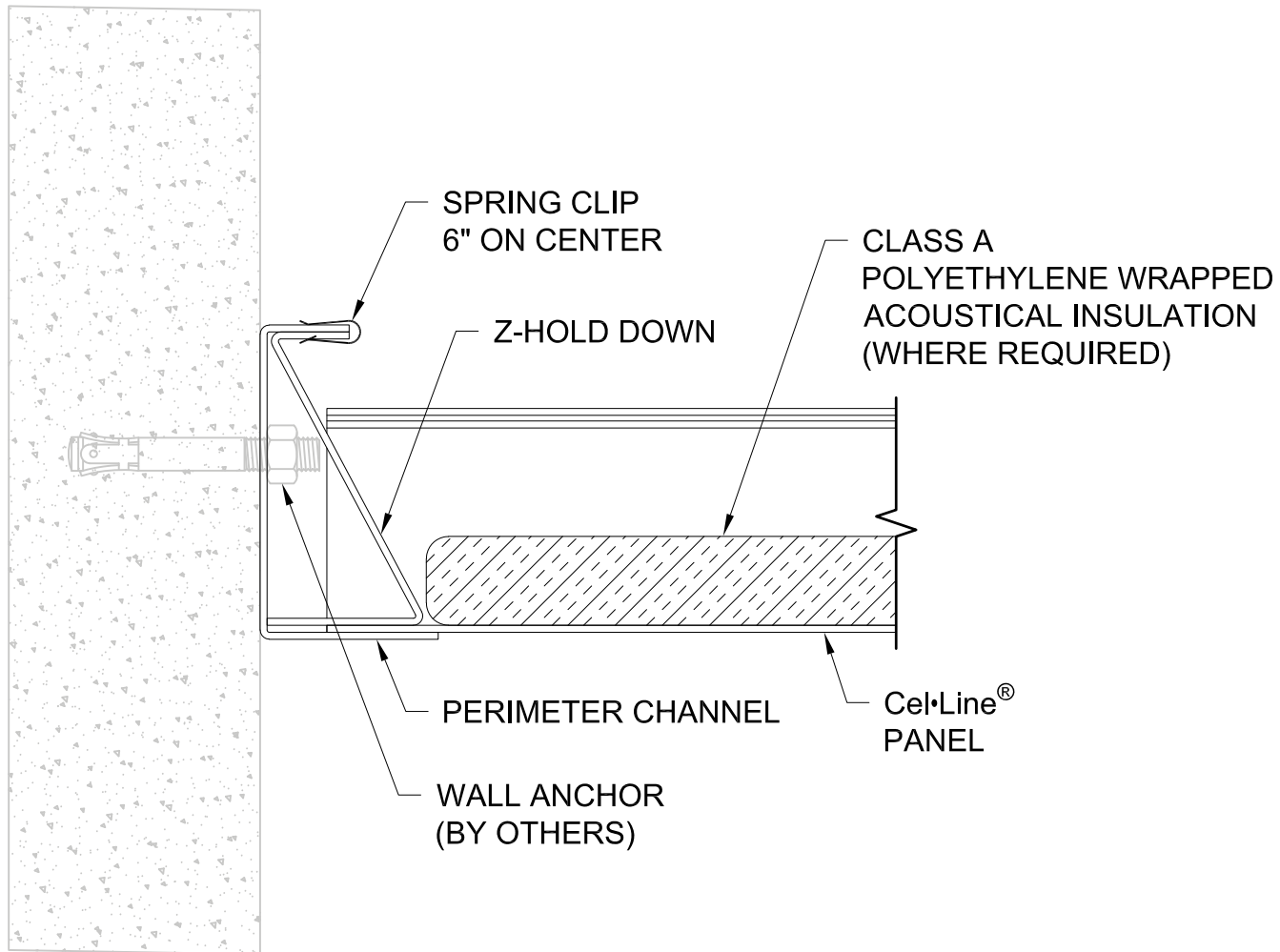


TORX PLUS® IS A REGISTERED TRADEMARK OF  
ACUMENT INTELLECTUAL PROPERTIES, LLC

**GORDON**®  
ARCHITECTURAL+ENGINEERED SOLUTIONS

5023 Hazel Jones Rd.  
Bossier City, LA 71111  
800.747.8954  
GORDON-INC.COM  
sales@gordon-inc.com

SECURITY CEILINGS  
TAMPER-PROOF - CEL-LINE - 75% CONCEALED  
LAST PANEL SECTION

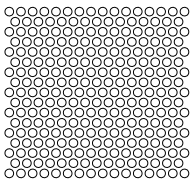
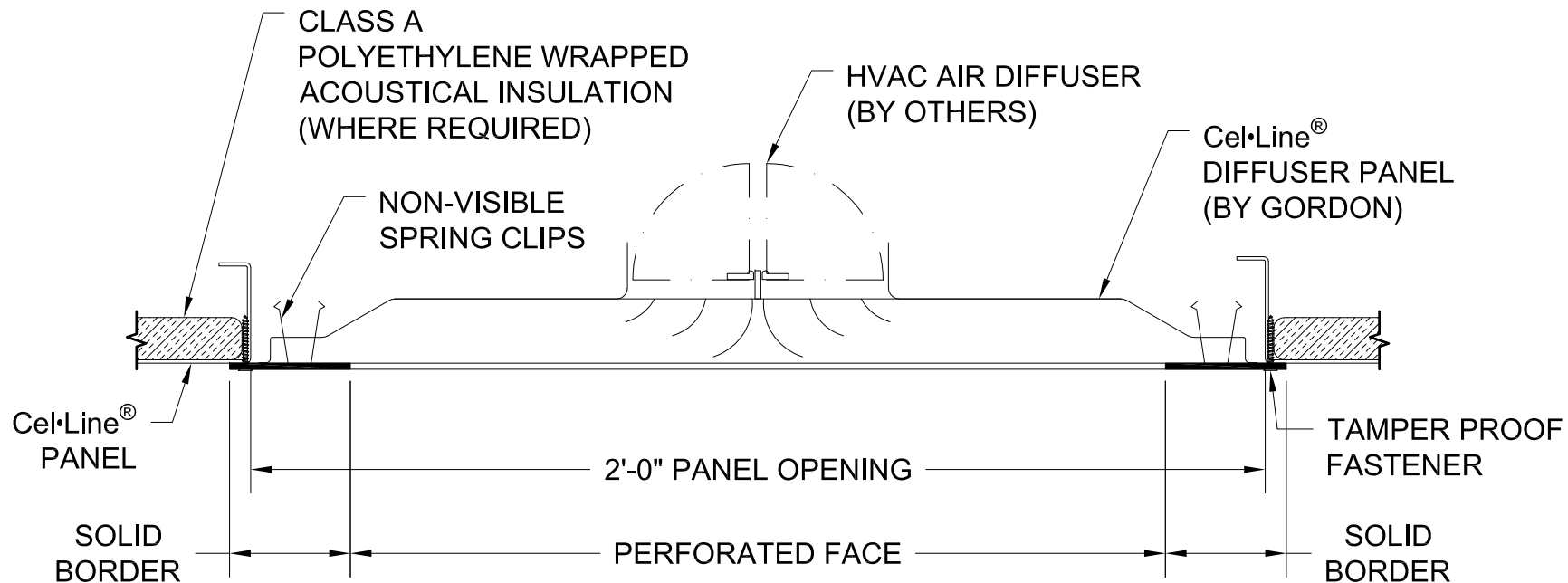


**GORDON**®  
 ARCHITECTURAL+ENGINEERED SOLUTIONS

5023 Hazel Jones Rd.  
 Bossier City, LA 71111  
 800.747.8954  
 GORDON-INC.COM  
 sales@gordon-inc.com

SECURITY CEILINGS  
 TAMPER-PROOF - CEL-LINE - 75% CONCEALED  
 END OF PANEL SECTION





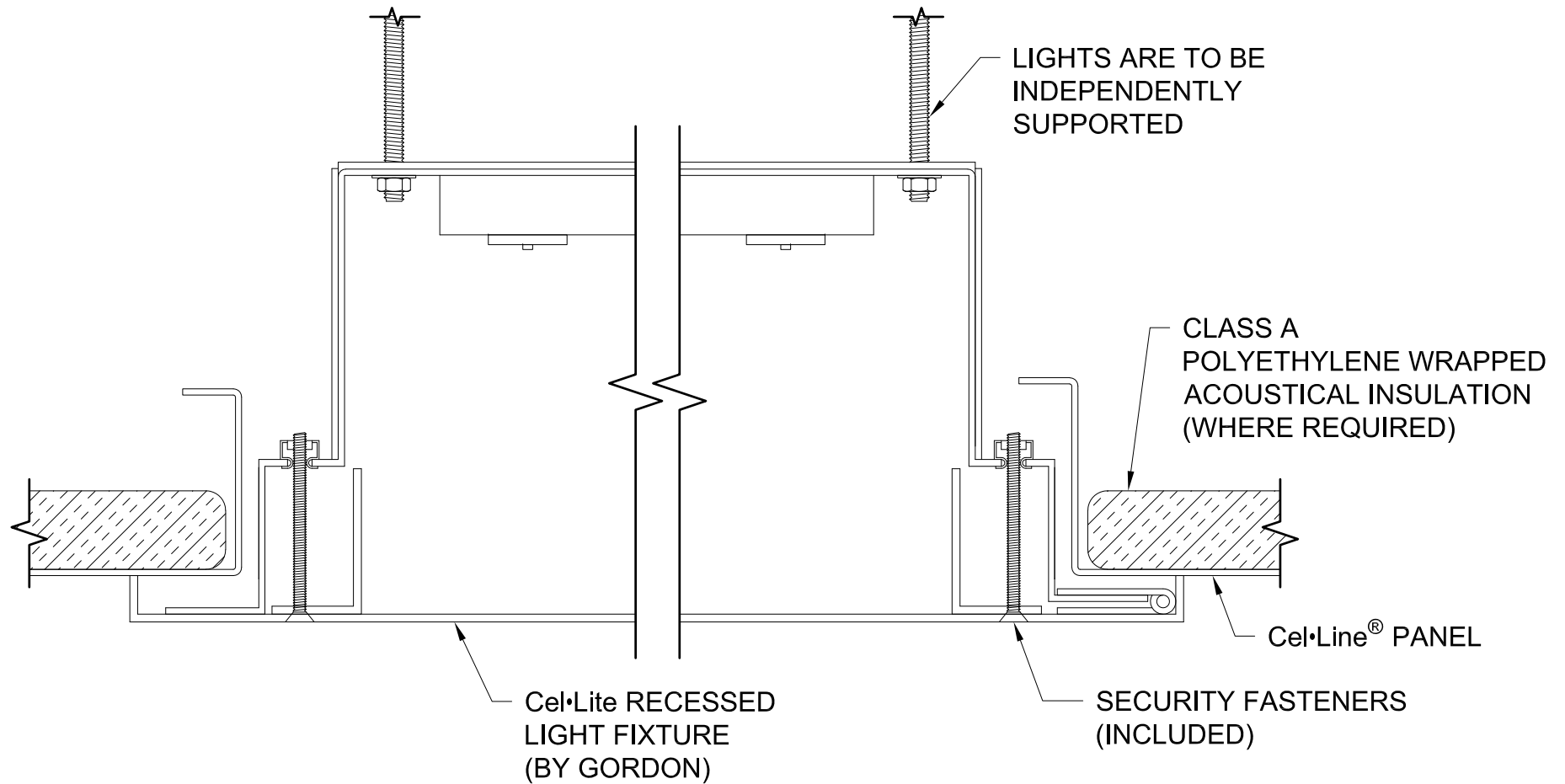
DIFFUSER PANEL PERFORATION PATTERN  
3/16" HOLES ON 1/4" STAGGERED CENTERS  
50% OPEN AREA

OTHER PERFORATION PATTERNS ARE AVAILABLE  
 (CONTACT FACTORY)

**GORDON**®  
 ARCHITECTURAL+ENGINEERED SOLUTIONS

5023 Hazel Jones Rd.  
 Bossier City, LA 71111  
 800.747.8954  
 GORDON-INC.COM  
 sales@gordon-inc.com

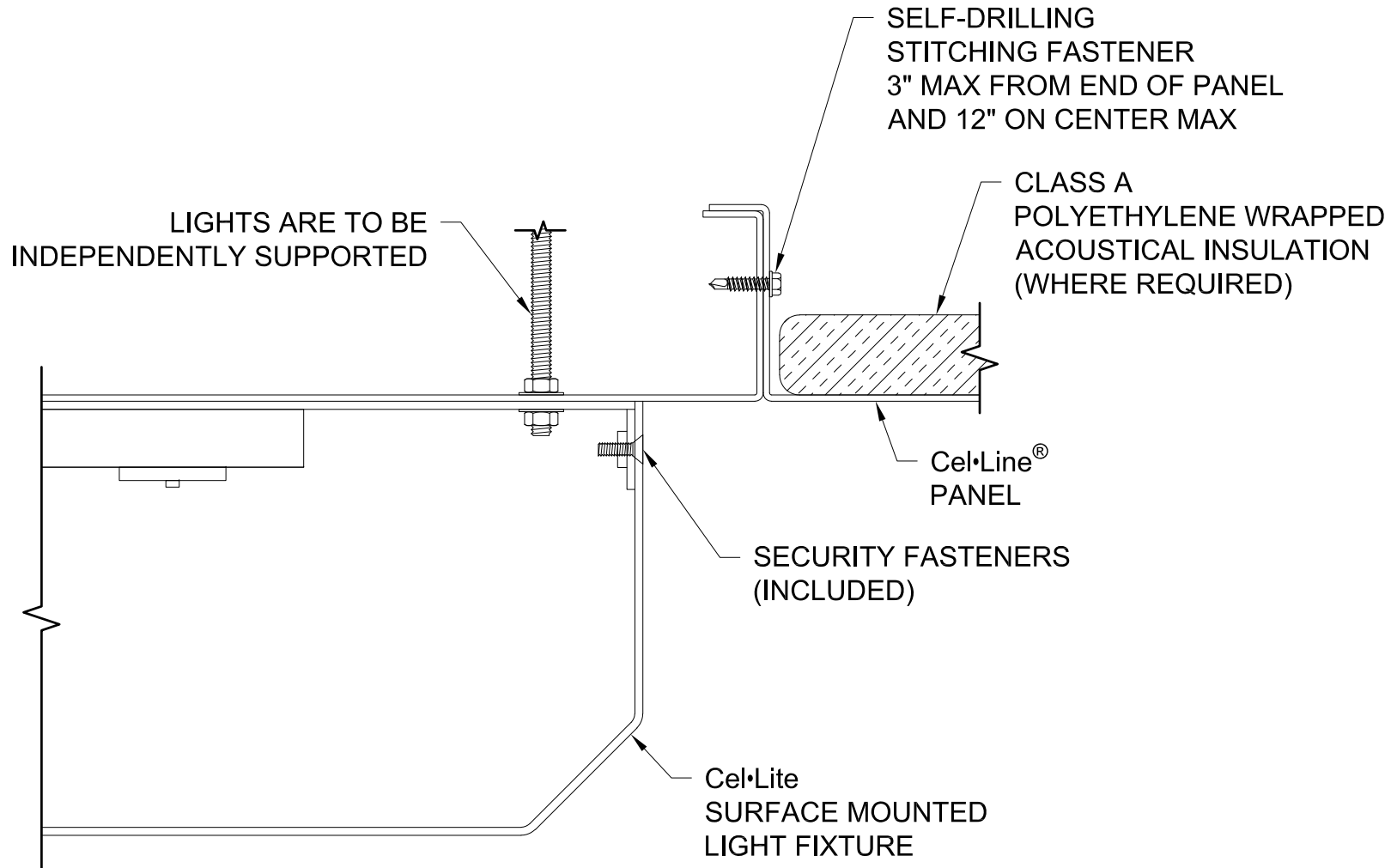
**SECURITY CEILINGS**  
**TAMPER-PROOF - CEL-LINE - 75% CONCEALED**  
**HVAC DIFFUSER SECTION**

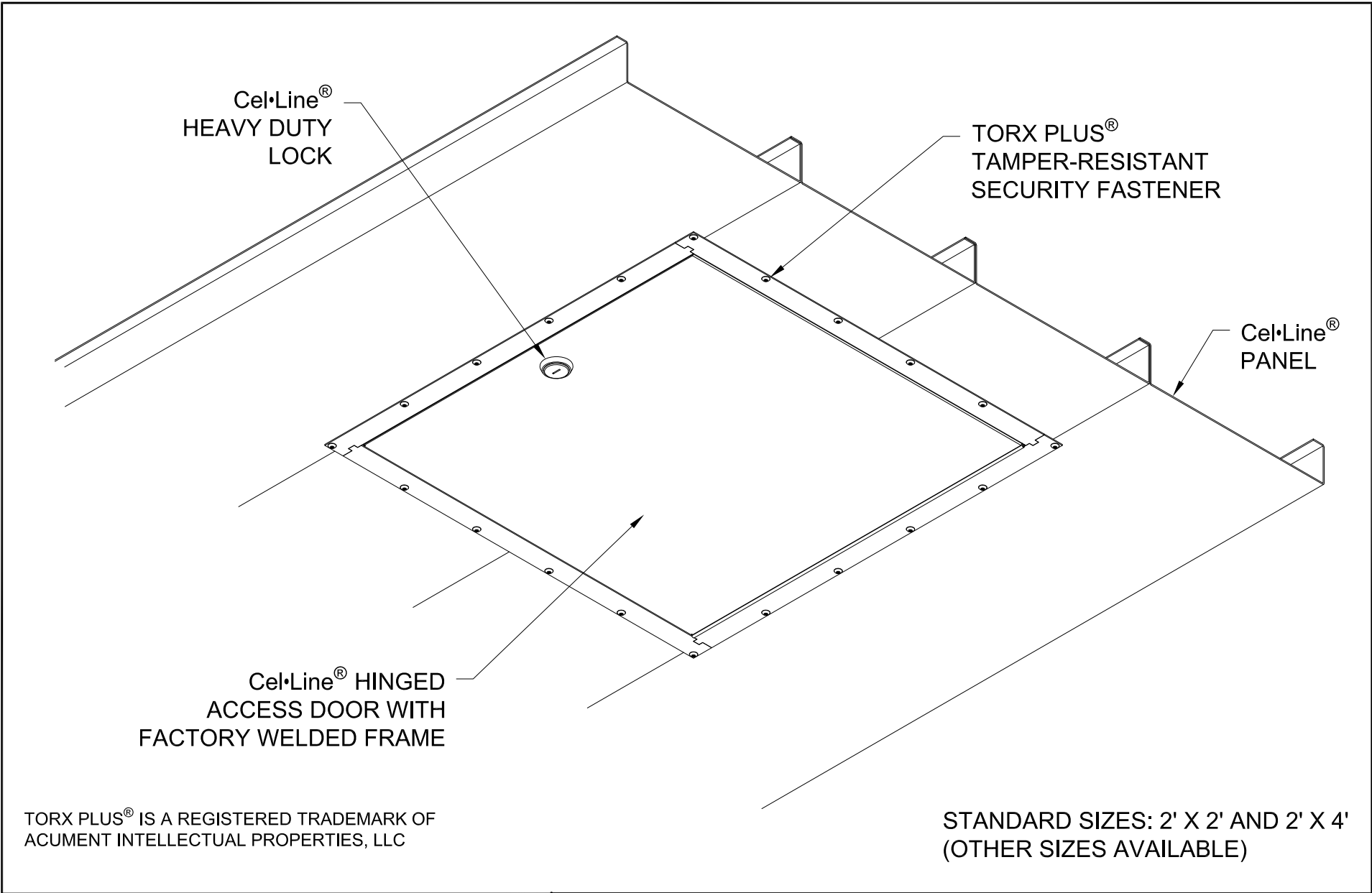


**GORDON**®  
ARCHITECTURAL+ENGINEERED SOLUTIONS

5023 Hazel Jones Rd.  
Bossier City, LA 71111  
800.747.8954  
GORDON-INC.COM  
sales@gordon-inc.com

SECURITY CEILINGS  
TAMPER-PROOF - CEL-LINE - 75% CONCEALED  
RECESSED LIGHT SECTION

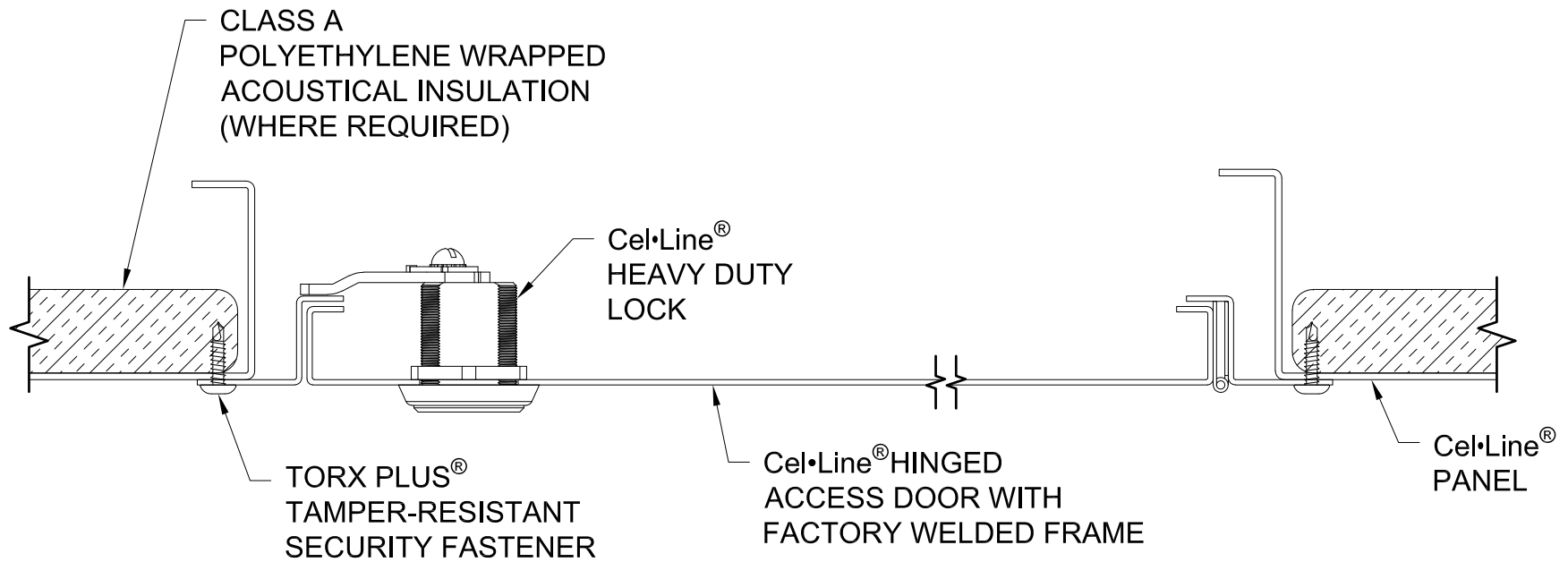




**GORDON**®  
ARCHITECTURAL+ENGINEERED SOLUTIONS

5023 Hazel Jones Rd.  
Bossier City, LA 71111  
800.747.8954  
GORDON-INC.COM  
sales@gordon-inc.com

**SECURITY CEILINGS**  
**TAMPER-PROOF - CEL-LINE - 75% CONCEALED**  
**ACCESS DOOR ISOMETRIC**



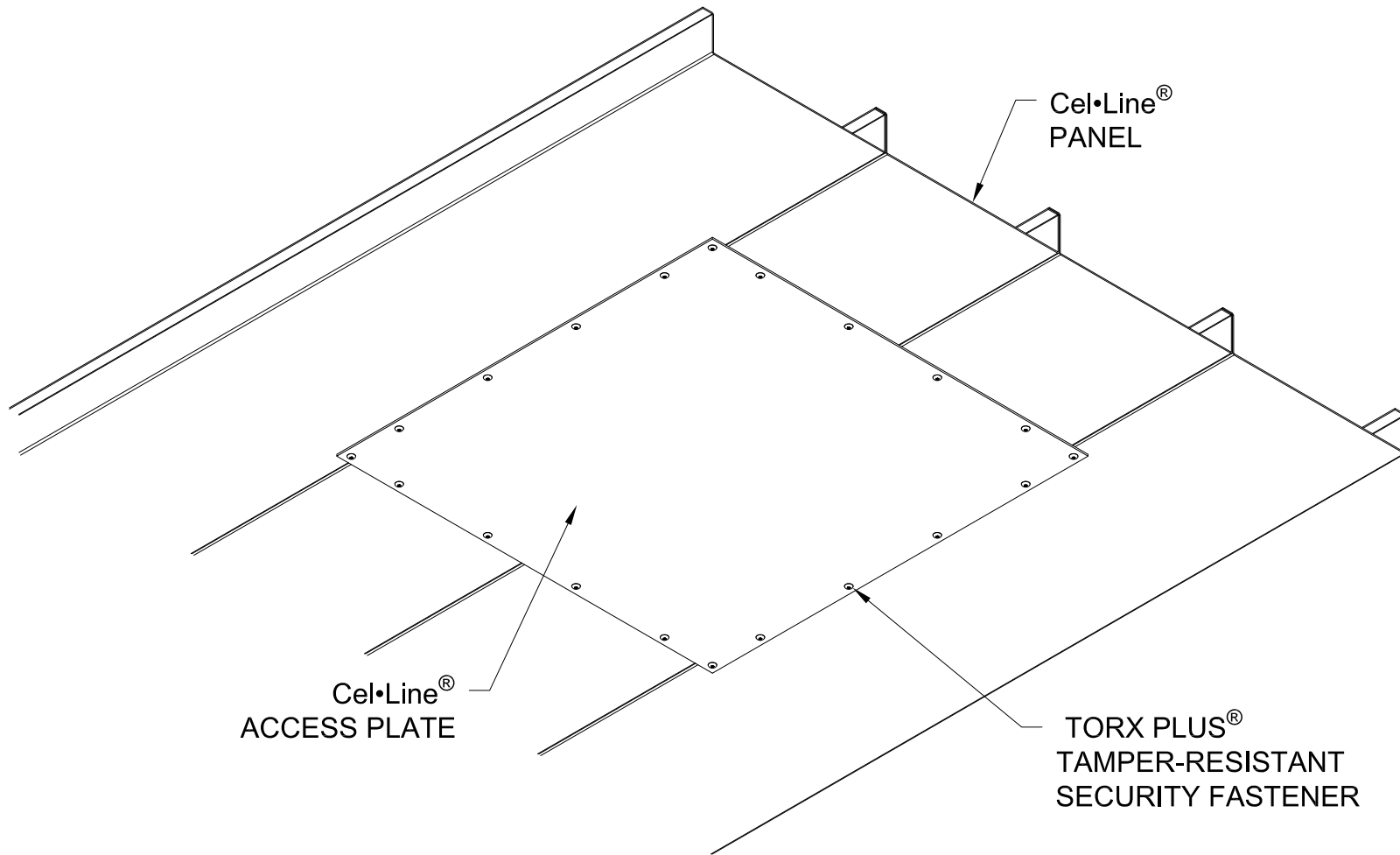
TORX PLUS® IS A REGISTERED TRADEMARK OF ACUMENT INTELLECTUAL PROPERTIES, LLC

STANDARD SIZES: 2' X 2' AND 2' X 4'  
(OTHER SIZES AVAILABLE)

**GORDON**®  
ARCHITECTURAL+ENGINEERED SOLUTIONS

5023 Hazel Jones Rd.  
Bossier City, LA 71111  
800.747.8954  
GORDON-INC.COM  
sales@gordon-inc.com

**SECURITY CEILINGS  
TAMPER-PROOF - CEL-LINE - 75% CONCEALED  
ACCESS DOOR SECTION**



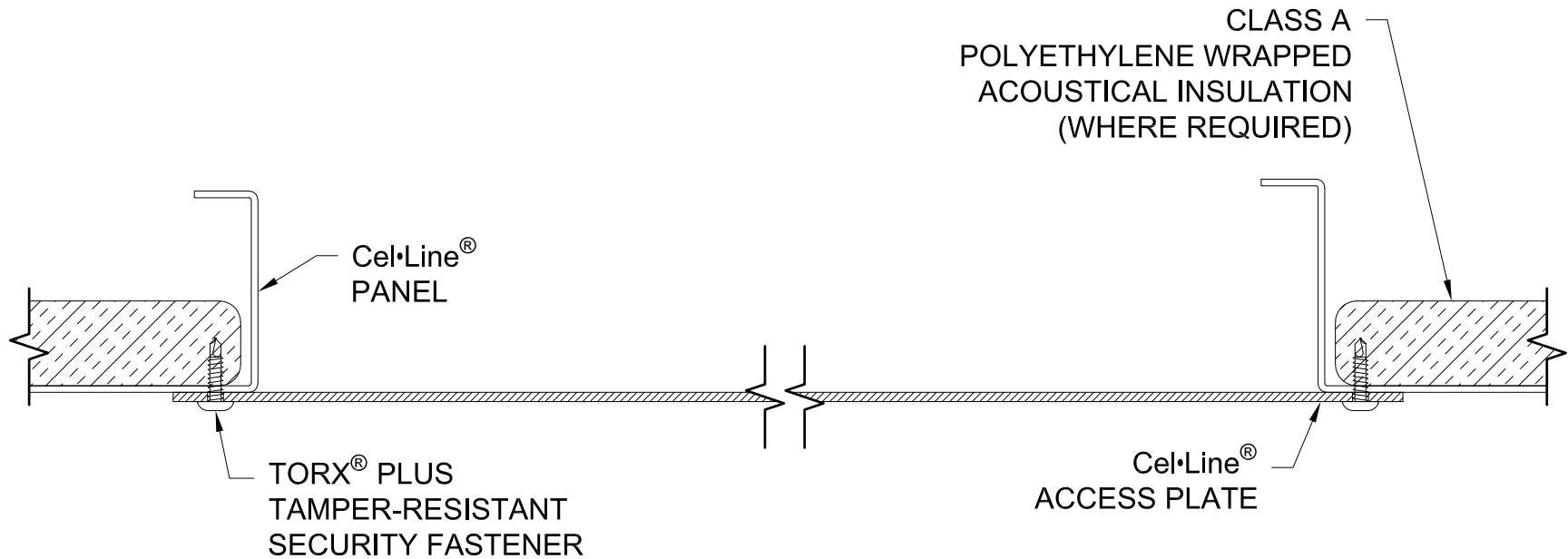
TORX PLUS® IS A REGISTERED TRADEMARK OF  
ACUMENT INTELLECTUAL PROPERTIES, LLC

STANDARD SIZES AVAILABLE:  
1'-6" X 1'-6", 2' X 2' AND 2' X 4'

**GORDON**®  
ARCHITECTURAL+ENGINEERED SOLUTIONS

5023 Hazel Jones Rd.  
Bossier City, LA 71111  
800.747.8954  
GORDON-INC.COM  
sales@gordon-inc.com

**SECURITY CEILINGS**  
**TAMPER-PROOF - CEL-LINE - 75% CONCEALED**  
**ACCESS PLATE ISOMETRIC**



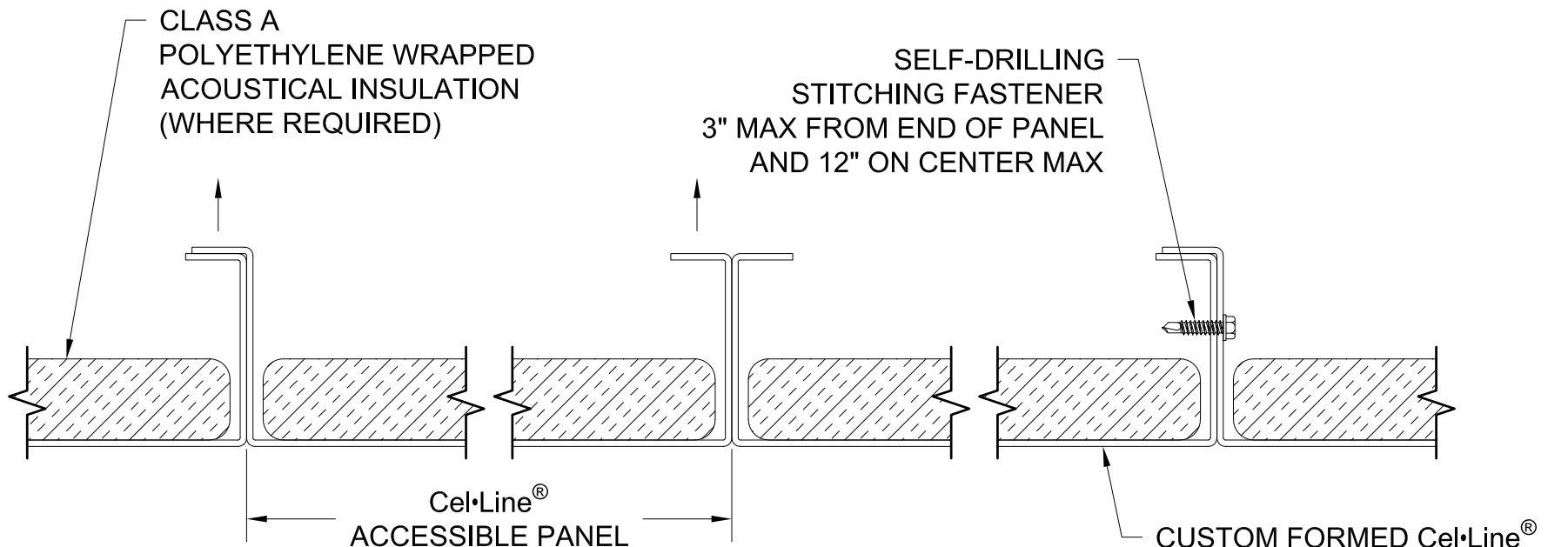
TORX PLUS® IS A REGISTERED TRADEMARK OF ACUMENT INTELLECTUAL PROPERTIES, LLC

STANDARD SIZES AVAILABLE:  
1'-6" X 1'-6", 2' X 2' AND 2' X 4'

**GORDON**®  
ARCHITECTURAL+ENGINEERED SOLUTIONS

5023 Hazel Jones Rd.  
Bossier City, LA 71111  
800.747.8954  
GORDON-INC.COM  
sales@gordon-inc.com

SECURITY CEILINGS  
TAMPER-PROOF - CEL-LINE - 75% CONCEALED  
ACCESS PLATE SECTION



NOTE:  
 ACCESSIBLE PANEL TO BE SECURED  
 TO PERIMETER TRIM AT EACH END  
 USING TORX PLUS® TAMPER RESISTANT  
 SECURITY FASTENERS

TORX PLUS® IS A REGISTERED TRADEMARK OF  
 ACUMENT INTELLECTUAL PROPERTIES, LLC

**GORDON**®  
 ARCHITECTURAL+ENGINEERED SOLUTIONS

5023 Hazel Jones Rd.  
 Bossier City, LA 71111  
 800.747.8954  
 GORDON-INC.COM  
 sales@gordon-inc.com

**SECURITY CEILINGS  
 TAMPER-PROOF - CEL-LINE - 75% CONCEALED  
 ACCESS PANEL SECTION**