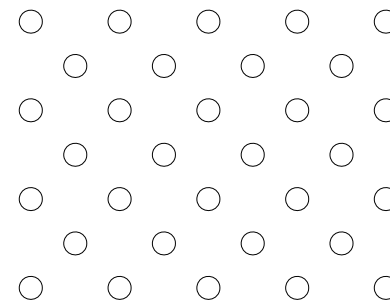
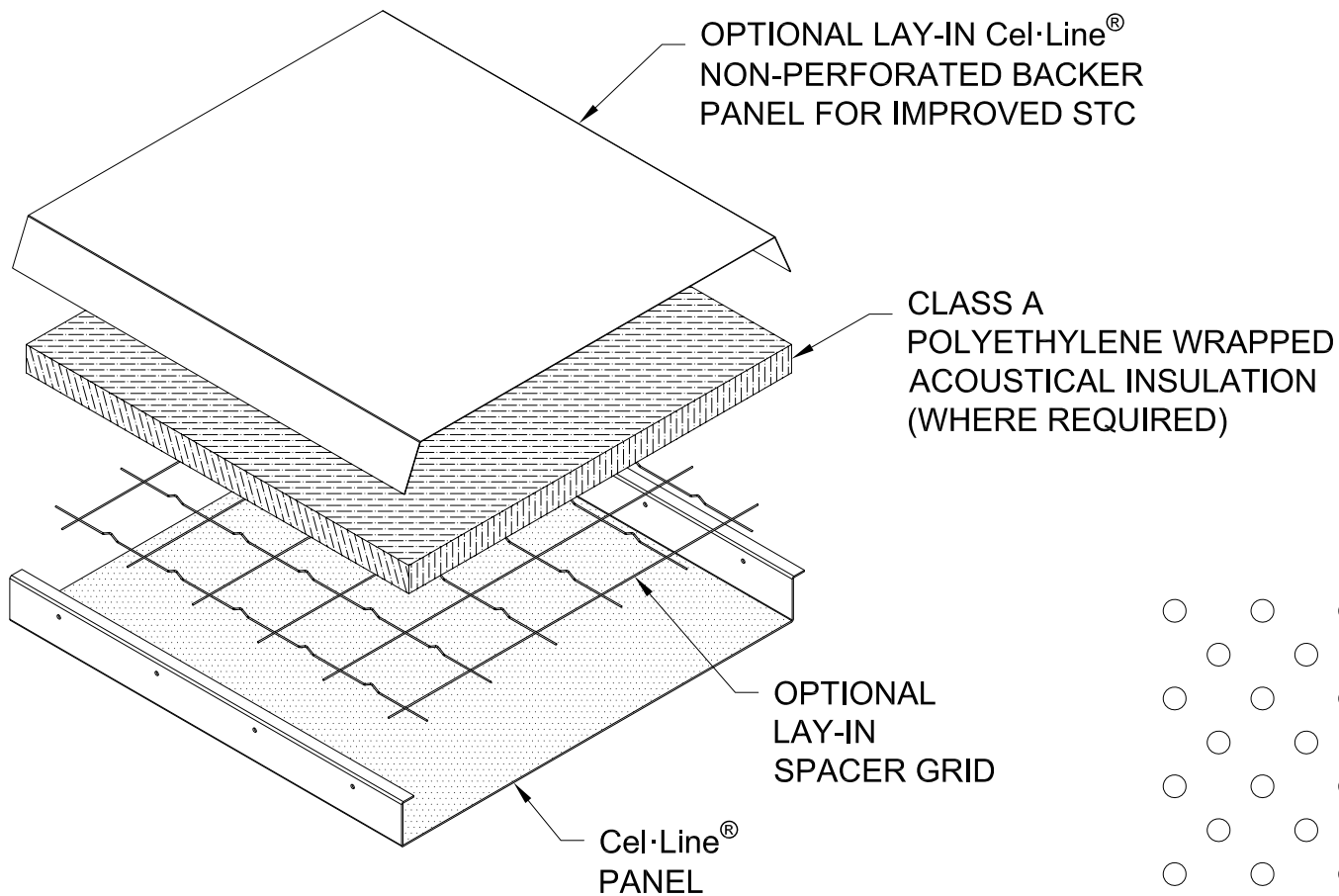


GORDON®
ARCHITECTURAL+ENGINEERED SOLUTIONS

5023 Hazel Jones Rd.
Bossier City, LA 71111
800.747.8954
GORDON-INC.COM
sales@gordon-inc.com

**SECURITY CEILINGS
TAMPER-PROOF - CEL-LINE - 100% CONCEALED
ISOMETRIC ASSEMBLY**

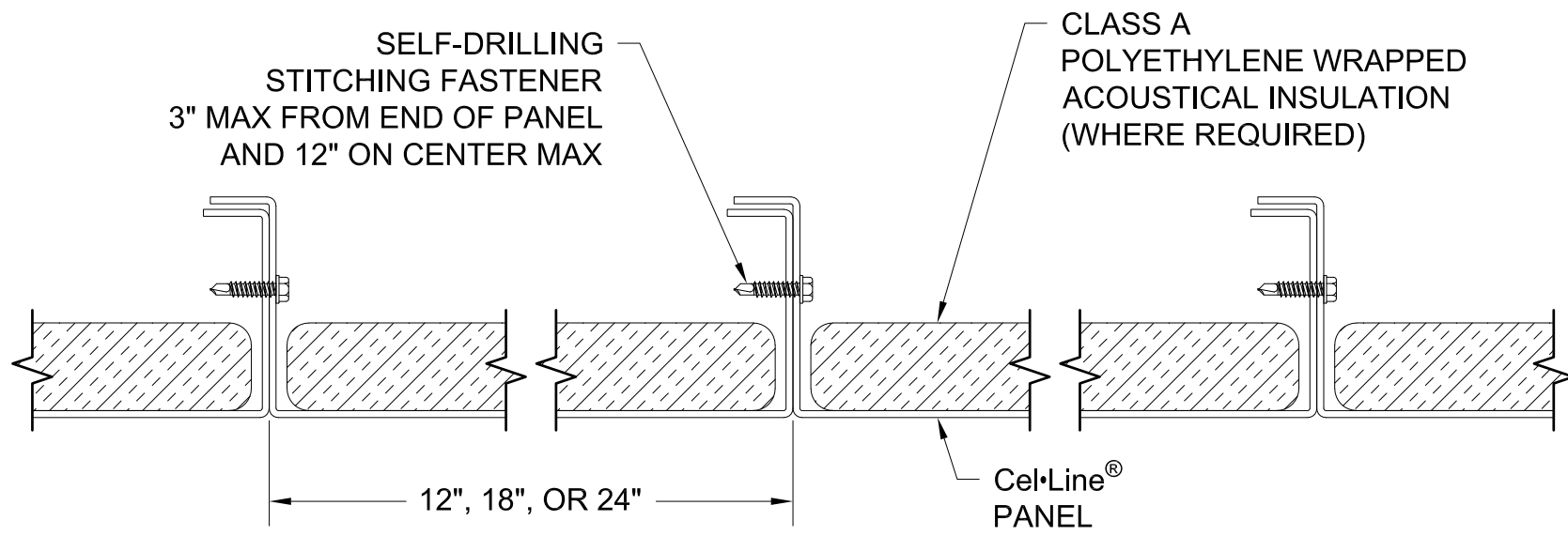


R18-1132DG11 PANEL PERFORATION DETAIL
1/8" HOLES ON 11/32" 45° DIAGONAL CENTERS
11% OPEN AREA

GORDON®
 ARCHITECTURAL+ENGINEERED SOLUTIONS

5023 Hazel Jones Rd.
 Bossier City, LA 71111
 800.747.8954
 GORDON-INC.COM
 sales@gordon-inc.com

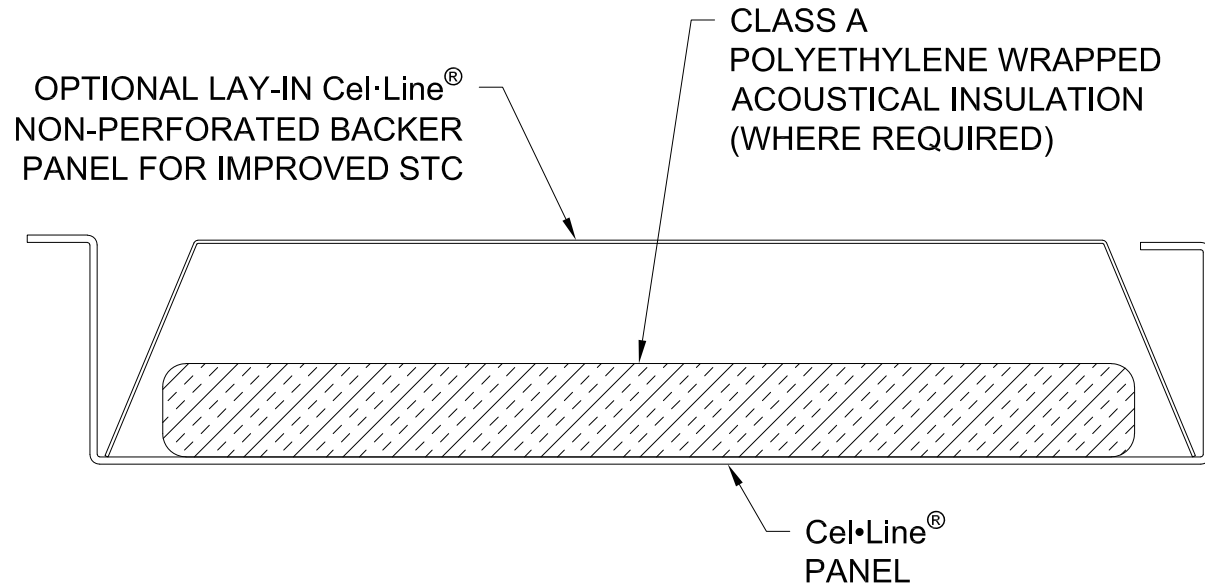
SECURITY CEILINGS
TAMPER-PROOF – CEL-LINE - 100% CONCEALED
PANEL ASSEMBLY DETAILS



GORDON®
 ARCHITECTURAL+ENGINEERED SOLUTIONS

5023 Hazel Jones Rd.
 Bossier City, LA 71111
 800.747.8954
 GORDON-INC.COM
 sales@gordon-inc.com

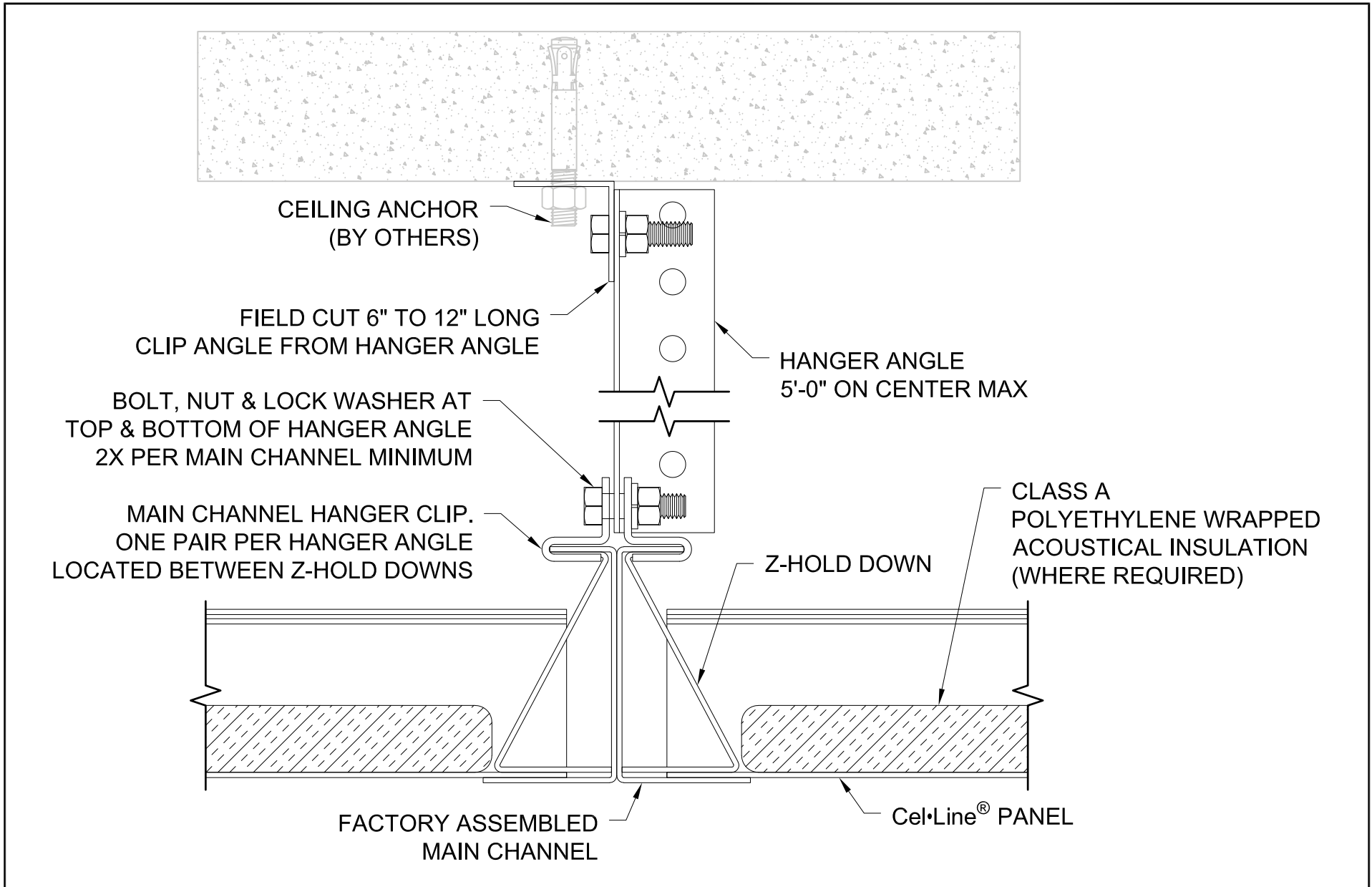
**SECURITY CEILINGS
 TAMPER-PROOF – CEL-LINE - 100% CONCEALED
 TYPICAL PANEL SECTION**

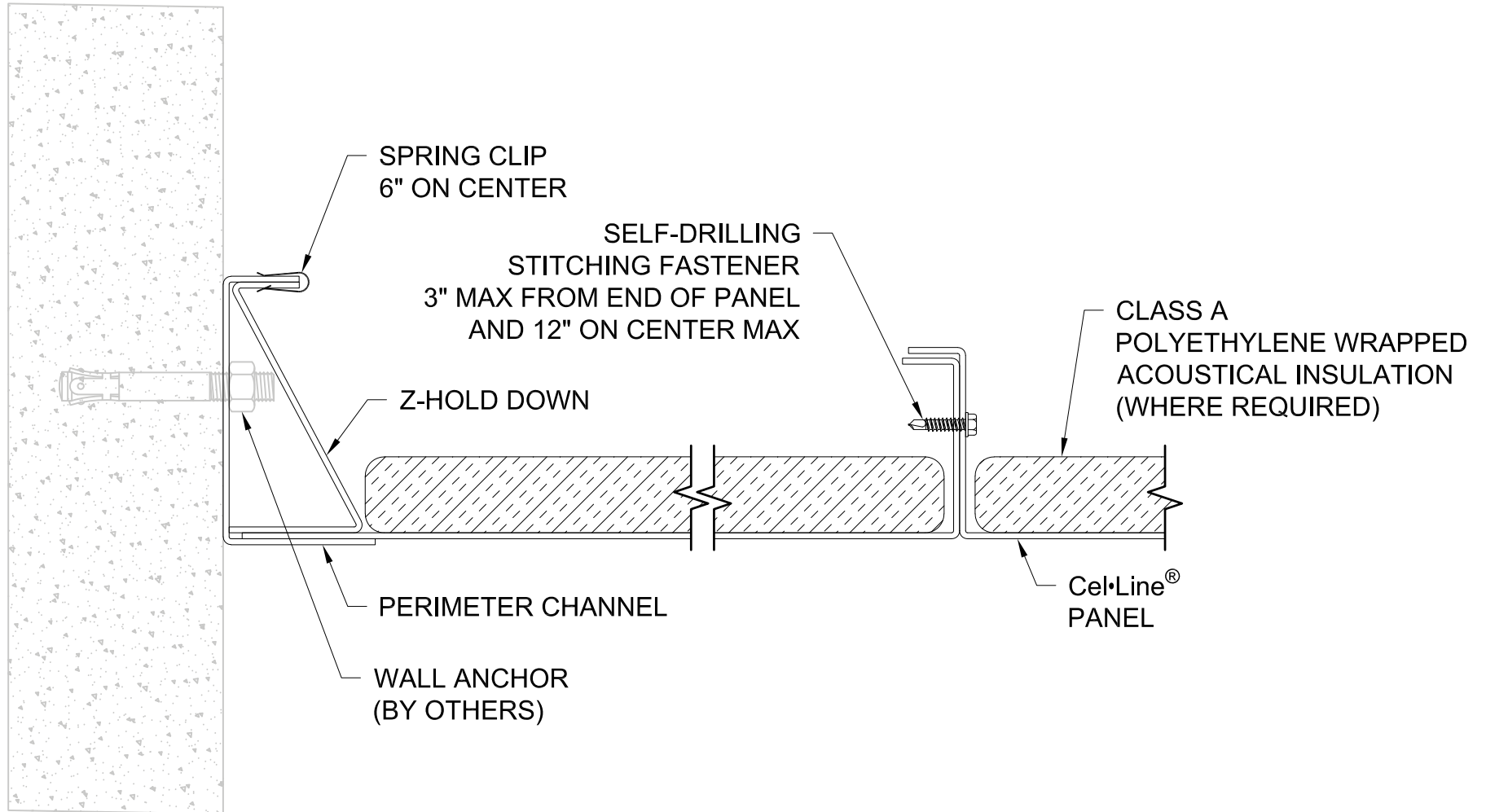


GORDON®
ARCHITECTURAL+ENGINEERED SOLUTIONS

5023 Hazel Jones Rd.
Bossier City, LA 71111
800.747.8954
GORDON-INC.COM
sales@gordon-inc.com

SECURITY CEILINGS
TAMPER-PROOF – CEL-LINE - 100% CONCEALED
BACKER PANEL SECTION

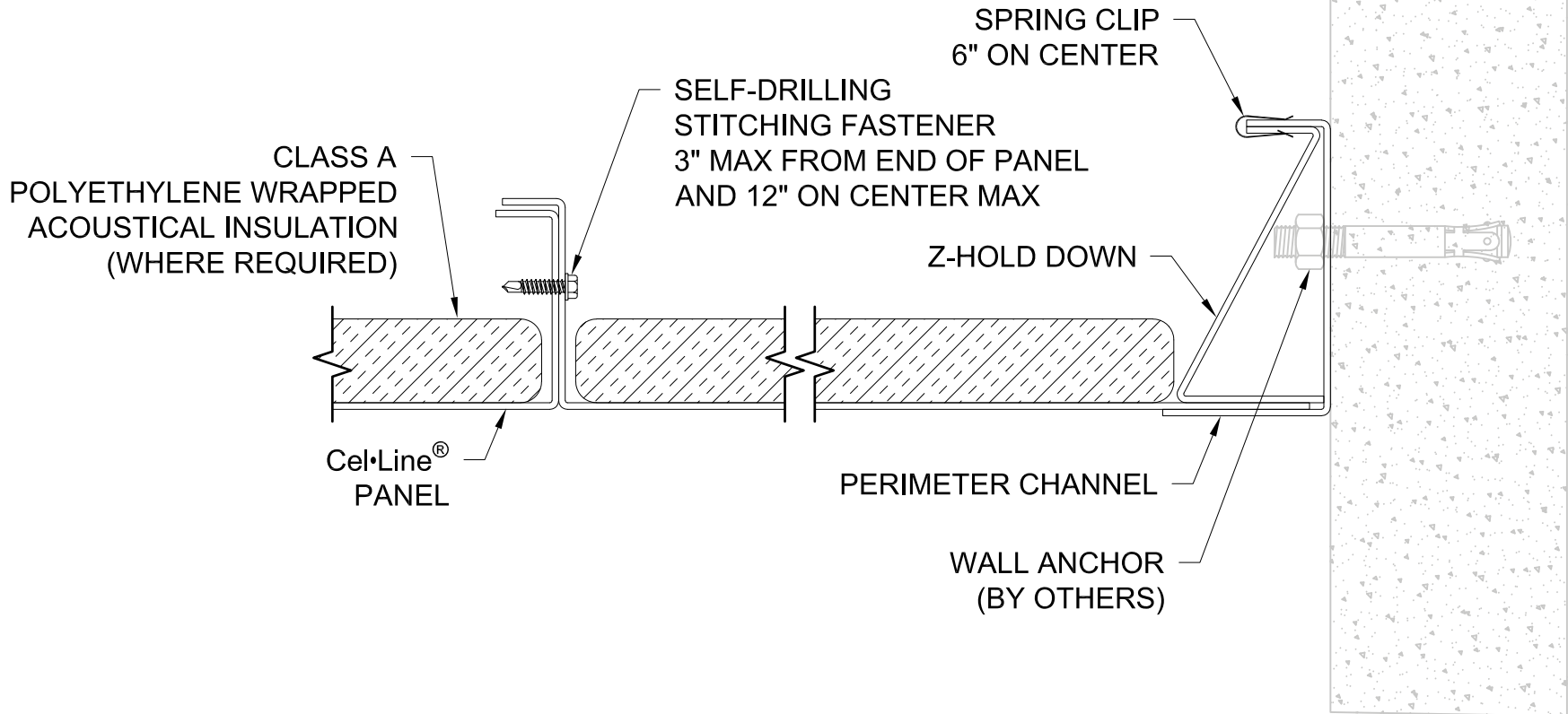




GORDON®
 ARCHITECTURAL+ENGINEERED SOLUTIONS

5023 Hazel Jones Rd.
 Bossier City, LA 71111
 800.747.8954
 GORDON-INC.COM
 sales@gordon-inc.com

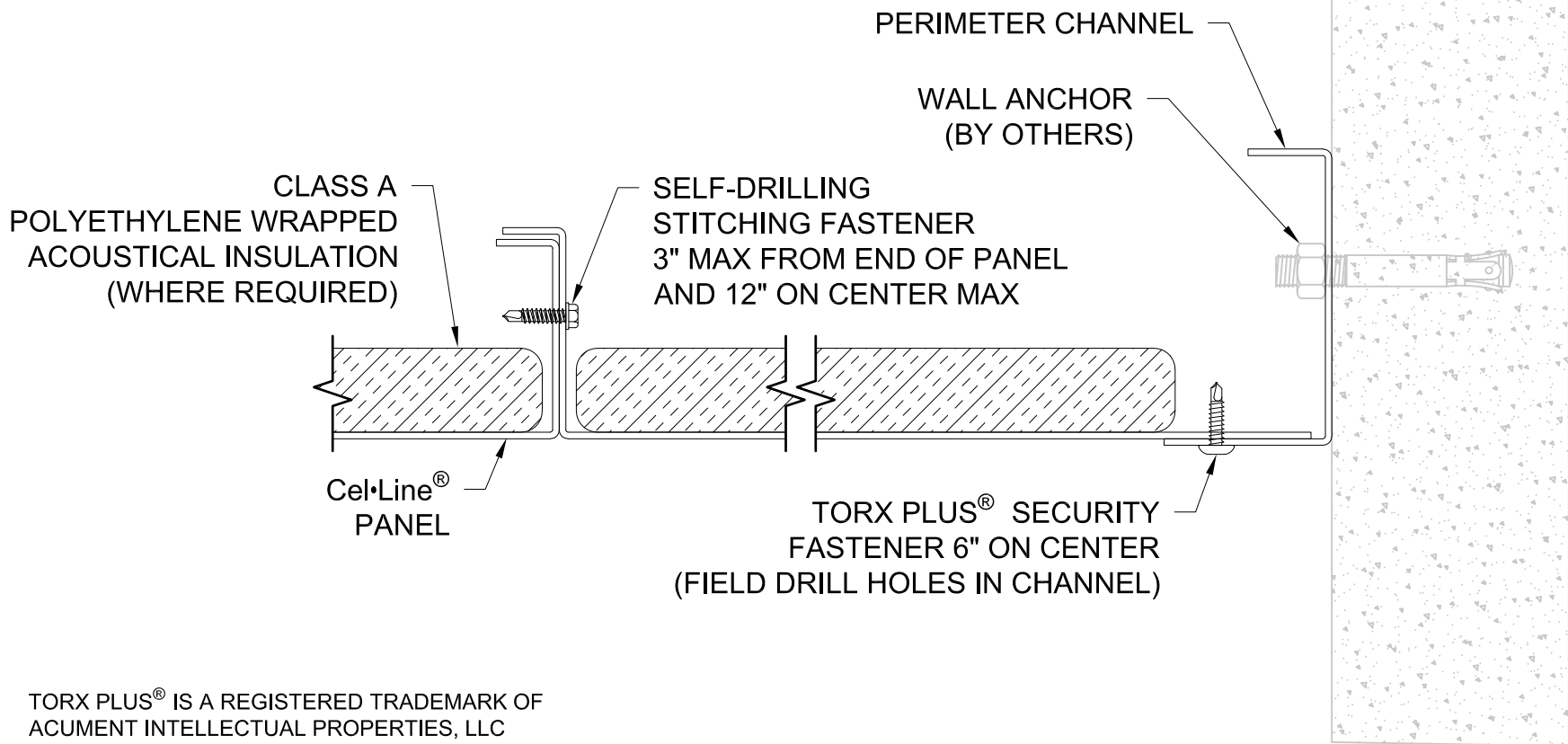
SECURITY CEILINGS
 TAMPER-PROOF - CEL-LINE - 100% CONCEALED
 START PANEL SECTION



GORDON®
ARCHITECTURAL+ENGINEERED SOLUTIONS

5023 Hazel Jones Rd.
Bossier City, LA 71111
800.747.8954
GORDON-INC.COM
sales@gordon-inc.com

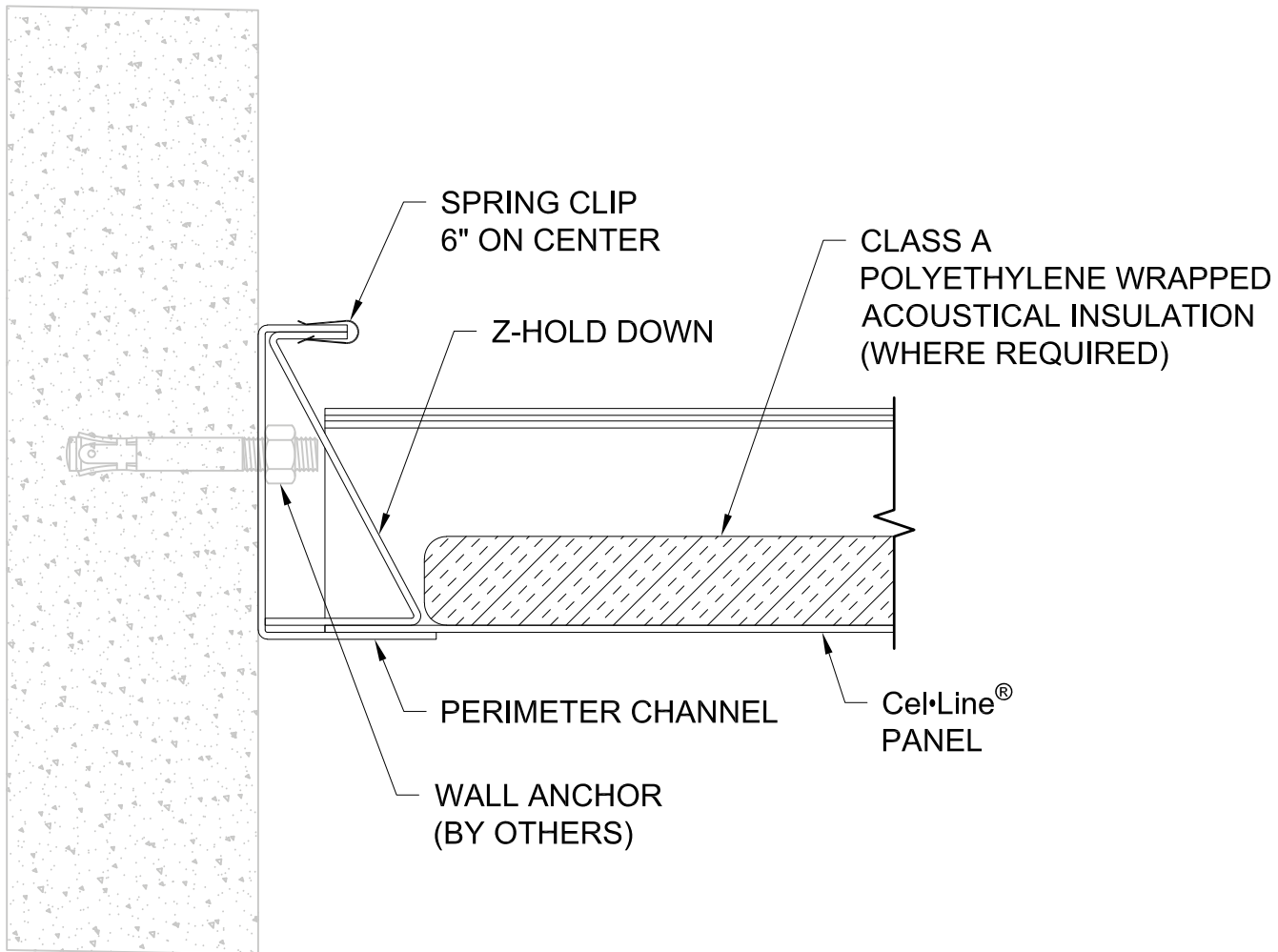
SECURITY CEILINGS
TAMPER-PROOF - CEL-LINE - 100% CONCEALED
LAST PANEL SECTION



GORDON® ARCHITECTURAL+ENGINEERED SOLUTIONS

5023 Hazel Jones Rd.
 Bossier City, LA 71111
 800.747.8954
 GORDON-INC.COM
 sales@gordon-inc.com

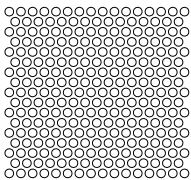
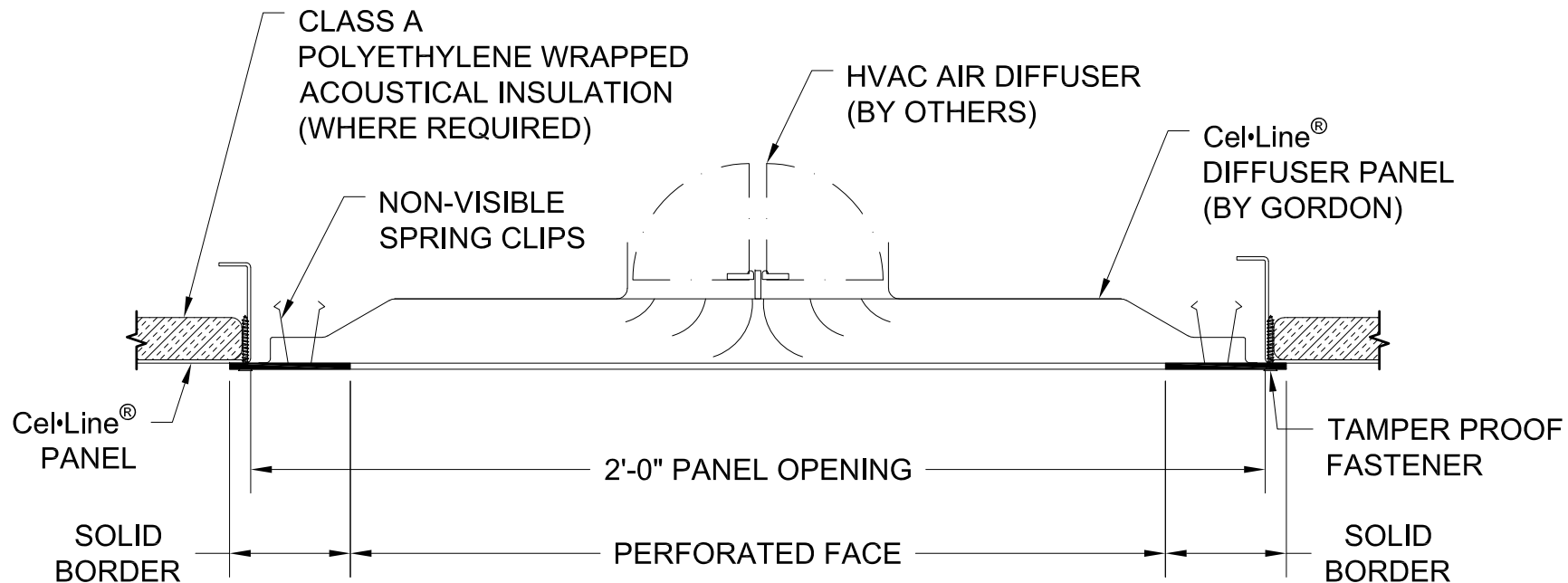
SECURITY CEILINGS
TAMPER-PROOF - CEL-LINE - 100% CONCEALED
ALTERNATE LAST PANEL SECTION



GORDON®
 ARCHITECTURAL+ENGINEERED SOLUTIONS

5023 Hazel Jones Rd.
 Bossier City, LA 71111
 800.747.8954
 GORDON-INC.COM
 sales@gordon-inc.com

SECURITY CEILINGS
 TAMPER-PROOF – CEL-LINE - 100% CONCEALED
 END OF PANEL SECTION



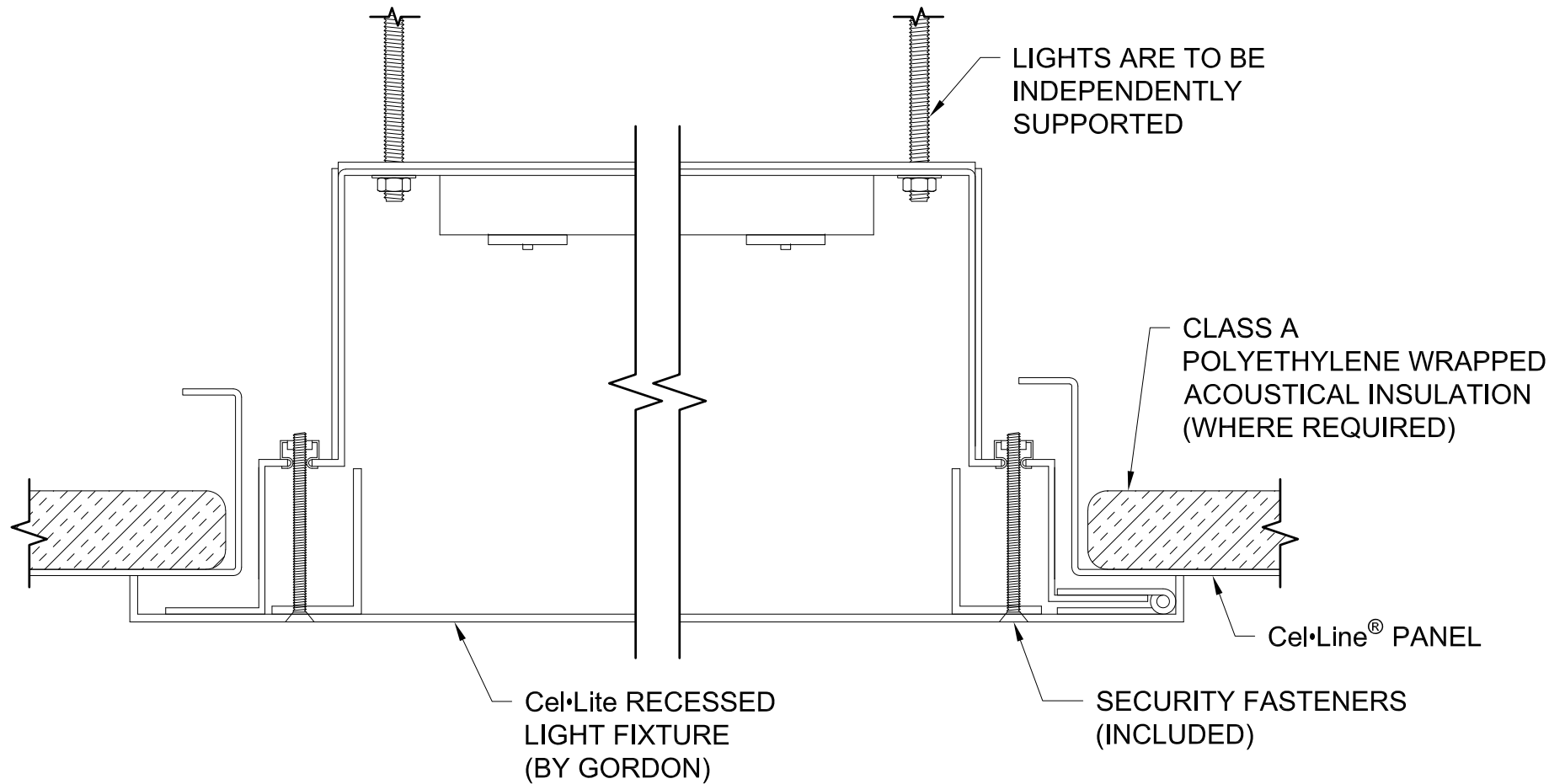
DIFFUSER PANEL PERFORATION PATTERN
3/16" HOLES ON 1/4" STAGGERED CENTERS
50% OPEN AREA

OTHER PERFORATION PATTERNS ARE AVAILABLE
 (CONTACT FACTORY)

GORDON®
 ARCHITECTURAL+ENGINEERED SOLUTIONS

5023 Hazel Jones Rd.
 Bossier City, LA 71111
 800.747.8954
 GORDON-INC.COM
 sales@gordon-inc.com

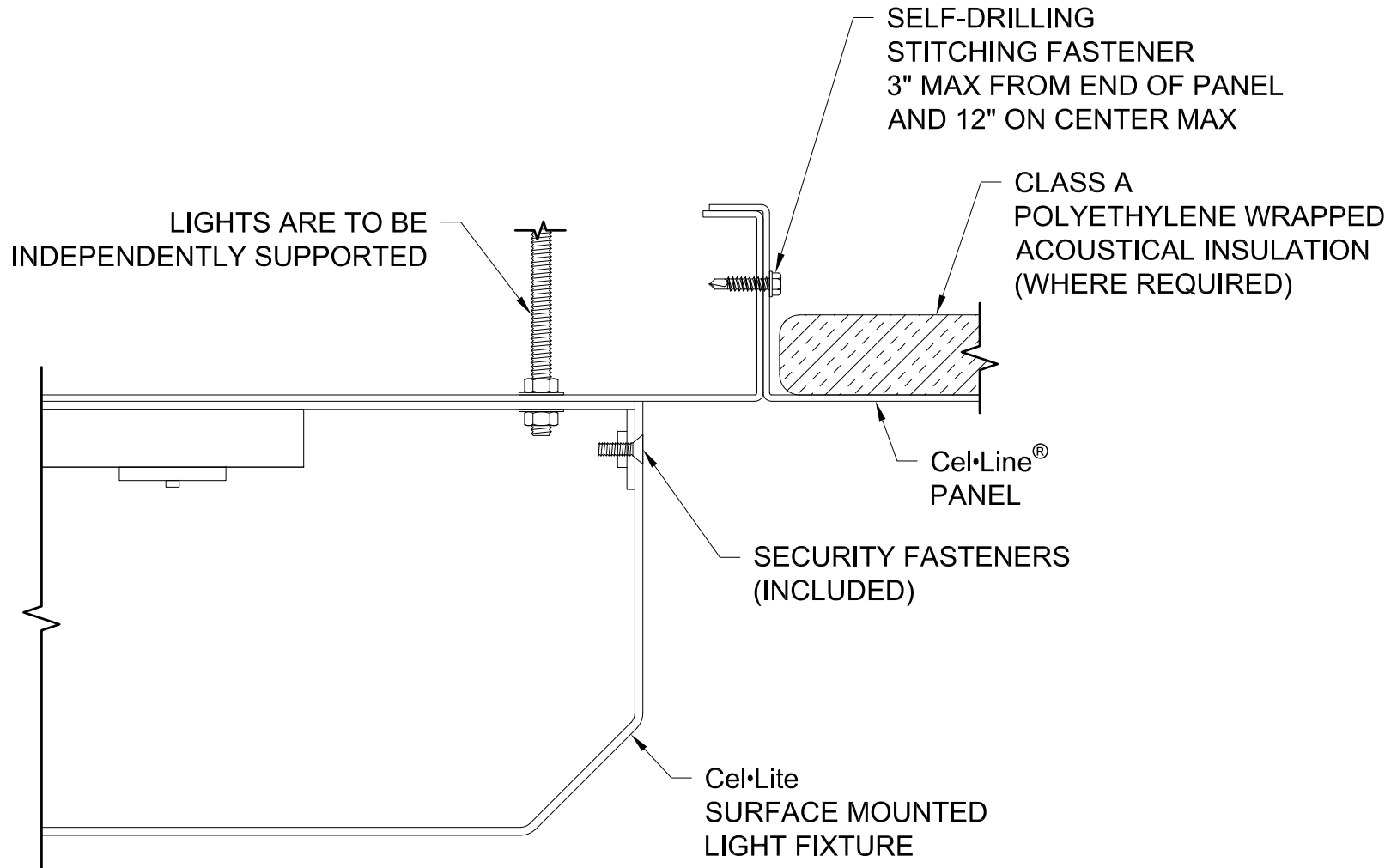
SECURITY CEILINGS
TAMPER-PROOF – CEL-LINE - 100% CONCEALED
HVAC DIFFUSER SECTION



GORDON®
ARCHITECTURAL+ENGINEERED SOLUTIONS

5023 Hazel Jones Rd.
Bossier City, LA 71111
800.747.8954
GORDON-INC.COM
sales@gordon-inc.com

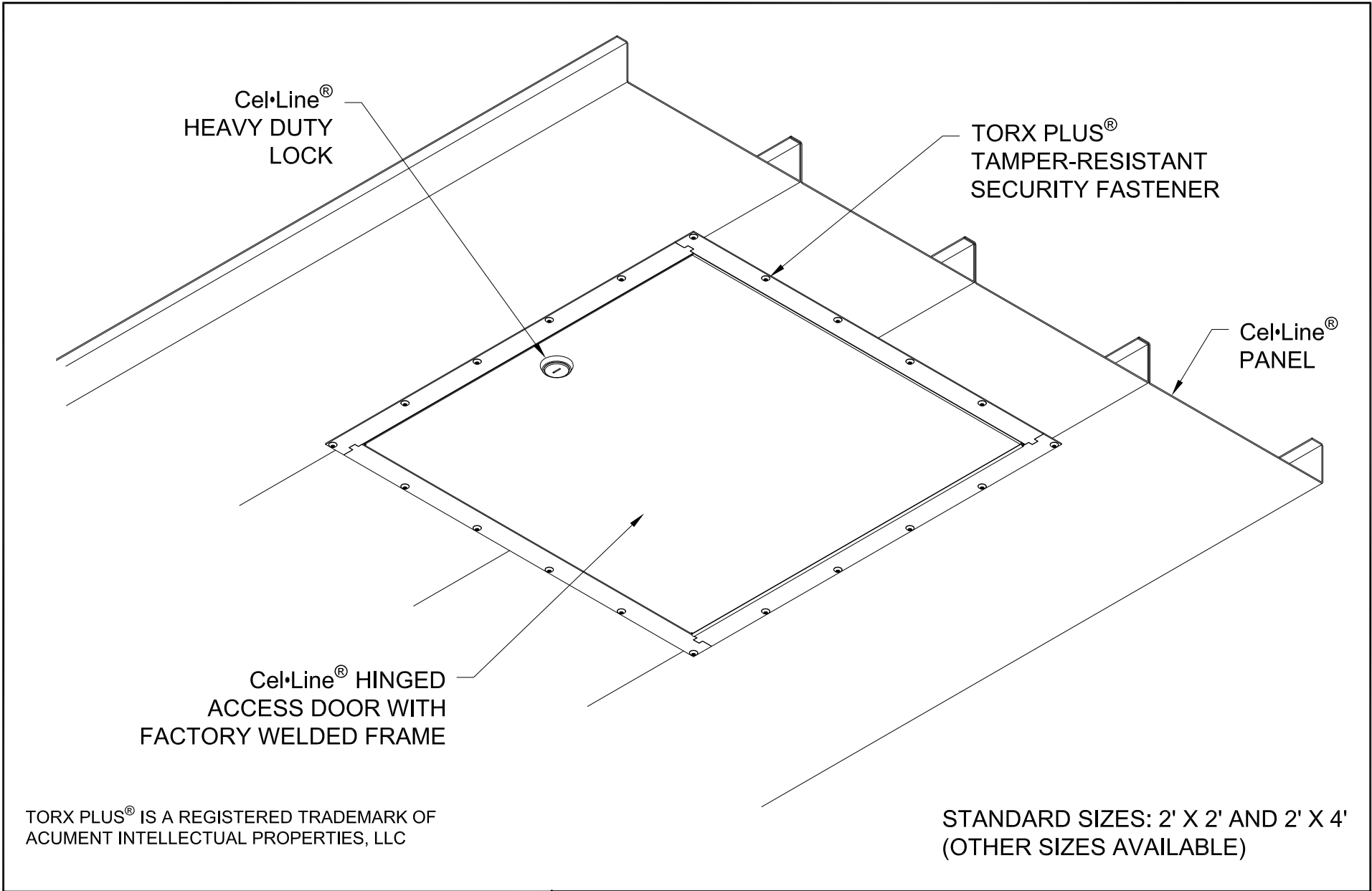
**SECURITY CEILINGS
TAMPER-PROOF – CEL-LINE - 100% CONCEALED
RECESSED LIGHT SECTION**



GORDON®
ARCHITECTURAL+ENGINEERED SOLUTIONS

5023 Hazel Jones Rd.
Bossier City, LA 71111
800.747.8954
GORDON-INC.COM
sales@gordon-inc.com

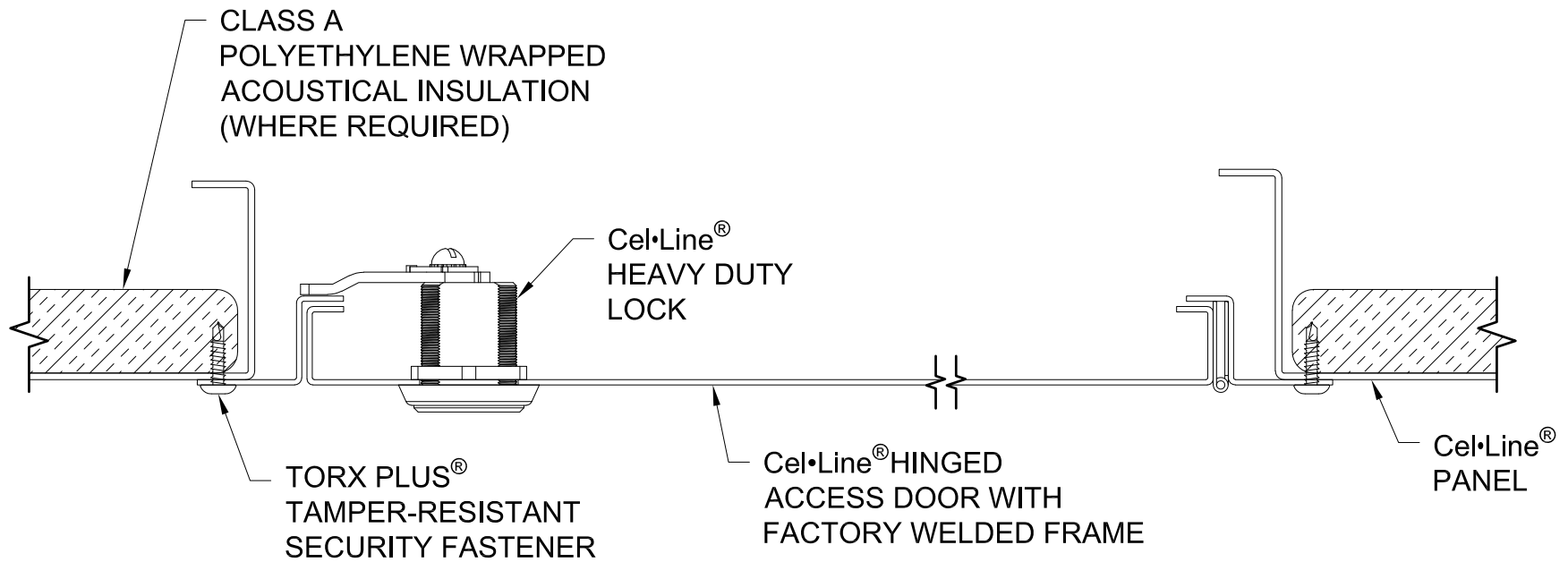
**SECURITY CEILINGS
TAMPER-PROOF - CEL-LINE - 100% CONCEALED
SURFACE LIGHT SECTION**



GORDON®
ARCHITECTURAL+ENGINEERED SOLUTIONS

5023 Hazel Jones Rd.
Bossier City, LA 71111
800.747.8954
GORDON-INC.COM
sales@gordon-inc.com

SECURITY CEILINGS
TAMPER-PROOF - CEL-LINE - 100% CONCEALED
ACCESS DOOR ISOMETRIC



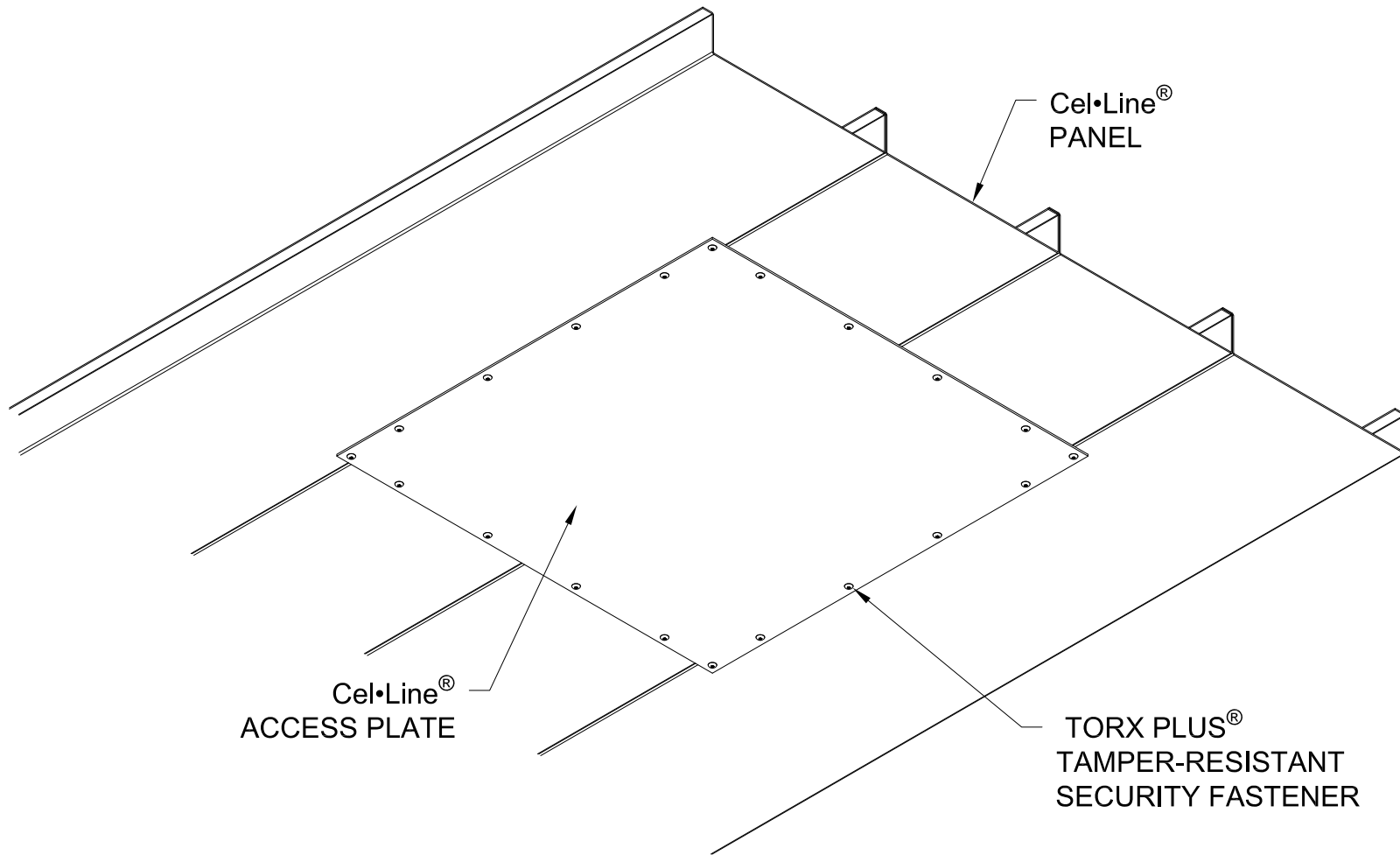
TORX PLUS® IS A REGISTERED TRADEMARK OF
ACUMENT INTELLECTUAL PROPERTIES, LLC

STANDARD SIZES: 2' X 2' AND 2' X 4'
(OTHER SIZES AVAILABLE)

GORDON®
ARCHITECTURAL+ENGINEERED SOLUTIONS

5023 Hazel Jones Rd.
Bossier City, LA 71111
800.747.8954
GORDON-INC.COM
sales@gordon-inc.com

**SECURITY CEILINGS
TAMPER-PROOF - CEL-LINE - 100% CONCEALED
ACCESS DOOR SECTION**



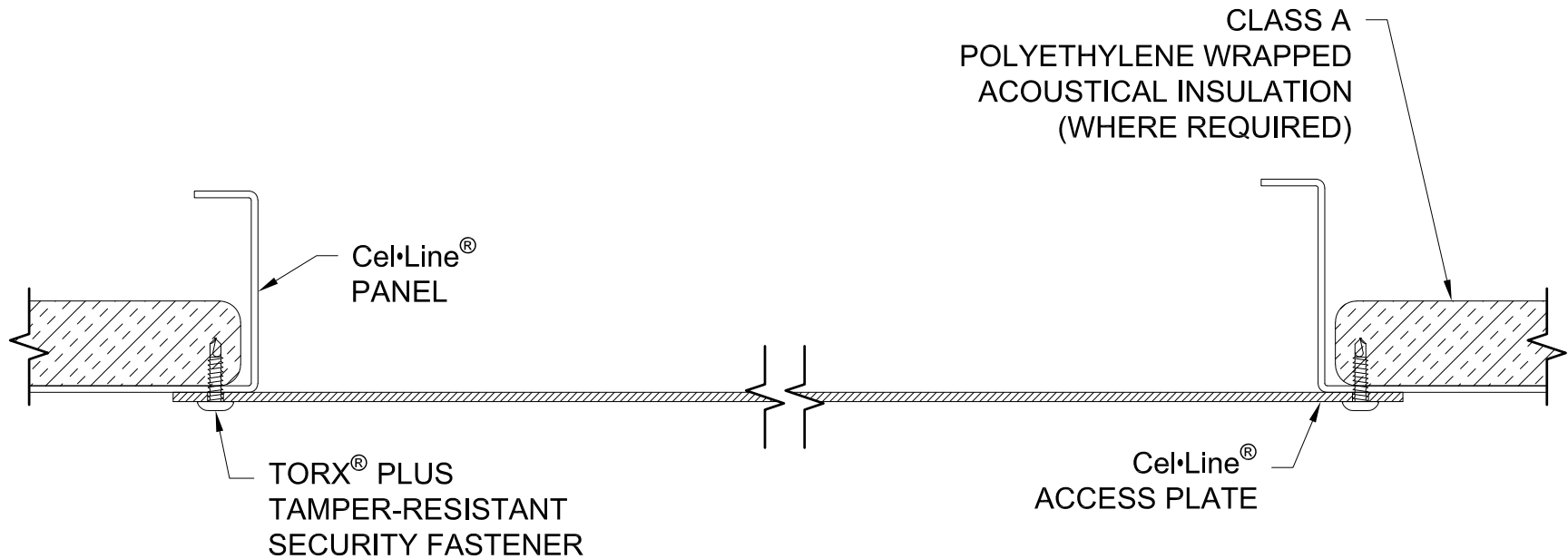
TORX PLUS® IS A REGISTERED TRADEMARK OF
ACUMENT INTELLECTUAL PROPERTIES, LLC

STANDARD SIZES AVAILABLE:
1'-6" X 1'-6", 2' X 2' AND 2' X 4'

GORDON®
ARCHITECTURAL+ENGINEERED SOLUTIONS

5023 Hazel Jones Rd.
Bossier City, LA 71111
800.747.8954
GORDON-INC.COM
sales@gordon-inc.com

SECURITY CEILINGS
TAMPER-PROOF - CEL-LINE - 100% CONCEALED
ACCESS PLATE ISOMETRIC



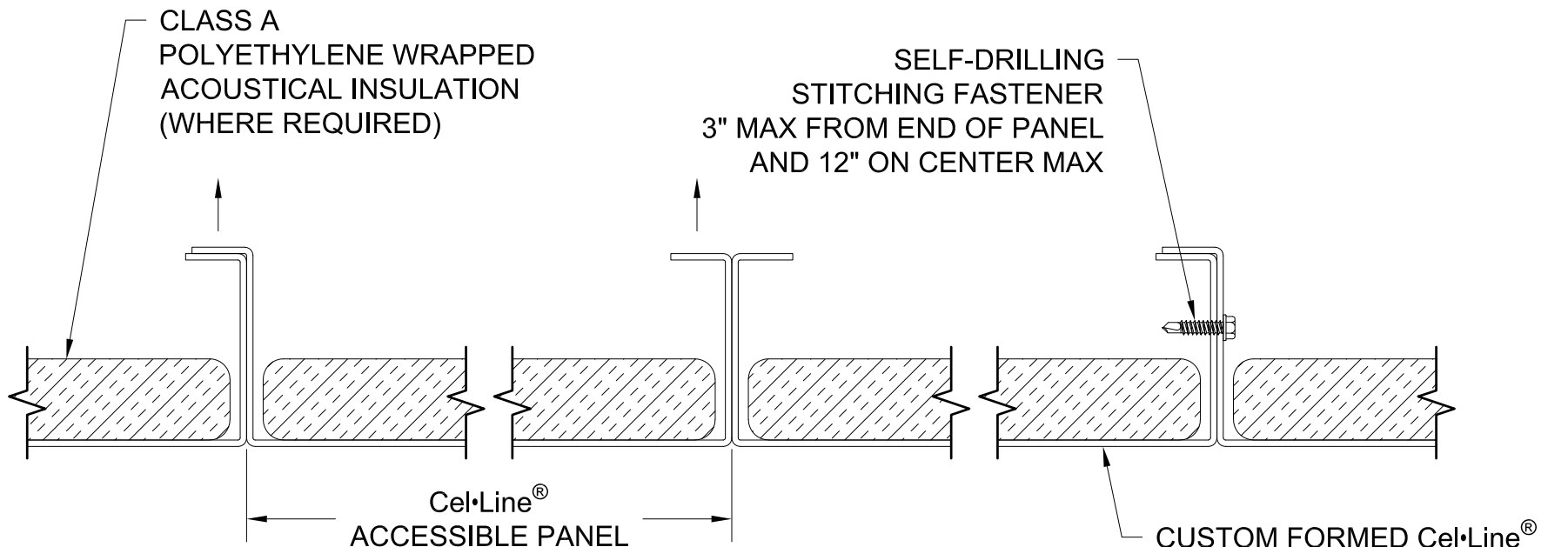
TORX PLUS® IS A REGISTERED TRADEMARK OF ACUMENT INTELLECTUAL PROPERTIES, LLC

STANDARD SIZES AVAILABLE:
1'-6" X 1'-6", 2' X 2' AND 2' X 4'

GORDON®
ARCHITECTURAL+ENGINEERED SOLUTIONS

5023 Hazel Jones Rd.
Bossier City, LA 71111
800.747.8954
GORDON-INC.COM
sales@gordon-inc.com

**SECURITY CEILINGS
TAMPER-PROOF - CEL-LINE - 100% CONCEALED
ACCESS PLATE SECTION**



NOTE:
 ACCESSIBLE PANEL TO BE SECURED
 TO PERIMETER TRIM AT EACH END
 USING TORX PLUS® TAMPER RESISTANT
 SECURITY FASTENERS

TORX PLUS® IS A REGISTERED TRADEMARK OF
 ACUMENT INTELLECTUAL PROPERTIES, LLC

GORDON® ARCHITECTURAL+ENGINEERED SOLUTIONS
 5023 Hazel Jones Rd.
 Bossier City, LA 71111
 800.747.8954
 GORDON-INC.COM
 sales@gordon-inc.com

**SECURITY CEILING
 TAMPER-PROOF - CEL-LINE - 100% CONCEALED
 ACCESS PANEL SECTION**