

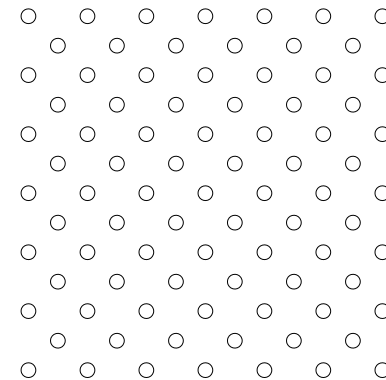
OPTIONAL LAY-IN Lockdown® MH  
NON-PERFORATED BACKER  
PANEL FOR IMPROVED STC

CLASS A  
POLYETHYLENE WRAPPED  
ACOUSTICAL INSULATION  
(WHERE REQUIRED)

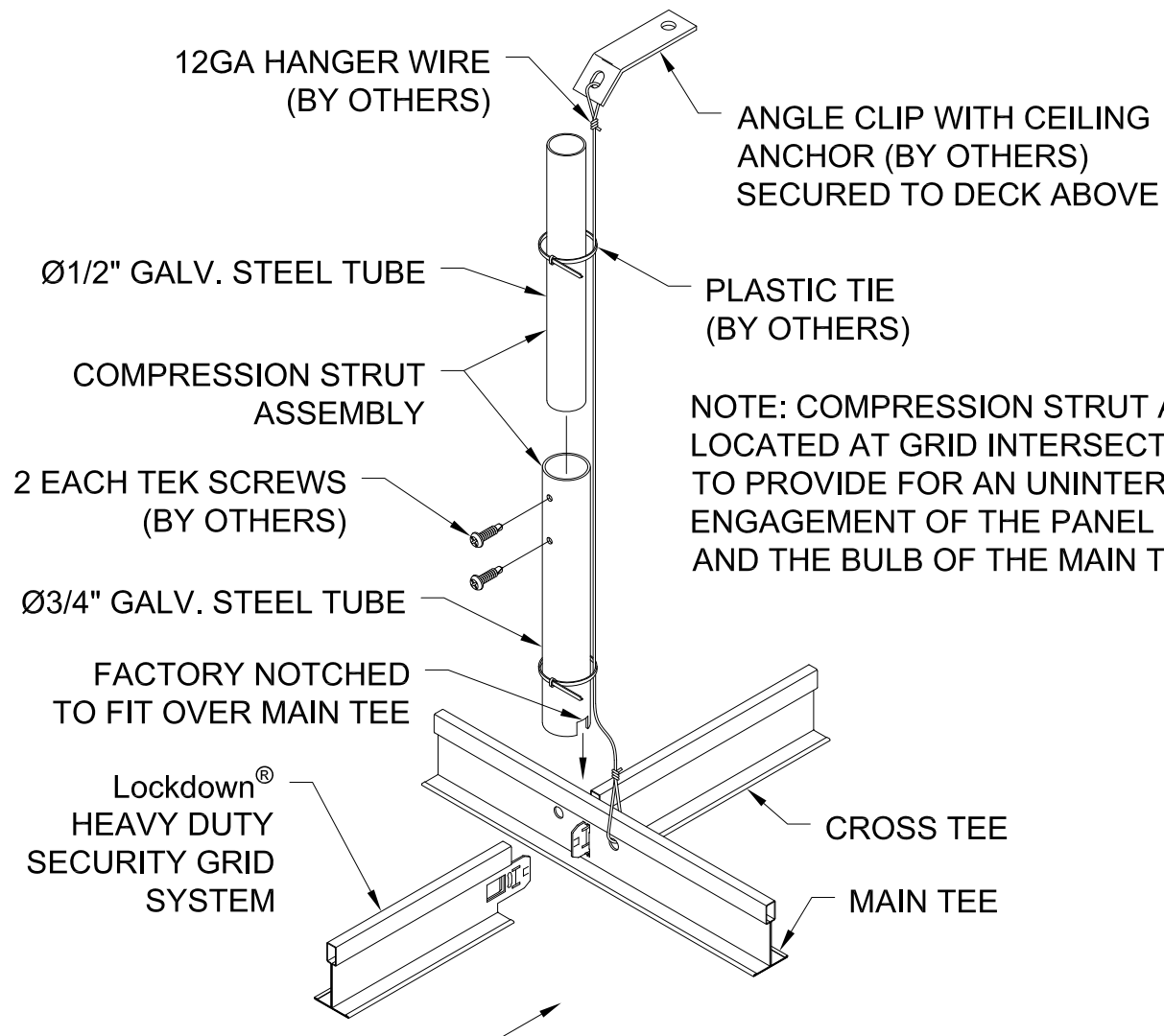
OPTIONAL  
LAY-IN  
SPACER GRID

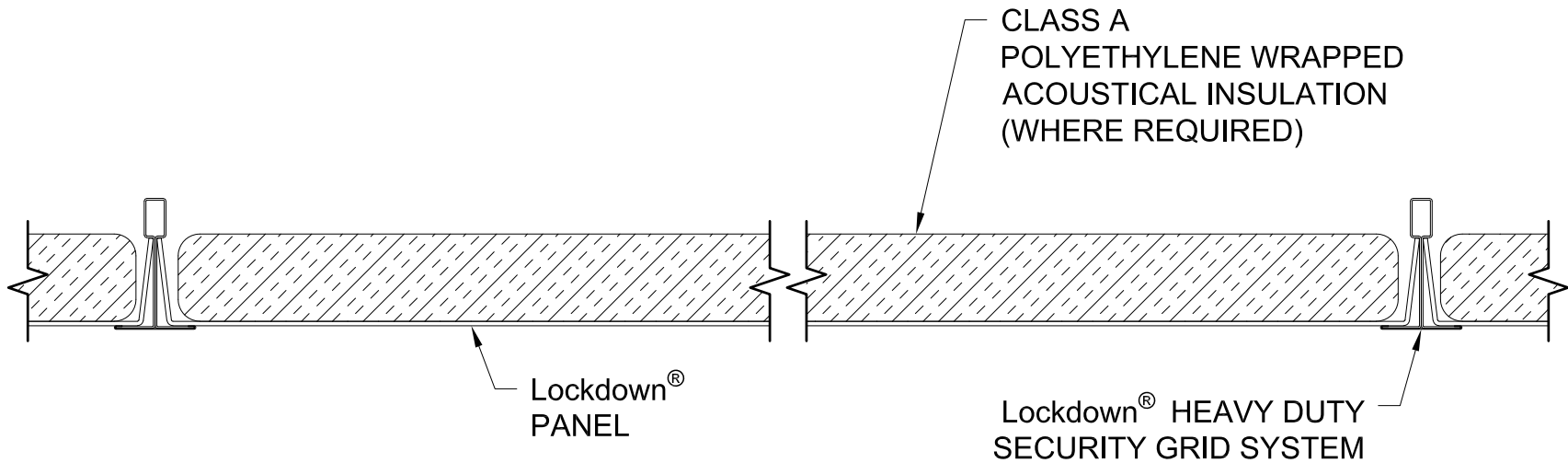
Lockdown® MH  
PANEL

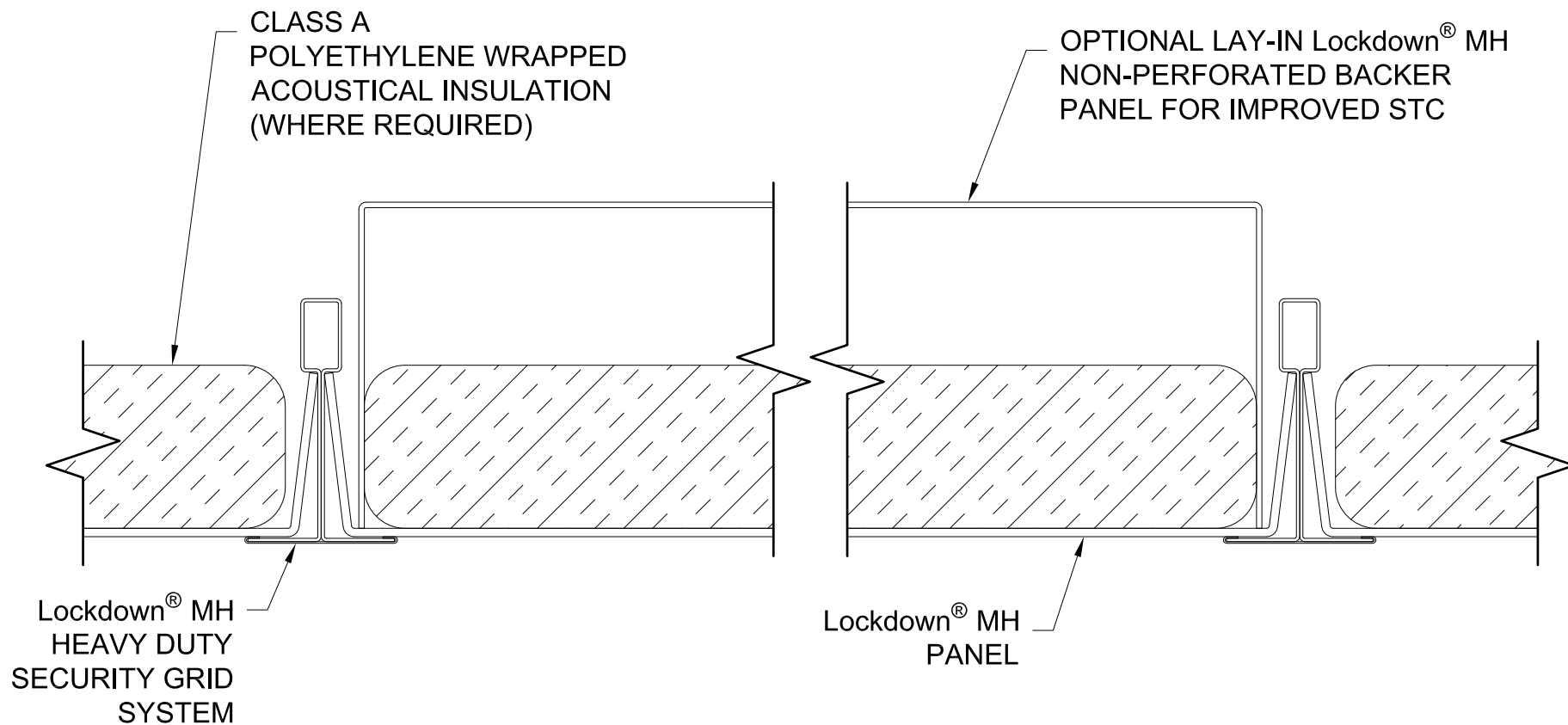
2' X 2' SHOWN  
2' X 4' ALSO AVAILABLE



R564-732DG10 PANEL PERFORATION DETAIL  
5/64" HOLES ON 7/32" 45° DIAGONAL CENTERS  
10% OPEN AREA



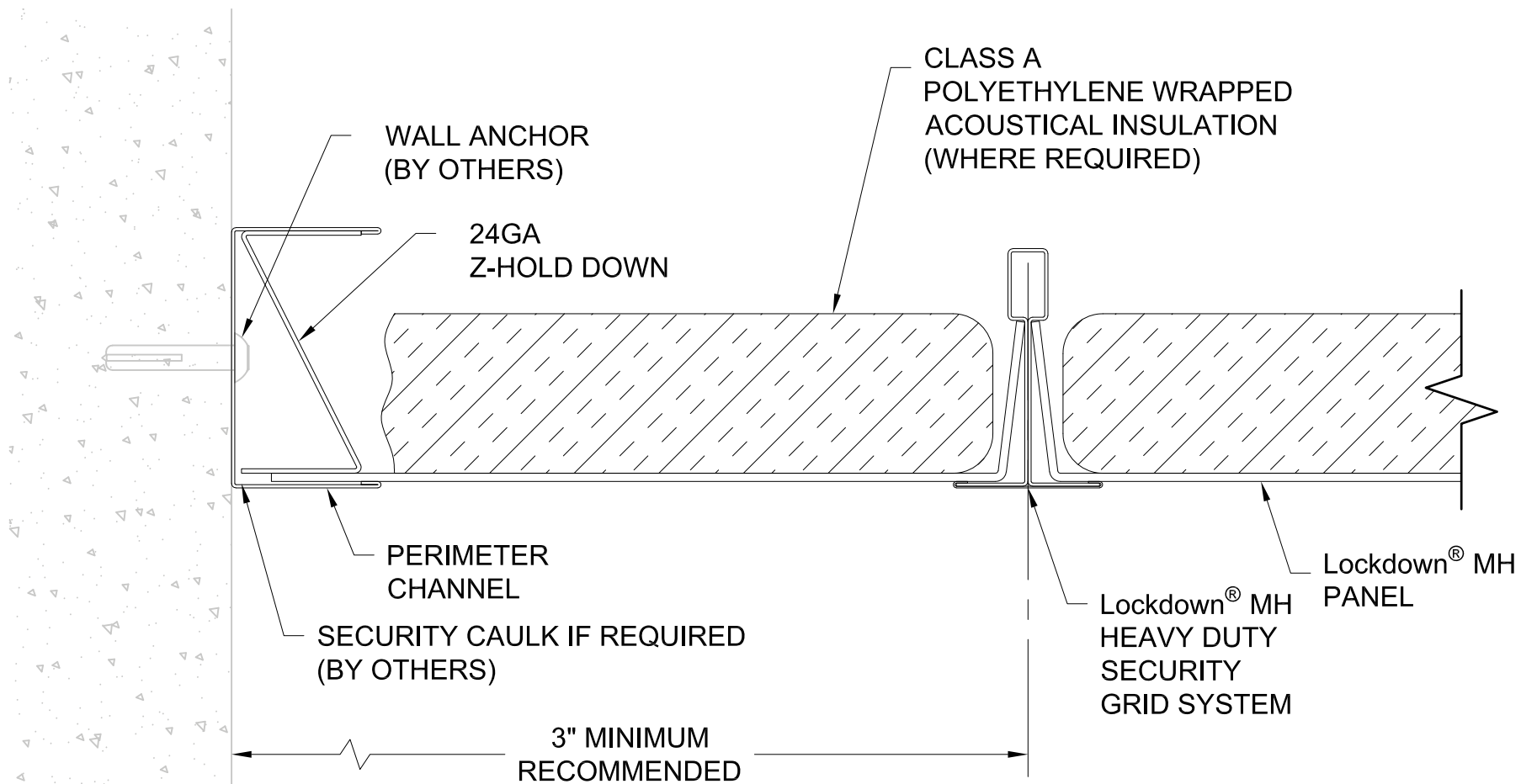




2' X 2' AND 2' X 4'  
SIZES AVAILABLE

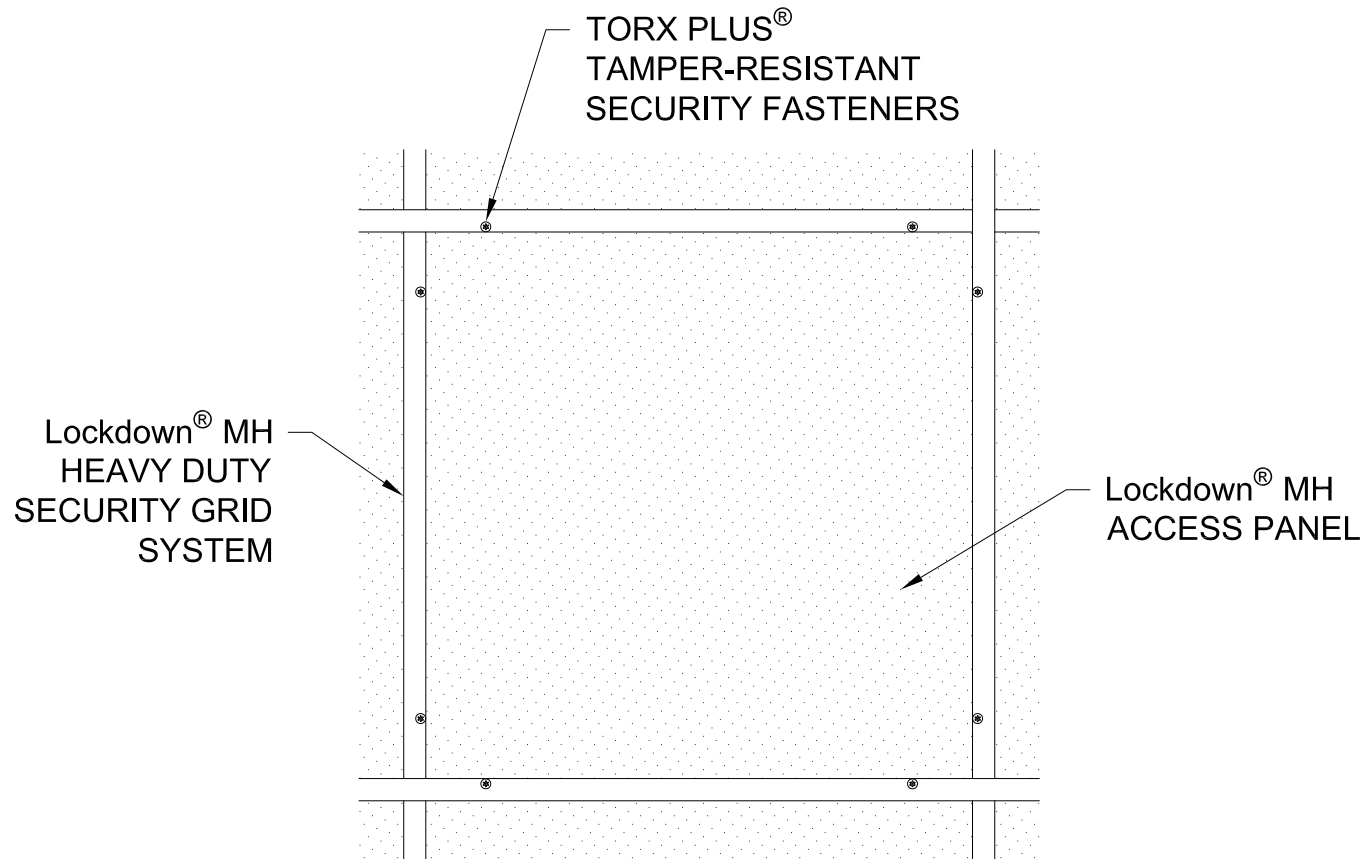
**GORDON**® ARCHITECTURAL+ENGINEERED SOLUTIONS  
 5023 Hazel Jones Rd.  
 Bossier City, LA 71111  
 800.747.8954  
 GORDON-INC.COM  
 sales@gordon-inc.com

MENTAL HEALTH CEILINGS  
 Lockdown® MH  
 BACKER PANEL SECTION



**GORDON** ARCHITECTURAL+ENGINEERED SOLUTIONS  
 5023 Hazel Jones Rd.  
 Bossier City, LA 71111  
 800.747.8954  
 GORDON-INC.COM  
 sales@gordon-inc.com

MENTAL HEALTH CEILINGS  
 Lockdown® MH  
 PERIMETER SECTION



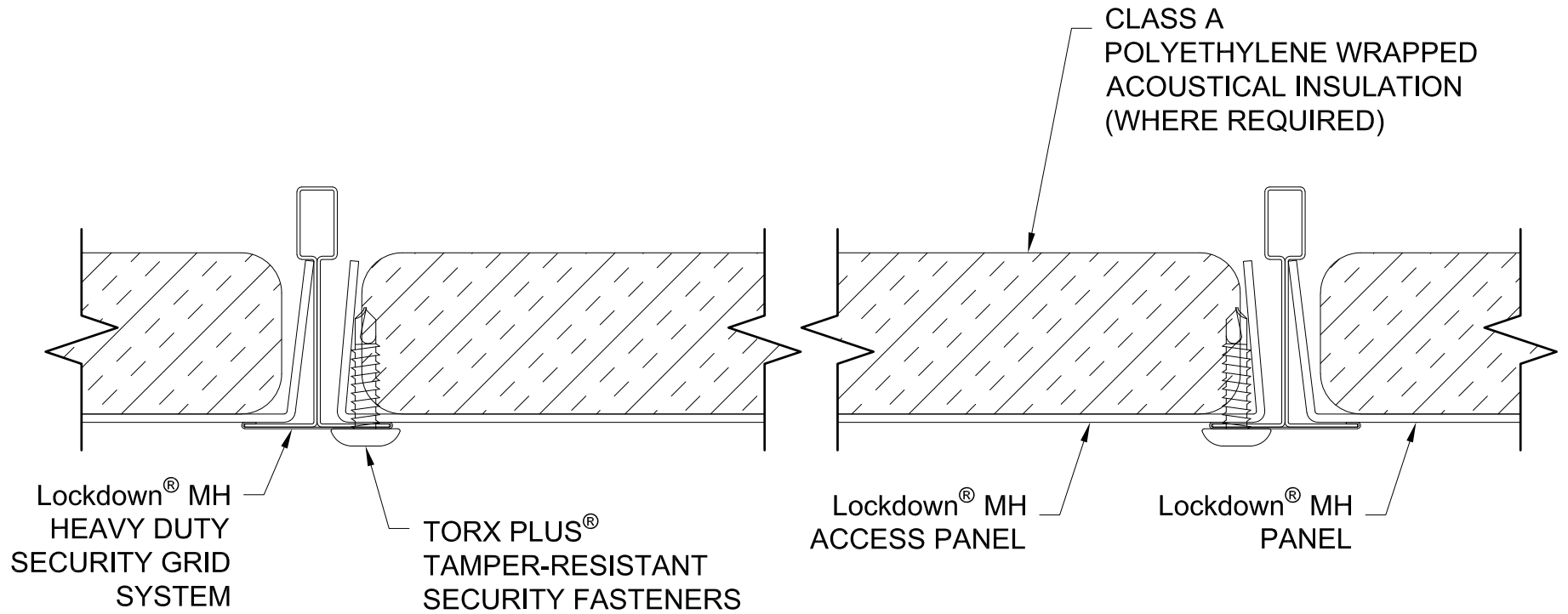
TORX PLUS® IS A REGISTERED TRADEMARK OF  
ACUMENT INTELLECTUAL PROPERTIES, LLC

2' X 2' SHOWN  
2' X 4' ALSO AVAILABLE

**GORDON**®  
ARCHITECTURAL+ENGINEERED SOLUTIONS

5023 Hazel Jones Rd.  
Bossier City, LA 71111  
800.747.8954  
GORDON-INC.COM  
sales@gordon-inc.com

MENTAL HEALTH CEILINGS  
Lockdown® MH  
ACCESS PANEL - FACE VIEW



TORX PLUS® IS A REGISTERED TRADEMARK OF  
ACUMENT INTELLECTUAL PROPERTIES, LLC

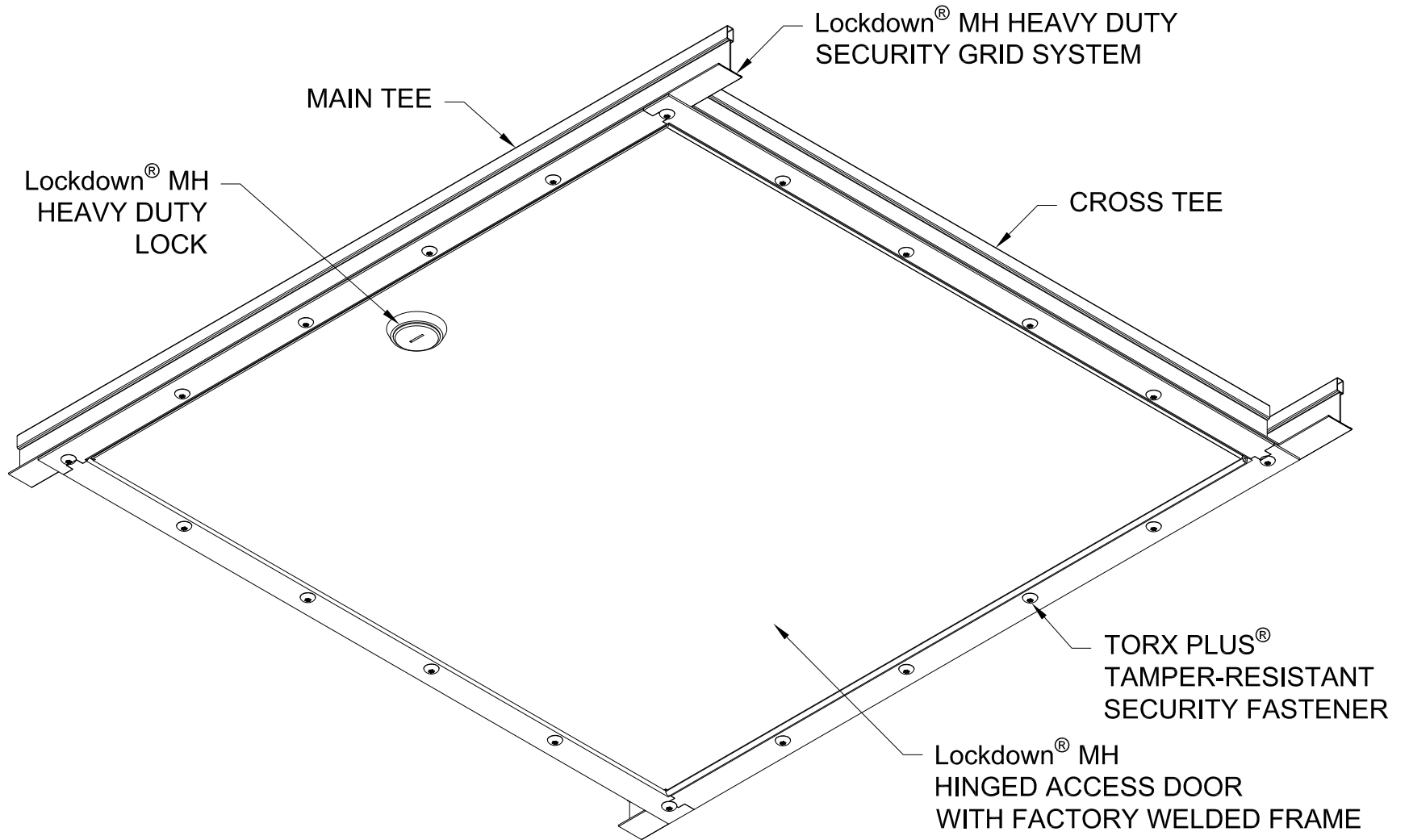
2' X 2' AND 2' X 4'  
SIZES AVAILABLE

**GORDON**®  
ARCHITECTURAL+ENGINEERED SOLUTIONS

5023 Hazel Jones Rd.  
Bossier City, LA 71111  
800.747.8954  
GORDON-INC.COM  
sales@gordon-inc.com

MENTAL HEALTH CEILINGS  
Lockdown® MH  
ACCESS PANEL SECTION



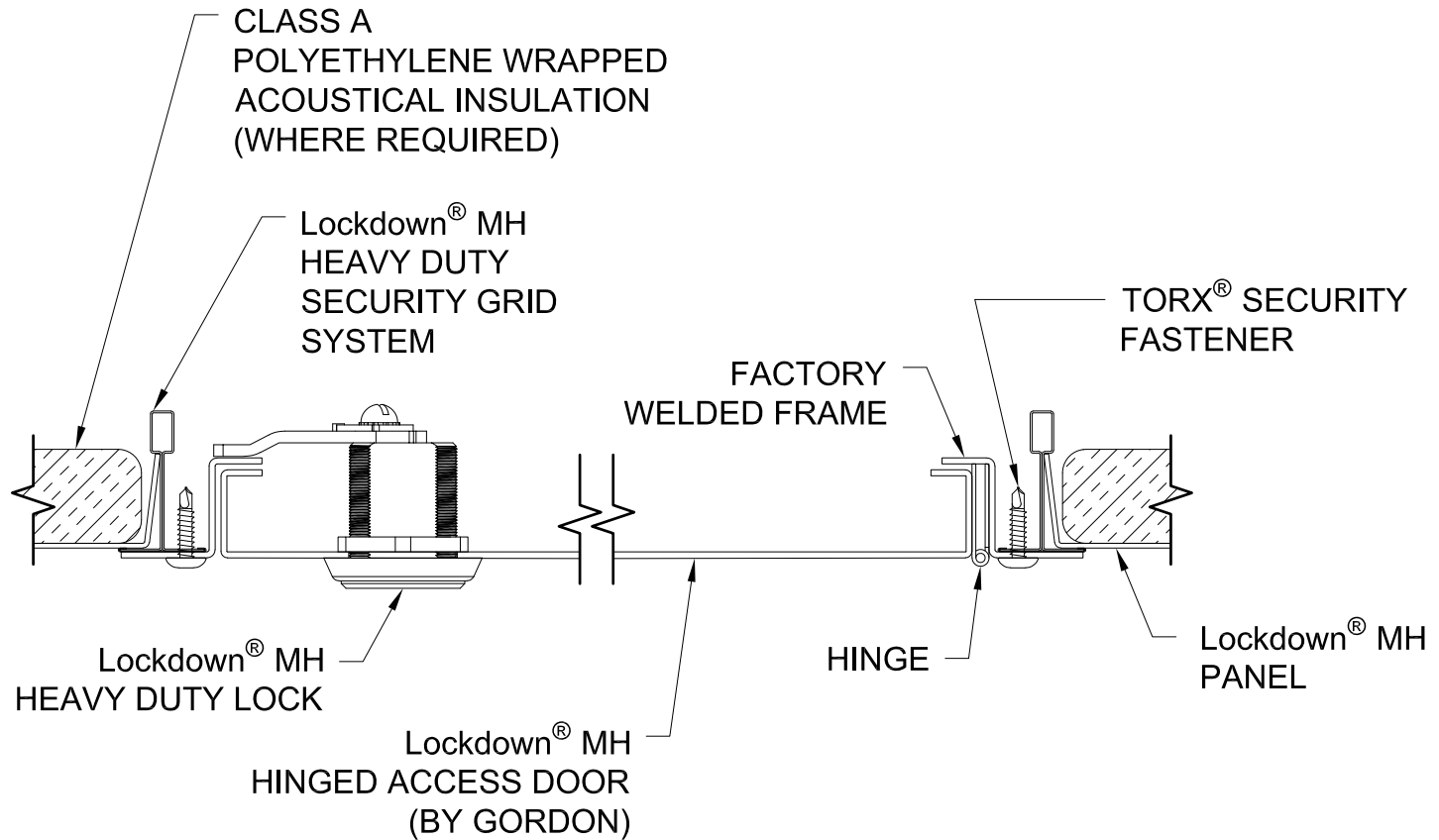


TORX PLUS® IS A REGISTERED TRADEMARK OF  
ACUMENT INTELLECTUAL PROPERTIES, LLC

2' X 2' SHOWN  
2' X 4' ALSO AVAILABLE

**GORDON**® ARCHITECTURAL+ENGINEERED SOLUTIONS  
5023 Hazel Jones Rd.  
Bossier City, LA 71111  
800.747.8954  
GORDON-INC.COM  
sales@gordon-inc.com

MENTAL HEALTH CEILINGS  
Lockdown® MH  
ACCESS DOOR ISOMETRIC



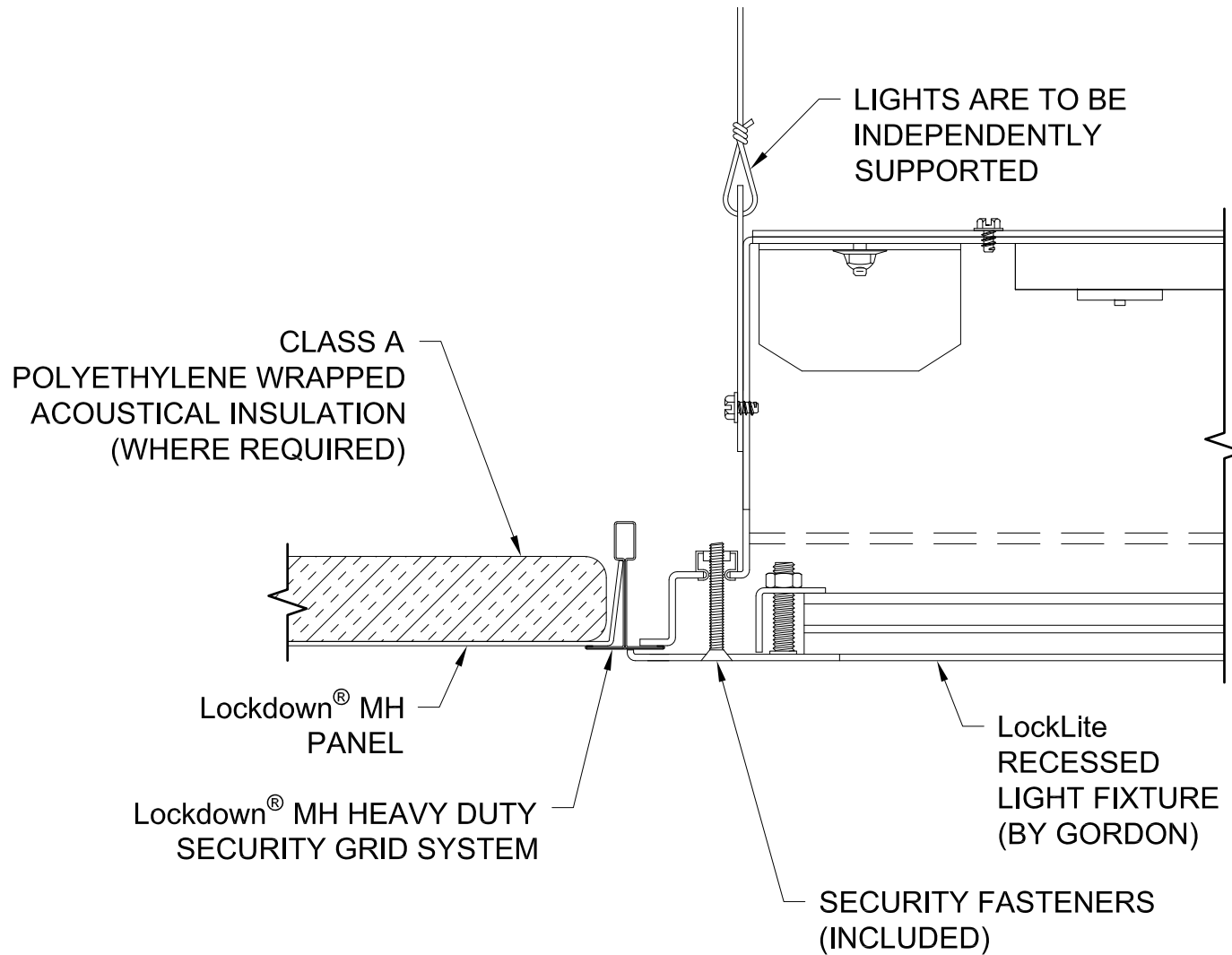
TORX® IS A REGISTERED  
TRADEMARK OF CAMCAR

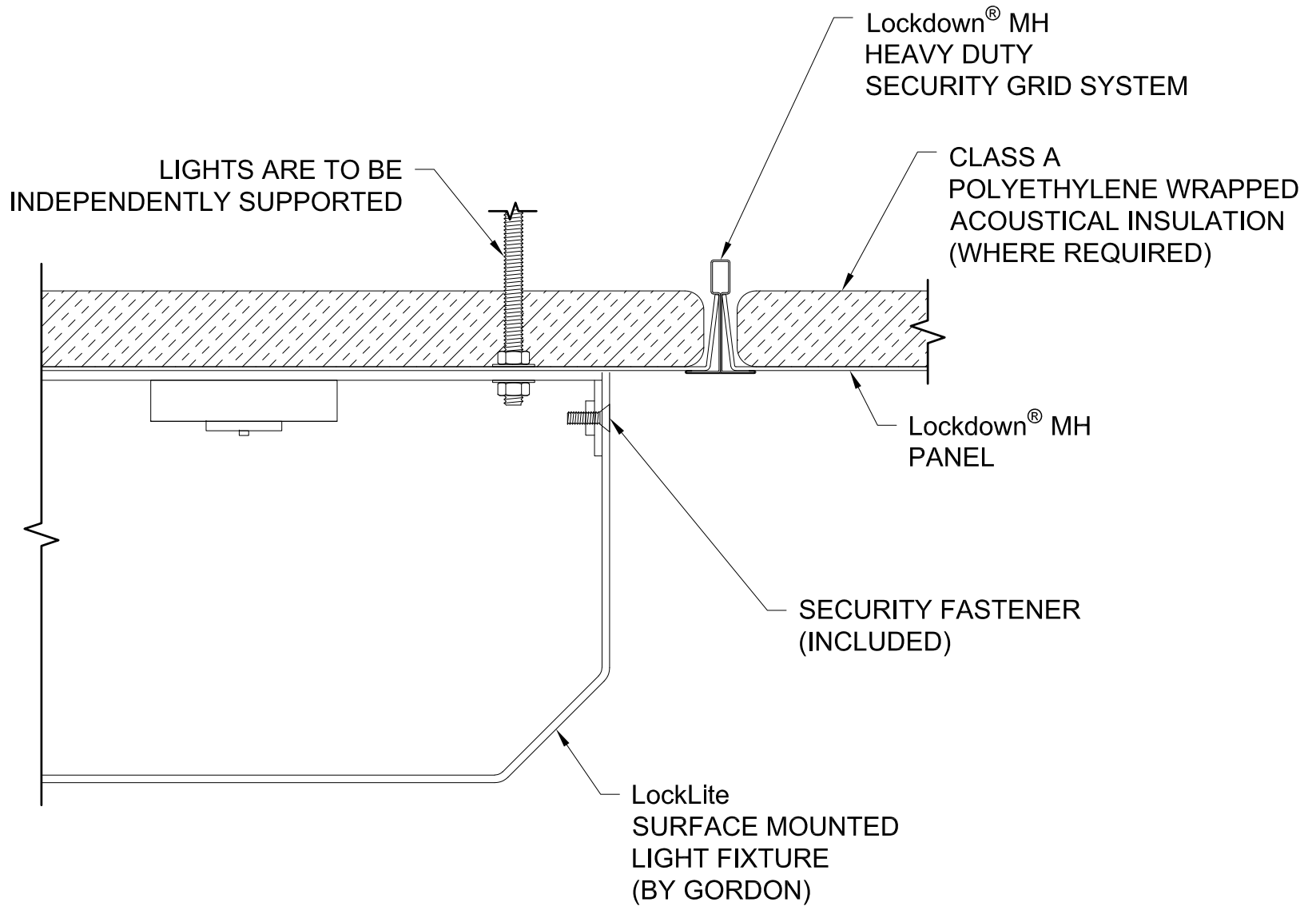
2' X 2' AND 2' X 4'  
SIZES AVAILABLE

**GORDON**®  
ARCHITECTURAL+ENGINEERED SOLUTIONS

5023 Hazel Jones Rd.  
Bossier City, LA 71111  
800.747.8954  
GORDON-HNC.COM  
sales@gordon-inc.com

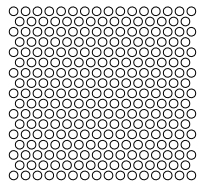
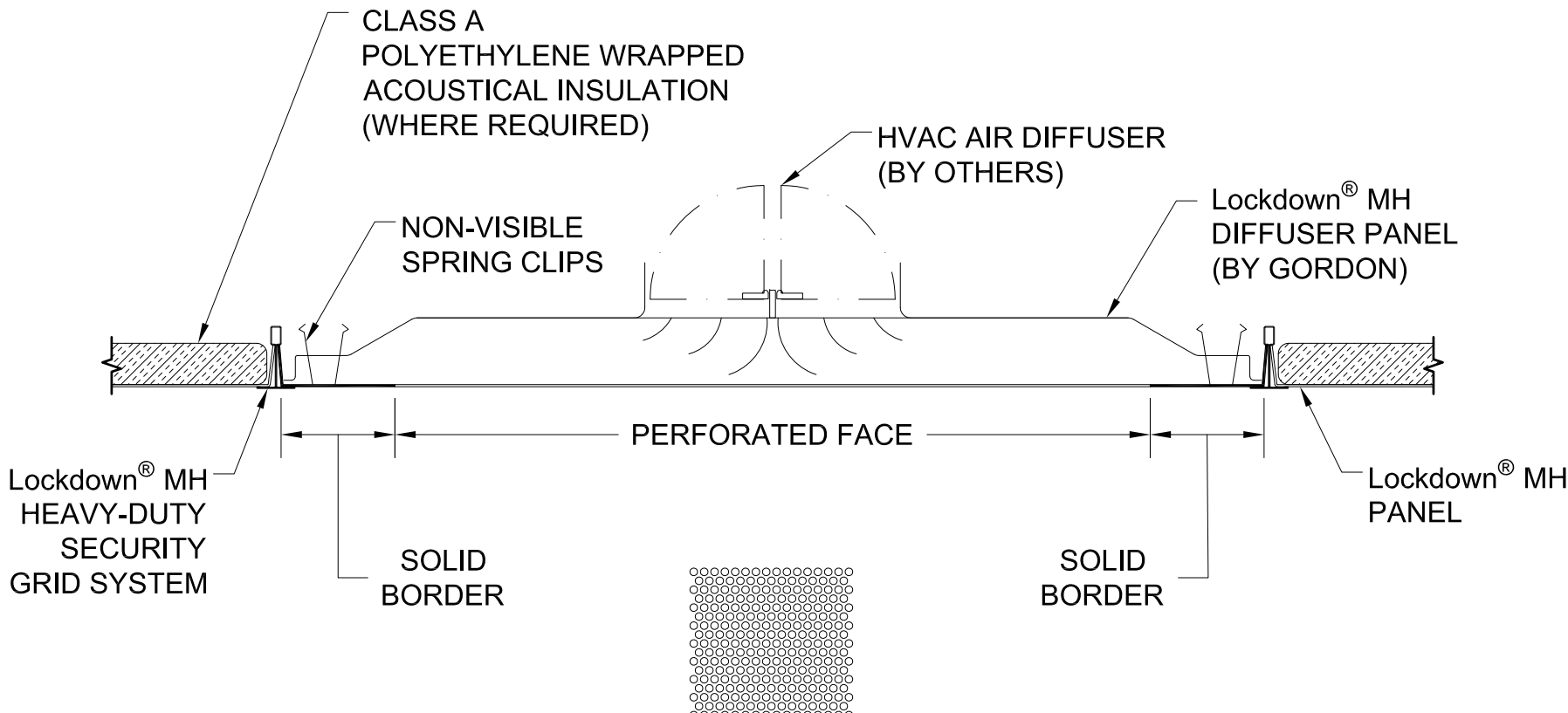
MENTAL HEALTH CEILING  
Lockdown® MH  
ACCESS DOOR SECTION





**GORDON**® ARCHITECTURAL+ENGINEERED SOLUTIONS  
 5023 Hazel Jones Rd.  
 Bossier City, LA 71111  
 800.747.8954  
 GORDON-INC.COM  
 sales@gordon-inc.com

MENTAL HEALTH CEILINGS  
 Lockdown® MH  
 SURFACE LIGHT SECTION



DIFFUSER PANEL PERFORATION PATTERN  
3/16" HOLES ON 1/4" STAGGERED CENTERS  
50% OPEN AREA

OTHER PERFORATION PATTERNS ARE AVAILABLE  
 (CONTACT FACTORY)

**GORDON**® ARCHITECTURAL+ENGINEERED SOLUTIONS  
 5023 Hazel Jones Rd.  
 Bossier City, LA 71111  
 800.747.8954  
 GORDON-INC.COM  
 sales@gordon-inc.com

MENTAL HEALTH CEILINGS  
 Lockdown® MH  
 HVAC DIFFUSER SECTION