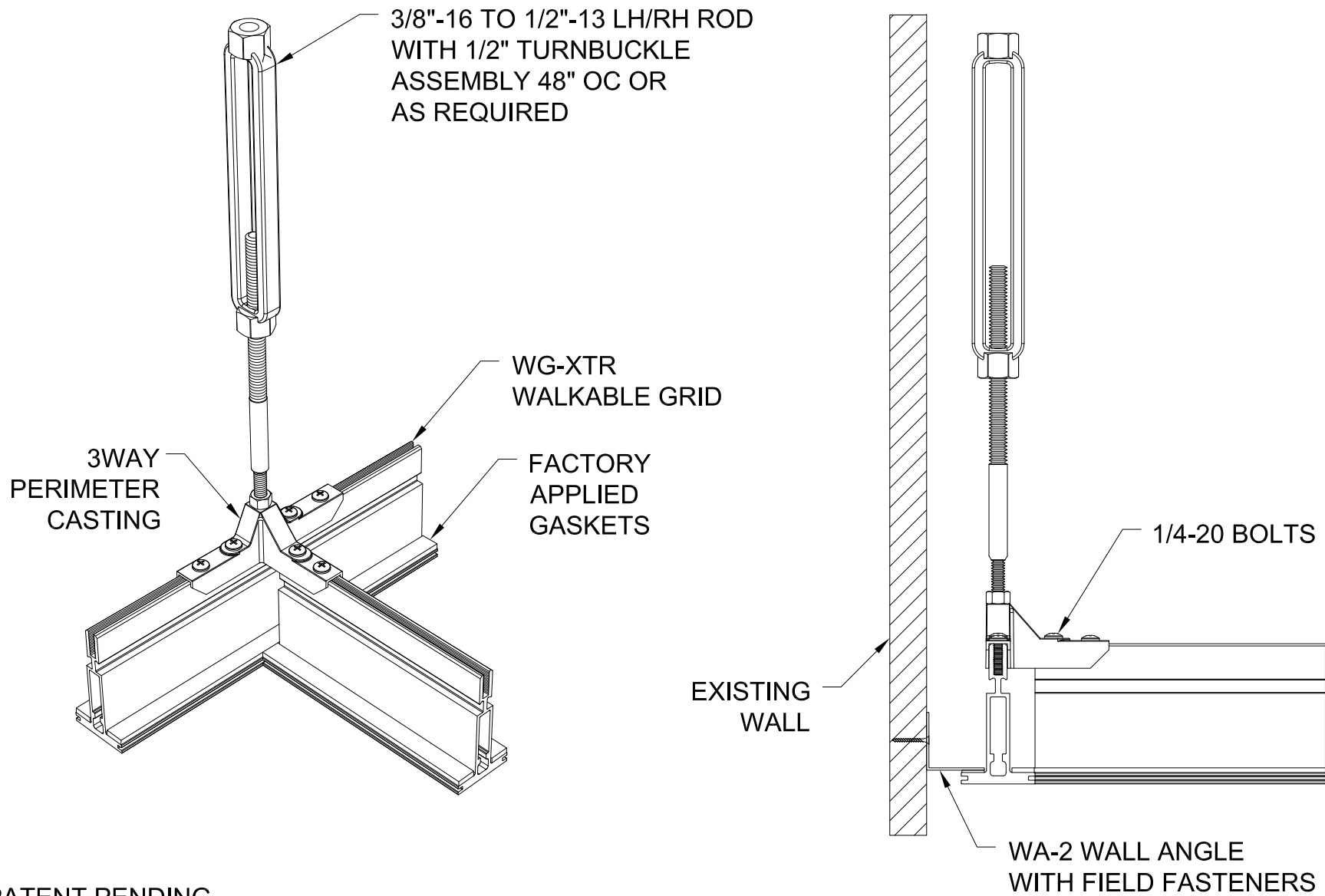


PATENT PENDING

GORDON
ARCHITECTURAL+ENGINEERED SOLUTIONS

5023 Hazel Jones Rd.
Bossier City, LA 71111
800.747.8954
GORDON-INC.COM
sales@gordon-inc.com

CLEANROOM CEILINGS
SUSPENSION - WALKABLE - WG-XTR
GRID ISOMETRIC



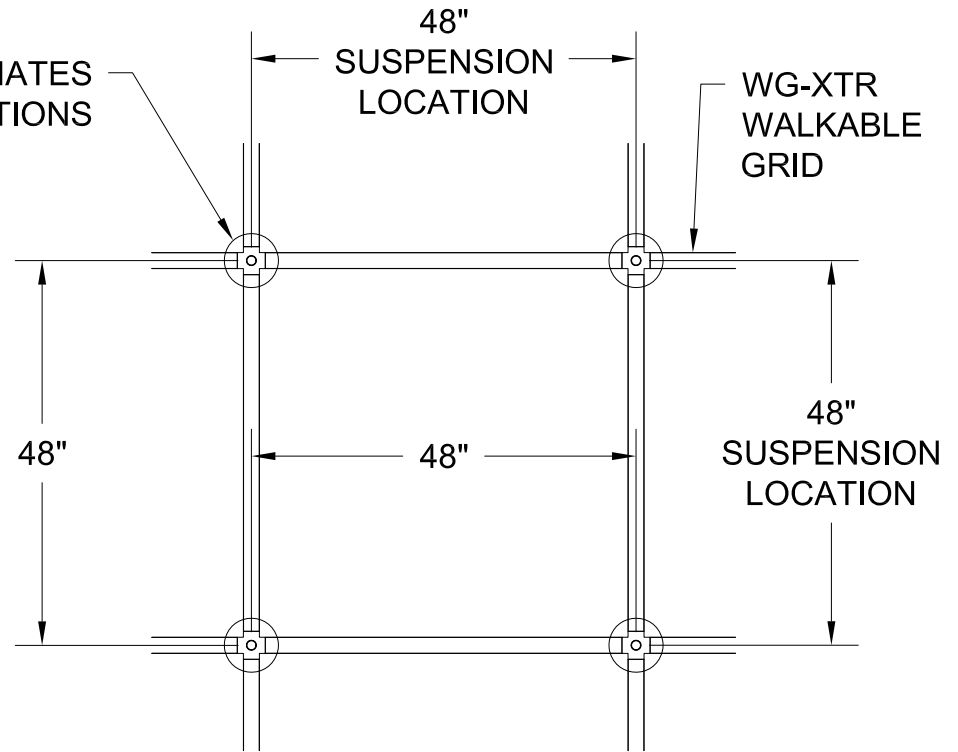
PATENT PENDING

GORDON
ARCHITECTURAL+ENGINEERED SOLUTIONS

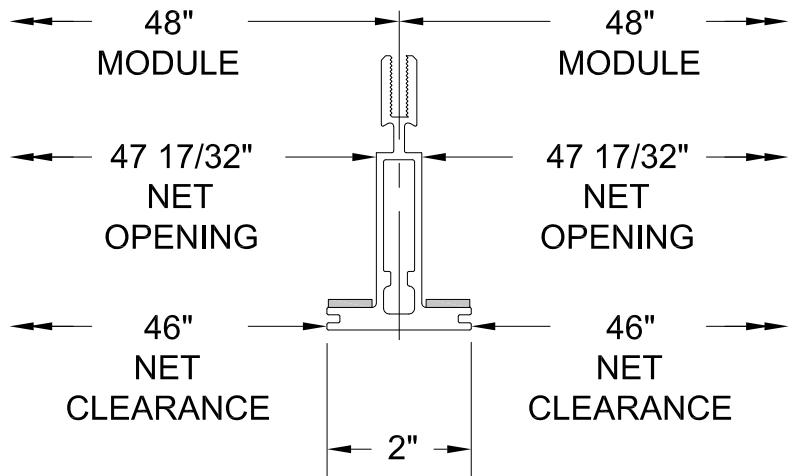
5023 Hazel Jones Rd.
Bossier City, LA 71111
800.747.8954
GORDON-INC.COM
sales@gordon-inc.com

CLEANROOM CEILINGS
SUSPENSION - WALKABLE - WG-XTR
3-WAY PERIMETER DETAIL

CIRCLE DESIGNATES
SUSPENSION LOCATIONS

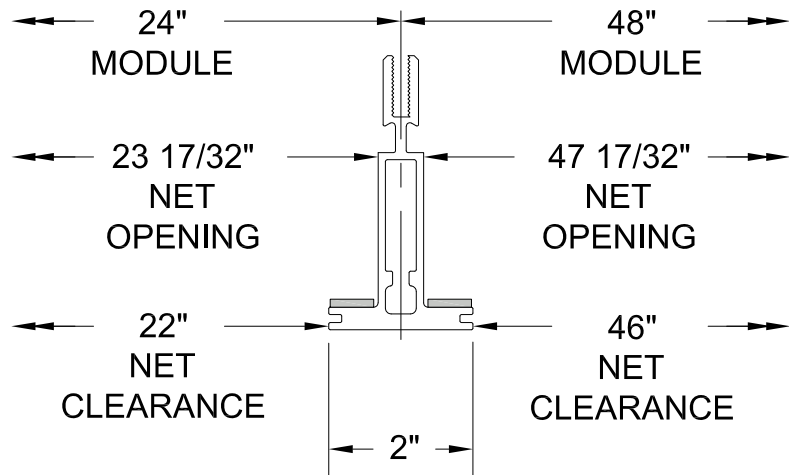


TYPICAL GRID PLAN



MODULE SIZING (NOT TO SCALE)
FILTERS/FIXTURES DIMENSIONS
ARE TYPICALLY MODULE SIZE LESS 7/8" (MAXIMUM O.D.)

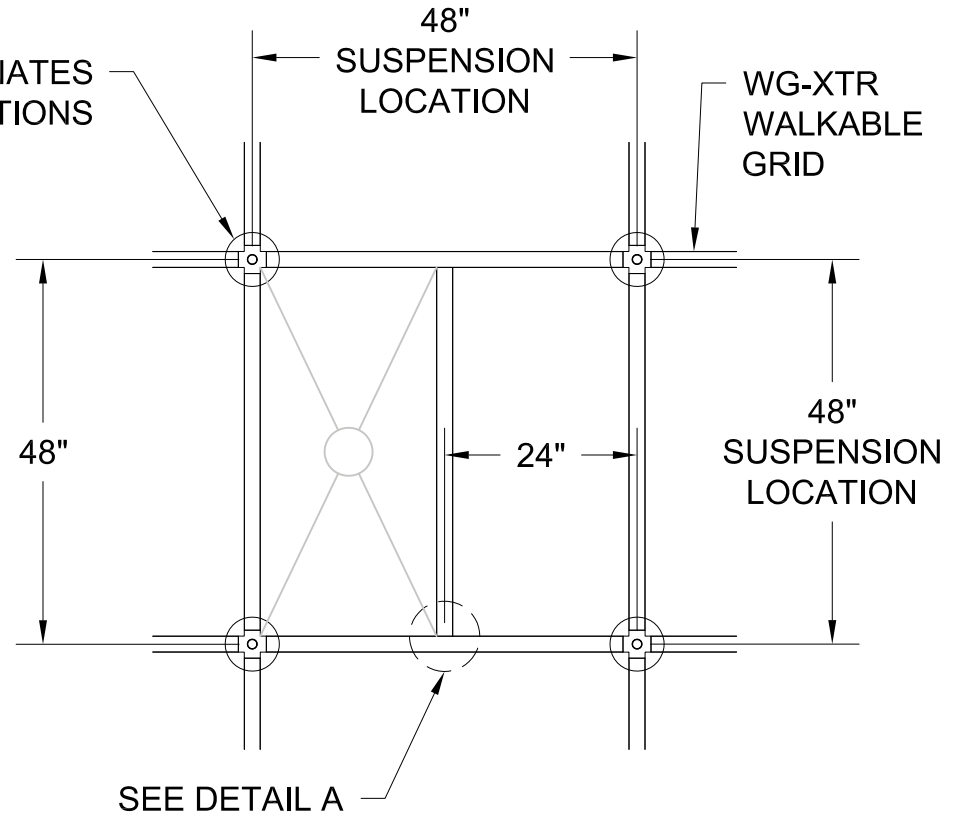
PATENT PENDING



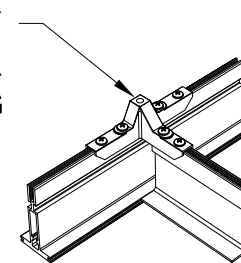
MODULE SIZING (NOT TO SCALE)
 FILTERS/FIXTURES DIMENSIONS
 ARE TYPICALLY MODULE SIZE LESS 7/8" (MAXIMUM O.D.)

PATENT PENDING

CIRCLE DESIGNATES
SUSPENSION LOCATIONS



3WAY
PERIMETER
CASTING



DETAIL A
(FOR INSTALLING FIXTURES)

WG-XTR
WALKABLE
GRID

48"
SUSPENSION
LOCATION

WG-XTR
WALKABLE
GRID

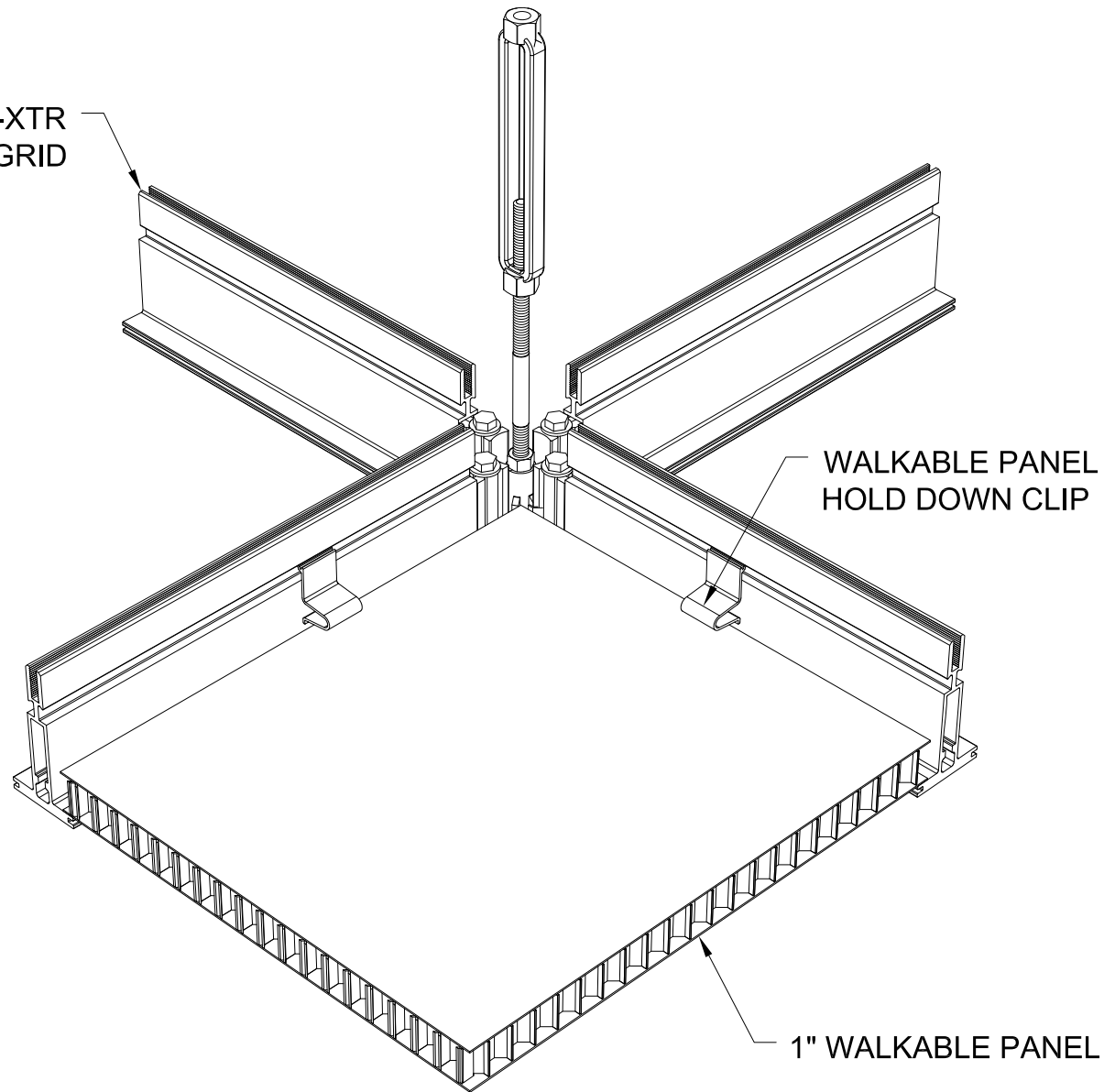
WG-XTR
CROSS TEE

GORDON
ARCHITECTURAL+ENGINEERED SOLUTIONS

5023 Hazel Jones Rd.
 Bossier City, LA 71111
 800.747.8954
 GORDON-INC.COM
 sales@gordon-inc.com

CLEANROOM CEILINGS
 SUSPENSION - WALKABLE - WG-XTR
 24" / 48" GRID PLAN

WG-XTR
WALKABLE GRID



WALKABLE PANEL
HOLD DOWN CLIP

1" WALKABLE PANEL

PATENT PENDING

GORDON®
ARCHITECTURAL+ENGINEERED SOLUTIONS

5023 Hazel Jones Rd.
Bossier City, LA 71111
800.747.8954
GORDON-INC.COM
sales@gordon-inc.com

CLEANROOM CEILINGS
SUSPENSION - WALKABLE - WG-XTR
WALKABLE PANEL DETAIL

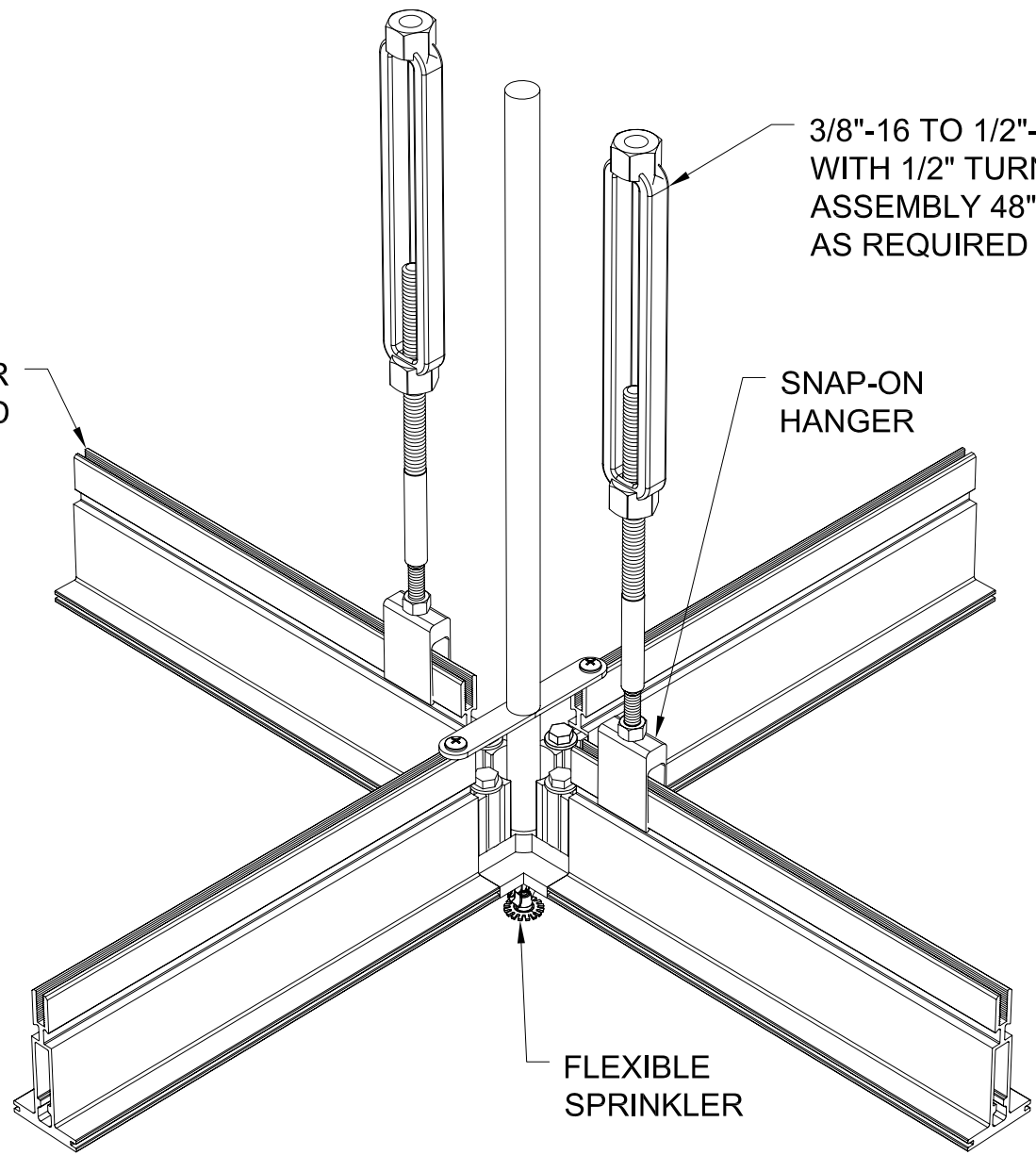
WG-XTR
WALKABLE GRID

3/8"-16 TO 1/2"-13 LH/RH ROD
WITH 1/2" TURNBUCKLE
ASSEMBLY 48" OC OR
AS REQUIRED

SNAP-ON
HANGER

FLEXIBLE
SPRINKLER

PATENT PENDING



GORDON®
ARCHITECTURAL+ENGINEERED SOLUTIONS

5023 Hazel Jones Rd.
Bossier City, LA 71111
800.747.8954
GORDON-INC.COM
sales@gordon-inc.com

CLEANROOM CEILINGS
SUSPENSION - WALKABLE - WG-XTR
FLEXIBLE SPRINKLER DETAIL