

GENERAL SPECIFICATIONS

1. PRE-FILTER FRAME: TOP HOUSING FABRICATED FROM POWDER COATED GALVANIZED STEEL. SIDES AND ENDS ARE EXTRUDED ALUMINUM.
2. MOTOR / BLOWER: 1/3 HP ECM TRI-VOLTAGE MOTOR; CAN BE WIRED FOR 115/240/277 VAC / 10" FORWARD CURVE CENTRIFUGAL BLOWER
3. FILTER: HEPA FILTER; 3" HEIGHT WITH ANODIZED ALUMINUM FRAME; GEL CHANNEL FOR HOUSING / FILTER SEAL
4. PRE-FILTER: MERV 4 FIBERGLASS, NOMINAL 20" X 20" X 1"
5. FAN SPEED CONTROL: VARIABLE SPEED CONTROL / DIGITAL READOUT - RPM / FLOW INDEX
6. LINE CONNECTION: PER NEC CODE
7. FACE SCREEN: POWDER COATED ALUMINUM, 1/8" HOLES ON 3/16" STG CENTERS
8. HANGING PROVISION: 1/4-20 THREADS PROVIDED IN TOP (4) CORNERS FOR SUSPENSION WITH THREADED ROD OR EYE BOLTS WITH CHAIN.
9. EACH MODULE IS FACTORY TESTED AND PROVIDED WITH A QUALITY CHECK FORM.
10. EACH MODULE IS INDIVIDUALLY CARTONED FOR PROTECTION DURING SHIPPING.

OPTIONS

MOTOR CONTROL:

- MODBUS PROTOCOL CARD (INSTEAD OF VSC)

HEPA FILTER:

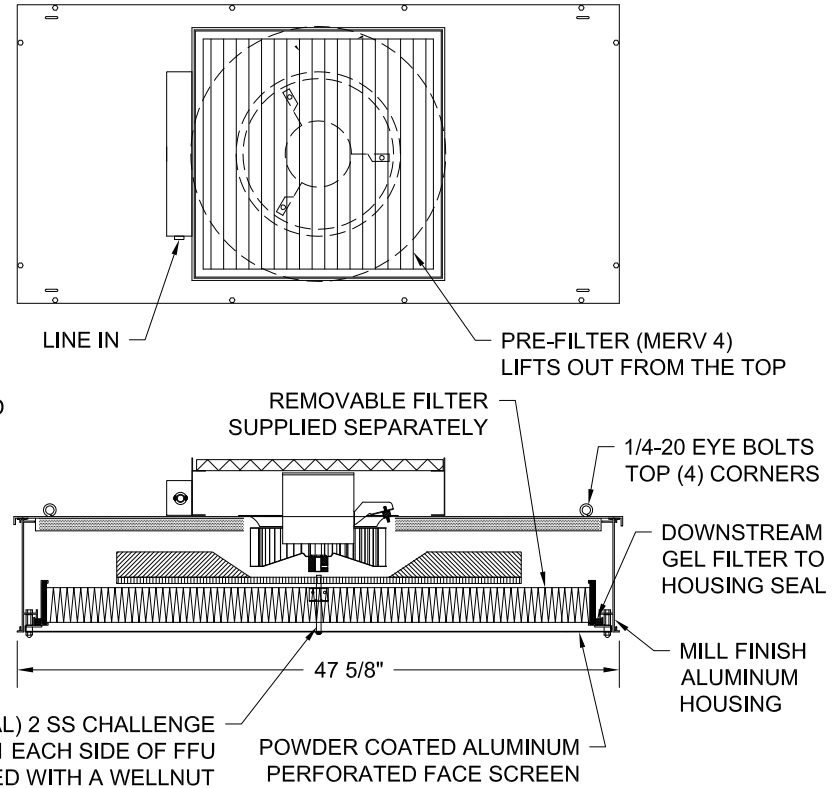
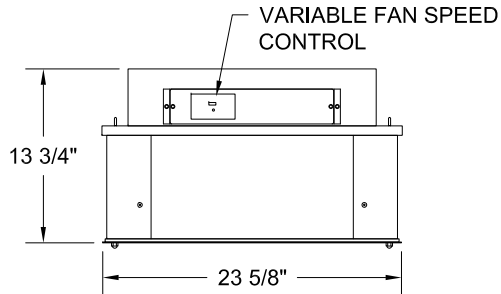
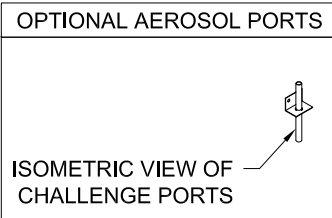
- 99.99% EFF @ .3 MICRONS
- 99.9995% EFF ULPA @ .12 MICRONS

ACCESSORIES:

- A/C DUCT COLLAR

SPECIAL DIMENSIONS:

- 23" X 47" (FOR USE IN ROD-SUSPENDED CLEANROOM CEILINGS 2'0" X 4'0" O.C.)



THE DESIGN AND CONCEPTS REPRESENTED BY THIS PRINT AND ACCOMPANYING DOCUMENTS ARE THE SOLE PROPERTY OF GORDON, INC. AND MAY NOT BE USED, COPIED, OR REPRODUCED WITHOUT PRIOR WRITTEN CONSENT OF SAID OFFICE.



5023 Hazel Jones Rd.
Bossier City, LA 71111
800.747.8954
GORDON4INC.COM
sales@gordon-inc.com

SALES CODE	SHEET TITLE	RUNS:		QUANTITY:	
SALES DIE #	2X4 R2F PHANTOM WITH ECM	SHEET	SALES ORDER	PATH & DRAWING NUMBER	
ARCHITECT	JOB NAME	1 of 1		G:\IT\WEBSITE GRAPHICS\CHECKED IN	
CUSTOMER				R2F-ECM-PHANTOM-2X4	
COMP DATE	DRAWN BY	APRVD BY	REL DATE	DRAWING SCALE	PLOTTED SCALE
08/07/19	DS	CE	08/09/19	AS NOTED	1:1
				SOFTWARE USED	REVISION
				AutoCAD	-