

**GENERAL SPECIFICATIONS**

1. PRE-FILTER FRAME: TOP HOUSING AND SIDES ARE FABRICATED FROM GALVANIZED STEEL.
2. MOTOR / BLOWER: 1/3 HP ECM TRI-VOLTAGE MOTOR; CAN BE WIRED FOR 115/240/277 VAC / 10" FORWARD CURVE CENTRIFUGAL BLOWER
3. FILTER: HEPA, 2" MEDIA PACK WITH 3" ANODIZED ALUMINUM FRAME
4. PRE-FILTER: MERV 4 FIBERGLASS, NOMINAL 20" X 20" X 1"
5. FAN SPEED CONTROL: VARIABLE SPEED CONTROL / DIGITAL READOUT - RPM / FLOW INDEX
6. LINE CONNECTION: PER NEC CODE
7. FACE SCREEN: ANODIZED ALUMINUM, 1/8" HOLES ON 1/4" STG CENTERS, TO PROVIDE AIR FLOW UNIFORMITY AND PROTECT FILTER MEDIA.
8. HANGING PROVISION: 1/4-20 THREADS PROVIDED IN TOP (4) CORNERS FOR SUSPENSION WITH THREADED ROD OR EYE BOLTS WITH CHAIN.
9. EACH MODULE IS FACTORY TESTED AND PROVIDED WITH A QUALITY CHECK FORM.
10. EACH MODULE IS INDIVIDUALLY CARTONED FOR PROTECTION DURING SHIPPING.

**OPTIONS**

**HOUSING FINISH:**

- MILL (STANDARD)
- POWDER COATED

**MOTOR CONTROL:**

- MODBUS PROTOCOL CARD (INSTEAD OF VSC)

**HEPA FILTER:**

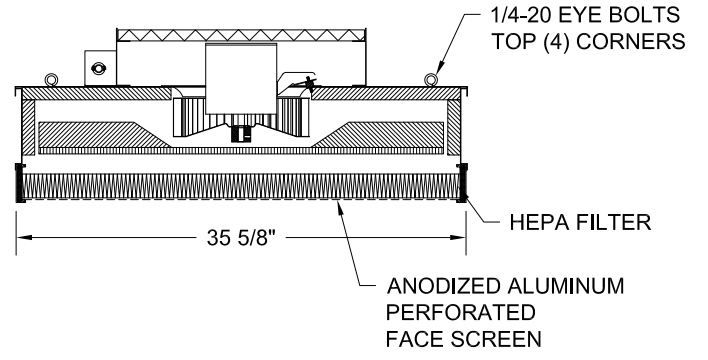
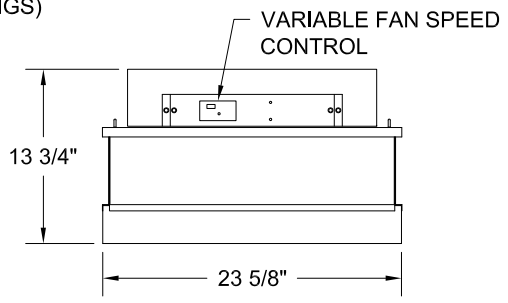
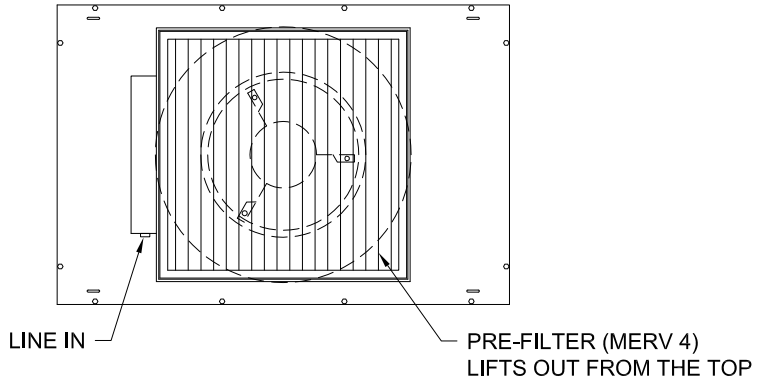
- 99.99% EFF @ .3 MICRONS
- 99.9995% EFF ULPA @ .12 MICRONS
- KNIFE EDGE (FOR USE W/GEL GRID CEILINGS)
- PTFE FILTER MEDIA

**ACCESSORIES:**

- A/C DUCT COLLAR

**SPECIAL DIMENSIONS:**

- 23" X 35" (FOR USE IN ROD-SUSPENDED CLEANROOM CEILINGS 2'0" X 3'0" O.C.)



THE DESIGN AND CONCEPTS REPRESENTED BY THIS PRINT AND ACCOMPANYING DOCUMENTS ARE THE SOLE PROPERTY OF GORDON, INC. AND MAY NOT BE USED, COPIED, OR REPRODUCED WITHOUT PRIOR WRITTEN CONSENT OF SAID OFFICE.



5023 Hazel Jones Rd.  
Bossier City, LA 71111  
800.747.8954  
GORDON4INC.COM  
sales@gordon-inc.com

SALES CODE  
SALES DIE #  
ARCHITECT

SHEET TITLE  
**2X3 ECM PHANTOM**  
JOB NAME

RUNS: QUANTITY:  
SHEET: 1 of 1  
SALES ORDER  
PATH & DRAWING NUMBER  
G:\IT\WEBSITE GRAPHICS\CHECKED IN  
ECM-PHANTOM-2X3

CUSTOMER  
COMP DATE: 08/07/19  
DRAWN BY: DS  
APRVD BY: CE  
REL DATE: 08/09/19  
DRAWING SCALE: AS NOTED  
PLOTTED SCALE: 1:1  
SOFTWARE USED: AutoCAD  
REVISION: -