

GENERAL SPECIFICATIONS

1. PRE-FILTER FRAME: TOP HOUSING AND SIDES ARE FABRICATED FROM GALVANIZED STEEL.
2. MOTOR / BLOWER: 1/4 HP 3 SPEED (HI/MED/LO); PERMANENT SPLIT CAPACITOR / 10" FORWARD CURVE CENTRIFUGAL BLOWER
3. FILTER: HEPA, 2" MEDIA PACK WITH 3" ANODIZED ALUMINUM FRAME
4. PRE-FILTER: MERV 4 FIBERGLASS, NOMINAL 20" X 20" X 1"
5. FAN SPEED CONTROL: OFF/3 SPEED SWITCH (LOW/MED/HIGH)
6. LINE CONNECTION: PER NEC CODE
7. FACE SCREEN: ANODIZED ALUMINUM, 1/8" HOLES ON 1/4" STG CENTERS, TO PROVIDE AIR FLOW UNIFORMITY AND PROTECT FILTER MEDIA.
8. HANGING PROVISION: 1/4-20 THREADS PROVIDED IN TOP (4) CORNERS FOR SUSPENSION WITH THREADED ROD OR EYE BOLTS WITH CHAIN.
9. EACH MODULE IS FACTORY TESTED AND PROVIDED WITH A QUALITY CHECK FORM.
10. EACH MODULE IS INDIVIDUALLY CARTONED FOR PROTECTION DURING SHIPPING.

OPTIONS

HOUSING FINISH:

- MILL (STANDARD)
- POWDER COATED

MOTOR VOLTAGE:

- 115/1/60; 3.8 FLA (NAMEPLATE)
- 277/1/60; 1.4 FLA (NAMEPLATE)
- OTHER (CONSULT FACTORY)

HEPA FILTER:

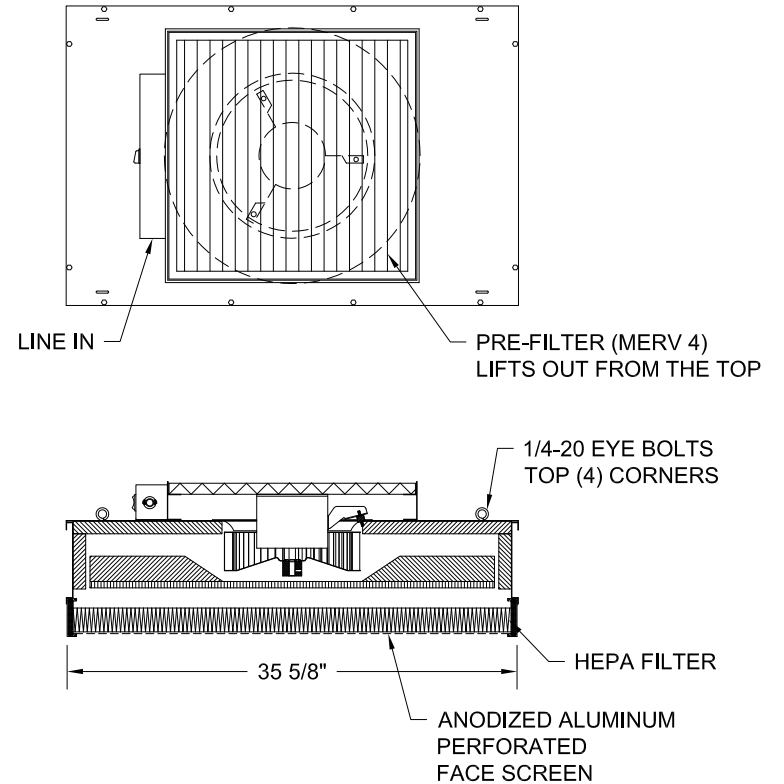
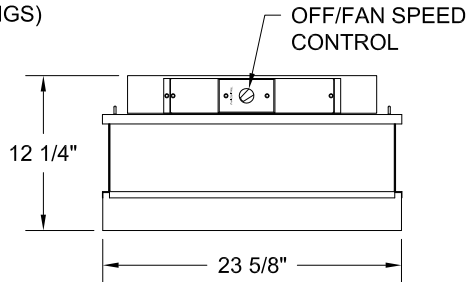
- 99.99% EFF @ .3 MICRONS
- 99.9995% EFF ULPA @ .12 MICRONS
- KNIFE EDGE (FOR USE W/GEL GRID CEILINGS)
- PTFE FILTER MEDIA

ACCESSORIES:

- POWER CORD (12'0"; 3 WIRE; TYPE SJ)
- A/C DUCT COLLAR

SPECIAL DIMENSIONS:

- 23" X 35" (FOR USE IN ROD-SUSPENDED CLEANROOM CEILINGS 2'0" X 3'0" O.C.)



THE DESIGN AND CONCEPTS REPRESENTED BY THIS PRINT AND ACCOMPANYING DOCUMENTS ARE THE SOLE PROPERTY OF GORDON, INC. AND MAY NOT BE USED, COPIED, OR REPRODUCED WITHOUT PRIOR WRITTEN CONSENT OF SAID OFFICE.



5023 Hazel Jones Rd.
Bossier City, LA 71111
800.747.8954
GORDON4INC.COM
sales@gordon-inc.com

SALES CODE		SHEET TITLE		RUNS:		QUANTITY:	
SALES DIE #		2X3 STANDARD PHANTOM		SHEET		PATH & DRAWING NUMBER	
ARCHITECT				1 of 1		G:\IT\WEBSITE GRAPHICS\CHECKED IN	
CUSTOMER		COMP DATE	DRAWN BY	APRVD BY	REL DATE	DRAWING SCALE	PLOTTED SCALE
		08/07/19	DS	CE	08/09/19	AS NOTED	1:1
				SOFTWARE USED		REVISION	
				AutoCAD		-	
				STD-PHANTOM-2X3			